

ITEM NO.	DESCRIPTION	QTY.
1	MonsterFans Style Series MOTOR ASSEMBLY	1
2	MonsterFans Style Series BLACK PP BLADE	5
3	MonsterFans Style Series HUB COVER - BLACK	1
4	MonsterFans Style Series -LED-LIGHT-KIT	1
5	1/4" X 5/8"LG-SERRATED FLANGED HEX HEAD CAP SCREW	20
6	#8-32 X 1 3/8" PAN HEAD PHILLIPS MACHINE SCREW	5

	MATERIAL AS SPECIFIED	COMMENTS:  REVISIONS: 1- removed mount assembly to be assembled with motor assembly	DRAWN: Last Revision Date:	Drawing Date: 10/06/2016 Checked By:	<b>Schwank</b>  <b>MonsterFans Style Series Fan Assembly With Light (7Ft.)</b>					
	FINISH AS SPECIFIED		ENG APPR. Date:	Checked Date:						
	DO NOT SCALE DRAWING		ENG APPR.	MFG APPR.						
	PROPRIETARY AND CONFIDENTIAL		UNLESS OTHERWISE SPECIFIED: DIMENSIONS ARE IN INCHES WEIGHT IS IN POUNDS TOLERANCES: FRACTIONAL ± 1/16 ANGULAR: BUSH = 0.1° BEND ± 0.5° TWO PLACE DECIMAL ± 0.06(1.5mm) THREE PLACE DECIMAL ± 0.03(0.75mm)			Last Saved Date: Friday, April 16, 2021 9:18:39 AM Q.A.				
			<table border="1" style="width: 100%;"> <tr> <td>SIZE DWG. NO.</td> <td>REV</td> </tr> <tr> <td style="font-size: 2em; font-weight: bold;">A</td> <td style="font-size: 2em; font-weight: bold;">0</td> </tr> <tr> <td>SCALE: NTS</td> <td>WEIGHT: lbs</td> </tr> </table>		SIZE DWG. NO.	REV	A	0	SCALE: NTS	WEIGHT: lbs
SIZE DWG. NO.	REV									
A	0									
SCALE: NTS	WEIGHT: lbs									

5

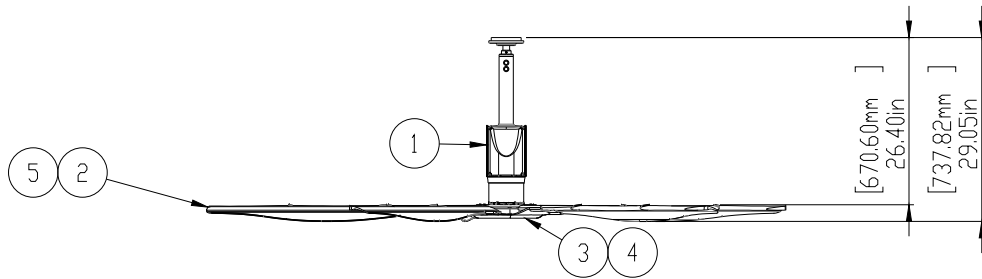
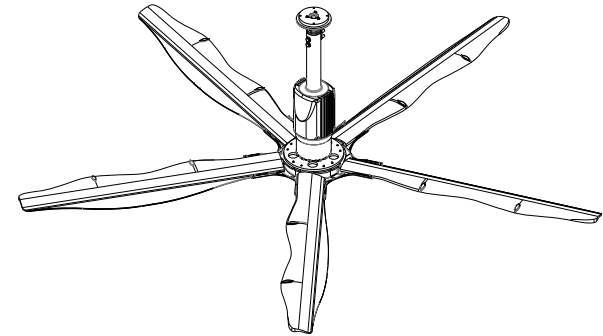
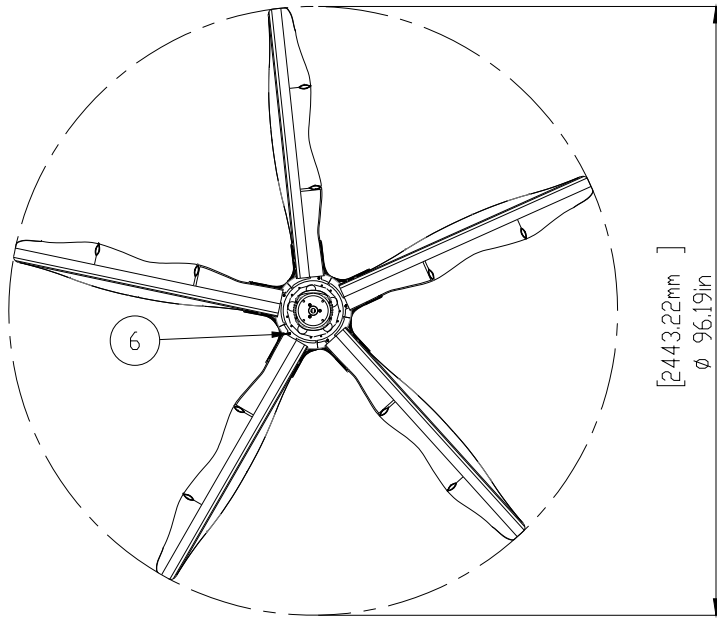
4

3

2

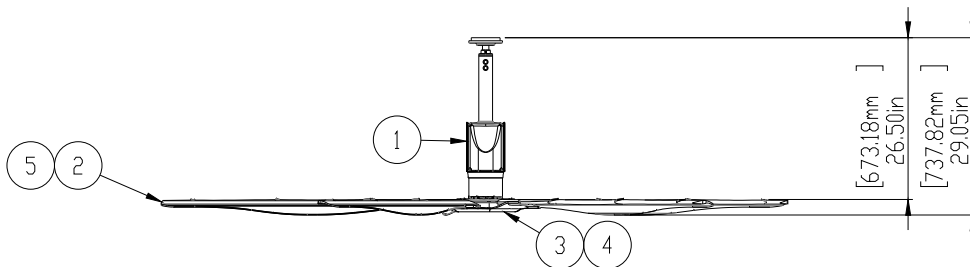
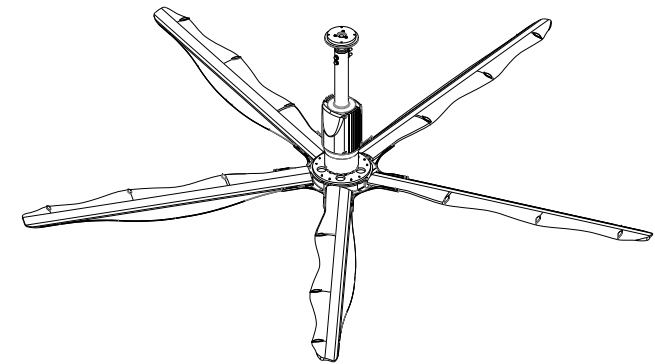
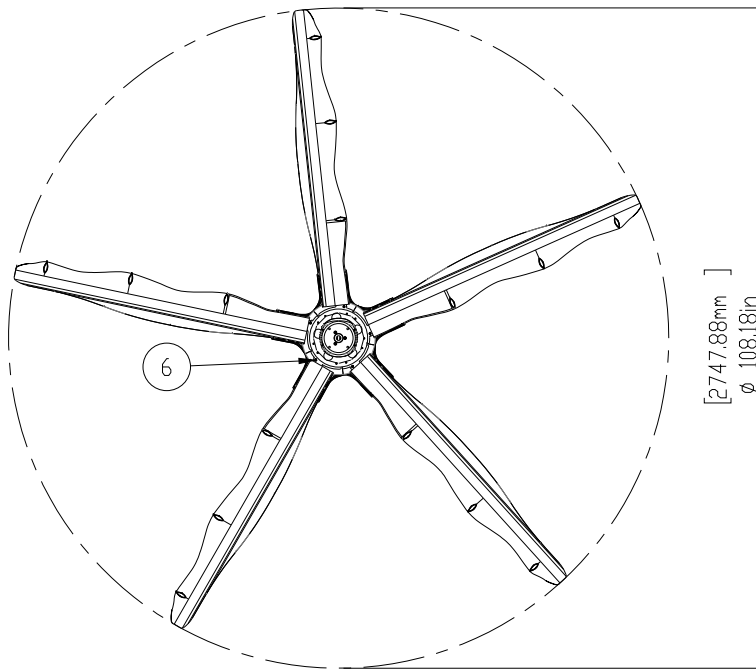
1

SHEET 1 OF 1



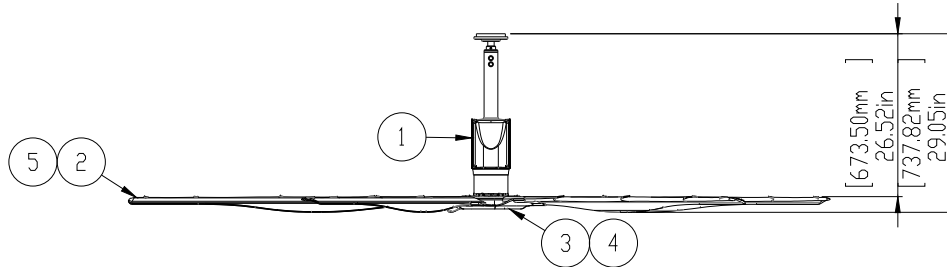
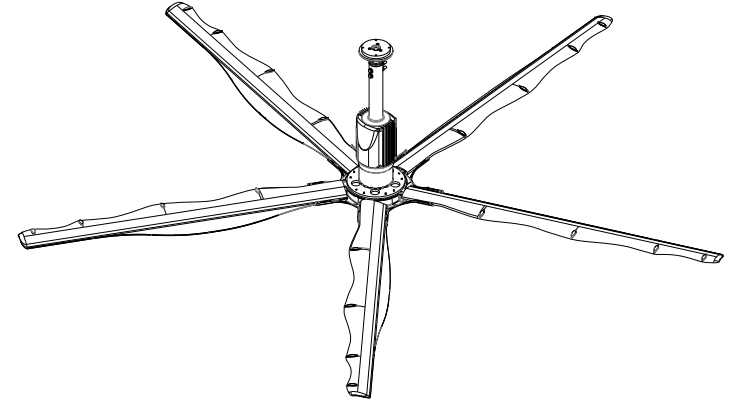
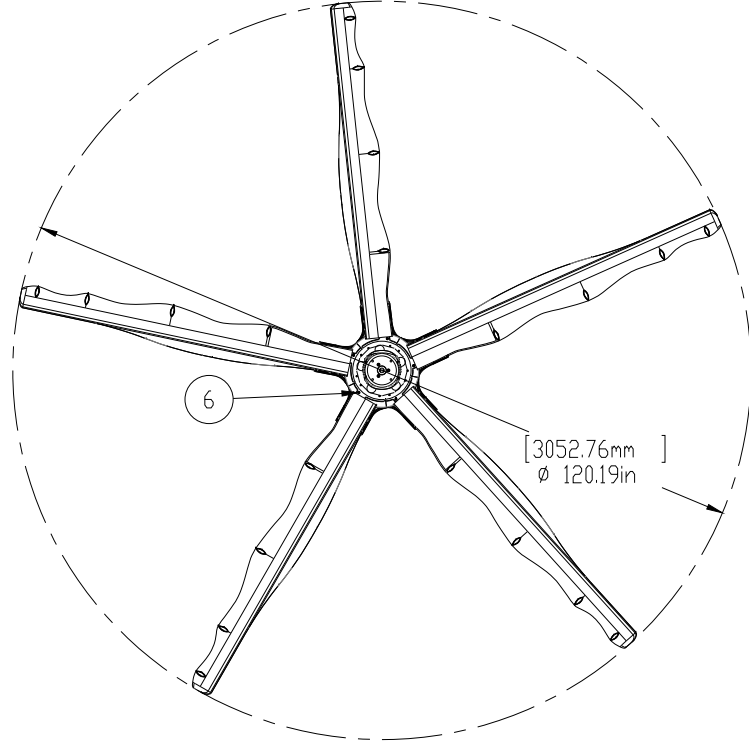
ITEM NO.	DESCRIPTION	QTY.
1	MonsterFans Style Series MOTOR ASSEMBLY	1
2	MonsterFans Style Series BLACK PP BLADE	5
3	MonsterFans Style Series HUB COVER - BLACK	1
4	MonsterFans Style Series -LED-LIGHT-KIT	1
5	1/4" X 5/8"LG-SERRATED FLANGED HEX HEAD CAP SCREW	20
6	#8-32 X 1 3/8" PAN HEAD PHILLIPS MACHINE SCREW	5

MATERIAL AS SPECIFIED FINISH AS SPECIFIED DO NOT SCALE DRAWING PROPRIETARY AND CONFIDENTIAL	COMMENTS:  REVISIONS: 1: removed mount assembly to be assembled with motor assembly	DRAWN: Last Revision Date: ENG APPR. Date: ENG APPR.	Drawing Date: 10/06/2016 Checked By: Checked Date: MFG APPR.	Schwanck  TITLE: MonsterFans Style Series Fan Assembly With Light (8Ft.)  SIZE DWG. NO. REV <b>A</b> MF-ST08-GY 0 SCALE: NTS WEIGHT: lbs SHEET 1 OF 1	
		UNLESS OTHERWISE SPECIFIED: DIMENSIONS ARE IN INCHES WEIGHT IS IN POUNDS TOLERANCES FRACTIONAL: ± 1/16 ANGULAR: INCH ± 0.1° BEND ± 0.5° TWO PLACE DECIMAL: ± 0.06(1.5mm) THREE PLACE DECIMAL: ± 0.030(0.76mm)			Last Saved Date: Friday, April 16, 2021 9:18:39 AM G.A.



ITEM NO.	DESCRIPTION	QTY.
1	MonsterFans Style Series MOTOR ASSEMBLY	1
2	MonsterFans Style Series BLACK PP BLADE	5
3	MonsterFans Style Series HUB COVER - BLACK	1
4	MonsterFans Style Series -LED-LIGHT-KIT	1
5	1/4" X 5/8"LG-SERRATED FLANGED HEX HEAD CAP SCREW	20
6	#8-32 X 1 3/8" PAN HEAD PHILLIPS MACHINE SCREW	5

MATERIAL AS SPECIFIED FINISH AS SPECIFIED Tolerance: DO NOT SCALE DRAWING PROPRIETARY AND CONFIDENTIAL	COMMENTS:  REVISIONS: 1- removed mount assembly to be assembled with motor assembly	DRAWN Last Revision Date:	Drawing Date: 10/06/2016 Checked By:	<b>Schwank</b>  TITLE: MonsterFans Style Series Fan Assembly With Light (9ft.)			
		ENG APPR. Date: ENG APPR:	Checked Date: MFG APPR:			SIZE <b>A</b>	DWG. NO. <b>MF-ST09-GY</b>
		UNLESS OTHERWISE SPECIFIED: DIMENSIONS ARE IN INCHES WEIGHT IS IN POUNDS FRACTIONS: 1/16 ANGULAR MEAS: 0.1° BEND ± 0.5° TWO PLACE DECIMAL: ± 0.0001(1000) THREE PLACE DECIMAL: ± 0.0002(2000)		Last Saved Date: Friday, April 16, 2021 9:18:39 AM	D.A.	SCALE: NTS	WEIGHT: lbs
				1	2	3	4



ITEM NO.	DESCRIPTION	QTY.
1	MonsterFans Style Series MOTOR ASSEMBLY	1
2	MonsterFans Style Series BLACK PP BLADE	5
3	MonsterFans Style Series HUB COVER - BLACK	1
4	MonsterFans Style Series -LED-LIGHT-KIT	1
5	1/4" X 5/8" LG-SERRATED FLANGED HEX HEAD CAP SCREW	20
6	#8-32 X 1 3/8" PAN HEAD PHILLIPS MACHINE SCREW	5

MATERIAL AS SPECIFIED  FINISH AS SPECIFIED  DO NOT SCALE DRAWING  PROPRIETARY AND CONFIDENTIAL	COMMENTS:  REVISIONS: 1- removed mount assembly to be assembled with motor assembly	DRAWN: Last Revision Date: ENG APPR. Date: ENG APPR.	Drawing Date: 10/06/2016 Checked By: Checked Date: MFG APPR.	TITLE: MonsterFans Style Series Fan Assembly With Light (10Ft.)		
		UNLESS OTHERWISE SPECIFIED: DIMENSIONS ARE IN INCHES WEIGHT IS IN POUNDS (16 FRAMES) FRACTIONAL ± 1/16 ANGULAR MATCH ± 0.1° BEND ± 0.5° TWO PLACE DECIMAL ± 0.06(1.5mm) THREE PLACE DECIMAL ± 0.030(0.76mm)	Last Saved Date: Thursday, February 16, 2017 11:34:25 AM QA.			SIZE DWG. NO. <b>A</b> MF-ST10-GY
		SCALE: NTS		WEIGHT: lbs	SHEET 1 OF 1	
		5		4	3	2

Schwank

MonsterFans Style Series  
Fan Assembly With Light (10Ft.)

SIZE DWG. NO.  
**A** MF-ST10-GY

SCALE: NTS WEIGHT: lbs SHEET 1 OF 1