

Franklin and Loft 28IN Vent-Free Insert VFPC28IN



INCLUDES

- Log Set
- Banded Ceramic Brick Liner
- Blower

REQUIRES

- Insert Surround

ACTUAL DIMENSIONS

31 1/16" W x 22 3/8" H x 16" D

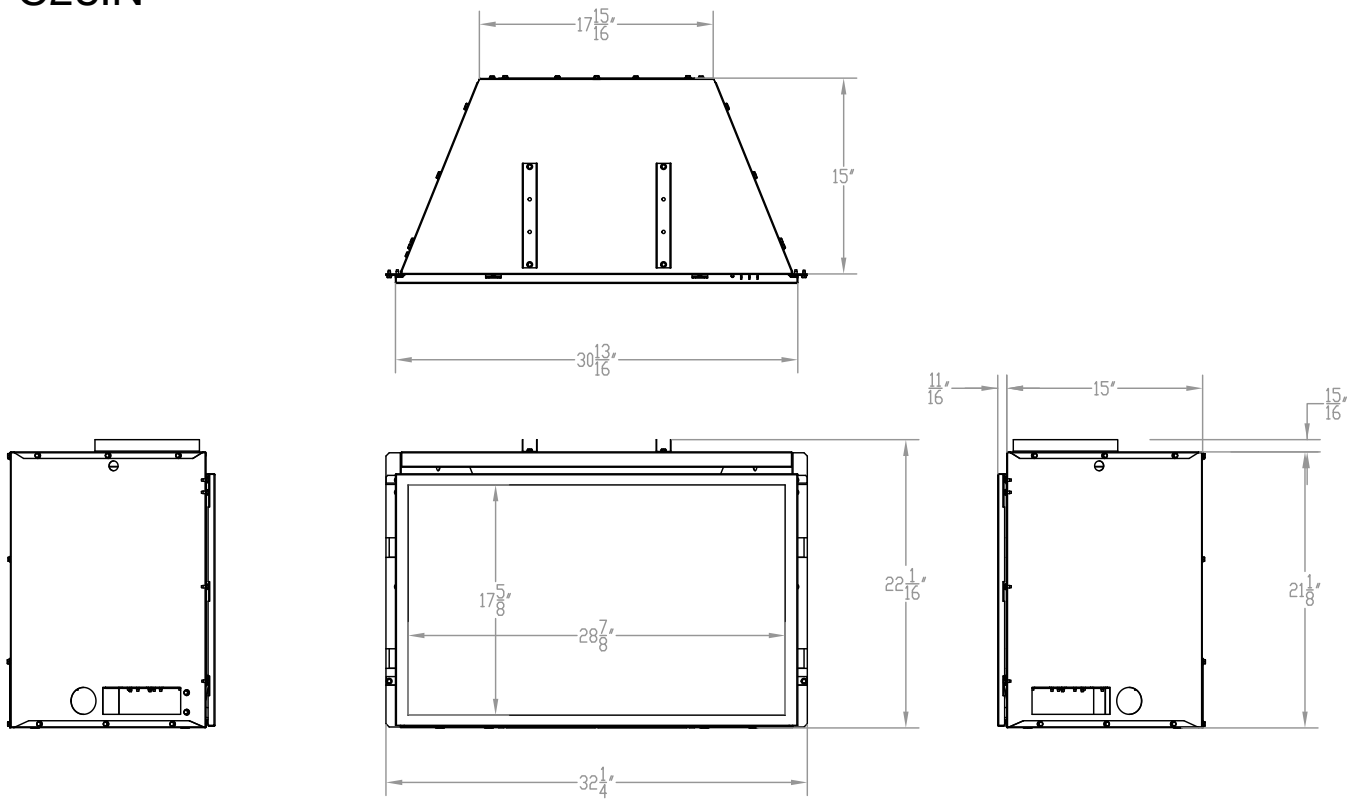
TECHNICAL INFORMATION

- Weight: 78 lbs.
- 28,000 BTUs (Propane, Nat)
- Ignition System: Intermittent Pilot, Millivolt

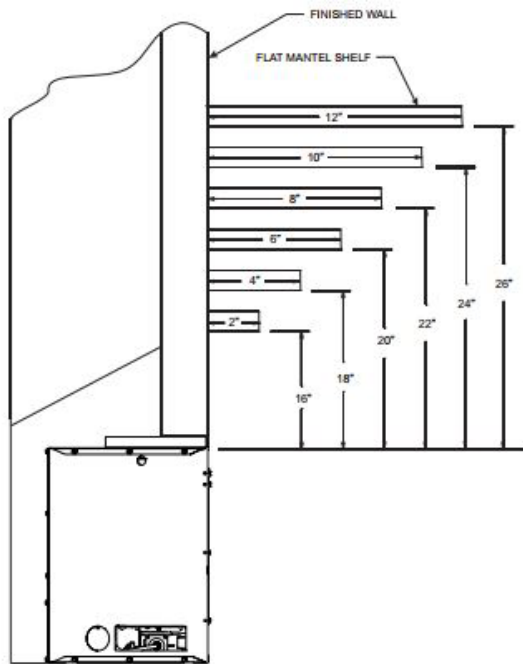
FIELD INSTALLED ACCESSORIES

- Control Options
- Custom Surrounds

VFPC28IN

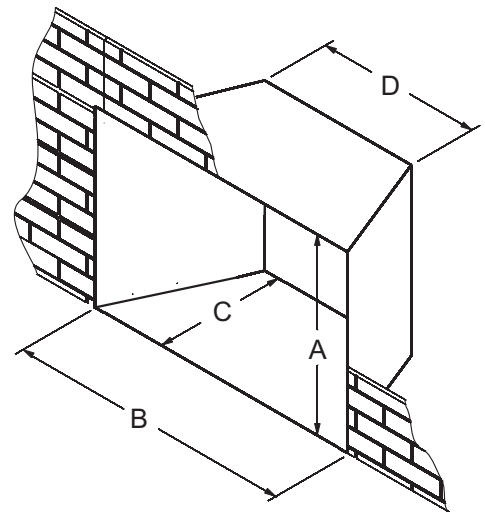


Clearance to Combustibles



Minimum Fireplace Opening Dimensions (in inches)

Height (A)	22 3/8
Front Width (B)	30 1/2
Depth (C)	15
Rear Width (D)	19



Empire is committed to continuous product improvement; specifications are subject to change without notice. Dimensions in this brochure are approximate; read and follow the framing dimensions in the owners manual supplied with your Empire product. Flame size, shape, and color will vary from photos. Our mantels feature natural veneers and hand-rubbed finishes – wood grain and color will vary. Adjust light levels and use "natural light" incandescent bulbs to enhance the dramatic look for your wooden mantel.

Member of the following industry associations:



This appliance is design-certified to the ANSI standard by:



SINCE 1932

Empire Comfort Systems Inc.
918 Freeburg Ave.

Belleville, IL 62220-2623

info@empirecomfort.com

02/19

The Empire Comfort Systems and White Mountain Hearth names and logos are registered U.S. trademarks.