

ECO FEU

www.Eco-Feu.com

INSTALLATION AND OPERATION MANUAL

Read carefully before using your Eco-Feu unit.
Keep this Installation and Operation Manual in a safe place for future reference.

CAUTION:

NEVER FILL WHILE THE UNIT IS BURNING
NEVER DISPLACE WHILE THE UNIT IS BURNING

Congratulations on your purchase of this quality Bio Ethanol Fireplace unit. Your Eco-Feu unit will create a unique ambiance with minimum installation and maintenance.

IMPORTANT INFORMATION

Before using your Eco-Feu unit, please read this Installation and Operation Manual carefully.

As a precaution, have in close proximity to the place where the unit is intended to be used, an approved type A-B-C extinguisher designed to put out flammable liquids Class 3, PG III.

For any question about your unit, please contact your local Eco-Feu retailer, visit us at www.eco-feu.com or e-mail us at info@eco-feu.com

DANGEROUS GOODS

Ethanol is classified as a flammable liquid Class 3, PG III and is regulated by various standards around the world. You must comply with these regulations in order to safely store and use this fuel.

*** Never extinguish the flame with water ***

Eco-Feu products are not designed to be used as a primary source of heating. Their main purpose is decorative.

WARNING

NEVER USE YOUR UNVENTED DECORATIVE APPLIANCE IN AREAS WHERE FLAMMABLE VAPORS OR GAS MAY BE PRESENT.

WARNING - GENERAL SAFETY PRECAUTIONS

1. To avoid possible risk of explosion and injury: Always use Eco-Feu ethanol in the unit; never use gasoline or other types of combustible liquid or ethanol gel in the unit; do not combine ethanol with water, incense, fragrance, gel and other liquids or products. Never fill the burner reservoir while it is operating, a flame is visible or the unit is still very hot. Never store or transport the ethanol fuel in a container other than its original plastic container or in a metal container that is acceptable for use with ethanol in accordance with the Consumer Chemicals and Containers Regulations 2001;
2. Keep the ethanol in its container at room temperature in a secure and dry place away from the reach of children and pets, away from an open flame and other heat sources. Keep the ethanol container closed. As a safety precaution, do *not* store the ethanol container in the living space where the unit is installed or placed;
3. Keep children, pets, clothing and furniture away from the unit while it is burning since it operates at hot temperatures. Keep in mind not to touch the protective glass and/or the burner while it is operating or still hot.
4. Make sure the room where the unit is located is ventilated properly - only operate the unit in a well-ventilated area with an adequate normal supply of fresh air circulation is available. People with breathing problems should consult a physician before using the unit;
5. Do not use the unit for heating, boiling water or cooking purposes;
6. Do not throw waste materials or paper into the burning unit;
7. Do not attach any fuel tank to the unit;
8. The unit is not intended to operate continuously. To avoid accelerated wear of the unit, allow the unit to cool down completely on a regular basis;
9. Do not obstruct the open/close flame shutter mechanism of the burner. ONLY place the decorative pebbles supplied by Eco-Feu on top of the unit around the burner circumference away from the burner opening so that they will not obstruct the operation of the burner open/close shutter system;
10. It is recommended that only adults aged 18 and over operate the unit. The unit should never be left without supervision of an adult;
11. Make sure curtains and any other flammable objects are at a minimum safe distance of 61 cm (24") on all sides when installing a wall mount or a free standing unit; consider the risk of curtains or other flammable objects moving closer to the unit by air drafts if the unit is placed in close proximity to windows or doors;
12. Wait at least 20 minutes before refilling the burner after the flame has gone out or has been put out. Also wait 20 minutes after the flame has gone out or has been put out before touching or removing the protective glass;
13. Only use decorative refractory accessories such as fire logs and pebbles recommended by Eco-Feu;
14. The unit is designed to be used in a well-ventilated area;
15. Do not hang any piece of clothing or other flammable material on or close to the unit;
16. Ethanol must be kept at room temperature for optimal combustion;
17. Do not ingest, inhale vapour and do not expose ethanol to skin; in case of ingestion, inhalation or if irritation occurs, consult a physician or a Poison Control Centre and get immediate medical attention;
18. Use the unit on a flat levelled surface only;
19. Close the burner opening when not in use;

20. Never move the unit while it is burning;
21. Do not use close to any equipment using oxygen tank.

General Operation

Be sure to remove all wrapping, labels, stickers and packaging components around the unit and make sure there are no flammable materials in close proximity prior to use.

Follow the directions in this Installation and Operation Manual at all times.

WARNING

THIS APPLIANCE HAS NOT BEEN TESTED FOR USE WITH DOORS. TO REDUCE THE RISK OF FIRE OR INJURY, DO NOT INSTALL DOORS.

Filling

CAUTION: Never fill the burner while still in operation, whether or not a flame is visible or while the burner is still very hot.

To facilitate the filling process, remove the protective glass. Fill up the burner compartment with Eco-Feu ethanol using the Eco-Feu pouring spout equipped with a valve, making sure *NOT* to exceed the maximum filling mark (MAX) indicated inside the burner;

Once filled, put the protective glass back into position.

Any spilt ethanol fuel must be cleaned immediately with a dry absorbent cloth; After cleaning, wash the absorbent cloth thoroughly with water to rinse off any ethanol residue.

By keeping the unit clean of any ethanol residue, it will prevent the ignition of residue outside of the burner when it is lit; Avoid any contact of ethanol to your skin or eyes. In case of skin or eye contact, flush the exposed part thoroughly with cool water for 15 minutes; Avoid ingesting and directly inhaling; immediately contact a physician or a Poison Control Centre if physical symptoms caused by inappropriate handling of ethanol requires medical attention;

Make sure not to spill ethanol on carpets, lacquered floors, furniture, and other surfaces as ethanol spill could cause surface discolouration and damage;

Keep the ethanol in its closed ethanol container.

Always store the ethanol container in a secure place out of the reach of children and pets.

WARNING

THIS APPLIANCE HAS NOT BEEN TESTED WITH AN UNVENTED GAS LOG SET. TO REDUCE RISK OF FIRE OR INJURY, DO NOT INSTALL AN UNVENTED GAS LOG SET INTO THIS APPLIANCE.

Lighting

BEFORE LIGHTING MAKE SURE THE PROTECTIVE GLASS IS IN THE CORRECT POSITION.

Important: Upon lighting, the flame will be barely visible or colourless. It will intensify and will reach its maximum within 20 minutes.

*** NEVER REFILL WHILE THE UNIT IS BURNING AS THIS WOULD RESULT IS AN EXPLOSION HAZARD**

CAUTION: Under some daylight conditions, the flame is barely visible or colourless when ignited or when the ethanol level in the burner is low. Verify that the burner is completely extinguished before refilling. Follow the safety precautions described in this Installation and Operation Manual.

When re-igniting a unit that has not been in operation for a day or more, it is important to open the burner for 3 minutes to allow any residual vapour to escape.

Do not light the unit when in the presence of an open flame, sparks or ignition sources such as a cigarette, electric heaters or other such sources;

Do not stand over the burner while lighting; always light the burner from the side and never have any body parts over the opening of the burner; Never blow air directly into the flame as it could cause a fire hazard; As a safety precaution, place the ethanol container at a minimum distance of 2m (6 1/2 ft.) from the unit prior to lighting it;

Use a long 28 cm (11in) lighter such as a BBQ Lighter to light the ethanol.

As a safety precaution, allow the burner to cool for 20 minutes before refilling and before touching or removing the protective glass. Do not fill when the burner is still very hot;

Never fill the burner over the indicated "MAX" filling mark.

Once in operation, do not touch the unit, the protective glass or the burner.

These parts will get hot and can cause burns.

Extinguishing

CAUTION: * Never extinguish the ethanol flame with water - explosion hazard *

Whenever possible, let the ethanol burn up until the flame goes out naturally by running out of fuel;

Keep the protective glass in position.

To put out the flame, use the shutter control handle or shutter accessory (depending on the model) supplied with the unit to cover the burner opening completely.

When the unit is not in use, keep the shutter closed.

Emergency Measures

Appropriate Extinguishing Equipment: CO², foam, powder dry chemical extinguisher such as type A-B-C dry chemical extinguisher;

Specific hazard: flammable fuel - **flame cannot be extinguished with water**

In the case of burning ethanol spill occurring outside of the burner, quickly extinguish the fire source using a dry chemical extinguisher such as type A-B-C extinguisher;
If for some reason an A-B-C dry chemical extinguisher is not within reach, use a large cloth soaked in water to cover, control and choke the flame as an fall-back emergency measure;

Ventilation

All Eco-Feu units operate without a chimney and do not require exhaust systems. The combustion of ethanol produces water vapour and a small quantity of carbon dioxide comparable to human breath when used in accordance with the recommendations of this Manual;

DO NOT install a unit in a bathroom or in a bedroom. Ethanol fire products should not be used in a room smaller than 1000 cubic feet (10' x 12' x 8')
In all cases, it is recommended to keep doors of adjacent rooms and/or windows slightly open to allow fresh air circulation for a few minutes every hour to insure adequate air recycling.

Fuel Economy

Extended burn time and reduced fuel consumption can be obtained by partially closing the burner opening with the shutter control handle to reduce the size of the flame. Note: This function is only available for wall mount and free standing units.

INSTALLATION REQUIREMENTS

WALL MOUNT MODELS

Eco-Feu does not supply the anchoring screws. It is up to the owner and installer to purchase the proper screws for the type of stud they will be screwing into.

Always consult a qualified construction professional when making modifications to any wall.

- install into a secure and stable levelled position using anchorage hardware (screws, fastenings, etc.) that is appropriate to solidly fix the unit into the structural elements of the wall (wood or metal structural frame, cement block structural wall, etc.). Consult a qualified construction professional about the appropriate hardware specifications and building precautions to securely install the unit; as a general guideline, the wall mount unit must be fixed to withstand a minimum pressure of 68 kg (150 lbs) vertically and horizontally along the wall plane;
- always install the unit at a levelled position;
- do not install directly on or beside wallpaper, furniture, mirrors, fittings, laminate or any surfaces that are not fire resistant as the heat will impact the appearance and physical properties of those materials;
- install with the back of the unit perpendicular to the floor;
- install the unit with a minimum clearance of 30 cm (12 in) from the floor and 60 cm (24 in) from the ceiling.
- position the unit at a minimum of 61cm [24in] away horizontally from curtains, and other flammable materials. Take into account possible air drafts coming from adjacent doors and windows to determine the applicable

safe distance from those openings to install your unit;

- Do not obstruct the air spacing in the back of a wall mount unit as it will prevent adequate cooling ventilation of the unit;
- Always securely install the protective glass guard provided with the unit according to the Installation section of this Manual;
- make sure the burner of the unit sits firmly inside the overflow container before lighting the unit. In case of fuel spillage in the overflow container, remove the burner box, wipe completely with a dry absorbent cloth and replace the burner into the overflow container before lighting the unit.

- Recommended minimum clearances around a **Wall Mount Unit:**

Overhead: 60cm (24in)	Sides: 30cm (12in)
Front: Accessible at all times	From floor: 30cm (12in)

CAUTION: Risks of burns. Do *not* operate the unit without the protective glass guard completely attached. Wait 20 minutes after the burner has gone out before touching or removing the protective glass.

WARNING

DO NOT PACK REQUIRED AIR SPACES WITH INSULATION OR OTHER MATERIALS.

Maintenance

Only use a damp clean cloth to clean the unit. Never use chemical cleaning products, scrubbing powder, steel wool, or hard sponges to clean the unit as it may damage to the unit;

IMPORTANT: The warranty does not cover risks of rusting. Always keep the unit away from continuous rain and/or excessive humidity; Keep in mind to always properly dry the unit after cleaning it with water;

PERIODIC SERVICE REQUIREMENT: VERIFY OPERATION OF MANUAL SHUTOFF DEVICE.

TWO-SIDED BUILT-IN INSTALLATION

Eco-Feu does not supply the anchoring screws. It is up to the owner and installer to purchase the proper screws for the type of stud they will be screwing into.

ALWAYS CONSULT A QUALIFIED CONSTRUCTION PROFESSIONAL WHEN MAKING MODIFICATIONS TO ANY WALL

1. Opening

- When built in, an Eco-Feu unit should always be surrounded by an anti-flammable material such as cement board with no flammable material exposed. The wall structure must be made out of steel studs, and the facing out of cement board or another anti-flammable material. The entire wall where you are building in your unit must be built out of non-flammable material.
- The surfaces of the bottom, sides and top of the opening must all be fire resistant. The top of the opening, must be at a minimum distance of 60cm (24in) from the surface of the burner, once installed.

- c. The bottom of the opening should be built on horizontal support studs. This will allow you to properly anchor your unit to the wall structure.
- d. Keep in mind the control handle (7) for the shutter is under the unit. It must be accessible at all times.
- e. Once your opening is complete, insert the unit into the structure. Make sure it is centered on all sides.
- f. Use the proper screws and washers to anchor the base of the unit via the 6 screw holes (a) to the horizontal support studs. Screw through the screw holes(a), through the screw covers(d) into your support studs.

2. Burner Installation

- a. Remove the control arm handle(7) by unscrewing it. Carefully place the burner(4) into the designated slot(e).
- b. The control arm should now be sticking out of the bottom of the unit (5). Reattach the control arm handle by screwing it in firmly.
- c. Make sure the burner shutter, opens and closes smoothly by moving the control arm shutter handle left and right.

3. Protective Glasses

- a. Place the protective glasses(8 & 6) on the glass mounts(c).

Free Standing Installation

1. Anchorage

- a. Taking into account the General Safety Precautions and Installation Requirements mentioned above, designate an appropriate location for your free standing unit.
- b. Use the proper screws and washers to anchor the base of the unit via the 6 screw holes (a) to the floor. Screw through the screw holes(a), through the screw covers(d) into floor.

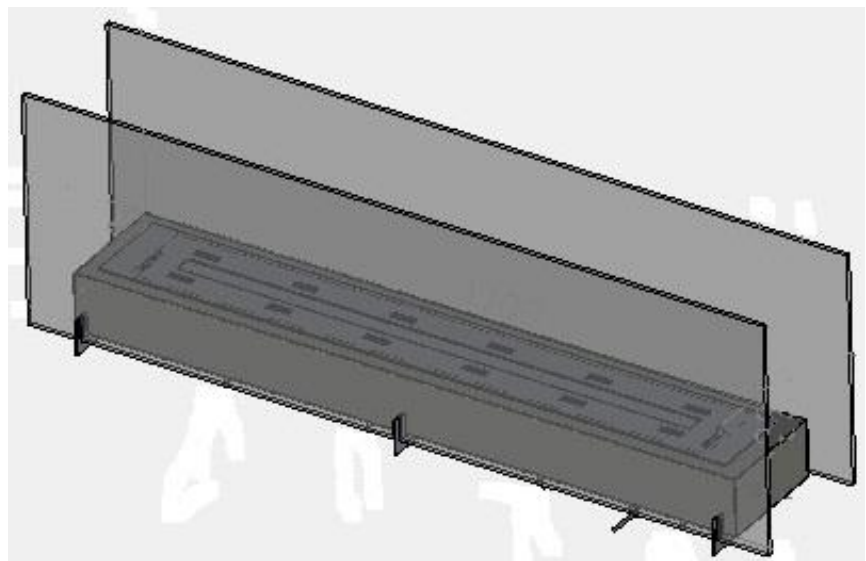
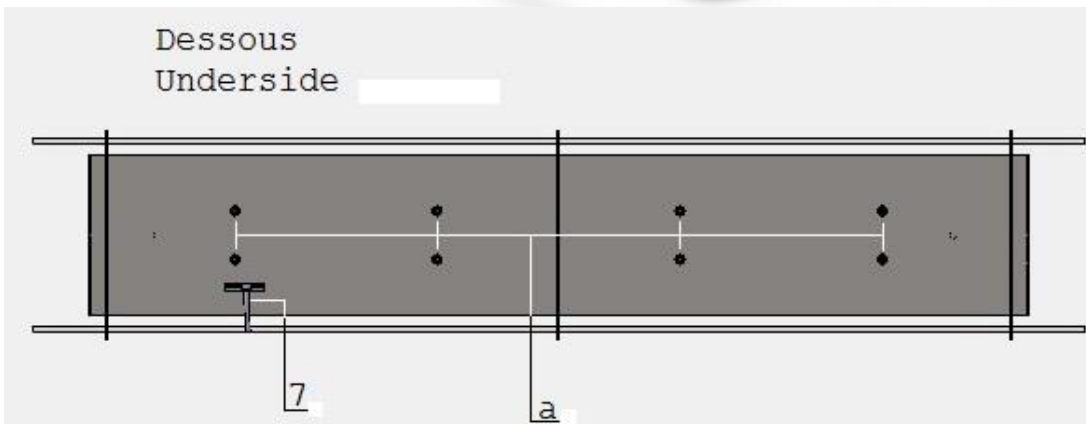
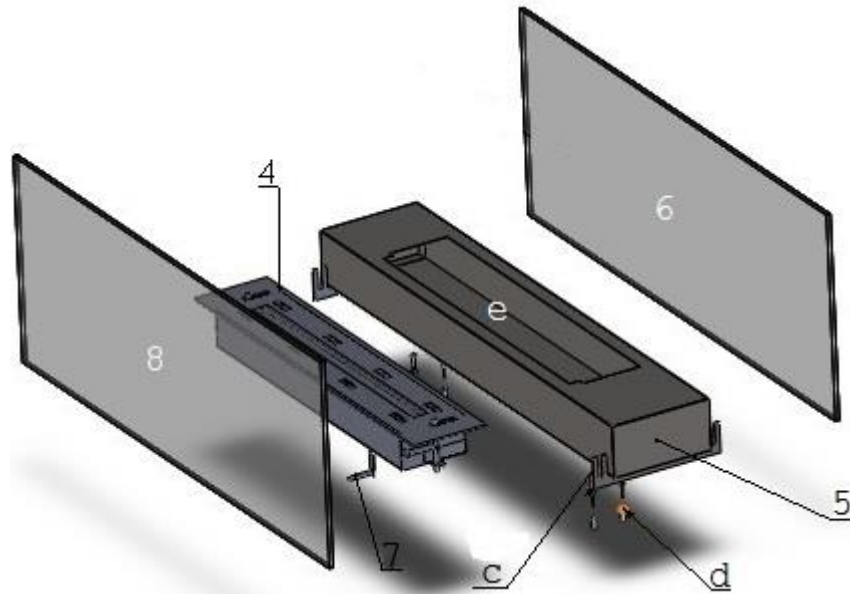
2. Burner Installation

- a. Remove the control arm handle(7) by unscrewing it. Carefully place the burner(4) into the designated slot(e).
- b. The control arm should now be sticking out of the bottom of the unit (5). Reattach the control arm handle by screwing it in firmly.
- c. Make sure the burner shutter, opens and closes smoothly by moving the control arm shutter handle left and right.

3. Protective Glasses

- a. Place the protective glasses(8 & 6) on the glass mounts(c).

Installation Schematics



VISION III
FREE STANDING / 2 SIDED BUILT IN

ECO-FEU THREE YEAR LIMITED WARRANTY

ECO-FEU Ethanol products are warranted to be free of material defects for a period of 3 years from the date of purchase.

The warranty does not apply to misuse, abuse, or by damage caused by inappropriate operation or by not directly following the recommended operation use by ECO-FEU Installation and Operation Manual. ECO-FEU is not responsible for wrongful handling of its product or the Ethanol fuel, whether directly or indirectly, causing direct or indirect damage to individual or property.

This Warranty shall be void in the case of an accident resulting from the negligence, lack of proper supervision, lack of maintenance or user's modification of the product.

The Warranty does not cover the risks of rust damage. The product should be kept sheltered from rain and significant humidity at all times.

If the product is found defective within the warranty period, ECO-FEU undertakes to, at it's own option, to replace or repair the product. The installation fees are not covered by this Warranty. ECO-FEU and/or seller disclaim any liability for special, incidental or consequential damages.

This warranty certificate along with proof of date of purchase must be in hand when making any claim.

MODEL NO. _____ PURCHASER: _____

SERIAL NO. _____ PURCHASED AT: _____

DATE OF PURCHASE: _____

For warranty claims, please contact your local distributor. If there is not a local distributor in your area, please visit ECO-FEU's website (www.eco-feu.com) to get a distributor nearest to you or contact Eco-Feu directly at (866) 435-1772 or by email at info@eco-feu.com.