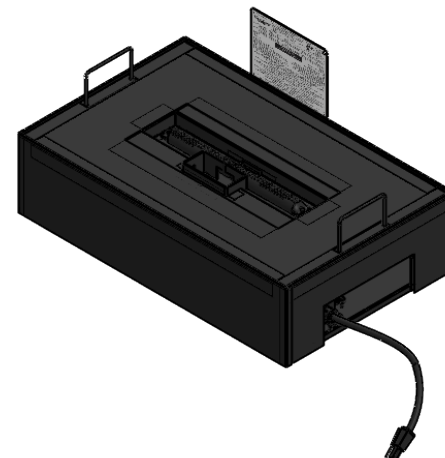


2

1

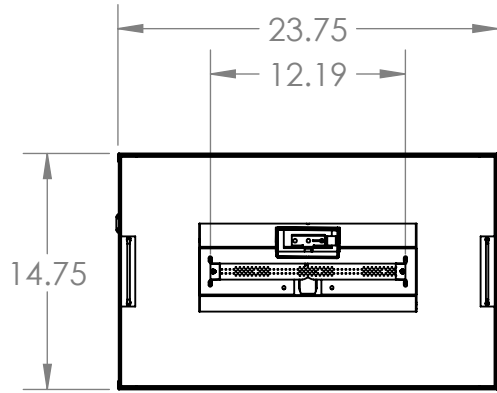
POWER REQUIREMENTS	VOLTS		AC 120 v @ 60Hz
	BATTERY BACKUP		4+ aa BATTERY 6v
LAMPS	LED 5v RGB		WS2811 DIODES
	IR REMOTE CONTROLLER		
	CUSTOMIZABLE WIFI APP		
PROFLAME II SYSTEM	5 LEVELS OF FLAME INTENSITY		
	REMOTE CONTROLLED IGNITION		
	VENTFREE OR VENTLESS CONFIGURATION		
	OXYGEN DEPLETION SENSOR		
HEATING OUTPUT	MAXIMUM HEAT	30,000 BTU/hr	8.75 kW
	MINIMUM HEAT (EN)	20,000 BTU/hr	5.85 kW
	MINIMUM HEAT (EP)	15,000 BTU/hr	4.39 kW

NOTE:
EN- NATURAL GAS
EP- PROPANE



B

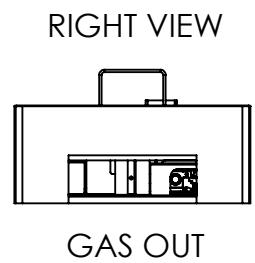
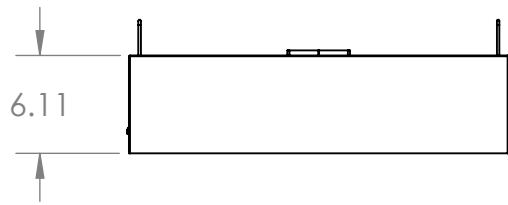
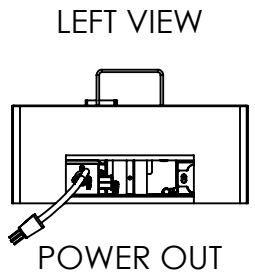
B



MINIMUM FIRE BOX DIM. (INCHES)		
WIDTH	DEPTH	HEIGHT
24	15	20

A

A



TITLE:
VENTFREE, LINEAR DROP IN BRNR
LDB24L-EP
LDB24L-EN

SIZE	DWG. NO.	REV
A	VFLDB-24L-XX	A

SCALE: N/A WEIGHT: SHEET 1 OF 1

2

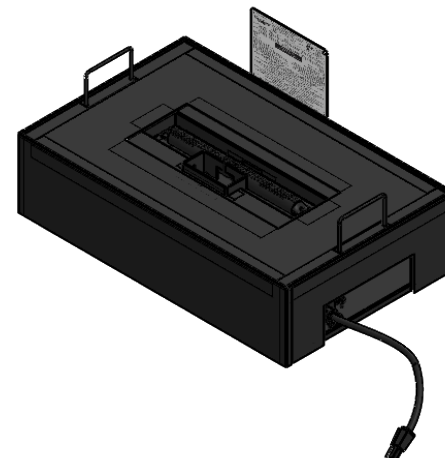
1

2

1

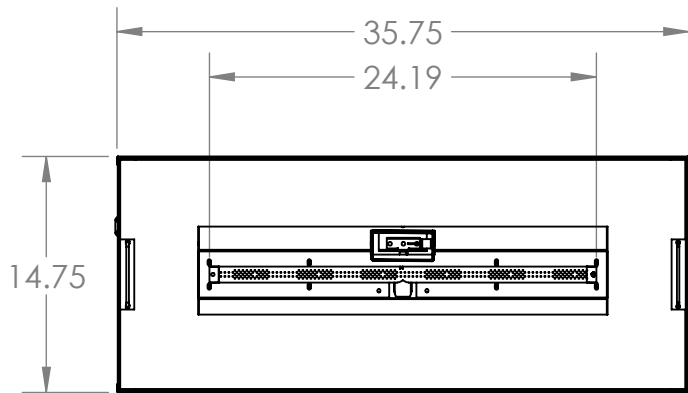
POWER REQUIREMENTS	VOLTS		AC 120 v @ 60Hz
	BATTERY BACKUP		4+ aa BATTERY 6v
LAMPS	LED 5v RGB		WS2811 DIODES
	IR REMOTE CONTROLLER		
	CUSTOMIZABLE WIFI APP		
PROFLAME II SYSTEM	5 LEVELS OF FLAME INTENSITY		
	REMOTE CONTROLLED IGNITION		
	VENTFREE OR VENTLESS CONFIGURATION		
	OXYGEN DEPLETION SENSOR		
HEATING OUTPUT	MAXIMUM HEAT	32,000 BTU/hr	9.38 kW
	MINIMUM HEAT (EN)	20,000 BTU/hr	5.86 kW
	MINIMUM HEAT (EP)	16,000 BTU/hr	4.68 kW

NOTE:
EN- NATURAL GAS
EP- PROPANE



B

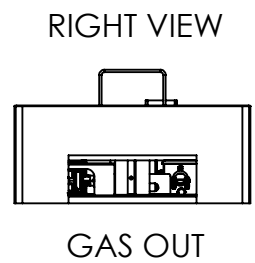
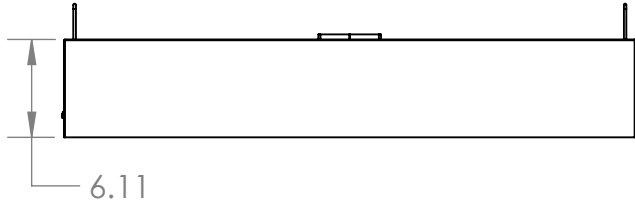
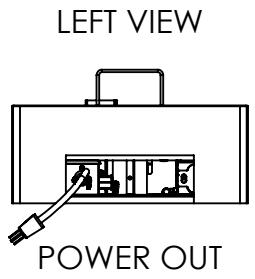
B



MINIMUM FIRE BOX DIM. (INCHES)		
WIDTH	DEPTH	HEIGHT
36	15	20

A

A



TITLE:
VENTFREE, LINEAR DROP IN BRNR
VFLDB36L-EP
VFLDB36L-EN

SIZE	DWG. NO.	REV
A	VFLDB-36L-XX	A

SCALE: N/A WEIGHT: SHEET 1 OF 1

2

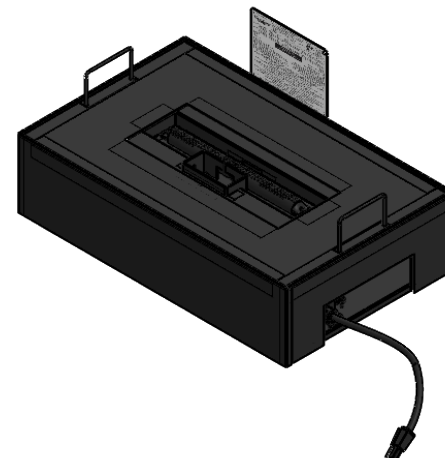
1

2

1

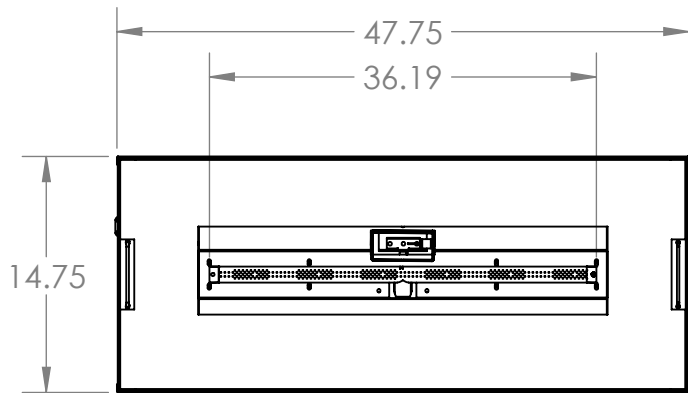
POWER REQUIREMENTS	VOLTS		AC 120 v @ 60Hz
	BATTERY BACKUP		4+ aa BATTERY 6v
LAMPS	LED 5v RGB		WS2811 DIODES
	IR REMOTE CONTROLLER		
	CUSTOMIZABLE WIFI APP		
PROFLAME II SYSTEM	5 LEVELS OF FLAME INTENSITY		
	REMOTE CONTROLLED IGNITION		
	VENTFREE OR VENTLESS CONFIGURATION		
	OXYGEN DEPLETION SENSOR		
HEATING OUTPUT	MAXIMUM HEAT	39,500 BTU/hr	11.58 kW
	MINIMUM HEAT (EN)	27,000 BTU/hr	7.92 kW
	MINIMUM HEAT (EP)	18,000 BTU/hr	5.27 kW

NOTE:
EN- NATURAL GAS
EP- PROPANE



B

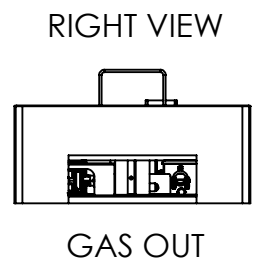
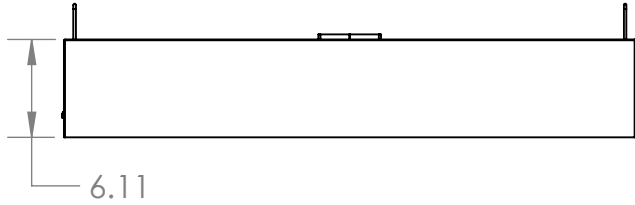
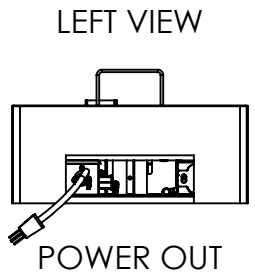
B



MINIMUM FIRE BOX DIM. (INCHES)		
WIDTH	DEPTH	HEIGHT
48	15	20

A

A



GRAND CANYON GAS LOGS

TITLE:
VENTFREE, LINEAR DROP IN BRNR
VFLDB48L-EP
VFLDB48L-EN

SIZE	DWG. NO.	REV
A	VFLDB-48L-XX	A

SCALE: N/A WEIGHT: SHEET 1 OF 1

2

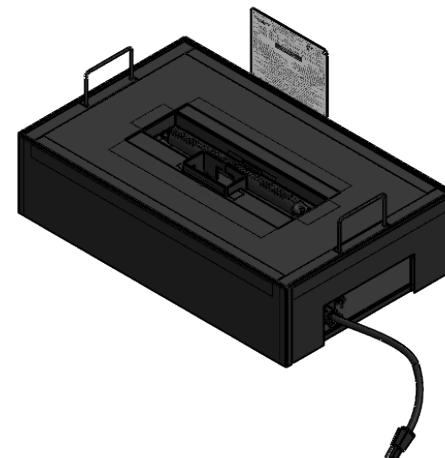
1

2

1

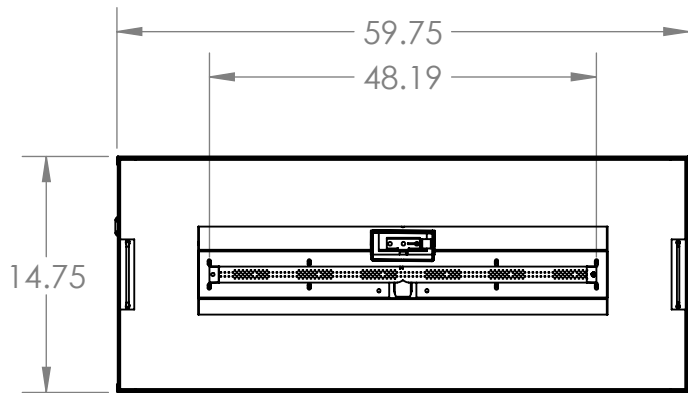
POWER REQUIREMENTS	VOLTS		AC 120 v @ 60Hz
	BATTERY BACKUP		4+ aa BATTERY 6v
LAMPS	LED 5v RGB		WS2811 DIODES
	IR REMOTE CONTROLLER		
	CUSTOMIZABLE WIFI APP		
PROFLAME II SYSTEM	5 LEVELS OF FLAME INTENSITY		
	REMOTE CONTROLLED IGNITION		
	VENTFREE OR VENTLESS CONFIGURATION		
	OXYGEN DEPLETION SENSOR		
HEATING OUTPUT	MAXIMUM HEAT	39,500 BTU/hr	11.58 kW
	MINIMUM HEAT (EN)	27,000 BTU/hr	7.92 kW
	MINIMUM HEAT (EP)	18,000 BTU/hr	5.27 kW

NOTE:
EN- NATURAL GAS
EP- PROPANE



B

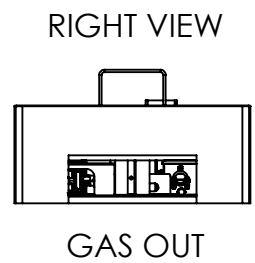
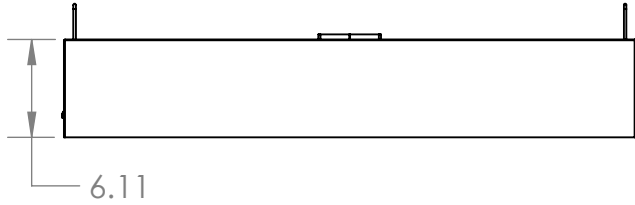
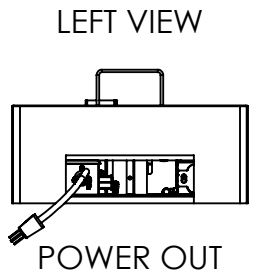
B



MINIMUM FIRE BOX DIM. (INCHES)		
WIDTH	DEPTH	HEIGHT
60	15	20

A

A



GRAND CANYON GAS LOGS

TITLE:
VENTFREE, LINEAR DROP IN BRNR
VFLDB60L-EP
VFLDB60L-EN

SIZE	DWG. NO.	REV
A	VFLDB-60L-XX	A

SCALE: N/A WEIGHT: SHEET 1 OF 1

2

1