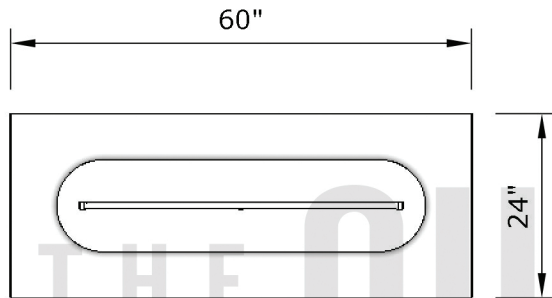
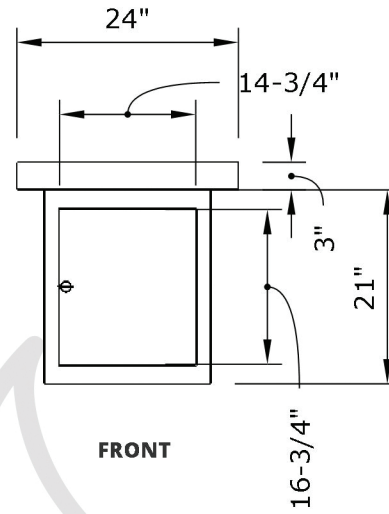


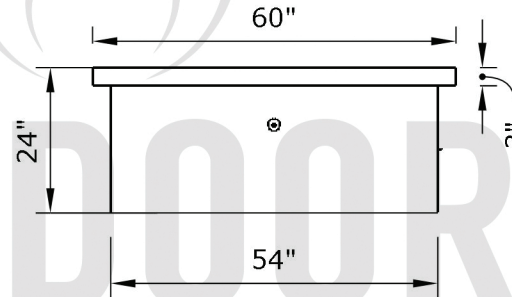
Replacement Part Numbers



TOP



FRONT



SIDE



Ramona - 60" Fire Pit

| | |
|-------------------------------------|-----------|
| Page Number | 1 of 1 |
| Author: Bryant Uribe | 4/13/2018 |
| Approved By: Gabriel Estrada | 4/13/2018 |

| | |
|-----------------------------|--|
| Part Number | OPT-RMNRT60, OPT-RMNRT60EKIT |
| Material | GFRC (Glass Fiber Reinforced Concrete) |
| Finishes | Ash, Black, Gray, Vanilla, Brown, Chocolate, Limestone |
| Gas Type | Natural Gas (-NG) or Liquid Propane (-LP) |
| Weight | 395 lbs. |
| BTUs | 55,000 |
| Suggested Fire Glass | 50 lbs. |
| Access Door | Yes |

| ITEM NO. | REPLACEMENT PART NUMBER | QTY. |
|----------|-------------------------|------|
| 1 | OPT-166T42 | 1 |
| 2 | OPT-256 | 1 |
| 3 | OPT-LATCH | 1 |

Proprietary & Confidential: The information contained in this drawing is the sole property of **The Outdoor Plus**. Any reproduction or as a whole without written permission of **The Outdoor Plus** is prohibited.