



THE **OUTDOOR** PLUS



**INSTALLER:** Leave this manual with the appliance

**CONSUMER:** Retain this manual for future reference.

## TOP TORCHES

STAINLESS STEEL / CORTEN

OPT-TT(X)M

## SAFETY WARNINGS

**⚠ WARNING**

Improper installation, adjustment, alteration, service, or lack of maintenance can cause injury or property damage.

Read the installation, operating, and maintenance instructions thoroughly before installing or servicing this equipment.

**⚠ AVERTISSEMENT**

Une installation, un ajustement, une modification, une réparation ou un entretien inapproprié peuvent être la cause de blessures ou de dommages.

Veuillez lire attentivement les instructions d'installation, d'utilisation et d'entretien avant d'installer ou de réparer ce matériel.

**⚠ WARNING**

Do not store or use gasoline, or other flammable vapors and liquids, in the vicinity of this or any other appliance.

An LP-cylinder not connected for use shall not be stored in the vicinity of this or any other appliance.

**⚠ AVERTISSEMENT**

Ne pas entreposer ne utiliser de l'essence ni d'autres vapeurs ou liquides inflammables dans le voisinage de l'appareil, ne de tout autre appareil. Une bouteille de propane qui n'est pas raccordee en vue de son utilisation, ne doit pas etre entreposee dans le voisiange de cet appariel ou de tout autre appareil.

**⚠ WARNING**

**FOR OUTDOOR USE ONLY.**

**⚠ AVERTISSEMENT**

**POUR USAGE A L'EXTERIEUR SEULEMENT.**

**⚠ WARNING**

For use with natural gas or liquid propane only.

Do not use charcoal or other solid fuel in gas burning appliances.

Do not use your fire feature for cooking.

Always adhere to the specified clearances listed in this manual.

Never allow clothing or other flammable materials come in contact with any hot surface until it has fully cooled.

Never wear loose fitting or hanging garments while using your fire pit. Fabric may ignite and result in personal injury.

**⚠ AVERTISSEMENT**

Pour utilisation avec du gaz naturel ou du propane liquide seulement.

N'utilisez pas de charbon de bois ou d'autres combustibles solides dans les appareils à gaz.

N'utilisez pas votre caractéristique de feu pour cuisiner.

Respectez toujours les dégagements spécifiés dans ce manuel.

Ne laissez jamais des vêtements ou d'autres matériaux inflammables entrer en contact avec une surface chaude avant d'avoir complètement refroidi

Ne portez jamais de vêtements amples ou suspendus lorsque vous utilisez votre foyer. Le tissu peut s'enflammer et entraîner des blessures.

## SAFETY WARNINGS

**⚠ WARNING****If you smell gas:**

- > Shut off gas to the appliance
- > Extinguish any open flame
- > If odor continues, keep away from the appliance and immediately call your gas supplier or fire department.

**⚠ AVERTISSEMENT****Si l y une odeur de gaz:**

- > Coupez l'admission de gaz de l'appareil.
- > Éteindre toute flamme nue.
- > Si l'odeur persiste, éloignez-vous de l'appareil et appelez immédiatement le fournisseur de gaz ou le service d'incendie.

**⚠ WARNING**

For use with natural gas or liquid propane only.

Do not use charcoal or other solid fuel in gas burning appliances.

Do not use your fire feature for cooking.

Always adhere to the specified clearances listed in this manual.

Never allow clothing or other flammable materials come in contact with any hot surface until it has fully cooled.

Never wear loose fitting or hanging garments while using your torch. Fabric may ignite and result in personal injury.

**⚠ AVERTISSEMENT**

Pour utilisation avec du gaz naturel ou du propane liquide seulement.

N'utilisez pas de charbon de bois ou d'autres combustibles solides dans les appareils à gaz.

N'utilisez pas votre caractéristique de feu pour cuisiner.

Respectez toujours les dégagements spécifiés dans ce manuel.

Ne laissez jamais des vêtements ou d'autres matériaux inflammables entrer en contact avec une surface chaude avant d'avoir complètement refroidi

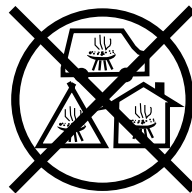
Ne portez jamais de vêtements amples ou suspendus lorsque vous utilisez votre foyer. Le tissu peut s'enflammer et entraîner des blessures.

**⚠ WARNING****Carbon Monoxide Hazard**

This appliance can produce carbon monoxide which has no odor.

Using it in an enclosed space can kill you.

Never use this appliance in enclosed space such as a camper, tent, car or home.

**⚠ AVERTISSEMENT****MONOXYDE DE CARBONE**

Cette appareil peut produire du monoxyde de carbone, un gaz inodore.

L'utilisation de cet appareil dan des espaces clos peut entraîner la mort.

Ne jamais utiliser cet appareil dans un espace clos comme un véhicule de camping, une tente, une automobile ou une maison.

## SAFETY WARNINGS

### WARNING

Installation must conform with local codes or, in the absence of local codes, with the National Fuel Gas Code, ANSI Z223.1 / NFPA 54, or International Fuel Gas Code.

The appliance, when installed, must be electrically grounded in accordance with local codes or, in the absence of local codes, with the National Electric Code, ANSI/NFPA 70, if applicable.

### WARNING

**California Proposition 65 Warning:** This product can expose you to chemicals including Lead and Lead Compounds, which are known to the state of California to cause cancer, and Carbon Monoxide, Lead and Lead Compounds which are known to the state of California to cause birth defects or other reproductive harm. For more information go to [www.P65Warnings.ca.gov](http://www.P65Warnings.ca.gov).

### DANGER

Propane gas source to the torch must be regulated.

Do not operate if regulator has been removed. Fire or explosion can occur.

### BURN HAZARD

While the torch unit is operating, the outside surface may reach high temperatures which may cause burns.

Never leave children unattended in the area where the torch unit is being used. Close supervision of children is necessary when any appliance is used near children. Never leave the torch unattended when in use.

Do not reach over your torch unit when hot or in use.

### SAFETY

Keep all electrical supply cords away from the heated areas of the torch.

Clothing or other flammable materials should not be hung from the appliance, or placed on or near the appliance.

## GENERAL INFORMATIONS

**Fuel Type** - Before making gas connections ensure appliance being installed is compatible with the available gas type. Check the label on the appliance to confirm appliance gas type requirement.

**Gas Pressure** - Proper input gas pressures are required for optimum appliance performance.

### GAS PRESSURE REQUIREMENTS

#### Natural Gas

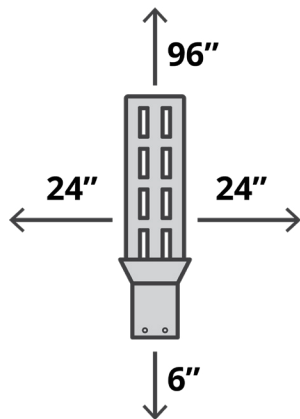
Minimum 3.5" W.C. - Nominal: 7.0" W.C. - Maximum 1/2" PSI (14.0" W.C.)

#### Liquid Propane:

Minimum 8.0" W.C. - Nominal: 11.0" W.C. - Maximum 1/2" PSI (14.0" W.C.)

### CLEARANCE FROM COMBUSTIBLES

**Warning** - Provide adequate clearance from combustibles as shown below.



### INSTALLATION & MAINTENANCE

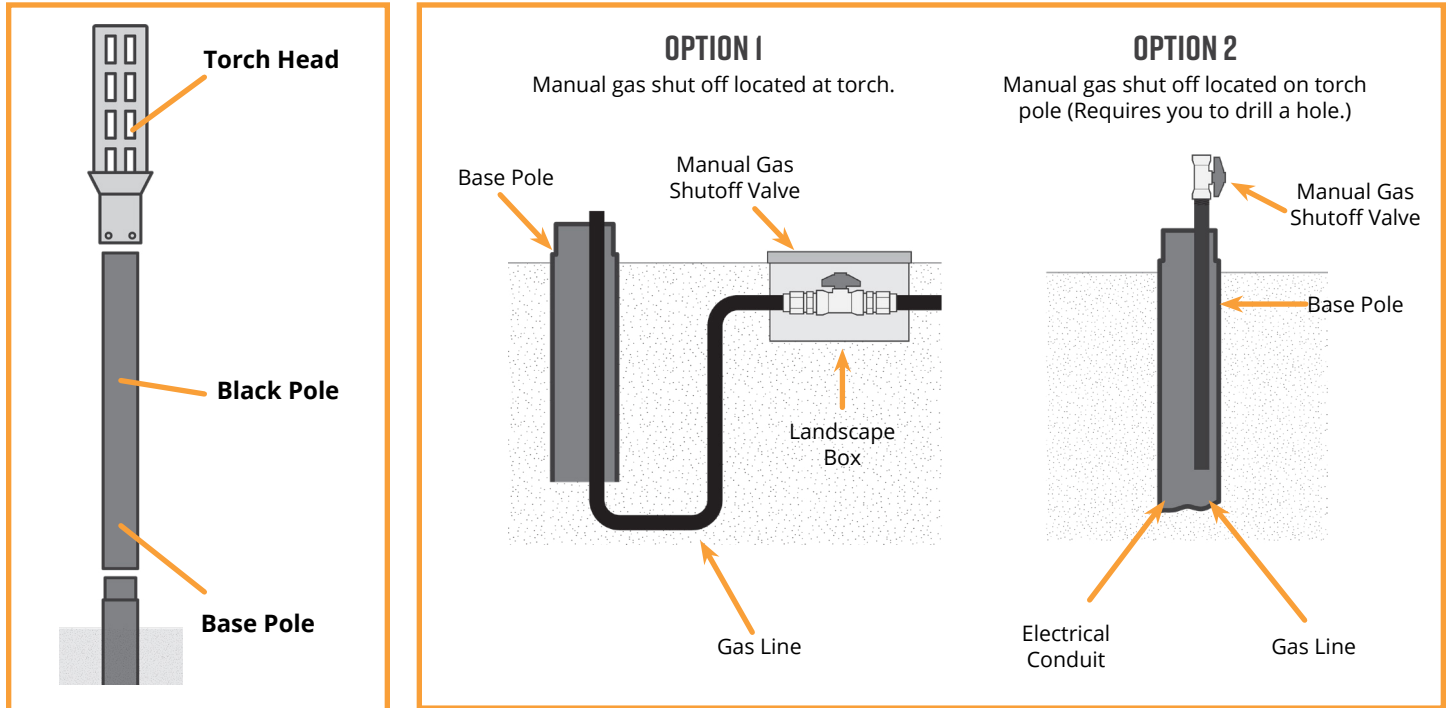
We suggest that our products be serviced by a professional certified in the U.S. By the National Fireplace Institute as a NFI Specialists



# INSTALLATION

**Note:** Installation should be done by a qualified service technician that is locally licensed.

## TIKI TORCH COMPONENTS MANUAL SHUT OFF OPTIONS



## INSTALLATION OF BASE POLE

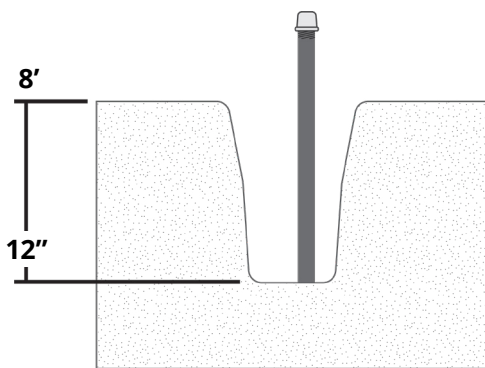


DIAGRAM 1

### STEP 1

Diagram 1 shows 1/2" gas stub stubbed up inside a hole. The hole is 12" deep.

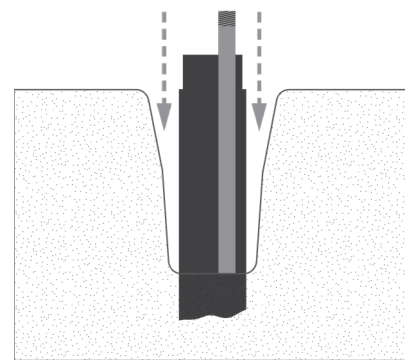


DIAGRAM 2

### STEP 2

Diagram 2 shows the Base Pole. Slide it over the Gas stub. Adjust the height of the Base Pole so that the tapered top end of the Base Pole ended up above grade. Do this to make the connection between the Base Pole and the Tiki Pole easier later on.

# INSTALLATION

## STEP 3

If you are installing the Manual Gas Shutoff on the Tiki Pole (Option 2 from page 7) first remove the handle from the Ball Valve and then install the ball valve on the  $\frac{1}{2}$ " gas riser as shown in diagram 3.

The use of pipe dope or Gas Teflon tape is highly recommended to prevent a possible gas leak.

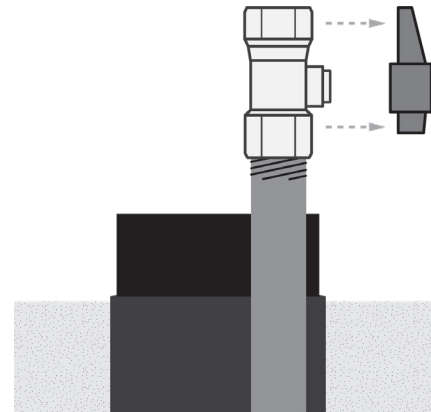


DIAGRAM 3

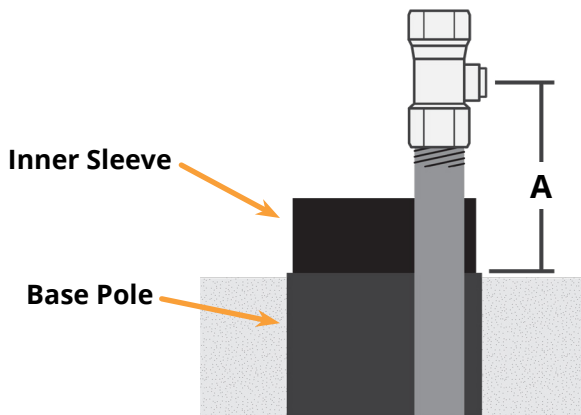


DIAGRAM 4

## STEP 4

Once the Manual Gas Shutoff is installed, measure from the center of the Gas Shutoff to the top of the Black Base Pole. This dimension we shall refer to as measurement "A". See diagram 4

## STEP 5

Temporarily install the longer pole and measure from the seam between the Base Pole and the top of the long tiki pole. This dimension we will refer to as measurement "B".

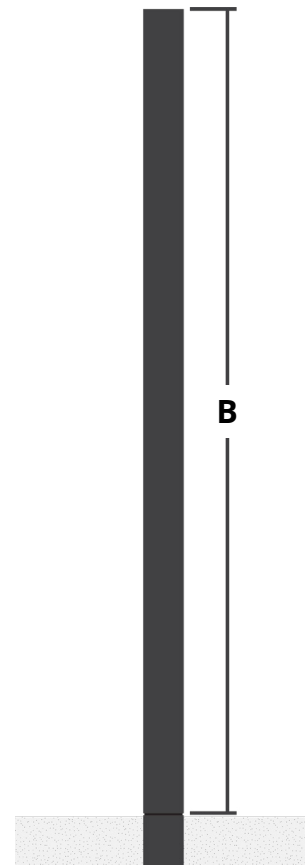


DIAGRAM 5

# INSTALLATION

## STEP 6

Install ½" gas hose to your gas riser (or manual gas shutoff valve) so that the end of the ½" gas line is 1" SHORTER than the pole (measurement "B" from the previous page)

In addition, bring the wires previously installed up along the gas line and tape it to the gas line in anticipation of installing the longer tiki pole.

## STEP 7

As shown in diagram 6, Measure from the bottom of the long tiki pole up to measurement "A" and mark the pole. Then drill a 1" diameter hole in the side of the pole for the Manual Gas Shutoff Valve.

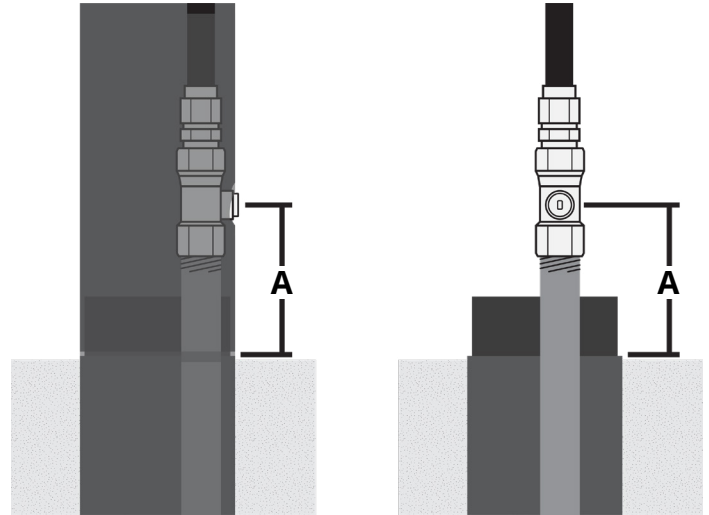


DIAGRAM 6

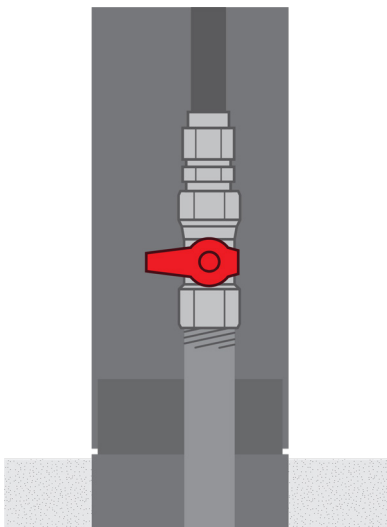


DIAGRAM 7

## STEP 9

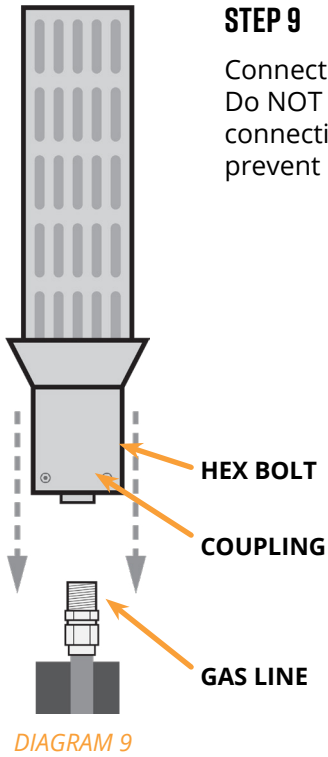
Next install the Manual Gas Shutoff Valve as shown in diagram 7.



# INSTALLATION THE TORCH HEAD

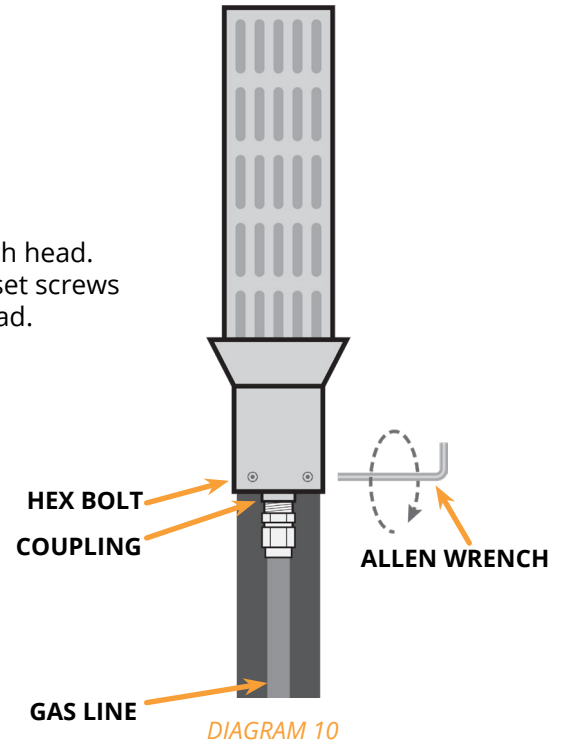
## STEP 9

Connect the gas line to the head of the tiki torch.  
Do NOT use pipe dope or plumbers tape on flared connections. Ensure connections are tight to prevent any gas leaks.



## STEP 10

Insert the pole into the torch head.  
Secure by tightening the 3 set screws in the base of the torch head.  
See diagram 10.



## FIRE PIT OPERATION

**WARNING:** before use, be sure to test all gas connections for leaks. Do not use torches if there is any evidence of leaking gas. If leaking gas suspected, turn off the main gas supply and repair immediately.

**WARNING:** Wind and gusty conditions will affect the flame in an unpredictable manner. If conditions exist that are not safe for patrons, turn the torches off.

**WARNING:** solid fuels shall not be burned in the fire pit. Leaves, sticks, wood, paper, clothing, food material, should be kept away from the fire pit. Fire pit is not for cooking. Make sure that there is no vegetation or other objects over the top or sides of the fire pit that could interfere with safe operation. See clearances at the end of this document

**WARNING:** when torch is not in operation turn off gas valve.

**IMPORTANT:** Initial Start Up: It may be necessary to purge air in gas lines after system installation.

### START UP

- › STOP! Read the safety information on “What to do if you smell gas. (Pg. 4)
- › Ensure torch is clear of people, debris, that all covers are removed and the feature is safe to start.
- › Place long handled lighter or match while burning on top or in the torch.
- › Slowly turn “ON” gas valve
- › After torch ignites, remove lighter or match.
- › Adjust flame to desired height
- › If the torch does not ignite, turn valve off and allow gas to clear the repeat steps 3-7.
- › Never alter the design of the torch
- › Ensure torch, children and patrons are supervised by a responsible adult that is familiar with emergency shut down.
- › Flammable materials should not be placed on or near the fire pit.

### SHUT DOWN

- › Turn “OFF” gas valve.

## MAINTENANCE

**WARNING:** Installation and repair should be done by a qualified service person. Fire feature should be inspected prior to use and at least annually by a qualified service person.

**WARNING:** Ensure gas and power (if applicable) are shut off and fire pit is cool before servicing.

- › Keep any debris out of the burning area, clean as needed.

## TROUBLE SHOOTING

Below are some potential causes and countermeasures to the symptoms indicated in bold. If still unable to resolve issue, please contact your retailer or certified technician.

### Will Not Light

Air in gas line	If new install, may take several attempts to purge air
Debris n gas line	Confirm gas line is clear (insulation, dirt, plastic, excessive pipe sealer etc..)
Improper gas pressure	Confirm proper gas pressure found

### Will Not Stay Lit

Improper gas pressure	Confirm proper gas pressure found (Section 1)
Improperly applied media	Review media

### Noise

Whistling Sound	Change flex line routing. Confirm whistle free lines are being used.
-----------------	----------------------------------------------------------------------

## CLEANING, MAINTENANCE & STORAGE

### CLEANING

Inspect the appliance before initial use. Clean the appliance at least annually and have it inspected by a qualified field service person.

Periodically examine the burner. If the burner is dirty, clean it with a soft wire brush. Remove any dirt or debris in this area. This will ensure long life and trouble-free operation.

The easiest way to clean the fire pit is to let it cool completely off. Spray the enclosure off with water. Note: Do NOT spray water directly onto the burner and igniter, and wipe clean with a dry cloth.

When not in use and after cooling, cover your fire pit with a full length cover. The cover will help protect your fire pit from detrimental effects of weather and environmental pollutants (see your local Outdoor Plus dealer for details).

Before placing the cover on the fire pit, make sure the unit is shut off, that the gas lines are disconnected and that the unit has had sufficient time to cool.

More frequent cleaning may be required as necessary. It is imperative the control compartment, burner and circulation air passageways of the appliance be kept clean and free.

### MAINTENANCE

Periodically check the hose connecting the propane gas cylinder to ensure it is not cracked or damaged in any way. All natural gas hook-ups should be serviced and inspected only by qualified installers only.

Spiders and other insects can nest in the burners and block the gas and airflow to the burner ports. This creates a dangerous condition that can result in a fire from behind the valve panel. Inspect and clean the burners periodically.

Any guard or other protective device removed for servicing the appliance must be replaced prior to operating the appliance.

Inspect the fuel supply connection for signs of leakage (including the hose for propane models) before each use of the appliance.

Do not repair or replace any part of your torch. Have a qualified technician perform all service. Any repairs made by a non-approved service technician will void your warranty.

### STORAGE

When your torch is not in use, turn off the gas at the source.

This appliance can be store indoors only if it has been disconnected from its fuel supply.

Store propane cylinders outdoors in a well-ventilated area out of reach of children. Disconnected cylinders must have threaded valve plugs tightly installed and must not be stored in a building, garage, or any other enclosed area.

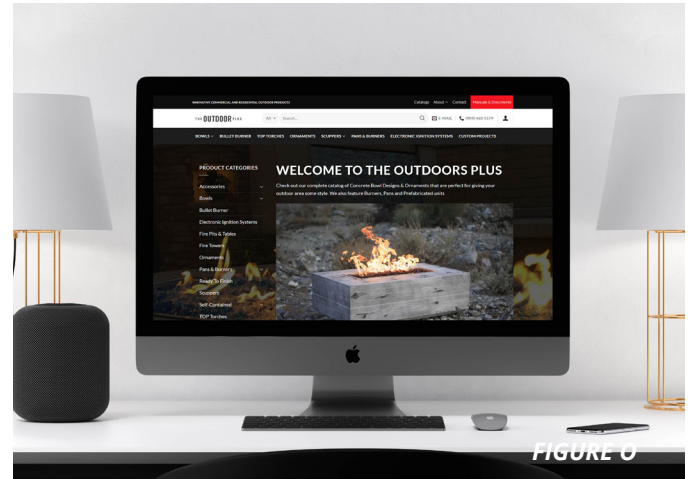
Ensure the appliance has ample time to cool off after use and prior to installing storage cover.

## REPLACEMENT PARTS

A complete catalog of products and replacement parts available from The Outdoor Plus can be found online at [www.theoutdoorplus.com](http://www.theoutdoorplus.com) You can find a full range of products and accessories, including:

- > Burners: Pan burners, H burners, fire pit rings.
- > Decorative glass and ecoglass.
- > Fireplaces, fire pits, fire tables, fire bowls, custom fire burners and custom pan burners.
- > BBQ islands.

Custom items are always available contact us at (909) 460-5579 or send us a message at [sales@theoutdoorplus.com](mailto:sales@theoutdoorplus.com)



## ONE YEAR LIMITED WARRANTY

This product is warranted to be free from defects in material and workmanship for one year from the date of purchase.

If a part proves to be defective under normal use, the part will be repaired or replaced. Our obligation under this warranty is to repair or replace defective parts at our discretion. If we determine that repair of a covered item is not feasible, we reserve the right to replace the defective merchandise with merchandise equal in value to the original purchase price. Warranty repair or replacement are the sole discretion of The Outdoor Plus and this warranty does not cover costs therein, including but not limited to: freight, removal, re-installation, etc.

There will be no charge for parts on a covered item, however, cost of labor is the responsibility of the owner. Shipping and handling charges will apply to all warranted replacement parts. The service agent may assess a reasonable travel or mileage charge per service call.

This warranty is non-transferable.

Decorative stones and decorative glass are not covered by this warranty.

This warranty is void if the fire pit has been subject to negligence, alteration, misuse, repairs, dings, dents, scratches, or incorrect and / or prohibited applications as specified in the owner's manual. Natural gas lines

must be installed by a licensed plumber only or local gas company agent.

For more information regarding the warranty please send any questions to [sales@theoutdoorplus.com](mailto:sales@theoutdoorplus.com).

# CLEARANCE FROM COMBUSTIBLES

## INSTALLATION

We suggest that our products be installed by professionals that are locally licensed by the authority having jurisdiction in gas piping.

## FLOORING

All fire pits and fire features must be installed on non-combustible flooring. If the fire feature is installed on a combustible floor, such as wood decking, a non-combustible floor paneling **MUST** be properly installed underneath the fire unit.

## SERVICE

We suggest that our products be serviced by a professional certified in the US by the National Fireplace Institute (NFI) as NFI Gas Specialists.

