

**TAVOLO NG & LP
MATCH LIT + FLAME SUPERVISION**

Fire is beautiful and also dangerous if not handled properly. Please have a qualified gas fitter setup and install this product according to local codes.

This product has been tested and certified by Labtest Certification Inc. as being safe, as long as these **minimum clearances** to adjacent materials are maintained.

FOR OUTDOOR USE ONLY

NORTH AMERICA SPECIFICATIONS

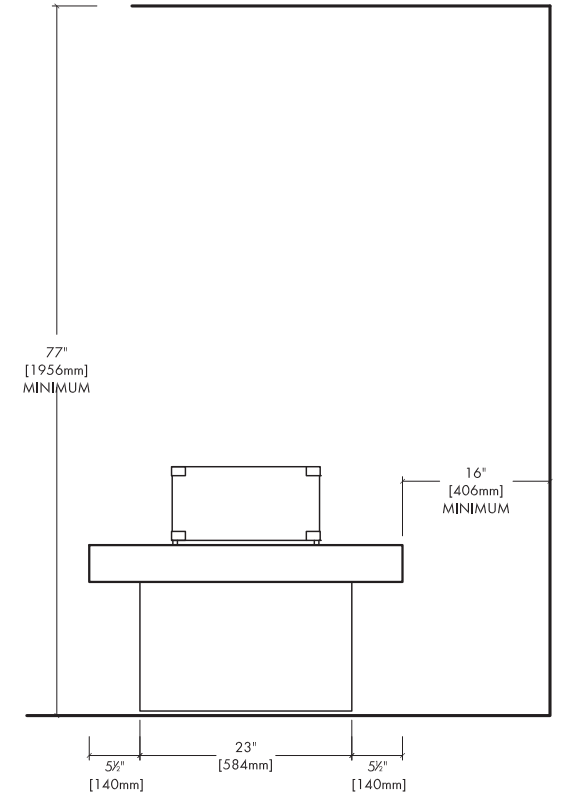
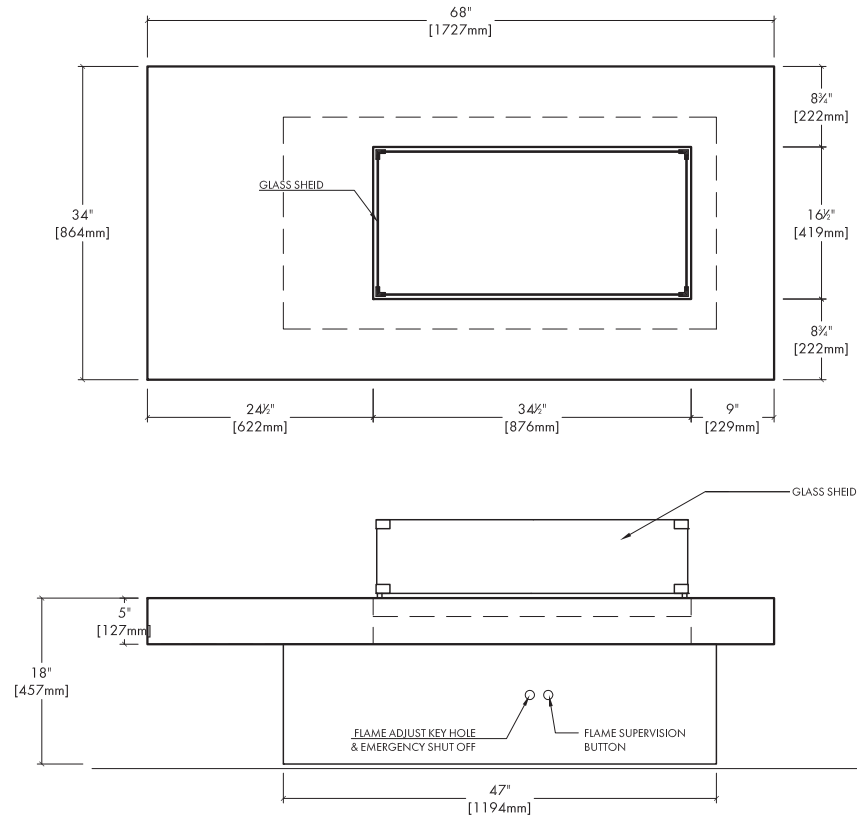
Gas type:	<u>Natural Gas</u>	<u>Propane</u>
Inlet press:	7.0" w.c.	11" w.c.
Manifold press:	2.5" w.c.	5.6" w.c.
Heat Output:	75,000 BTU	75,000 BTU

ANSI Z21.97-2014
CSA 2.17-2017



CONCRETE SPECS

Strength:	10,000 psi (proprietary)
Weight: top	410 lbs / 186 kg
base	318 lbs / 145 kg



CLEARANCES to ADJACENT MATERIALS

ACCESSORIES

- 1/ All Weather Fabric Cover /extends warranty.
- 2/ Glass wind guard (Included).

JOB / ORDER
Name or Number:

Signature & Date:

TAVOLO NG & LP
ELECTRONIC START
ADJUSTABLE FLAME

Fire is beautiful and also dangerous if not handled properly. Please have a qualified gas fitter setup and install this product according to local codes.

This product has been tested and certified by Labtest Certification Inc. as being safe, as long as these **minimum clearances** to adjacent materials are maintained.

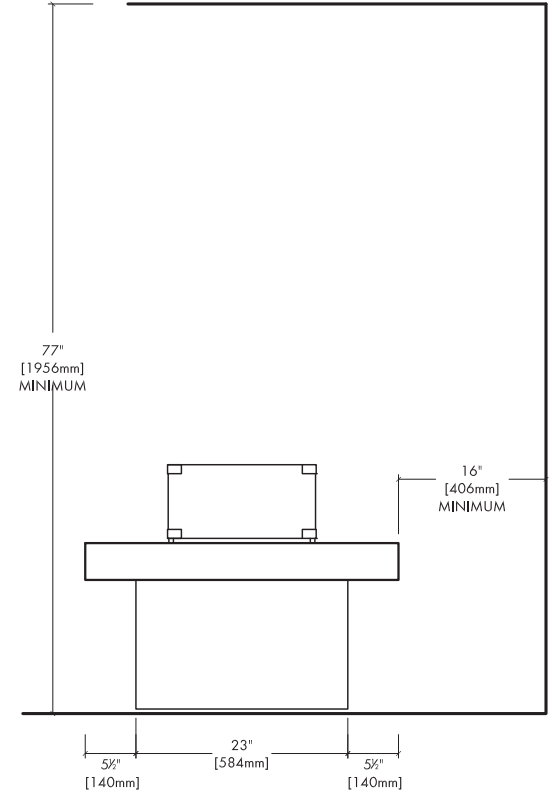
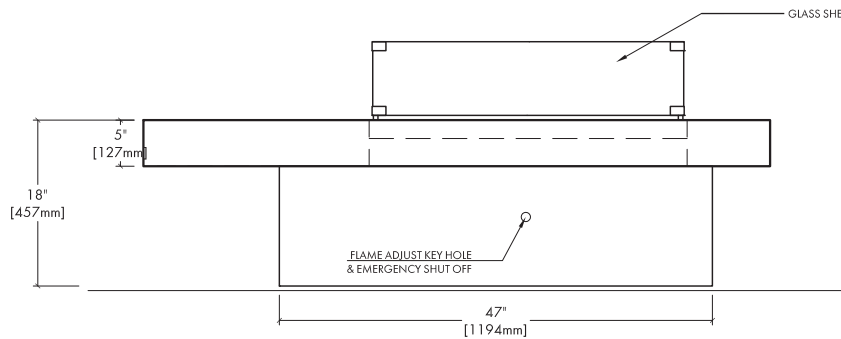
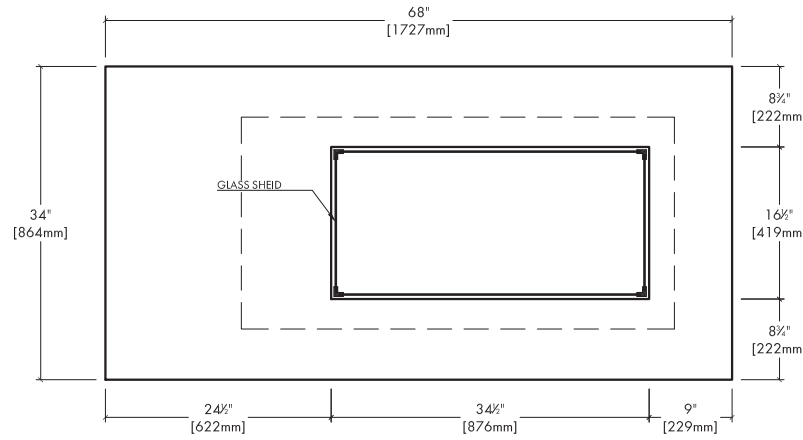
FOR OUTDOOR USE ONLY

NORTH AMERICA SPECIFICATIONS

Gas type:	<u>Natural Gas</u>	<u>Propane</u>
Inlet press:	7.0" w.c.	11" w.c.
Manifold press:	4.5" w.c.	5.9" w.c.
Heat Output:	90,000 BTU	90,000 BTU

Electrical: 120 Vac, 1.5A, 60Hz or 24Vac, 20VA

ANSI Z21.97-2014
CSA 2.17-2017



CLEARANCES to ADJACENT MATERIALS

NOTE:

The site Electrician must provide a switched electrical line to the firepit location.
SEE: *Electronic Ignition Set up Schematic.*

CONCRETE SPECS

Strength: 10,000 psi (proprietary)
Weight: top 410 lbs / 186 kg
base 318 lbs / 145 kg

ACCESSORIES

1/ All Weather Fabric Cover /extends warranty.
2/ Glass wind guard (Included).

JOB / ORDER
Name or Number:

Signature & Date: