

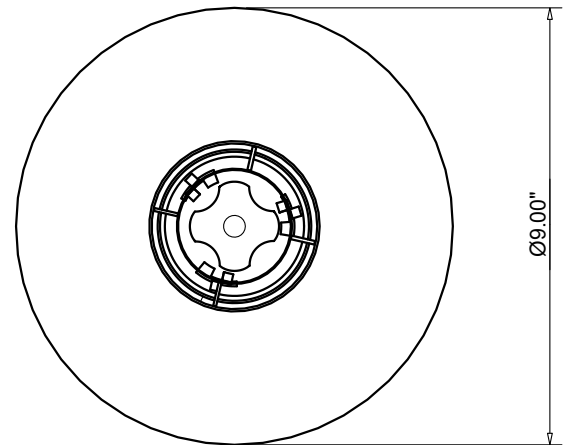
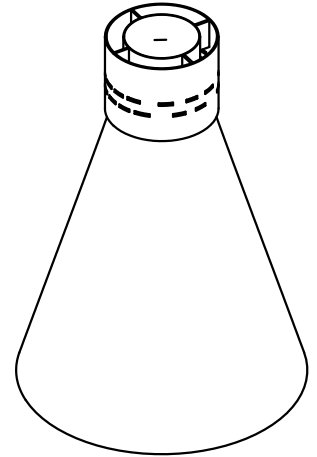
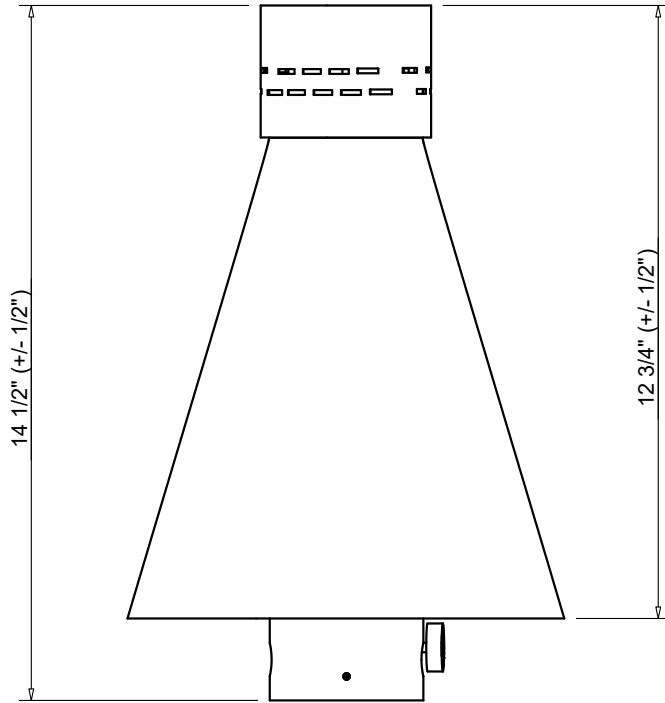


FIRE INSPIRED®

Hearth Products Controls Co
OUTDOOR USE ONLY

FOR COMMERCIAL AND RESIDENTIAL USE

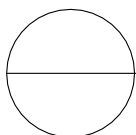
HEARTH PRODUCTS CONTROLS
2225 LYONS RD.
MIAMISBURG, OH 45342
TOLL FREE: 877.585.9800
PHONE: 937.436.9800
www.hpcfire.com



PART NUMBERS	STND BTU	STYLE	
		KANO MATERIAL	WITH OR WITHOUT POST
TK40MAN-B	25K	BLACK ALUMINUM	WITH 96" POST
TKHEAD40MAN-B	25K	BLACK ALUMINUM	TIKI TOP ONLY
TK40MAN-C	25K	HAMMERED COPPER	WITH 96" POST
TKHEAD40MAN-C	25K	HAMMERED COPPER	TIKI TOP ONLY

Notes:

- FOR USE WITH FIXED PIPING SYSTEMS ONLY.
- NOT FOR USE WITH SMALL TANKS.
- RESIDENTIAL GAS PRESSURE ONLY
 - Natural Gas: Supply Pressure: Minimum: 3.5" W.C.; Maximum: 7.0" W.C.
 - LP Gas: Supply Pressure: Minimum: 8" W.C.; Maximum: 11.0" W.C.
- MODIFICATION OF PRODUCT WILL VOID ANY CERTIFICATION AND WARRANTY.
- FOLLOW ALL MANUFACTURER INSTALLATION INSTRUCTIONS AND LOCAL CODES.
- ALL DIMENSIONS ARE CONSIDERED TRUE AND REFLECT MANUFACTURER'S SPECIFICATIONS AS OF THE REVISION DATE.
- DO NOT SCALE DRAWING.
- THESE DRAWINGS ARE FOR SIZING AND PLANNING PURPOSES. ALL INFORMATION CONTAINED HEREIN WAS CURRENT AT THE TIME OF DEVELOPMENT. THE MANUFACTURER'S RESPONSIBLE FOR THE ACCURACY OF THE DRAWING.
- CONTRACTOR'S NOTE: FOR PRODUCT AND COMPANY INFORMATION VISIT www.CADdetails.com/info REFERENCE NUMBER 771-075.



MATCH LIT TK TORCH - 9/23/2020

TK TORCH - MLFPK

