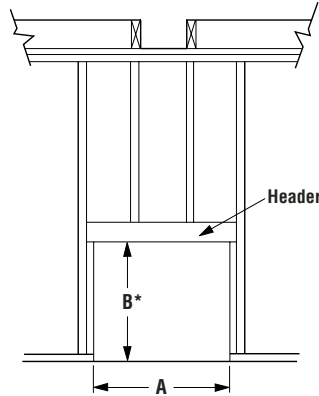


# VRE3200 36/42

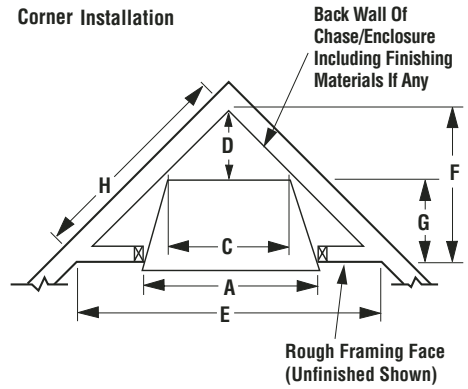
## OUTDOOR DECORATIVE GAS FIREPLACE

Framing Dimensions

Opening	VRE3236	VRE3242
A	42-3/4" (1086)	48-3/4" (1238)
B	46-1/2" (1181)	46-1/2" (1181)
C	23-5/8" (600)	29-5/8" (753)
D	11-1/4" (286)	14-1/4" (362)
E	63-1/2" (1613)	69-1/2" (1765)
F	31-3/4" (807)	34-3/4" (883)
G	20-1/2" (521)	20-1/2" (521)
H	44-1/4" (1124)	49-1/8" (1248)



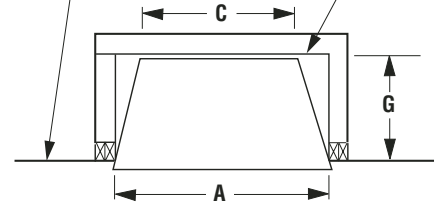
\* Increase Framing Height By 3/4"  
When Using Optional Drain Pan



Parallel Installation

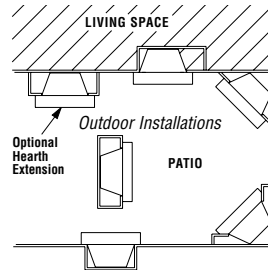
Rough Framing Face (Unfinished Shown)

Back Wall Of Chase/Enclosure Including Finished Materials - If Any

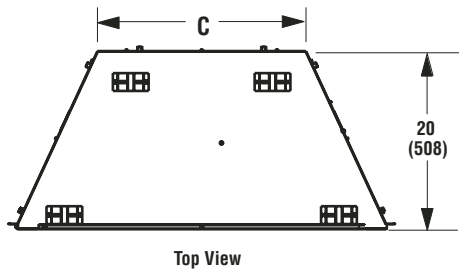


Listing Information

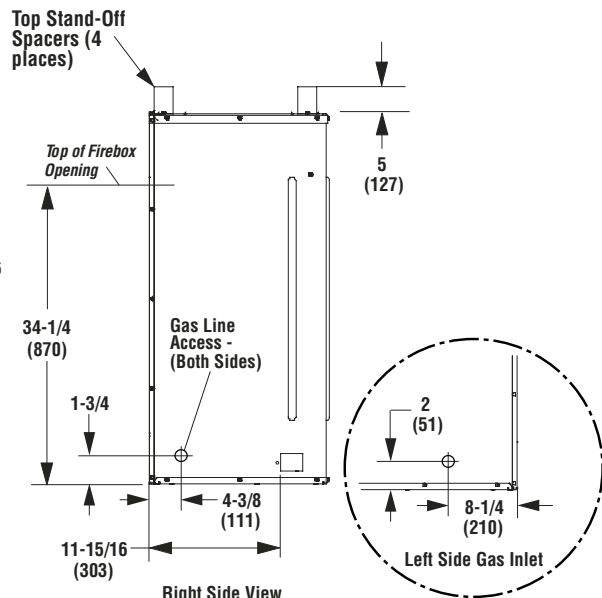
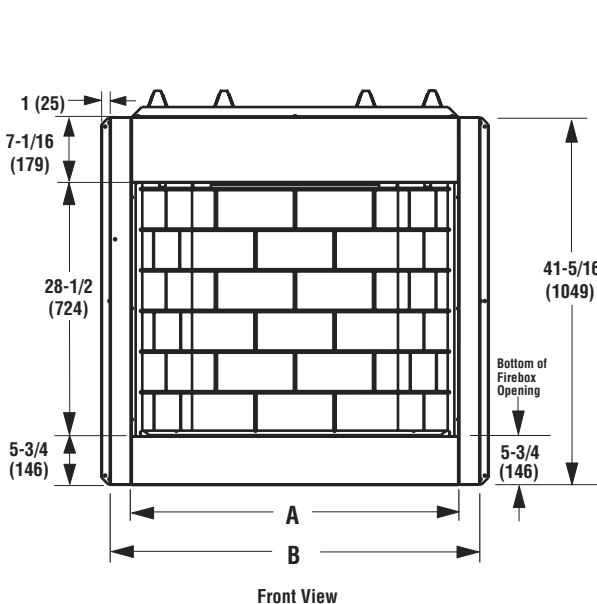
These appliances comply with National Safety Standards and are tested by PFS Corporation (Report No. F14-020) and listed by ANSI Z21.97 (2017) in USA and to CSA 2.41 (2017) in Canada, as outdoor gas fireplaces.



Fireplace Specifications



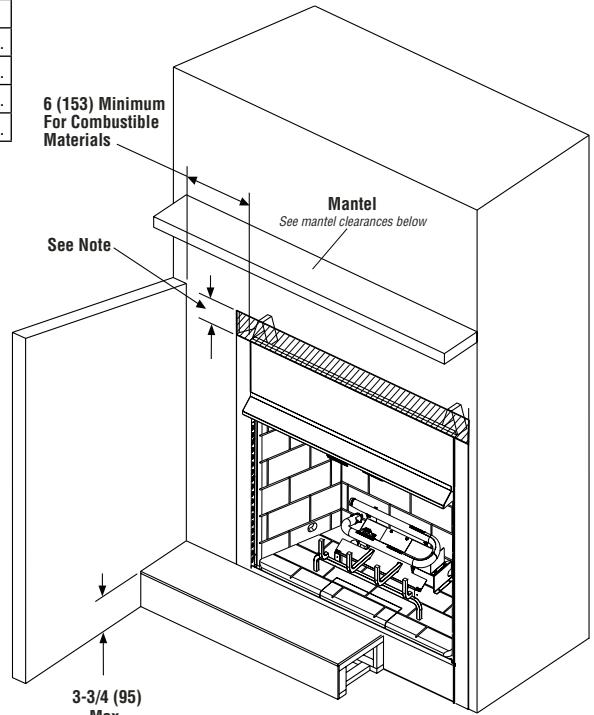
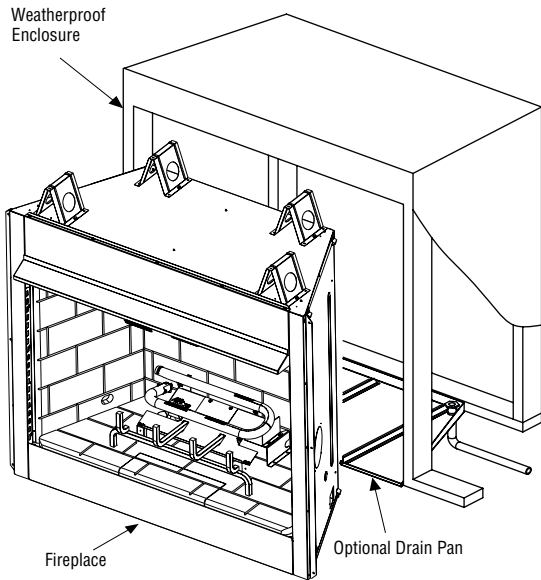
Dimensions - Inches (millimeters)			
Model	A	B	C
VRE3236	37 (940)	41-3/4 (1061)	23-1/2 (597)
VRE3242	43 (1092)	47-3/4 (1213)	29-1/2 (749)



# VRE3200 36/42

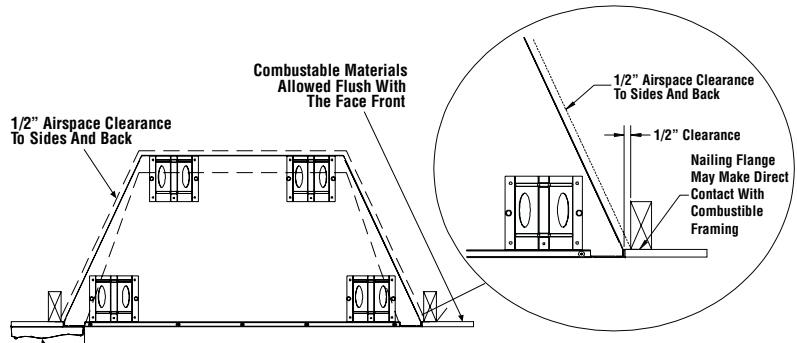
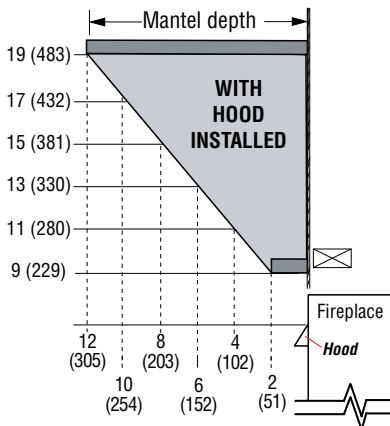
Cat.#	Model	Ship Wt.	Ship. Vol.	Cat.#	Model	Ship Wt.	Ship. Vol.
F4118	VRE3236ZENWS	260 lb.s	28.424 Cu. Ft.	F4122	VRE3242ZENWS	290 lb.s	32.184 Cu. Ft.
F4119	VRE3236ZENWH	260 lb.s	28.424 Cu. Ft.	F4123	VRE3242ZENWH	290 lb.s	32.184 Cu. Ft.
F4120	VRE3236ZEPWS	260 lb.s	28.424 Cu. Ft.	F4124	VRE3242ZEPWS	290 lb.s	32.184 Cu. Ft.
F4121	VRE3236ZEPWH	260 lb.s	28.424 Cu. Ft.	F4125	VRE3242ZEPWH	290 lb.s	32.184 Cu. Ft.

Typical Installation



**NOTE:** The area above the face to the top of the spacers must be non-combustible materials.

## Mantel Clearances



**TOP VIEW**  
Noncombustibles May Overlap The Face  
No Material Within The Face Opening

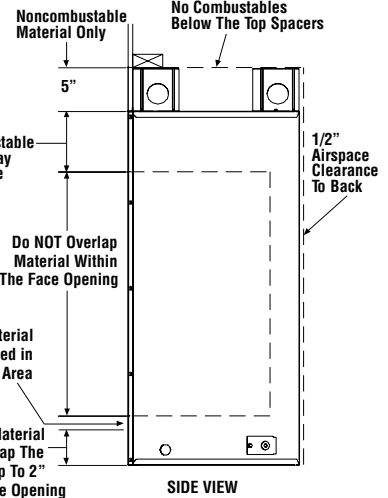
### CLEARANCES

Minimum clearance to combustibles for the fireplace is as follows: sides and back - 1/2" (13mm), combustible floor - 0" (0mm), adjacent wall 6" (152mm), ceiling - 50" (1270mm).

**NOTE:** Clearance behind the nailing flange for both fireplace models is 1/2" (13mm).

**NOTE:** Adjacent wall considerations are for an adjacent wall to only a single side. Walls should not be placed at the minimum distance on both sides of the fireplace. Allow at least 4 feet on one side of the fireplace.

The StarLiteLX Series Outdoor Gas Fireplace is designed for outdoor use. It may also be installed in screened porches and lanais that meet these minimum requirements:  
 Minimum porch area - 96 sq. ft.  
 Minimum ceiling height - 7' 8"  
 A minimum of two (2) walls can be screened but must be open to outside ventilation.  
 Minimum screen area - 64 sq. ft.  
 Minimum screen top height - 6' 8"



Clearances

