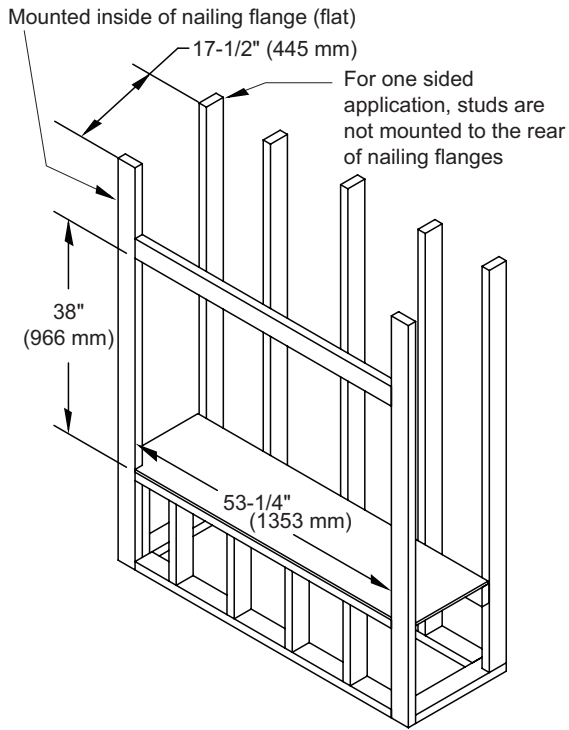


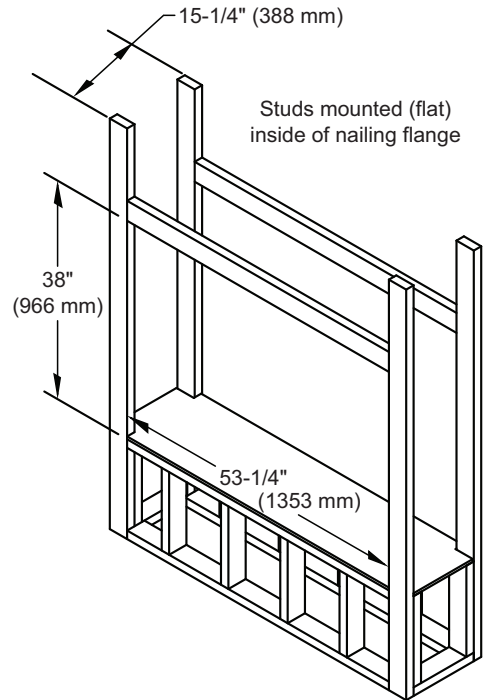
VRL4543 SERIES

VENT-FREE FIREPLACES

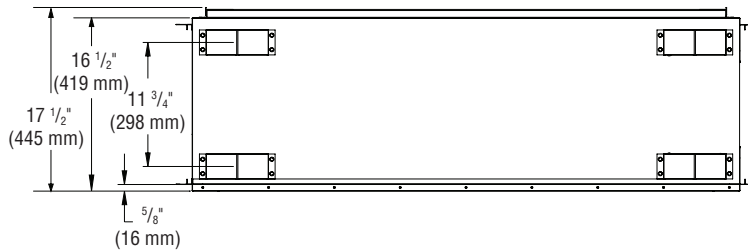
Framing Dimensions



Framing Dimensions for One Sided Application

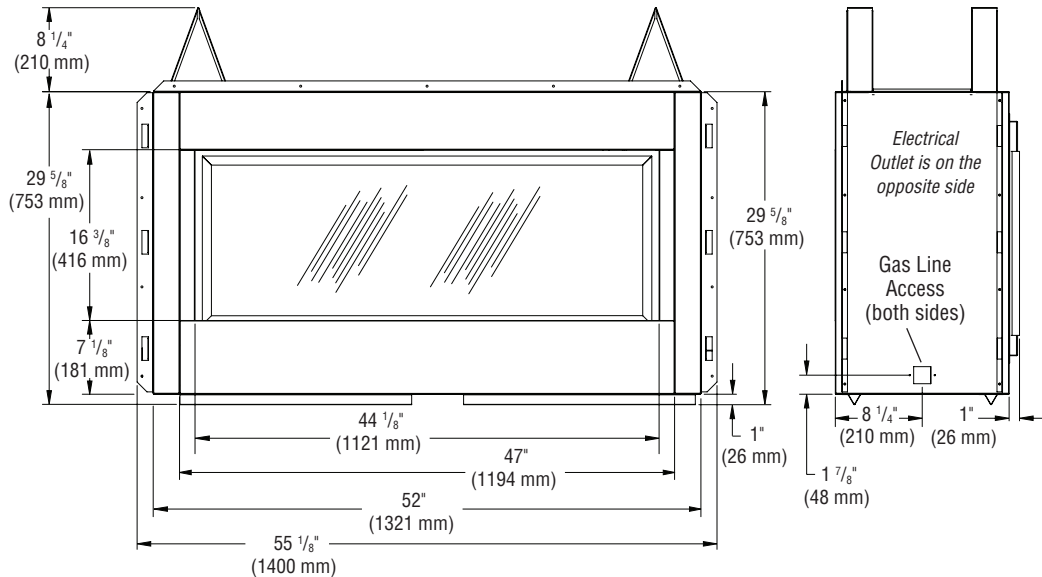


Framing Dimensions for See-Thru Application



Diagrams, illustrations and photographs are not to scale. Consult installation instructions. Product designs, materials, dimensions, specifications, colors, and prices are subject to change or discontinuance without notice.

Fireplace Dimensions



VRL4543 SERIES

Product Info

Cat. No.	Model	Weight	Cu. Ft.
F1186	VRL4543ZEN	276 lb	24.5
F1187	VRL4543ZEP	276 lb	24.5

Listing



These appliances comply with National Safety Standards and are listed by PFS Corporation to ANSI Z21.11.2 as unvented Gas-fired room heaters.

Report No. F11-054

Minimum clearances to combustibles for the fireplace are as follows:

*Back and Sides	1"	26 mm
Perpendicular Walls	8"	203 mm
Floor (from bottom of fireplace)	0"	0 mm
Ceiling (from top of opening)	42"	1067 mm
Top of Standoffs	0"	0 mm

*For back and sides of fireplace, do not pack with insulation or other materials.

Hearth Extension

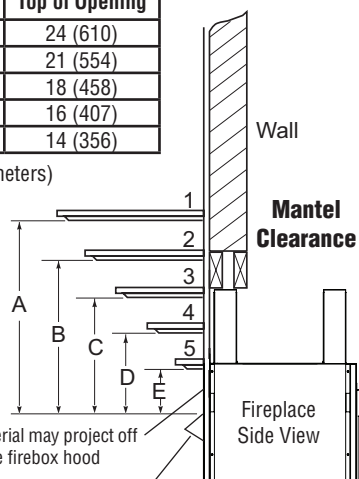
A hearth extension is not required with this fireplace. Any hearth extension used is for appearance only and does not have to conform to standard hearth extension installation requirements.

Clearances

Ref.	Mantel Depth	Ref.	Mantel from Top of Opening
1.	12 (305)	A	24 (610)
2.	9 (229)	B	21 (554)
3.	6 (152)	C	18 (458)
4.	4 (102)	D	16 (407)
5.	2 (51)	E	14 (356)

Inches (millimeters)

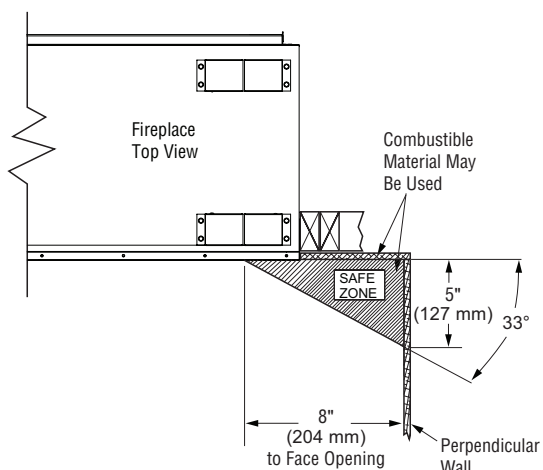
NOTE: All vertical measurements are from top of fireplace hood opening to bottom of mantel shelf.



Noncombustible material may project off this surface above the firebox hood

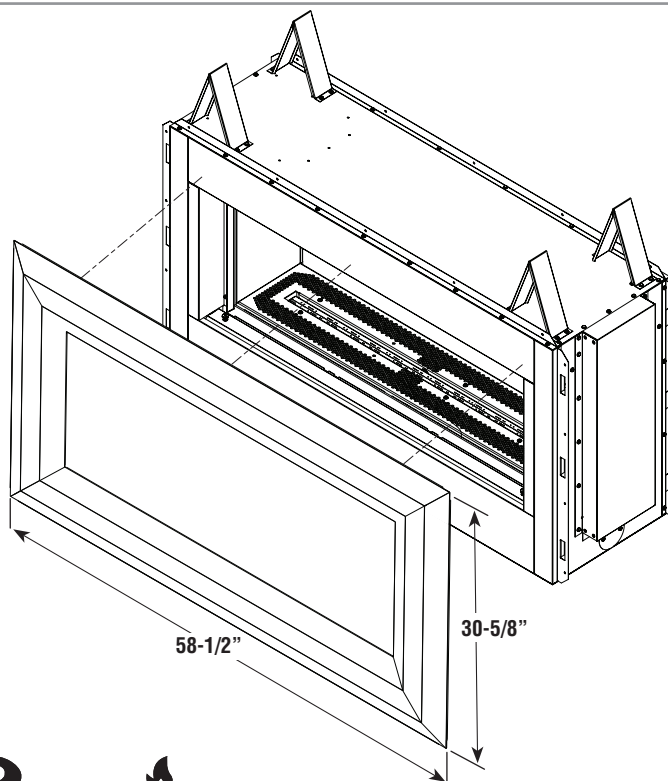
Supplied firebox hood must be used at all times

Side Wall Clearance



Facade Dimensions

Optional Facade Kits		
Cat. No.	Model	Description
F1036	DFT43B	Decorative Face Trim, Black
F1037	DFT43AS	Decorative Face Trim, Aged Silver
F1038	DFT43AC	Decorative Face Trim, Aged Copper



Specifications and clearances are subject to change without notice. Refer to Installation Manual before installation of these appliances for updated dimensions and instructions.

NOTE: DIAGRAMS & ILLUSTRATIONS ARE NOT TO SCALE.

Printed in U.S.A. © 2016 Innovative Hearth Products
P/N 900628-01 REV. C 02/2019

Superior
FIREPLACES®