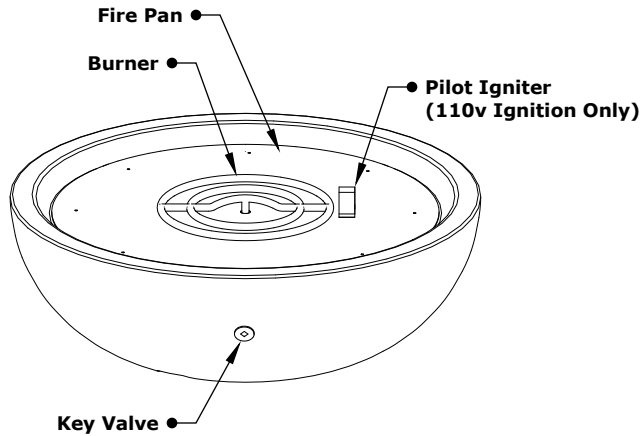
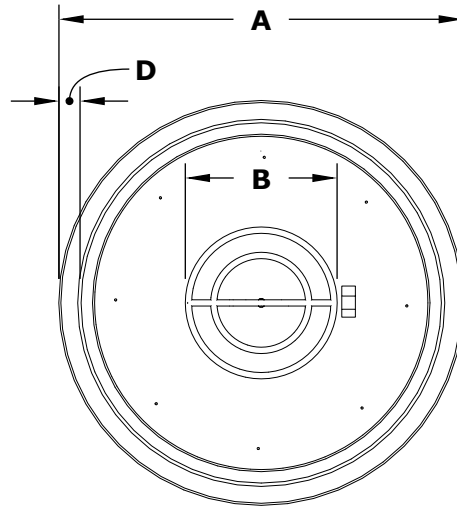


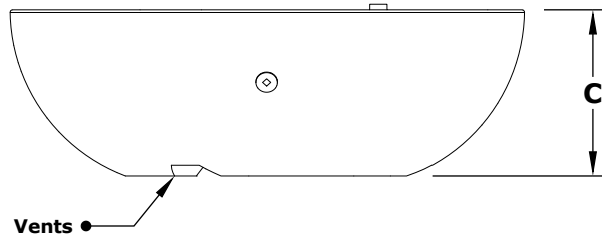
SEDONA CONCRETE FIRE PIT



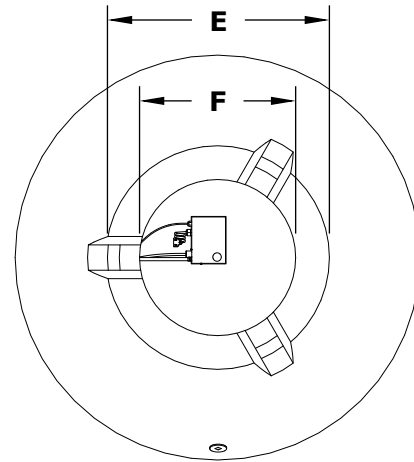
ISOMETRIC VIEW



TOP VIEW



FRONT SIDE VIEW



BOTTOM VIEW

SKU	A	B	C	D	E	F	BTU
OPT-SED48	48"	18"	15"	2.5"	27"	18.5"	65,000
OPT-SED48EKIT	48"	18"	15"	2.5"	27"	18.5"	60,000
OPT-SED60	60"	24"	16.5"	3"	40"	30"	60,000
OPT-SED60EKIT	60"	24"	16.5"	3"	40"	30"	65,000

Fire Pit Material: Concrete
Pan Material: 304 Stainless Steel
Burner Material: 304 Stainless Steel
Standard 2" Depth on all pans
110V ELECTRONIC IGNITION
ANSI Z21.97-(2017) / CSA 2.41-(2017)



Match Lit Unit Includes: Pan, Burner, Gas Orifice, Gas Hoses, Key Valve, Key,
110v Ignition Unit Includes: Pan, Burner, Gas Orifice, Gas Hoses, Key Valve, Key, Plug & Play Electronic Valve, Pilot Igniter.