

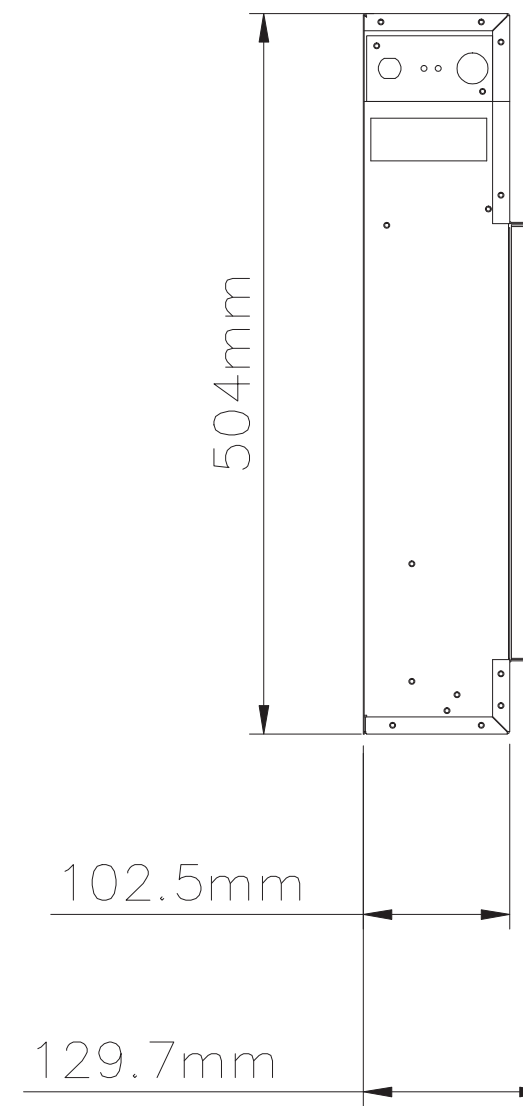
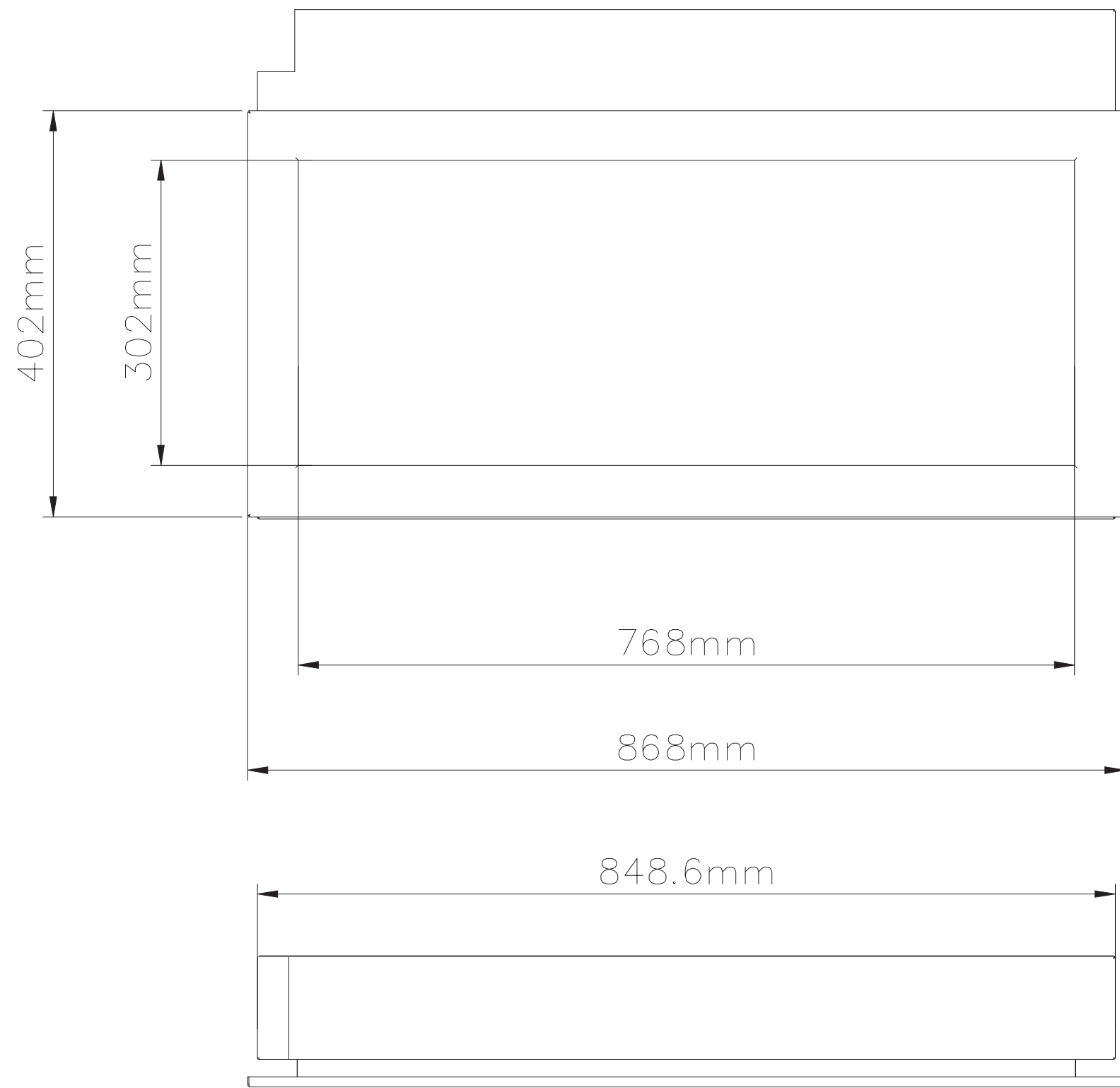


TECHNICAL SPECIFICATIONS	
VOLTAGE	120 AC 60 Hz
WATTS	1500 W Max
NO HEATER	25 W
MOTOR HEATER	19 W
APPLIANCE WIDTH	34 1/8"
APPLIANCE HEIGHT	19 7/8"
APPLIANCE DEPTH	4"
GROSS WEIGHT	46.3 lbs
PLUG LOCATION	Left side
CORD LENGTH	70 7/8"
ROUGH WALL OPENING	34" X 20 3/8"
BTU	4800




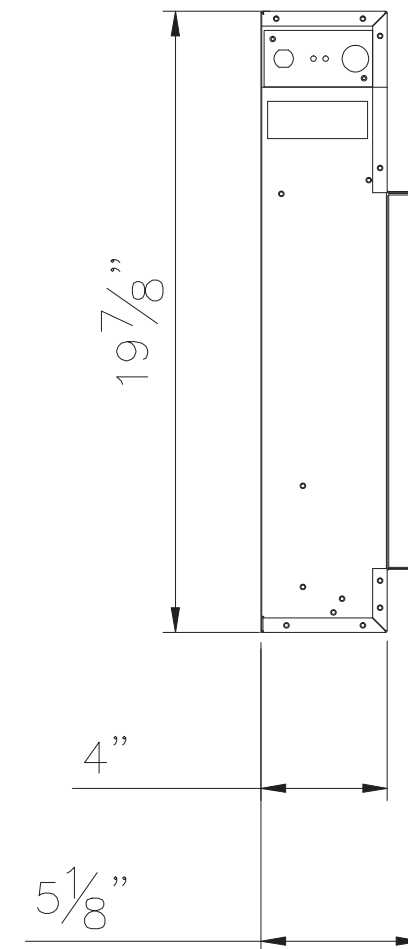
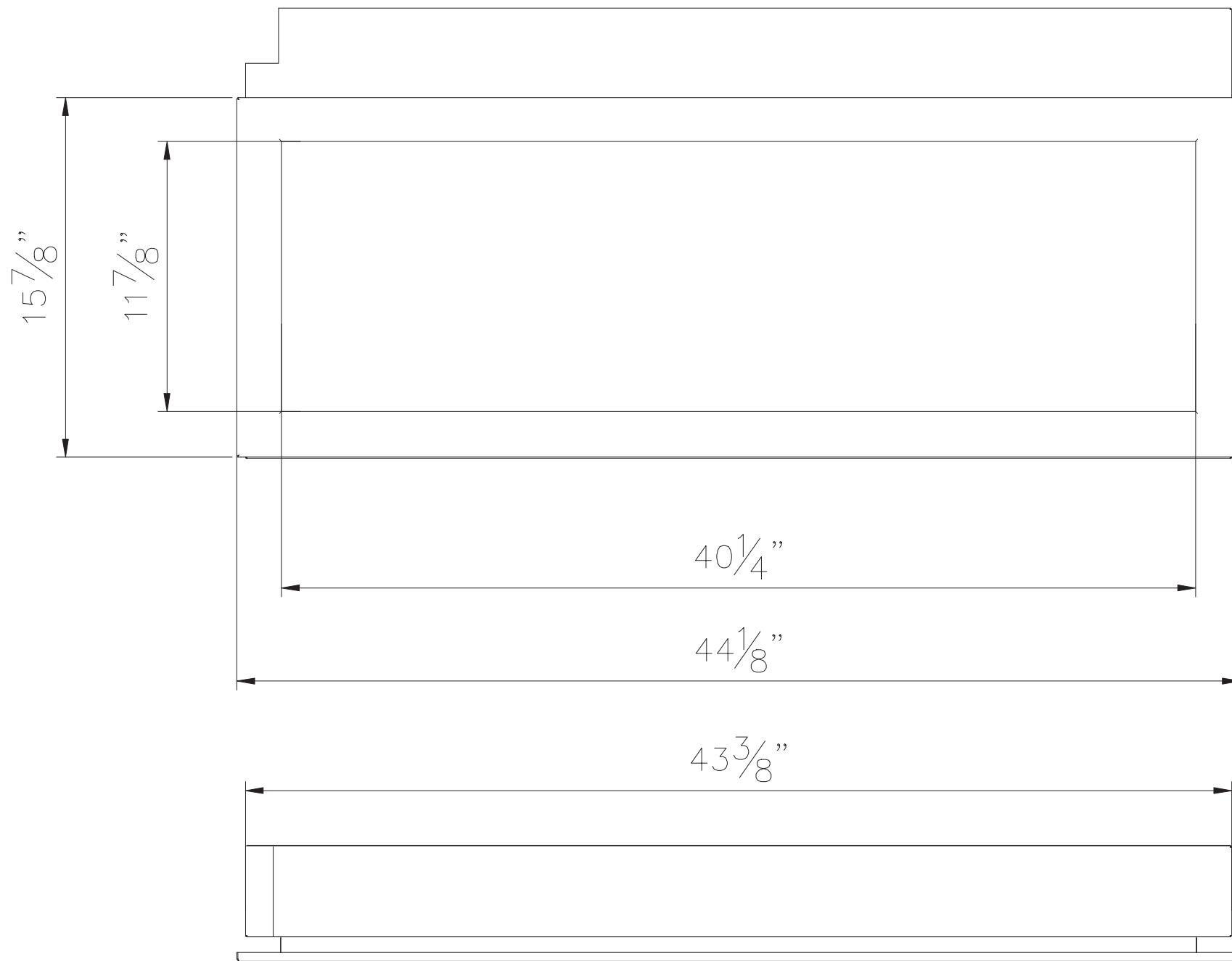
SERIES Built-In	MODEL BI-35-XTRASLSIM		REV 1
SCALE 1" = 1'-0"	DATE: 11/16/2017	SHEET 1 OF 1	



TECHNICAL SPECIFICATIONS	
VOLTAGE	120 AC 60 Hz
WATTS	1500 W Max
NO HEATER	25 W
MOTOR HEATER	19 W
APPLIANCE WIDTH	99.5 cm
APPLIANCE HEIGHT	50.4 cm
APPLIANCE DEPTH	10.25 cm
GROSS WEIGHT	21 kgs
PLUG LOCATION	Left side
CORD LENGTH	180 cm
ROUGH WALL OPENING	86.4 cm X 52 cm
BTU	4800



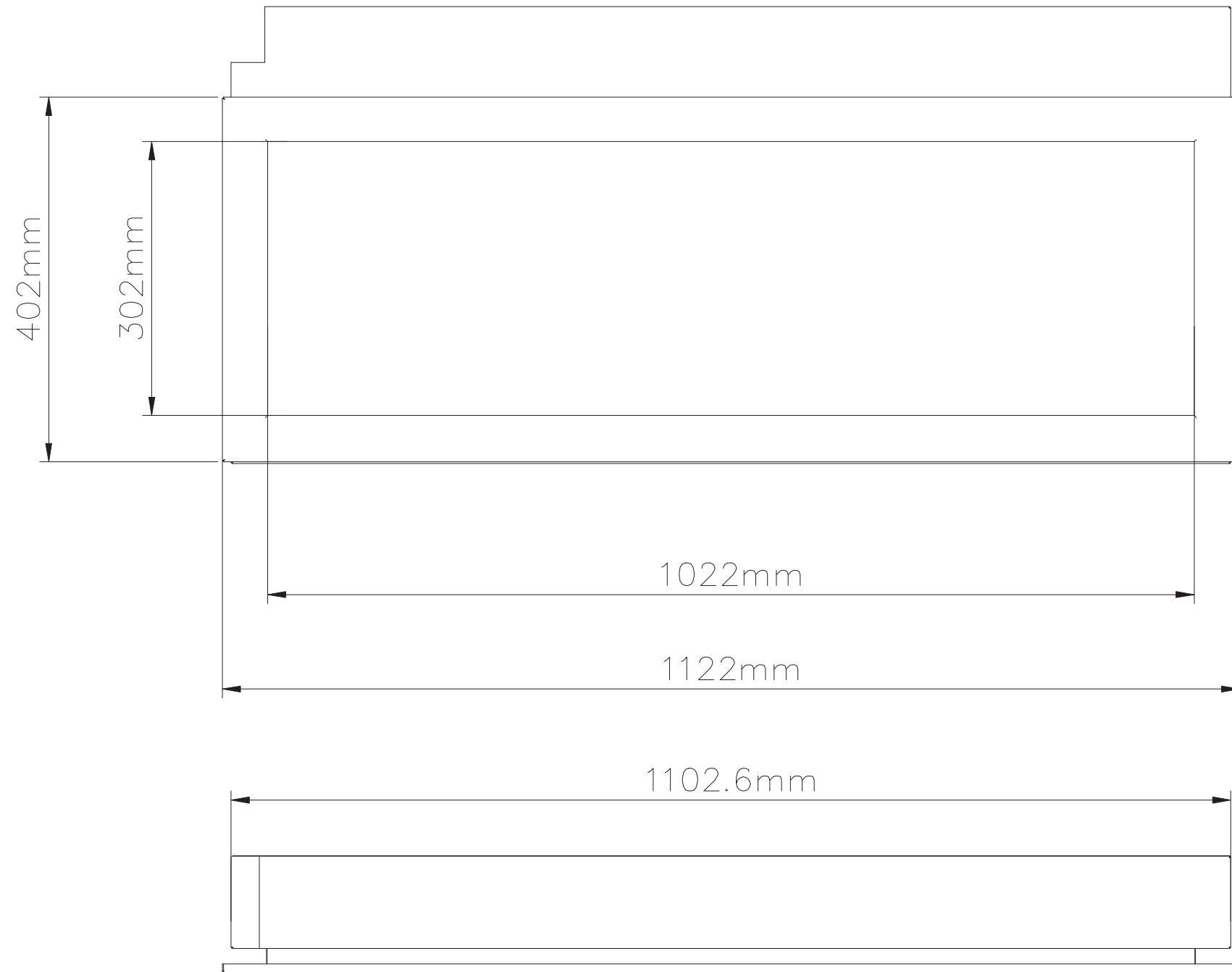
SERIES Built-In	MODEL BI-35-XTRASLSIM		REV 1
SCALE 1" = 1'-0"	DATE: 11/16/2017	SHEET 1 OF 1	




TECHNICAL SPECIFICATIONS	
VOLTAGE	120 AC 60 Hz
WATTS	1500 W Max
NO HEATER	25 W
MOTOR HEATER	19 W
APPLIANCE WIDTH	44 1/8"
APPLIANCE HEIGHT	19 7/8"
APPLIANCE DEPTH	4
GROSS WEIGHT	62 lbs
PLUG LOCATION	Left side
CORD LENGTH	70 7/8"
ROUGH WALL OPENING	44" X 20 3/8" or
BTU	4800




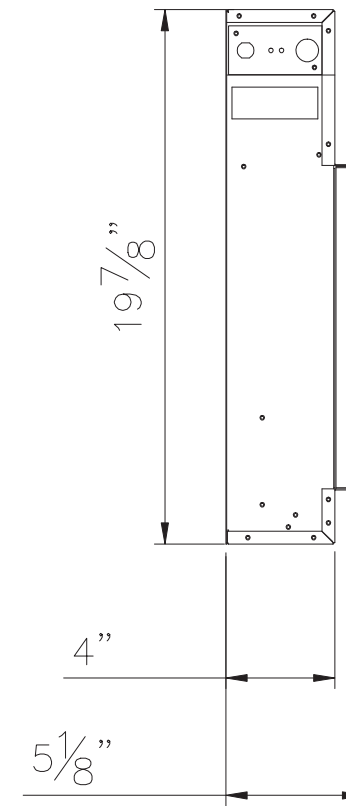
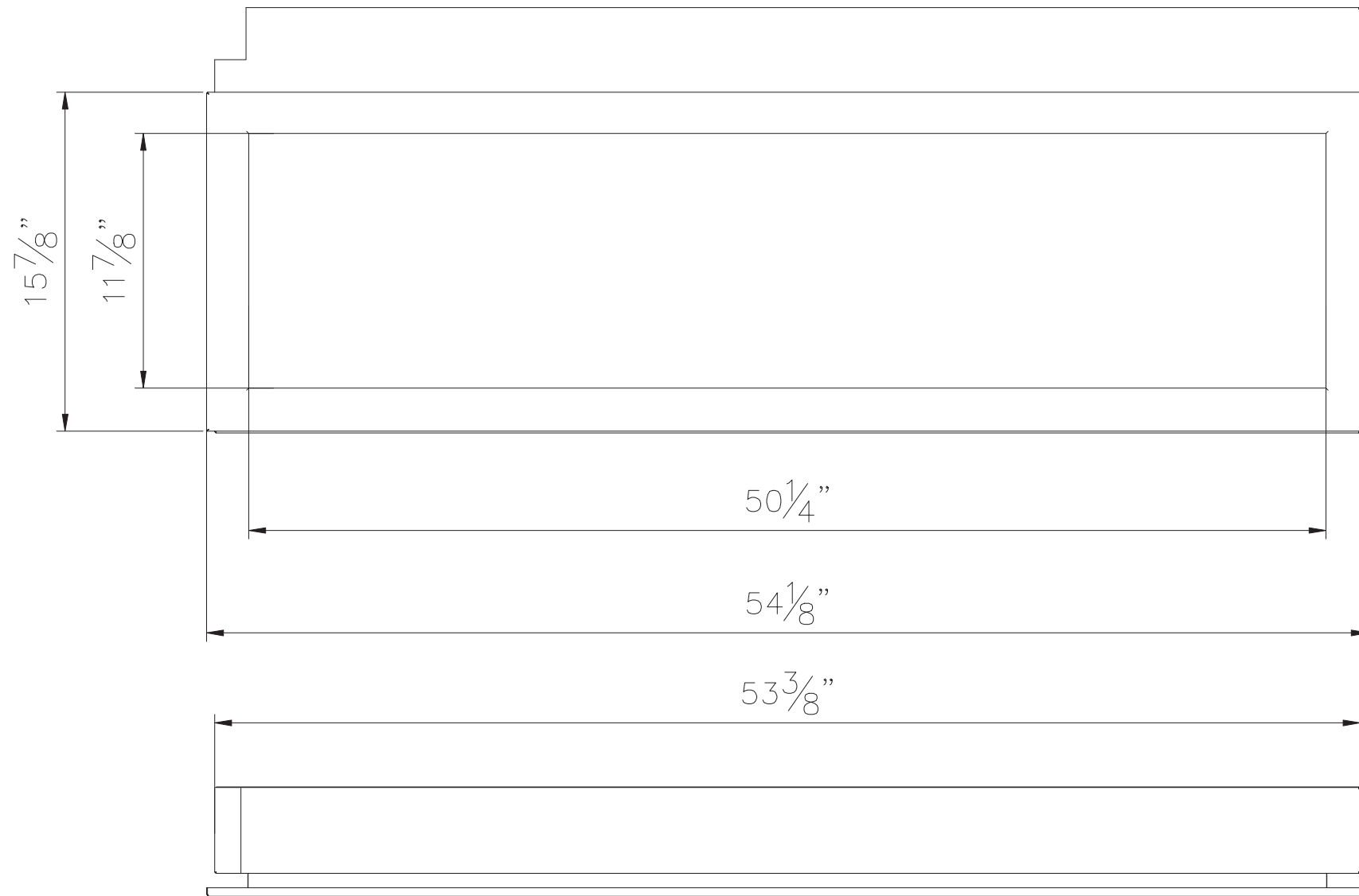
SERIES Built-In	MODEL BI-45-XTRASLSIM		REV 1
SCALE 1" = 1'-0"	DATE: 11/16/2017		SHEET 1 OF 1




TECHNICAL SPECIFICATIONS	
VOLTAGE	120 AC 60 Hz
WATTS	1500 W Max
NO HEATER	25 W
MOTOR HEATER	19 W
APPLIANCE WIDTH	99.5 cm
APPLIANCE HEIGHT	50.4 cm
APPLIANCE DEPTH	10.25 cm
GROSS WEIGHT	28 kgs
PLUG LOCATION	Left side
CORD LENGTH	180 cm
ROUGH WALL OPENING	111.8 cm X 52 cm
BTU	4800




SERIES Built-In	MODEL BI-45-XTRASLSIM		REV 1
SCALE 1" = 1'-0"	DATE: 11/16/2017	SHEET 1 OF 1	




TECHNICAL SPECIFICATIONS	
VOLTAGE	120 AC 60 Hz
WATTS	1500 W Max
NO HEATER	25 W
MOTOR HEATER	19 W
APPLIANCE WIDTH	54 1/8"
APPLIANCE HEIGHT	19 7/8"
APPLIANCE DEPTH	4"
GROSS WEIGHT	86 lbs
PLUG LOCATION	Left side
CORD LENGTH	70 7/8"
ROUGH WALL OPENING	54" X 20 3/8"
BTU	4800



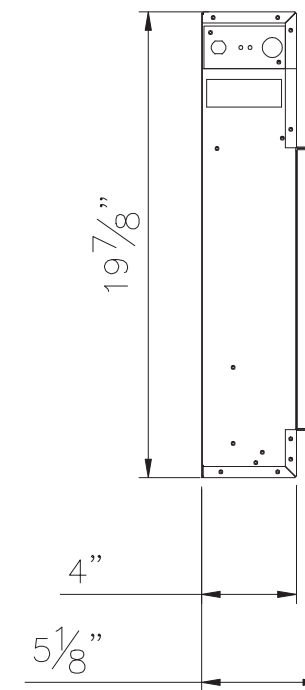
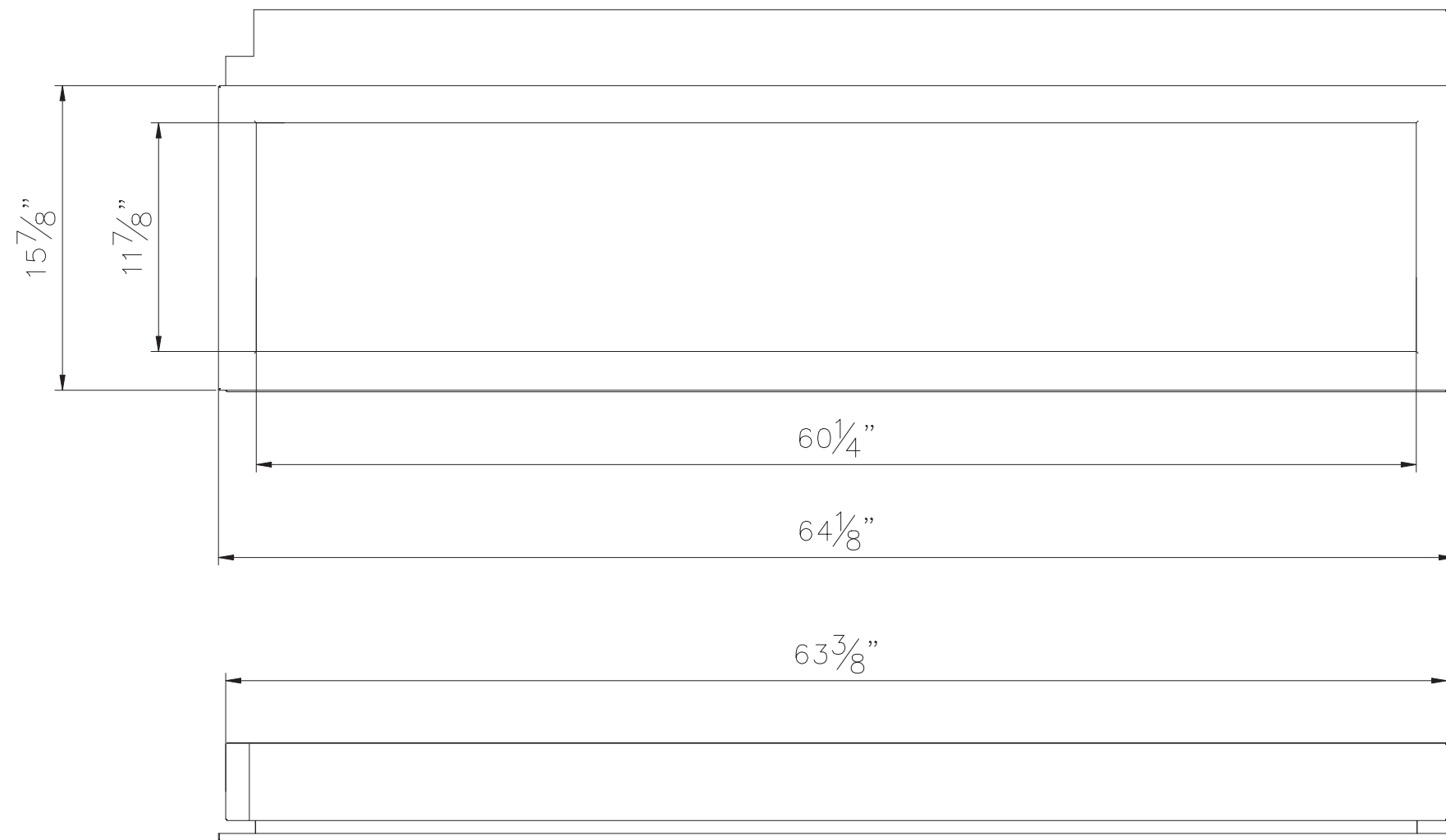
SERIES Built-In	MODEL BI-55-XTRASLSIM		REV 1
SCALE 1" = 1'-0"	DATE: 11/16/2017	SHEET 1 OF 1	



TECHNICAL SPECIFICATIONS	
VOLTAGE	120 AC 60 Hz
WATTS	1500 W Max
NO HEATER	25 W
MOTOR HEATER	19 W
APPLIANCE WIDTH	137.6 cm
APPLIANCE HEIGHT	50.4 cm
APPLIANCE DEPTH	10.25 cm
GROSS WEIGHT	39kgs
PLUG LOCATION	Left side
CORD LENGTH	180 cm
ROUGH WALL OPENING	137.2cm X 52 cm
BTU	4800



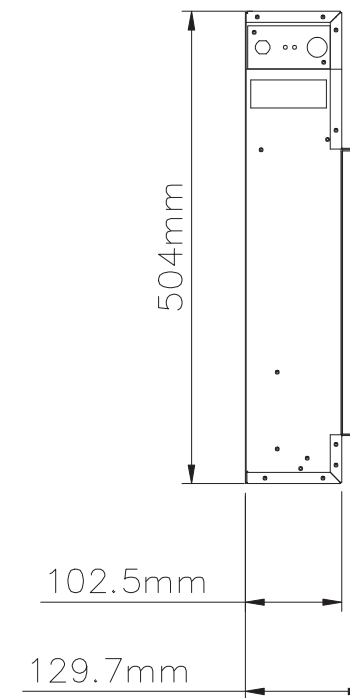
SERIES Built-In	MODEL BI-55-XTRASLSIM		REV 1
SCALE 1" = 1'-0"	DATE: 11/16/2017	SHEET 1 OF 1	




TECHNICAL SPECIFICATIONS	
VOLTAGE	120 AC 60 Hz
WATTS	1500 W Max
NO HEATER	25 W
MOTOR HEATER	19 W
APPLIANCE WIDTH	$59\frac{1}{8}$ "
APPLIANCE HEIGHT	$19\frac{7}{8}$ "
APPLIANCE DEPTH	4"
GROSS WEIGHT	108 lbs
PLUG LOCATION	Left side
CORD LENGTH	$70\frac{7}{8}$ "
ROUGH WALL OPENING	64 " X $20\frac{3}{8}$ "
BTU	4800




SERIES Built-In	MODEL BI-65-XTRASLSIM / 102765-XS		REV 1
SCALE 1" = 1'-0"	DATE: 11/16/2017	SHEET 1 OF 1	



TECHNICAL SPECIFICATIONS	
VOLTAGE	120 AC 60 Hz
WATTS	1500 W Max
NO HEATER	25 W
MOTOR HEATER	19 W
APPLIANCE WIDTH	150.3 cm
APPLIANCE HEIGHT	50.4 cm
APPLIANCE DEPTH	10.25 cm
GROSS WEIGHT	49 kgs
PLUG LOCATION	Left side
CORD LENGTH	180 cm
ROUGH WALL OPENING	162.6cm X 5 2 cm
BTU	4800



SERIES Built-In	MODEL BI-65-XTRASLSIM / 102765-XS		REV 1
SCALE 1" = 1'-0"	DATE: 11/16/2017	SHEET 1 OF 1	