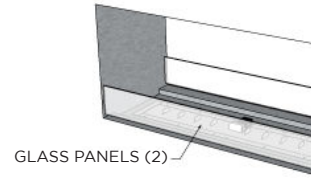
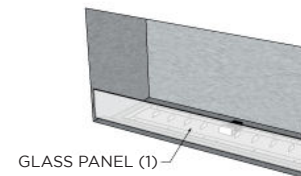


**ISOMETRIC VIEW**



**SEE-THROUGH**



**SINGLE-SIDED**

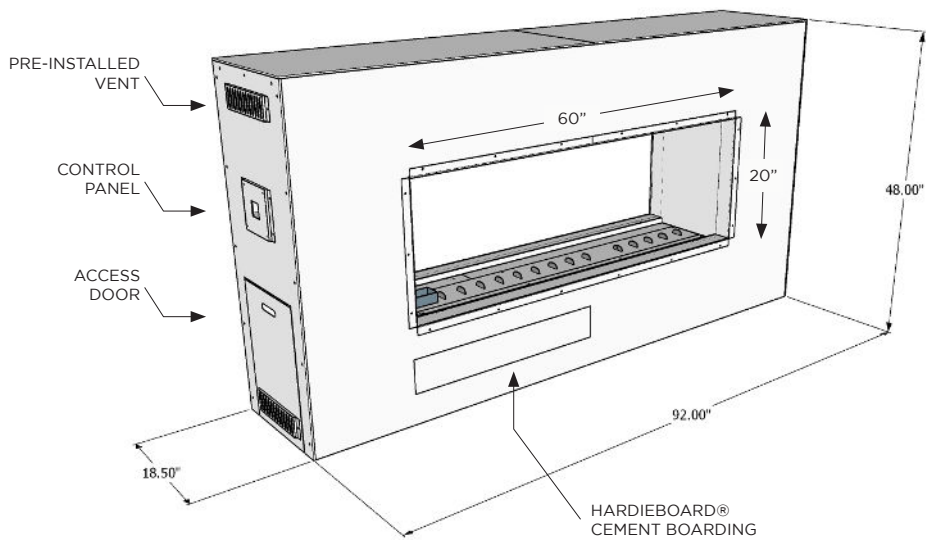
**Specifications:**

ITEM NAME	BURNER INCLUDED	BTUs (LP/NG)	WEIGHT	FIRE MEDIA	CUSTOM SIZING AVAILABLE - CONTACT OGC FOR QUOTE
RLFP-40D(LP/NG)*	BI737	80K	225 LBS	30 LBS	
RSTL-40D(LP/NG)**	BI737	80K	220 LBS	30 LBS	

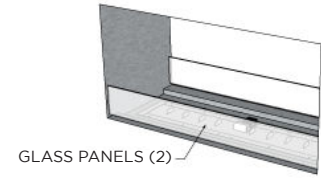
\*CHOOSE BETWEEN SINGLE-SIDED (\*) OR SEE-THROUGH (\*\*). FIRE MEDIA SOLD SEPARATELY.  
TESTING AGENCY: UNDERWRITERS LABORATORIES (UL LLC)  
STANDARD: ANSI Z21.97-02017 / CSA 2.41-2017 OUTDOOR DECORATIVE GAS APPLIANCES

**Notes:**

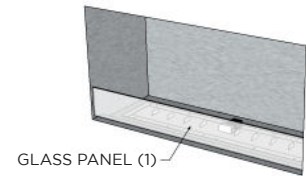
- ENCLOSURES
  - 2 ea 10 sq in. vents are preinstalled on opposing sides to allow airflow through the structure.
- CLEARANCE TO COMBUSTIBLES
  - All finishing materials on the standard ready-to-finish fireplaces must be non-combustible.
  - 1" clearance to combustible back wall is required for single-sided units
  - Over framing is allowed to increase the size of the structure. Clearance to combustible framing is 6" on top, 1" on the side, and 1" on the back for single-sided units. Optional standoff kits available (RLFP-40-SO/RSTL-40-SO).
- GAS SUPPLY
  - Natural gas - Operating Supply Pressure: Min 6" W.C.; Max 10.5" W.C.; Ideal 7" W.C.
  - Liquid Propane gas - Operating Supply Pressure: Min 8" W.C.; Max 14" W.C.; Ideal 11" W.C.
- ELECTRICAL
  - RECOMMENDED: An accessible outlet is factory installed within the structure and should be connected to a GFCI circuit. Must follow local electrical code.
  - ALTERNATIVE: Unit can be powered with a 2D cell battery pack (PT# CF-DSI-BP). Pack should be located in a dry, accessible area of fireplace. Battery pack must be easy to access after installation is complete.
- CONTROLS
  - Controls located on the Appliance Structure: Low voltage switch comes standard with DSI Burners. Optional 60-Minute Timer (PT# CF-DSI-60MT) or 4-Hour Timer (PT# 4HRTC) can replace low voltage switch.
  - Controls located away from the Appliance Structure: Outdoor-rated switches and timers (PT# CF-DSI-60MT) can be located on GFCI Circuit to control power to the junction box. Note: If operating burner with switch away from the appliance, an included switch bypass will need to be installed (PT# CF-DSI-SB).
  - Emergency Gas Shut Off: The E-Stop ships standard with the Direct Spark Ignition (DSI) burner and can be installed on the GFCI circuit to cut power to the appliance's junction box which will shut off flame.



**ISOMETRIC VIEW**



**SEE-THROUGH**



**SINGLE-SIDED**

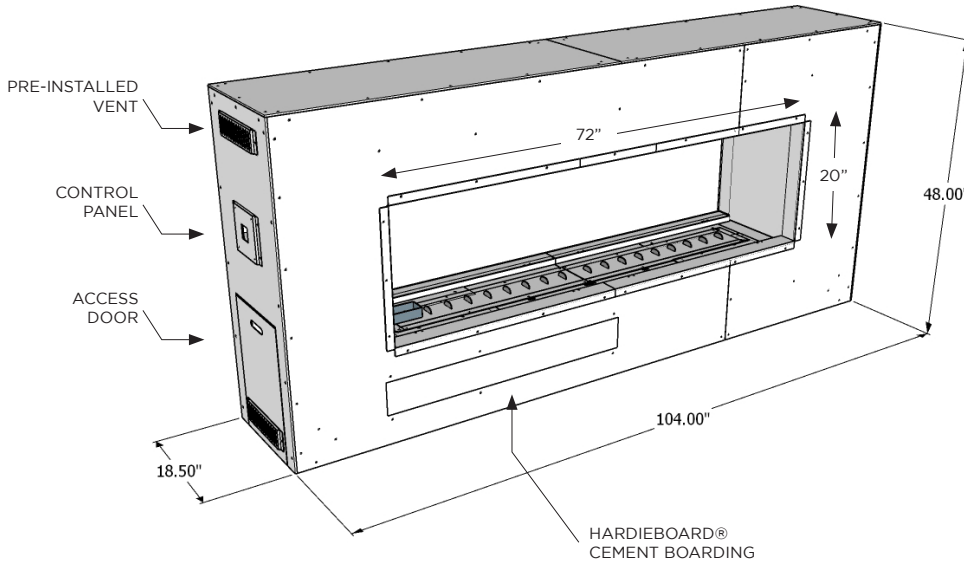
**Specifications:**

ITEM NAME	BURNER INCLUDED	BTUs (LP/NG)	WEIGHT	FIRE MEDIA	CUSTOM SIZING AVAILABLE - CONTACT OGC FOR QUOTE
RLFP-60D(LP/NG)*	BI757	100K	242 LBS	40 LBS	
RSTL-60D(LP/NG)**	BI757	100K	237 LBS	40 LBS	

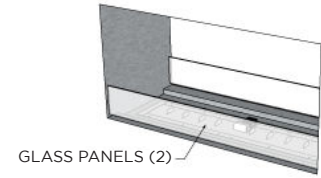
\*CHOOSE BETWEEN SINGLE-SIDED (\*) OR SEE-THROUGH (\*\*). FIRE MEDIA SOLD SEPARATELY.  
TESTING AGENCY: UNDERWRITERS LABORATORIES (UL LLC)  
STANDARD: ANSI Z21.97-02017 / CSA 2.41-2017 OUTDOOR DECORATIVE GAS APPLIANCES

**Notes:**

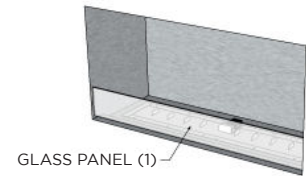
- ENCLOSURES**
  - 2 ea 10 sq in. vents are preinstalled on opposing sides to allow airflow through the structure.
- CLEARANCE TO COMBUSTIBLES**
  - All finishing materials on the standard ready-to-finish fireplaces must be non-combustible.
  - 1" clearance to combustible back wall is required for single-sided units
  - Over framing is allowed to increase the size of the structure. Clearance to combustible framing is 6" on top, 1" on the side, and 1" on the back for single-sided units. Optional standoff kits available (RLFP-60-SO/RSTL-60-SO).
- GAS SUPPLY**
  - Natural gas - Operating Supply Pressure: Min 6" W.C.; Max 10.5" W.C.; Ideal 7" W.C.
  - Liquid Propane gas - Operating Supply Pressure: Min 8" W.C.; Max 14" W.C.; Ideal 11" W.C.
- ELECTRICAL**
  - RECOMMENDED:** An accessible outlet is factory installed within the structure and should be connected to a GFCI circuit. Must follow local electrical code.
  - ALTERNATIVE:** Unit can be powered with a 2D cell battery pack (PT# CF-DSI-BP). Pack should be located in a dry, accessible area of fireplace. Battery pack must be easy to access after installation is complete.
- CONTROLS**
  - Controls located on the Appliance Structure: Low voltage switch comes standard with DSI Burners. Optional 60-Minute Timer (PT# CF-DSI-60MT) or 4-Hour Timer (PT# 4HRTC) can replace low voltage switch.
  - Controls located away from the Appliance Structure: Outdoor-rated switches and timers (PT# CF-DSI-60MT) can be located on GFCI Circuit to control power to the junction box. Note: If operating burner with switch away from the appliance, an included switch bypass will need to be installed (PT# CF-DSI-SB).
  - Emergency Gas Shut Off: The E-Stop ships standard with the Direct Spark Ignition (DSI) burner and can be installed on the GFCI circuit to cut power to the appliance's junction box which will shut off flame.



**ISOMETRIC VIEW**



**SEE-THROUGH**



**SINGLE-SIDED**

**Specifications:**

ITEM NAME	BURNER INCLUDED	BTUs (LP/NG)	WEIGHT	FIRE MEDIA	CUSTOM SIZING AVAILABLE - CONTACT OGC FOR QUOTE
RLFP-72D(LP/NG)*	BI766	100K	267 LBS	50 LBS	
RSTL-72D(LP/NG)**	BI766	100K	262 LBS	50 LBS	

\*CHOOSE BETWEEN SINGLE-SIDED (\*) OR SEE-THROUGH (\*\*). FIRE MEDIA SOLD SEPARATELY.  
TESTING AGENCY: UNDERWRITERS LABORATORIES (UL LLC)  
STANDARD: ANSI Z21.97-02017 / CSA 2.41-2017 OUTDOOR DECORATIVE GAS APPLIANCES

**Notes:**

- ENCLOSURES**
  - 2 ea 10 sq in. vents are preinstalled on opposing sides to allow airflow through the structure.
- CLEARANCE TO COMBUSTIBLES**
  - All finishing materials on the standard ready-to-finish fireplaces must be non-combustible.
  - 1" clearance to combustible back wall is required for single-sided units
  - Over framing is allowed to increase the size of the structure. Clearance to combustible framing is 6" on top, 1" on the side, and 1" on the back for single-sided units. Optional standoff kits available (RLFP-72-SO/RSTL-72-SO).
- GAS SUPPLY**
  - Natural gas - Operating Supply Pressure: Min 6" W.C.; Max 10.5" W.C.; Ideal 7" W.C.
  - Liquid Propane gas - Operating Supply Pressure: Min 8" W.C.; Max 14" W.C.; Ideal 11" W.C.
- ELECTRICAL**
  - RECOMMENDED:** An accessible outlet is factory installed within the structure and should be connected to a GFCI circuit. Must follow local electrical code.
  - ALTERNATIVE:** Unit can be powered with a 2D cell battery pack (PT# CF-DSI-BP). Pack should be located in a dry, accessible area of fireplace. Battery pack must be easy to access after installation is complete.
- CONTROLS**
  - Controls located on the Appliance Structure: Low voltage switch comes standard with DSI Burners. Optional 60-Minute Timer (PT# CF-DSI-60MT) or 4-Hour Timer (PT# 4HRTC) can replace low voltage switch.
  - Controls located away from the Appliance Structure: Outdoor-rated switches and timers (PT# CF-DSI-60MT) can be located on GFCI Circuit to control power to the junction box. Note: If operating burner with switch away from the appliance, an included switch bypass will need to be installed (PT# CF-DSI-SB).
  - Emergency Gas Shut Off: The E-Stop ships standard with the Direct Spark Ignition (DSI) burner and can be installed on the GFCI circuit to cut power to the appliance's junction box which will shut off flame.