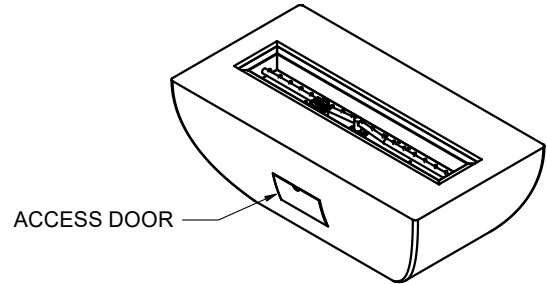
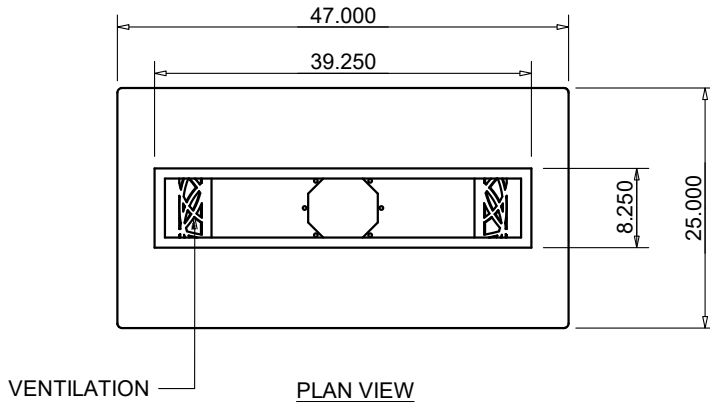




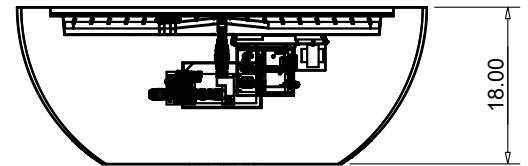
FIRE INSPIRED™

**CSA CERTIFIED-OUTDOOR USE ONLY
FOR COMMERCIAL AND RESIDENTIAL USE**

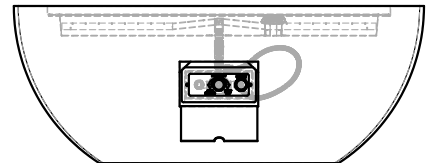
**HEARTH PRODUCTS CONTROLS
2225 LYONS RD.
MIAMISBURG, OH 45342
TOLL FREE: 877.585.9800
PHONE: 937.436.9800
www.hpcfire.com**



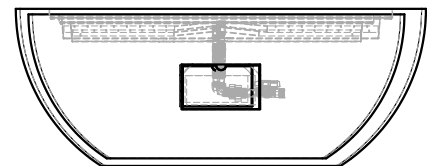
ISOMETRIC VIEW



ELECTRONIC IGNITION OPTION



PUSH BUTTON/FLAME SENSING OPTION



MATCH LIT OPTION

MATERIAL:
FIRE BOWL INSERT - 304 STAINLESS STEEL
ENCLOSURE - COPPER

	PART NUMBER	BURNER TYPE	IGNITION	STND BTU	VOLTAGE
TOR-	PHOEN47X25/TRGH-EI	LINEAR	ELECTRONIC	75K	120VAC/24VAC
TOR-	PHOEN47X25/TRGH-FPPK	LINEAR	SPARK	75K	-
TOR-	PHOENX47X25/TRGH-MLFPK	LINEAR	MATCH LIT	65K	-

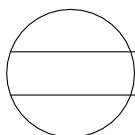
*FOR TORPEDO BURNERS ADD TOR-

Notes:

1. PROPER VENTING
 - ENCLOSURES: Ventilation is featured on 2 opposing sides.
2. GAS SUPPLY - FOR USE WITH FIXED PIPING SYSTEMS ONLY - NOT FOR USE WITH SMALL TANKS.
 - Natural Gas: Supply Pressure: Minimum: 3.5" W.C.; Maximum: 7.0" W.C.
 - LP Gas: Supply Pressure: Minimum: 8" W.C.; Maximum: 11.0" W.C.

IMPORTANT: Ensure any flex line that may be used from the permanent main fuel supply to the product is rated to the stated max btu of the product and certified to ANSI Z21.75*CSA 6.27.

3. MODIFICATION OF PRODUCT WILL VOID ANY CERTIFICATION AND WARRANTY.
4. FOLLOW ALL MANUFACTURER INSTALLATION INSTRUCTIONS AND LOCAL CODES.
5. ALL DIMENSIONS ARE CONSIDERED TRUE AND REFLECT MANUFACTURER'S SPECIFICATIONS AS OF THE REVISION DATE.
6. DO NOT SCALE DRAWING.
7. THESE DRAWINGS ARE FOR SIZING AND PLANNING PURPOSES. ALL INFORMATION CONTAINED HEREIN WAS CURRENT AT THE TIME OF DEVELOPMENT. THE MANUFACTURER'S RESPONSIBLE FOR THE ACCURACY OF THE DRAWING.
8. CONTRACTOR'S NOTE: FOR PRODUCT AND COMPANY INFORMATION VISIT www.CADdetails.com/info REFERENCE NUMBER 771-060.



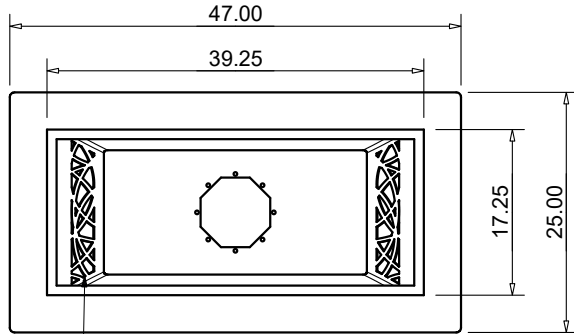
PHOENIX WITH LINEAR EI FIRE PIT- FLAME SENSING WITH ELECTRONIC HOT SURFACE IGNITION
 PHOENIX WITH LINEAR PUSH BUTTON/FLAME SENSING FIRE PIT INSERT
 PHOENIX WITH LINEAR MATCH LIT FIRE PIT INSERT



FIRE INSPIRED[®]

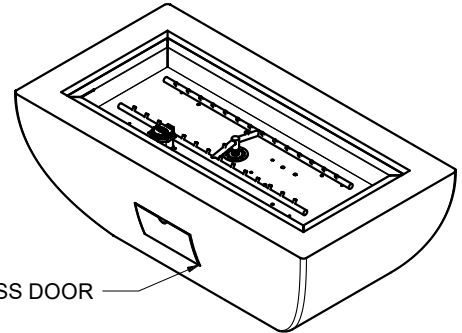
**CSA CERTIFIED-OUTDOOR USE ONLY
FOR COMMERCIAL AND RESIDENTIAL USE**

**HEARTH PRODUCTS CONTROLS
2225 LYONS RD.
MIAMISBURG, OH 45342
TOLL FREE: 877.585.9800
PHONE: 937.436.9800
www.hpcfire.com**



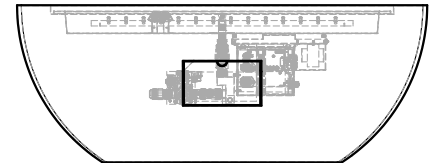
PLAN VIEW

VENTILATION

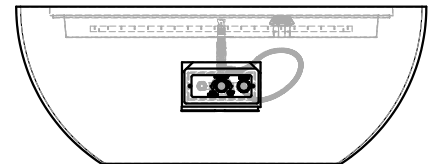


ACCESS DOOR

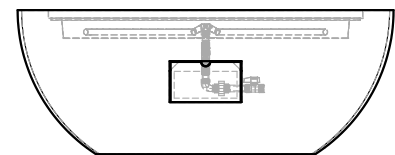
ISOMETRIC VIEW



ELECTRONIC IGNITION OPTION



PUSH BUTTON/FLAME SENSING OPTION



MATCH LIT OPTION

MATERIAL:

**FIRE BOWL INSERT - 304 STAINLESS STEEL
ENCLOSURE - COPPER**

	PART NUMBER	BURNER TYPE	IGNITION	STND BTU	VOLTAGE
TOR-	PHOEN47X25/HBURN-EI	H BURNER	ELECTRONIC	125K	120VAC/24VAC
TOR-	PHOEN47X25/HBURN-FPPK	H BURNER	SPARK	90K	-
TOR	PHOENX47X25/HBURN-MLFPK	H BURNER	MATCH LIT	65K	-
-	PHOENX47X25/SFIRE-EI	S FIRE	ELECTRONIC	75K	120VAC/24VAC
-	PHOENX47X25/SFIRE-FPPK	S FIRE	SPARK	75K	-
-	PHOENX47X25/SFIRE-MLFPK	S FIRE	MATCH LIT	65K	-

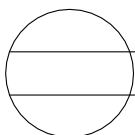
*FOR TORPEDO BURNERS ADD TOR-

Notes:

1. PROPER VENTING
 - ENCLOSURES: Ventilation is featured on 2 opposing sides.
2. GAS SUPPLY - FOR USE WITH FIXED PIPING SYSTEMS ONLY - NOT FOR USE WITH SMALL TANKS.
 - Natural Gas: Supply Pressure: Minimum: 3.5" W.C.; Maximum: 7.0" W.C.
 - LP Gas: Supply Pressure: Minimum: 8.0" W.C.; Maximum 11.0" W.C.

IMPORTANT: Ensure any flex line that may be used from the permanent main fuel supply to the product is rated to the stated max btu of the product and certified to ANSI Z21.75*CSA 6.27.

3. MODIFICATION OF PRODUCT WILL VOID ANY CERTIFICATION AND WARRANTY.
4. FOLLOW ALL MANUFACTURER INSTALLATION INSTRUCTIONS AND LOCAL CODES.
5. ALL DIMENSIONS ARE CONSIDERED TRUE AND REFLECT MANUFACTURER'S SPECIFICATIONS AS OF THE REVISION DATE.
6. DO NOT SCALE DRAWING.
7. THESE DRAWINGS ARE FOR SIZING AND PLANNING PURPOSES. ALL INFORMATION CONTAINED HEREIN WAS CURRENT AT THE TIME OF DEVELOPMENT. THE MANUFACTURER'S RESPONSIBLE FOR THE ACCURACY OF THE DRAWING.
8. CONTRACTOR'S NOTE: FOR PRODUCT AND COMPANY INFORMATION VISIT www.CADdetails.com/info REFERENCE NUMBER 771-059.



PHOENIX WITH H-PAN EI FIRE PIT- FLAME SENSING WITH ELECTRONIC HOT SURFACE IGNITION
 PHOENIX WITH H-PAN PUSH BUTTON/FLAME SENSING FIRE PIT INSERT
 PHOENIX WITH H-PAN MATCH LIT FIRE PIT INSERT