

4

3

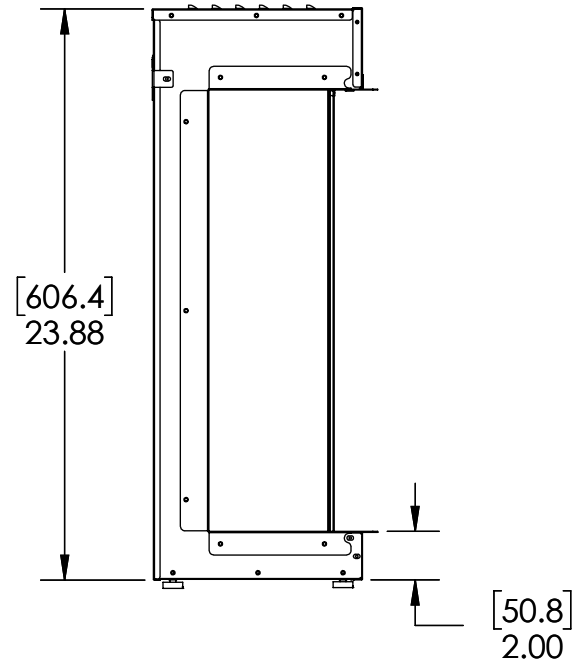
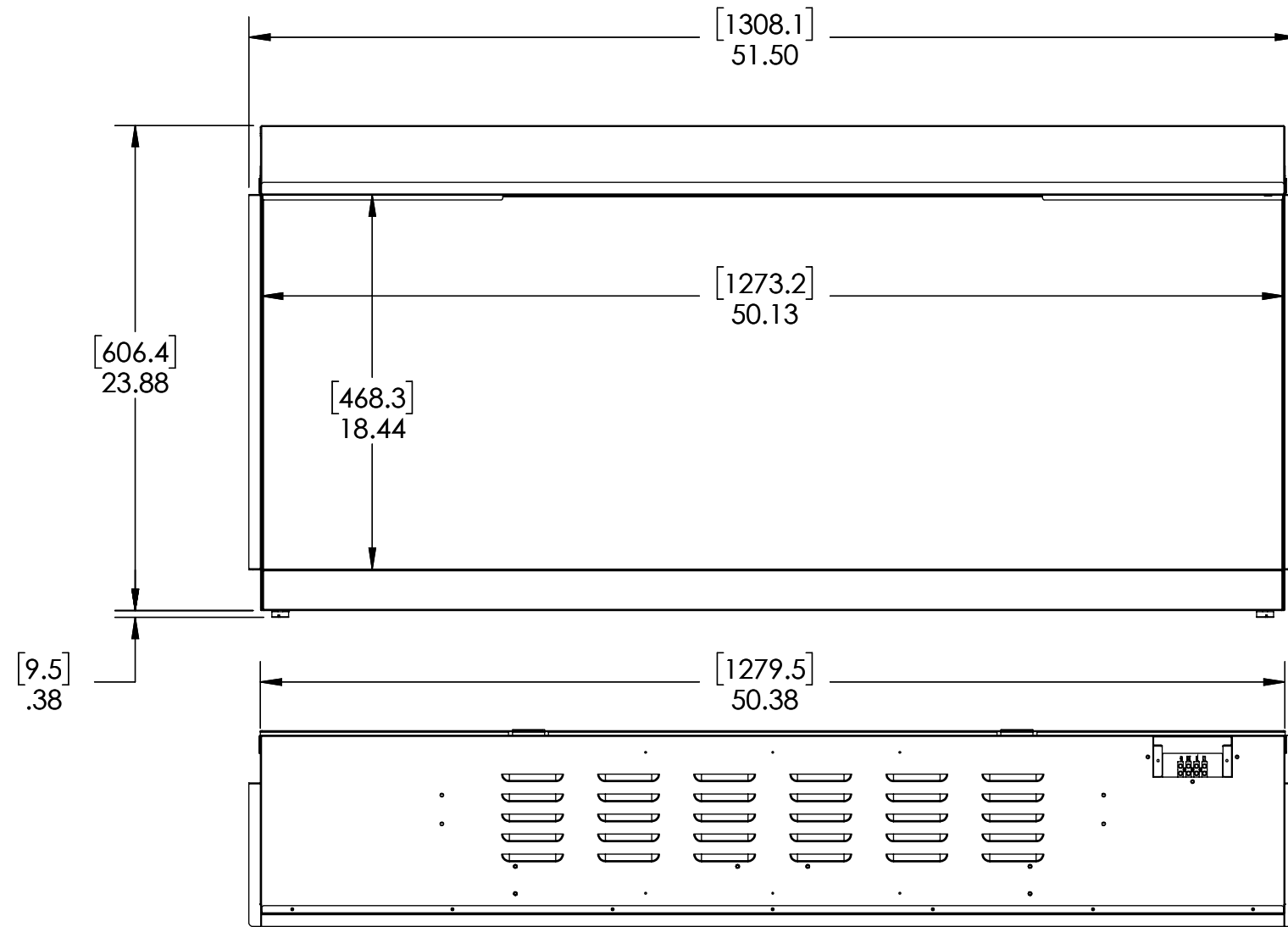
2

1

REVISIONS				
ZONE	REV.	DESCRIPTION	DATE	APPROVED

B

B



[60.3] 2.38

A

A

4

3

2

1

UNLESS OTHERWISE SPECIFIED:	NAME	DATE	<b>RPG BRANDS</b>		
DIMENSIONS ARE IN INCHES	DRAWN				
TOLERANCES:	CHECKED		TITLE: ORION MULTI 52"		
FRACTIONAL ±	ENG APPR.				
ANGULAR: MACH ±1° BEND ±1°	MFG APPR.				
TWO PLACE DECIMAL ±.010	Q.A.		SIZE	DWG. NO.	REV
THREE PLACE DECIMAL ±.005	<b>PROPRIETARY AND CONFIDENTIAL</b> THE INFORMATION CONTAINED IN THIS DRAWING IS THE SOLE PROPERTY OF RICHARDSON'S PRODUCT GROUP. ANY REPRODUCTION IN PART OR AS A WHOLE WITHOUT THE WRITTEN PERMISSION OF RICHARDSON'S PRODUCT GROUP IS PROHIBITED.		<b>B</b>		
INTERPRET GEOMETRIC TOLERANCING PER:	DO NOT SCALE DRAWING		SCALE: 1:8	WEIGHT:	SHEET 1 OF 1
MATERIAL					
FINISH					

4

3

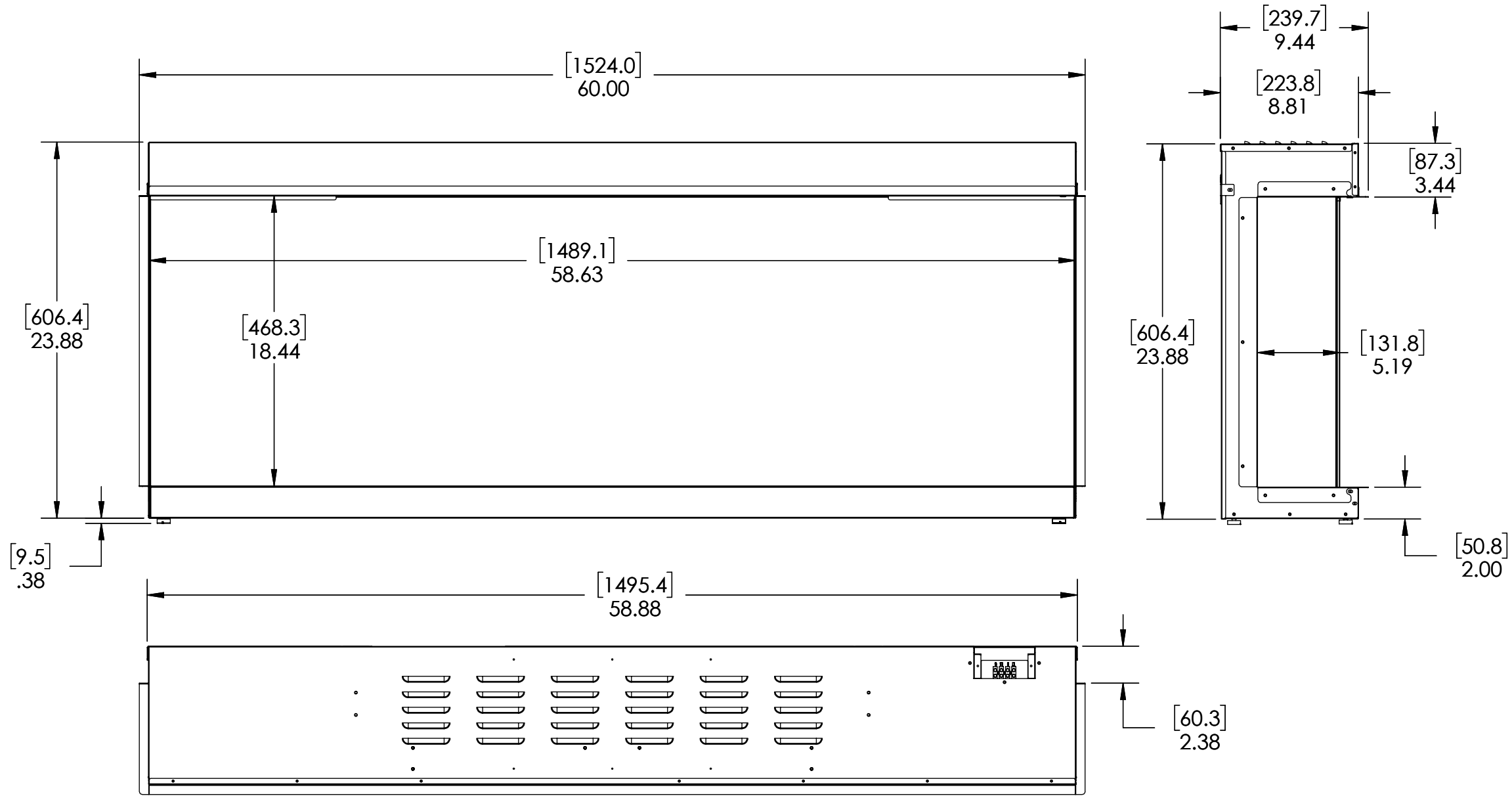
2

1

REVISIONS				
ZONE	REV.	DESCRIPTION	DATE	APPROVED

B

B



A

A

4

3

2

1

UNLESS OTHERWISE SPECIFIED:		NAME	DATE	<b>RPG BRANDS</b>	
DIMENSIONS ARE IN INCHES		DRAWN			
TOLERANCES:		CHECKED		SIZE <b>B</b>	DWG. NO.
FRACTIONAL ±		ENG APPR.			
ANGULAR: MACH ±1° BEND ±1°		MFG APPR.		SCALE: 1:8	WEIGHT:
TWO PLACE DECIMAL ±.010		Q.A.			
THREE PLACE DECIMAL ±.005		<b>PROPRIETARY AND CONFIDENTIAL</b> THE INFORMATION CONTAINED IN THIS DRAWING IS THE SOLE PROPERTY OF RICHARDSON'S PRODUCT GROUP. ANY REPRODUCTION IN PART OR AS A WHOLE WITHOUT THE WRITTEN PERMISSION OF RICHARDSON'S PRODUCT GROUP IS PROHIBITED.			
INTERPRET GEOMETRIC TOLERANCING PER:					
MATERIAL					
FINISH					
DO NOT SCALE DRAWING					

4

3

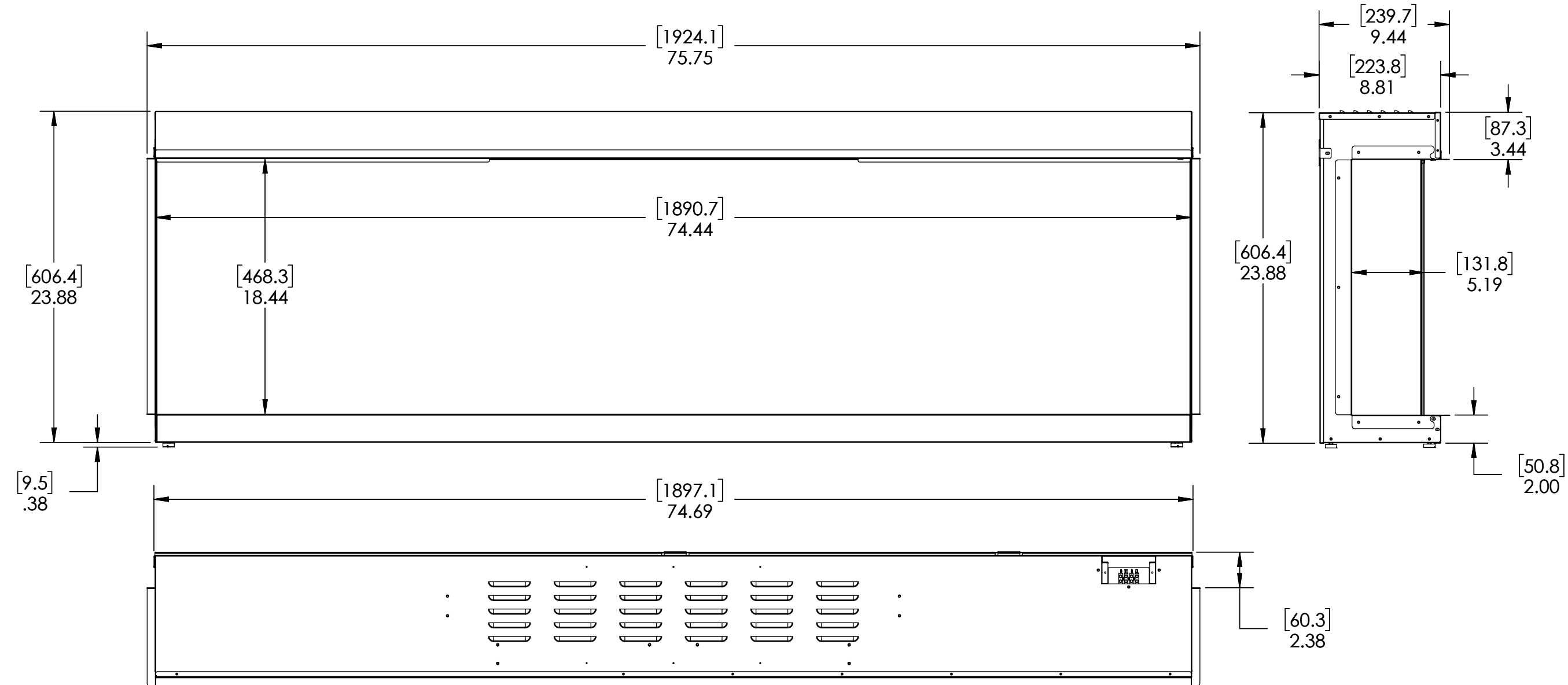
2

1

REVISIONS				
ZONE	REV.	DESCRIPTION	DATE	APPROVED

B

B



A

A

4

3

2

1

UNLESS OTHERWISE SPECIFIED:		NAME	DATE	<b>RPG BRANDS</b>	
DIMENSIONS ARE IN INCHES		DRAWN			
TOLERANCES:		CHECKED		SIZE <b>B</b>	DWG. NO.
FRACTIONAL ±		ENG APPR.			
ANGULAR: MACH ±1° BEND ±1°		MFG APPR.		SCALE: 1:8	WEIGHT:
TWO PLACE DECIMAL ±.010		Q.A.			
THREE PLACE DECIMAL ±.005		<b>PROPRIETARY AND CONFIDENTIAL</b> THE INFORMATION CONTAINED IN THIS DRAWING IS THE SOLE PROPERTY OF RICHARDSON'S PRODUCT GROUP. ANY REPRODUCTION IN PART OR AS A WHOLE WITHOUT THE WRITTEN PERMISSION OF RICHARDSON'S PRODUCT GROUP IS PROHIBITED.			
INTERPRET GEOMETRIC TOLERANCING PER:					
MATERIAL					
FINISH					
DO NOT SCALE DRAWING					

4

3

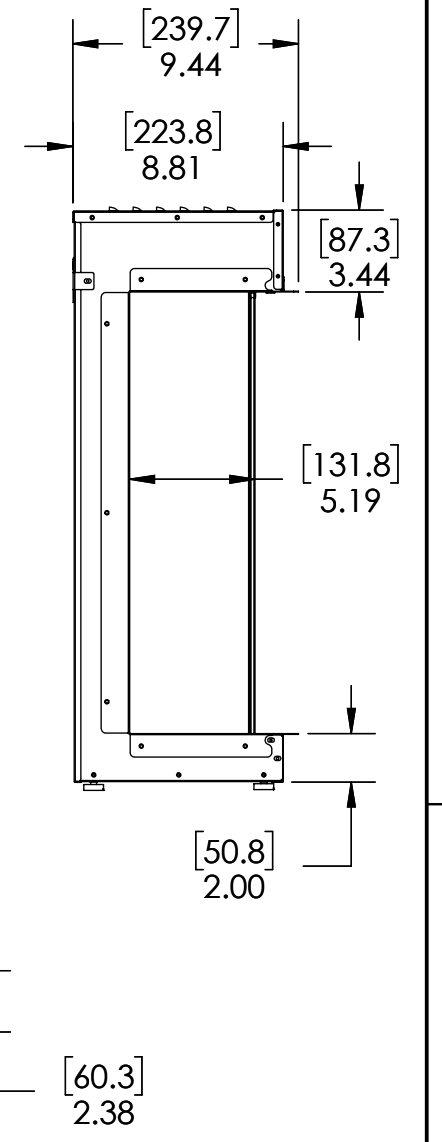
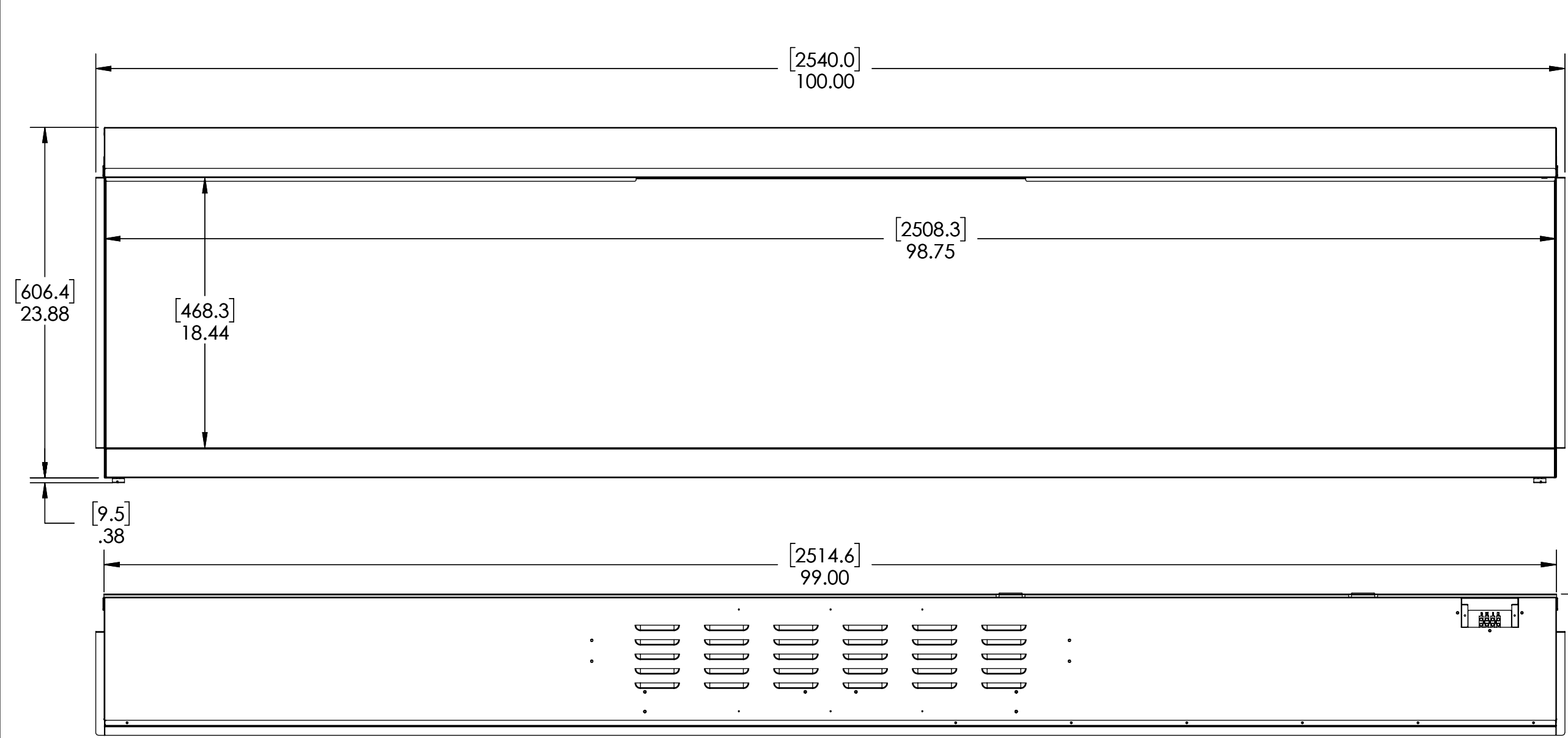
2

1

REVISIONS				
ZONE	REV.	DESCRIPTION	DATE	APPROVED

B

B



A

A

4

3

2

1

UNLESS OTHERWISE SPECIFIED:		NAME	DATE	<b>RPG BRANDS</b>			
DIMENSIONS ARE IN INCHES		DRAWN					
TOLERANCES:		CHECKED		TITLE: ORION MULTI 100"			
FRACTIONAL ±		ENG APPR.					
ANGULAR: MACH ±1° BEND ±1°		MFG APPR.					
TWO PLACE DECIMAL ±.010		Q.A.		SIZE	DWG. NO.	REV	
THREE PLACE DECIMAL ±.005		<b>PROPRIETARY AND CONFIDENTIAL</b> THE INFORMATION CONTAINED IN THIS DRAWING IS THE SOLE PROPERTY OF RICHARDSON'S PRODUCT GROUP. ANY REPRODUCTION IN PART OR AS A WHOLE WITHOUT THE WRITTEN PERMISSION OF RICHARDSON'S PRODUCT GROUP IS PROHIBITED.		<b>B</b>			
INTERPRET GEOMETRIC TOLERANCING PER:				SCALE: 1:8	WEIGHT:	SHEET 1 OF 1	
MATERIAL							
FINISH							
DO NOT SCALE DRAWING							

4

3

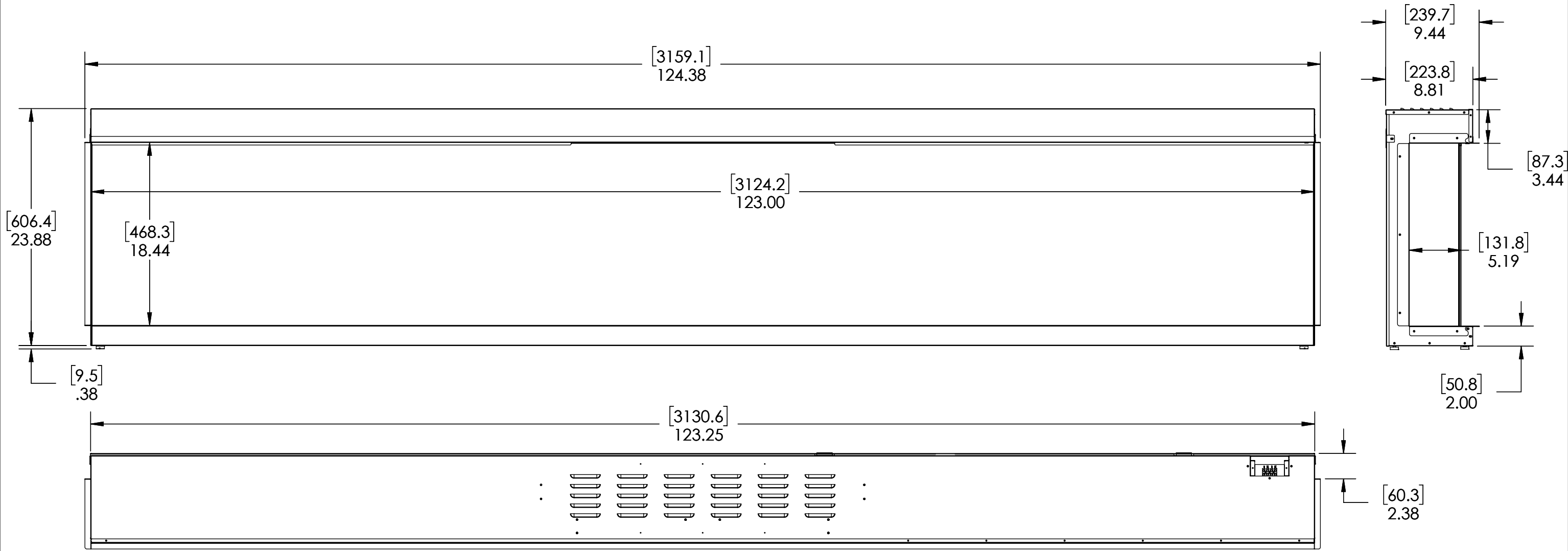
2

1

REVISIONS				
ZONE	REV.	DESCRIPTION	DATE	APPROVED

B

B



A

A

UNLESS OTHERWISE SPECIFIED:		NAME	DATE	<b>RPG BRANDS</b>	
DIMENSIONS ARE IN INCHES TOLERANCES: FRACTIONAL ± ANGULAR: MACH ±1° BEND ±1° TWO PLACE DECIMAL ±.010 THREE PLACE DECIMAL ±.005		DRAWN			
INTERPRET GEOMETRIC TOLERANCING PER:		CHECKED		SIZE <b>B</b> DWG. NO. REV	
MATERIAL		ENG APPR.			SCALE: 1:8 WEIGHT: SHEET 1 OF 1
FINISH		MFG APPR.			
DO NOT SCALE DRAWING		Q.A.			

4

3

2

1