

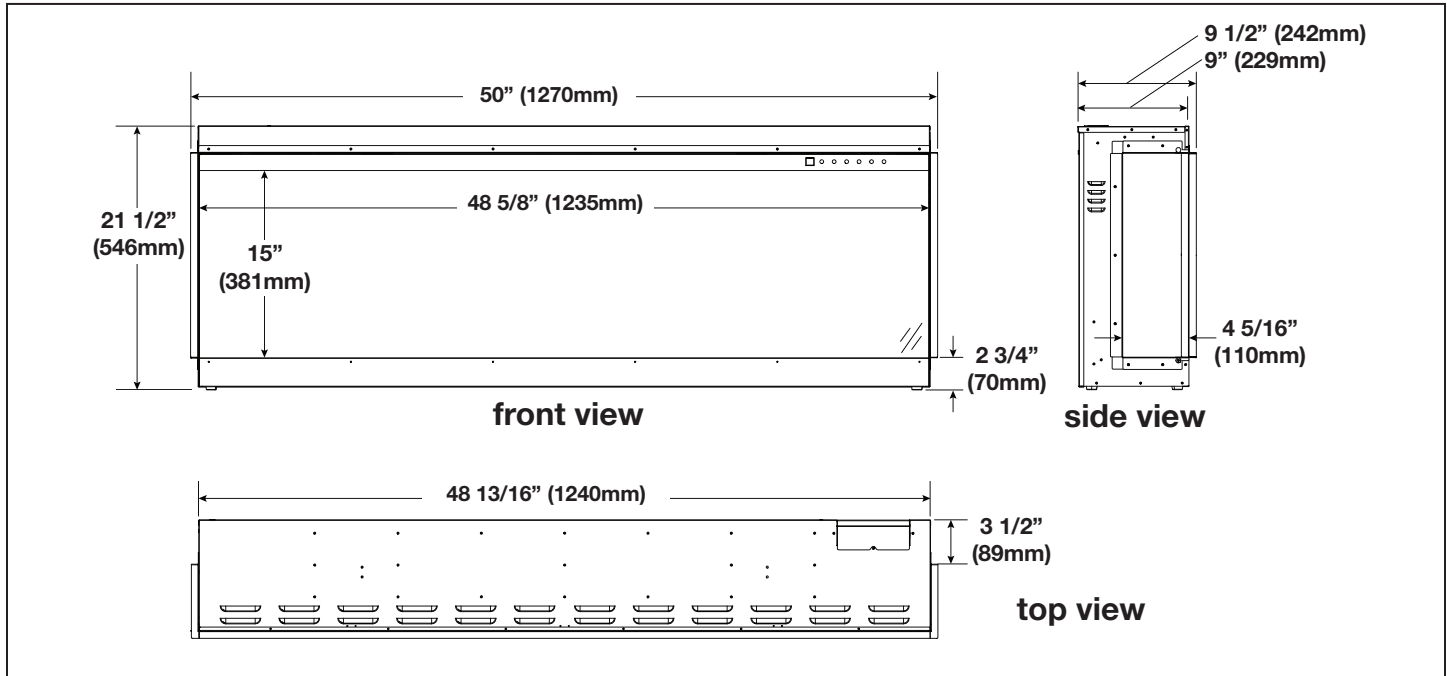
TRIVISTA™ 50" ELECTRIC APPLIANCE



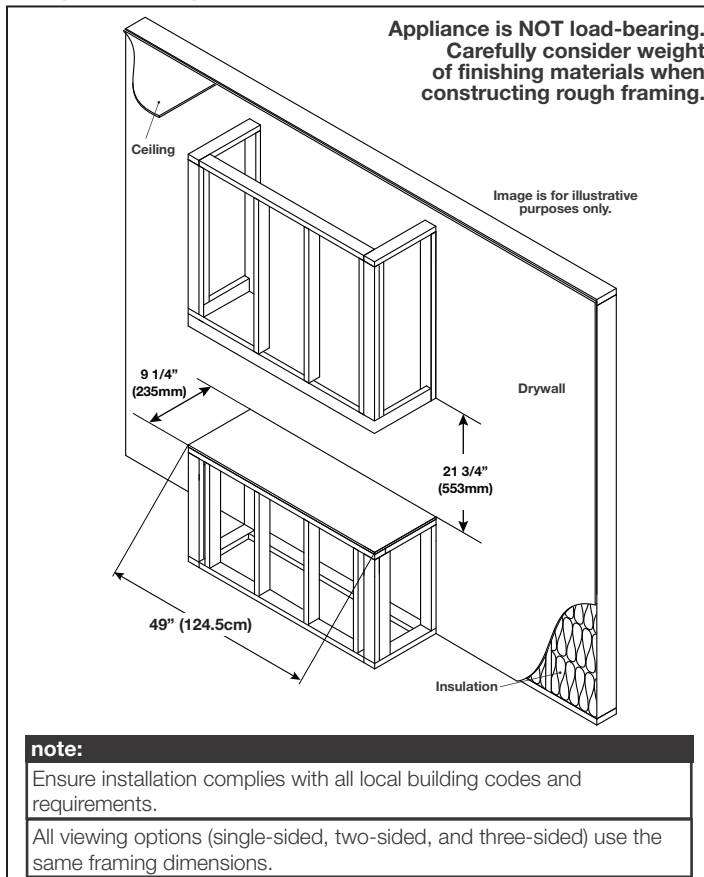
Specifications

Model	BTU	Width	Height	Depth	Viewing Area
NEFB50H-3SV	5000/10000	50	21 1/2	9 1/2	48 5/8 x 15

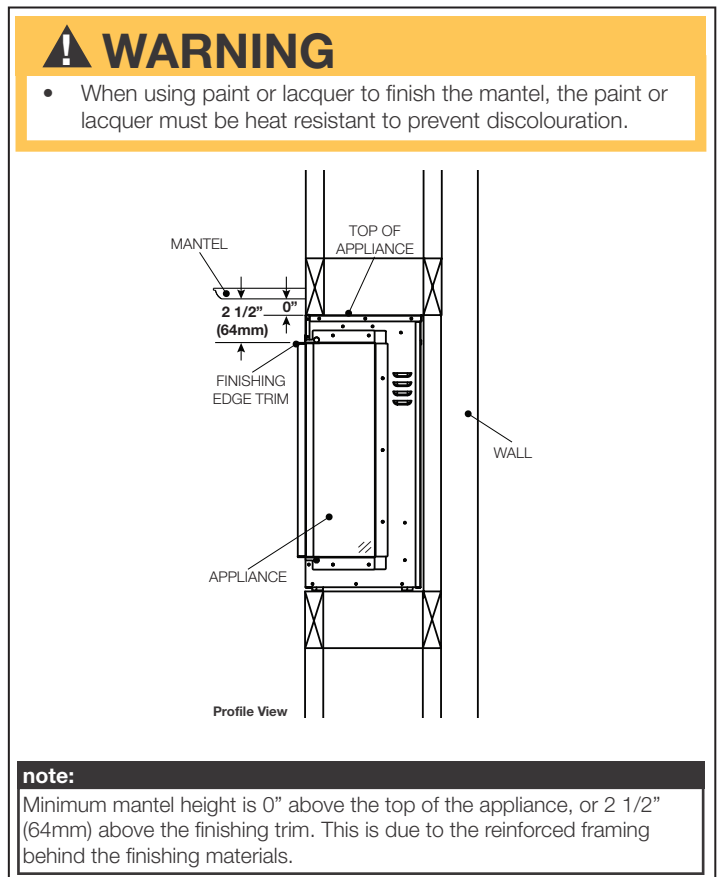
Dimensions



Rough Framing



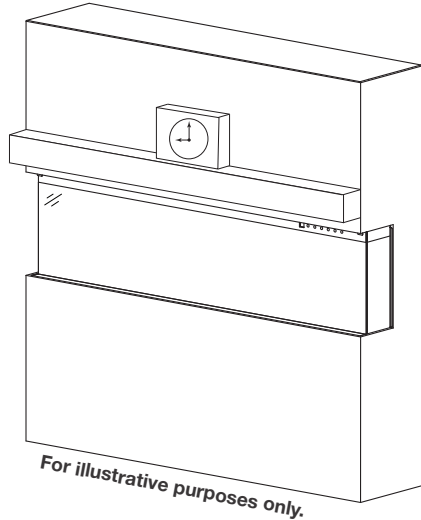
Minimum Mantel Clearances



Product information provided is not complete and is subject to change without notice. Please consult the installation manual for the most up to date installation information.

Installation Overview

Your appliance is capable of three unique installation configurations: **three-sided, two-sided, and single-sided.**

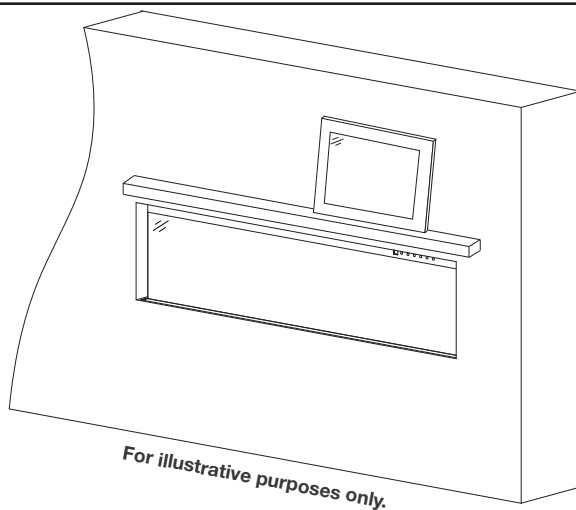
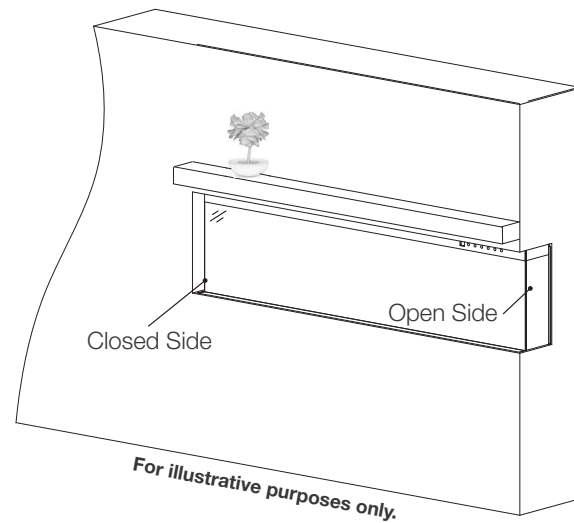


Three-Sided Viewing Installation

- Appliance is fully recessed into the wall with both sides open
- Front, left, **and** right side views

Two-Sided Viewing Installation

- Appliance is fully recessed into the wall with one side open
- Front view **and** left/right side view, depending on desired open/closed sides



Single-Sided Viewing Installation

- Appliance is fully recessed into the wall
- Front view **only**
- Left and right side views are covered

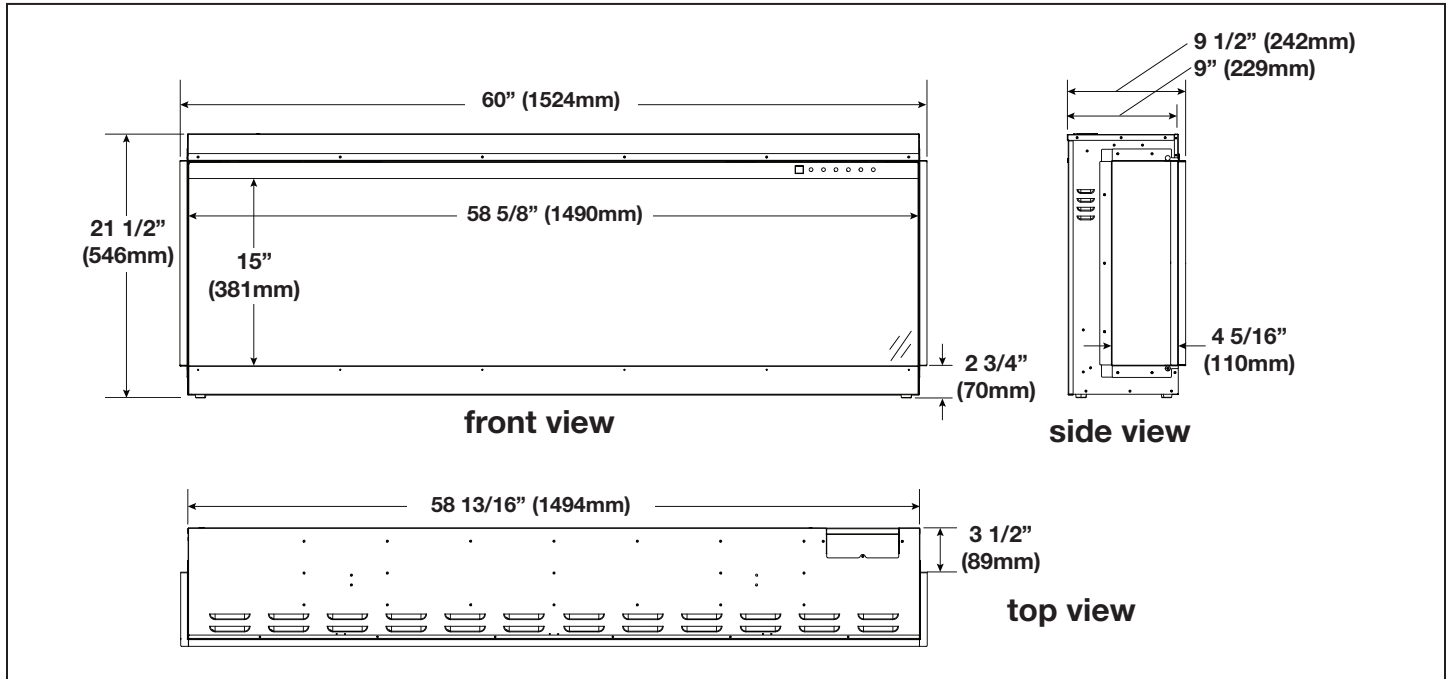
TRIVISTA™ 60" ELECTRIC APPLIANCE



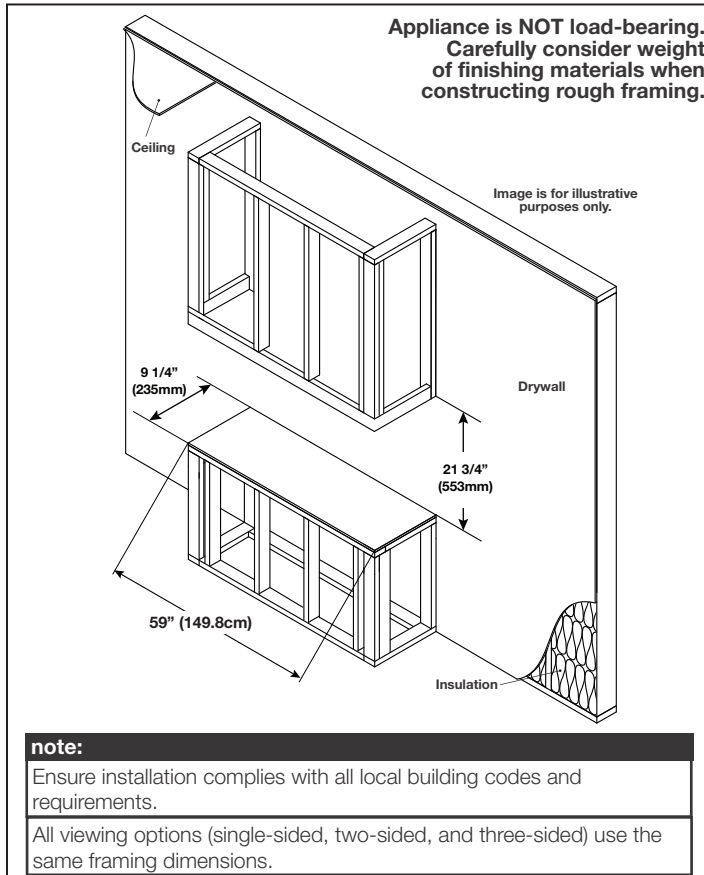
Specifications

Model	BTU	Width	Height	Depth	Viewing Area
NEFB60H-3SV	5000/10000	60	21 1/2	9 1/2	58 5/8 X 15

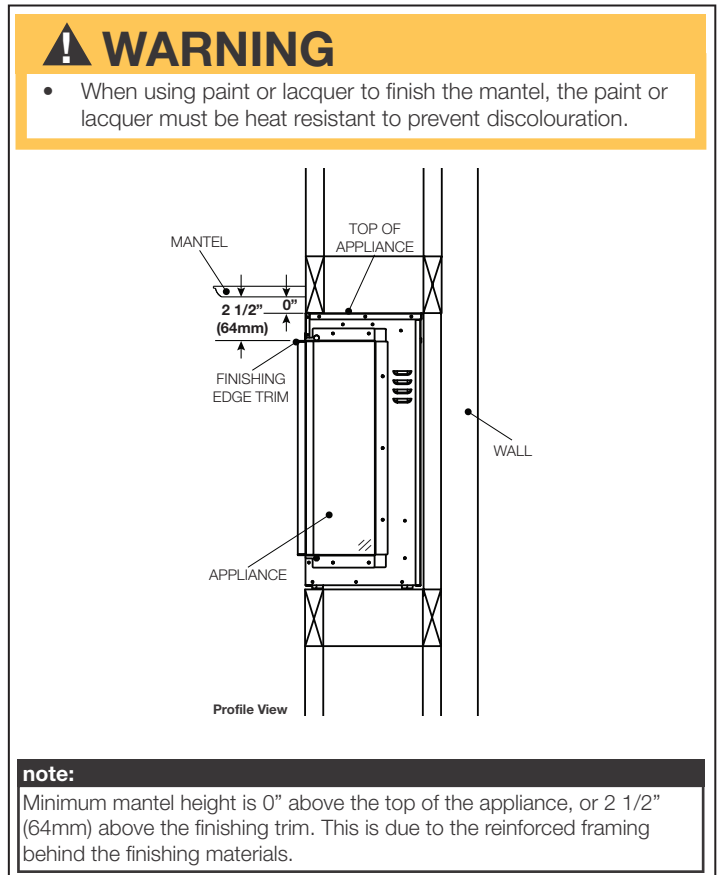
Dimensions



Rough Framing



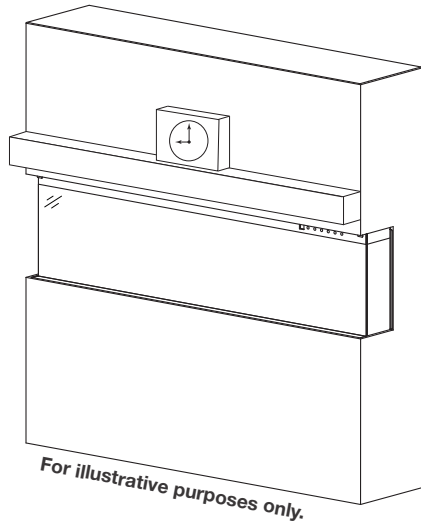
Minimum Mantel Clearances



Product information provided is not complete and is subject to change without notice. Please consult the installation manual for the most up to date installation information.

Installation Overview

Your appliance is capable of three unique installation configurations: **three-sided, two-sided, and single-sided.**

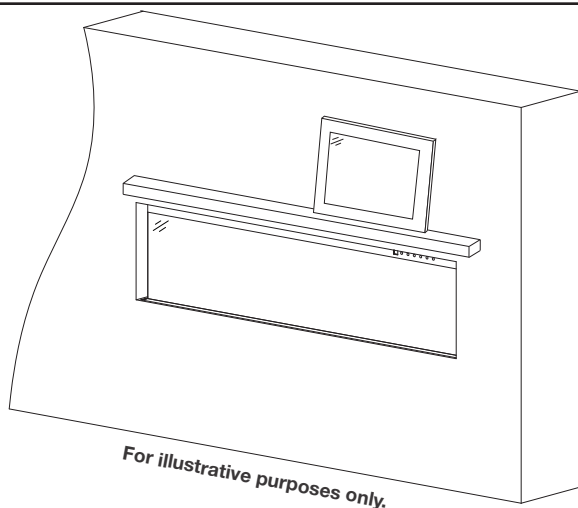
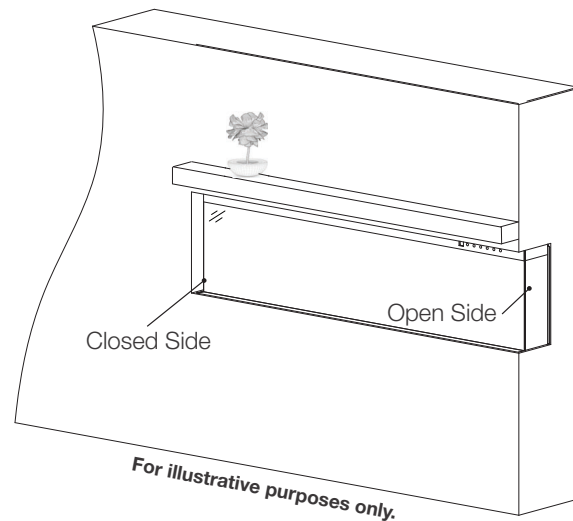


Three-Sided Viewing Installation

- Appliance is fully recessed into the wall with both sides open
- Front, left, **and** right side views

Two-Sided Viewing Installation

- Appliance is fully recessed into the wall with one side open
- Front view **and** left/right side view, depending on desired open/closed sides



Single-Sided Viewing Installation

- Appliance is fully recessed into the wall
- Front view **only**
- Left and right side views are covered