

# CARA ELITE WALLMOUNT ELECTRIC FIREPLACE

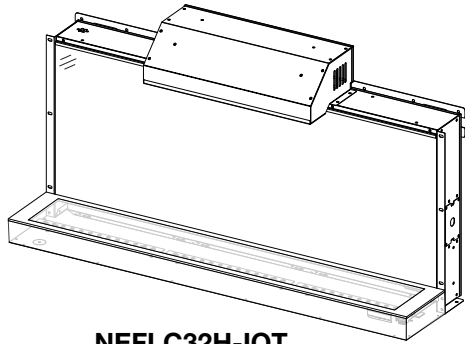


## Specifications

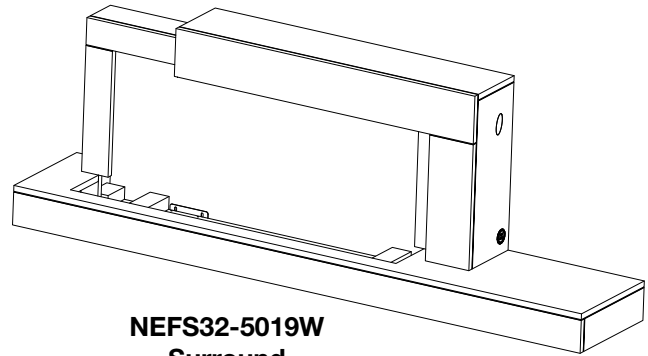
Model	BTU	Width	Height	Depth	Viewing Area
NEFP32-5019W-IOT	5,000	59 1/8	20 5/16	11	12 x 31 7/8

## Appliance Overview

Your NEFP32-5019W-IOT electric appliance comes fully assembled with the exception of media (see "finishing" section for more details). It consists of the following two components:

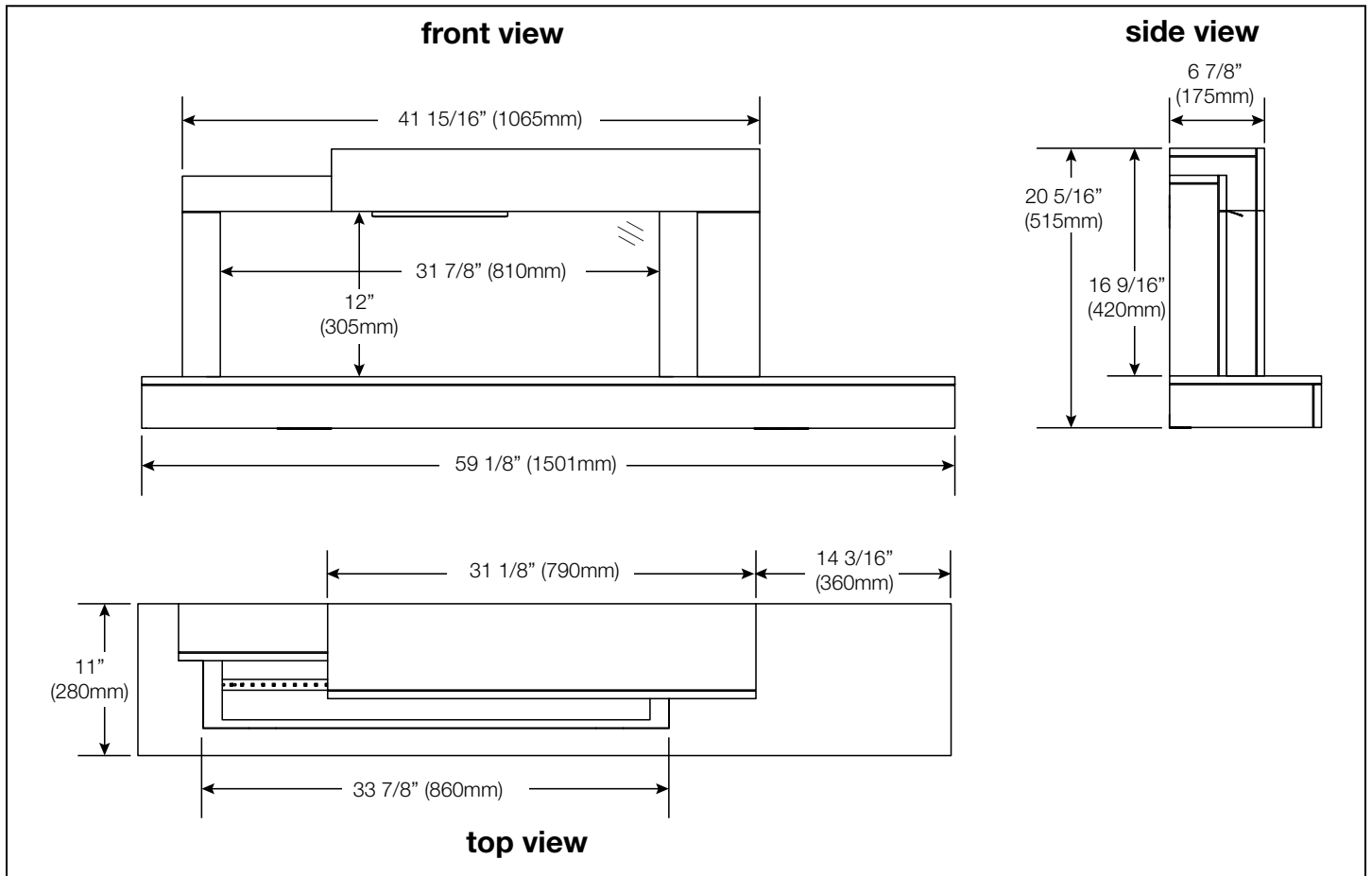


**NEFLC32H-IOT  
E-Box**



**NEFS32-5019W  
Surround**

## Dimensions



W415-4106 / 09.20.22

# CARA ELITE WALLMOUNT ELECTRIC FIREPLACE



Product information provided is not complete and is subject to change without notice. Please consult the installation manual for the most up to date installation information.

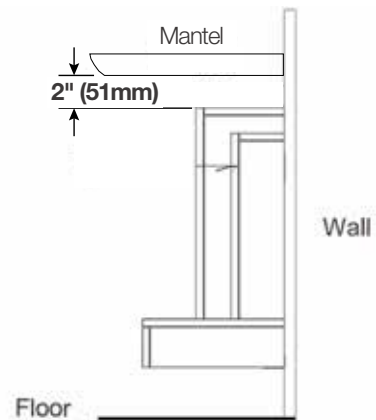
## Minimum Mantel Clearances

### **! WARNING**

- When using paint or lacquer to finish the mantel, the paint or lacquer must be heat resistant to prevent discolouration.

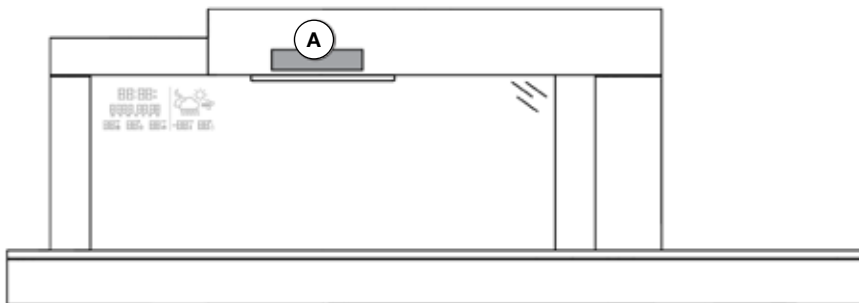
#### **note:**

Although this appliance is safe to operate with a 0" mantel height, a 2" (51mm) gap between the appliance and the mantel is recommended in order to lift the appliance on/off the rear wall bracket hooks.

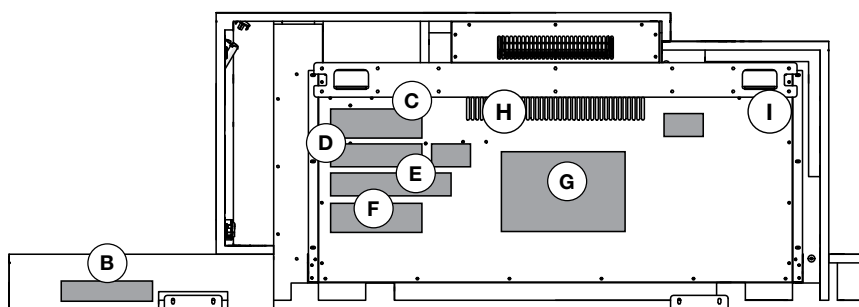


Side View (Wall Mount)

## Label Location



FRONT VIEW



BACK VIEW

Ref.	Part Number	Label Description
A	W385-1946	"Do Not Cover"
B	W385-2016	C.A.R.B. Label
C	W385-2167	Caution
D	W385-2163	Warning
E	W385-2348	Hardwiring
F	W385-2559	Rating Plate
G	W385-2561	Wiring Diagram
H	-	FCC Label
I	-	Wifi DSN Number

#### **note:**

For illustrative purposes only. Label locations may vary.