

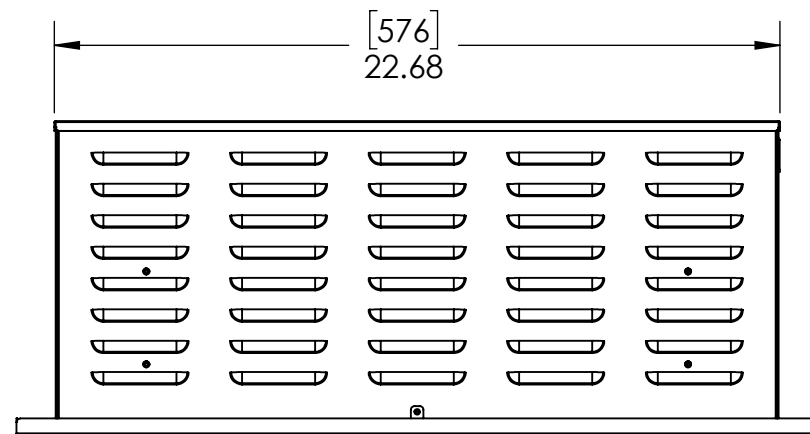
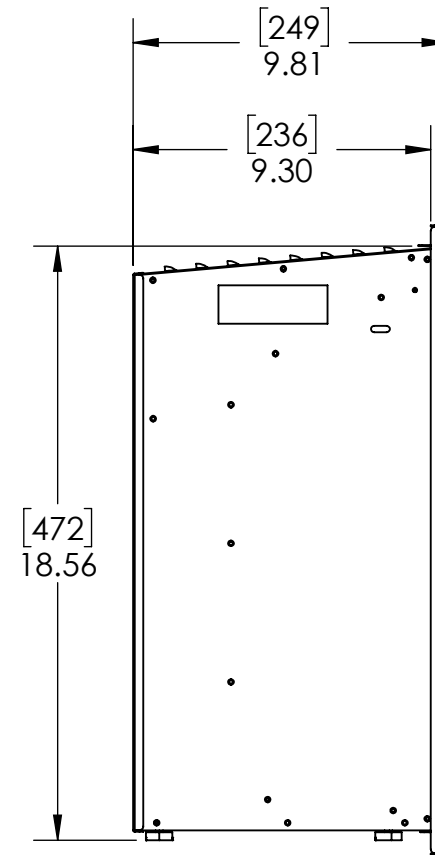
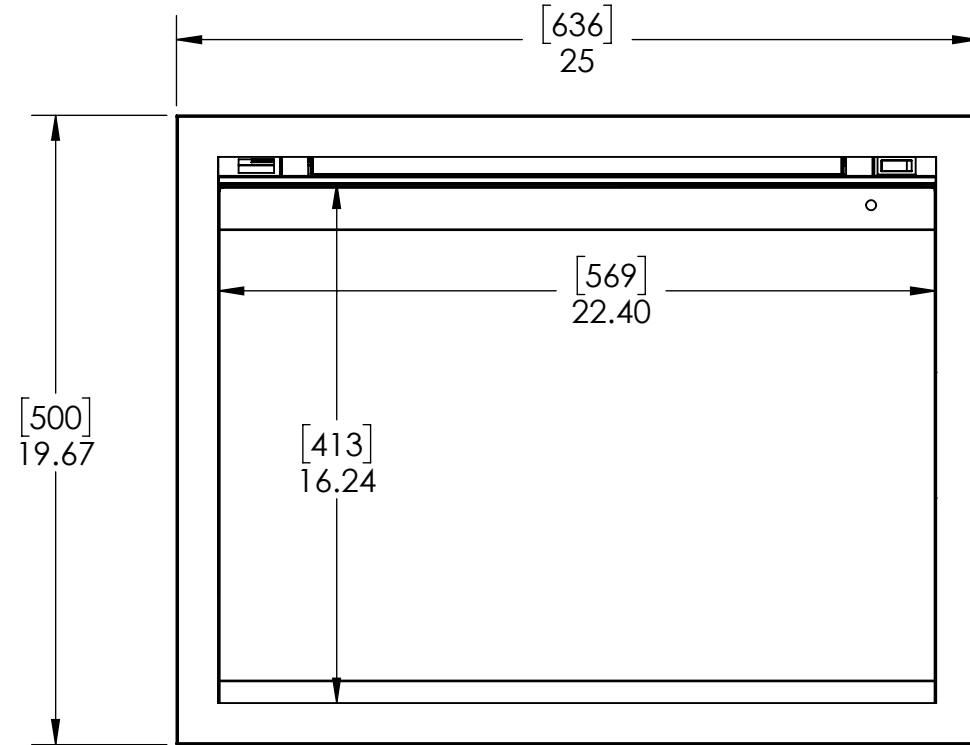
4

3

2

1

REVISIONS				
ZONE	REV.	DESCRIPTION	DATE	APPROVED



UNLESS OTHERWISE SPECIFIED:		NAME	DATE	<b>RPG BRANDS</b>	
DIMENSIONS ARE IN INCHES		DRAWN	D.FASZER		
TOLERANCES:		CHECKED			TITLE: <b>26" ORION TRADITIONAL</b>
FRACTIONAL ±		ENG APPR.			
ANGULAR: MACH ±1° BEND ±1°		MFG APPR.			
TWO PLACE DECIMAL ±.010		Q.A.			
THREE PLACE DECIMAL ±.005		<b>PROPRIETARY AND CONFIDENTIAL</b>			SIZE
INTERPRET GEOMETRIC TOLERANCING PER:		THE INFORMATION CONTAINED IN THIS DRAWING IS THE SOLE PROPERTY OF RICHARDSON'S PRODUCT GROUP. ANY REPRODUCTION IN PART OR AS A WHOLE WITHOUT THE WRITTEN PERMISSION OF RICHARDSON'S PRODUCT GROUP IS PROHIBITED.			DWG. NO.
MATERIAL		DO NOT SCALE DRAWING			<b>B</b>
FINISH					<b>OR26-TRAD</b>
					REV
					<b>X01</b>
					SCALE: 1:6
					WEIGHT:
					SHEET 1 OF 1

4

3

2

1

B

B

A

A

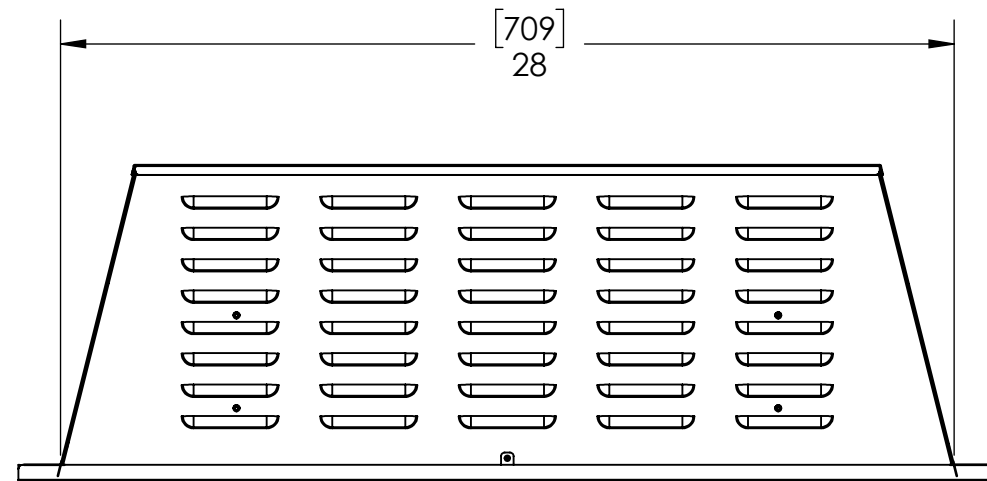
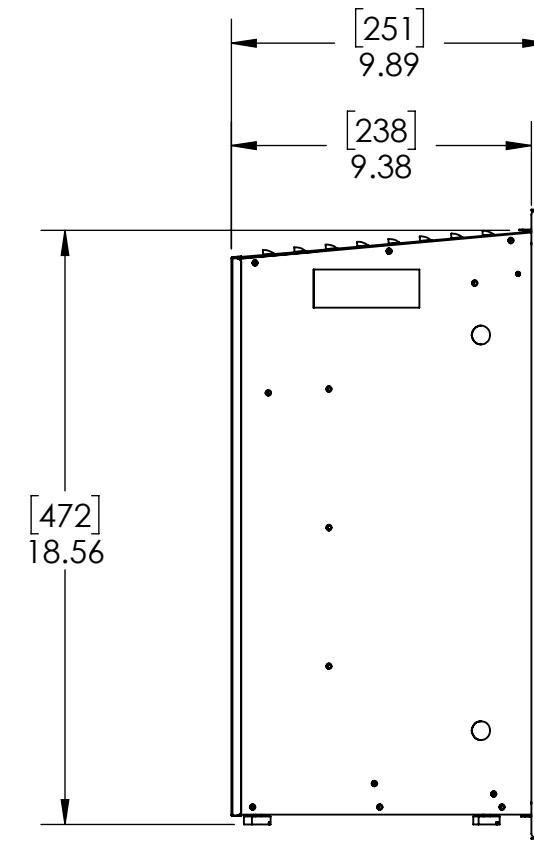
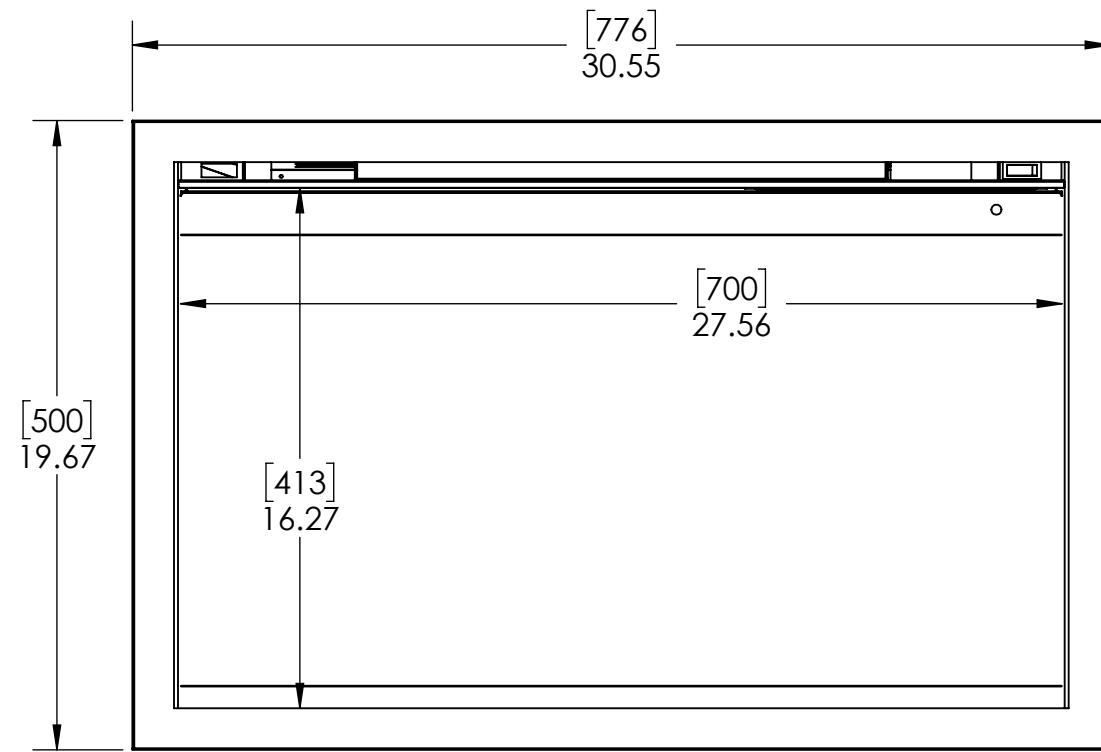
4

3

2

1

REVISIONS				
ZONE	REV.	DESCRIPTION	DATE	APPROVED



UNLESS OTHERWISE SPECIFIED:		NAME	DATE	<b>RPG BRANDS</b>	
DIMENSIONS ARE IN INCHES		DRAWN	D.FASZER		
TOLERANCES:		CHECKED			TITLE: <b>30" ORION TRADITIONAL</b>
FRACTIONAL ±		ENG APPR.			
ANGULAR: MACH ±1° BEND ±1°		MFG APPR.			
TWO PLACE DECIMAL ±.010		Q.A.			
THREE PLACE DECIMAL ±.005		<b>PROPRIETARY AND CONFIDENTIAL</b> THE INFORMATION CONTAINED IN THIS DRAWING IS THE SOLE PROPERTY OF RICHARDSON'S PRODUCT GROUP. ANY REPRODUCTION IN PART OR AS A WHOLE WITHOUT THE WRITTEN PERMISSION OF RICHARDSON'S PRODUCT GROUP IS PROHIBITED.			SIZE
INTERPRET GEOMETRIC TOLERANCING PER:					DWG. NO.
MATERIAL					<b>B</b>
FINISH					<b>30-TRAD</b>
DO NOT SCALE DRAWING					REV
					<b>X01</b>
					SCALE: 1:6
					WEIGHT:
					SHEET 1 OF 1

4

3

2

1

B

B

A

A

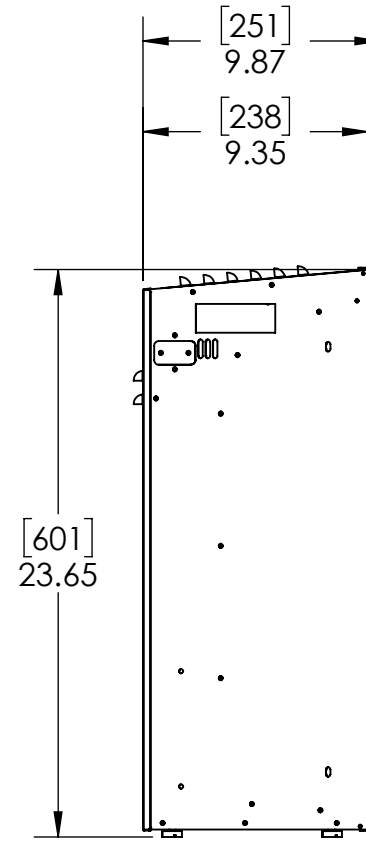
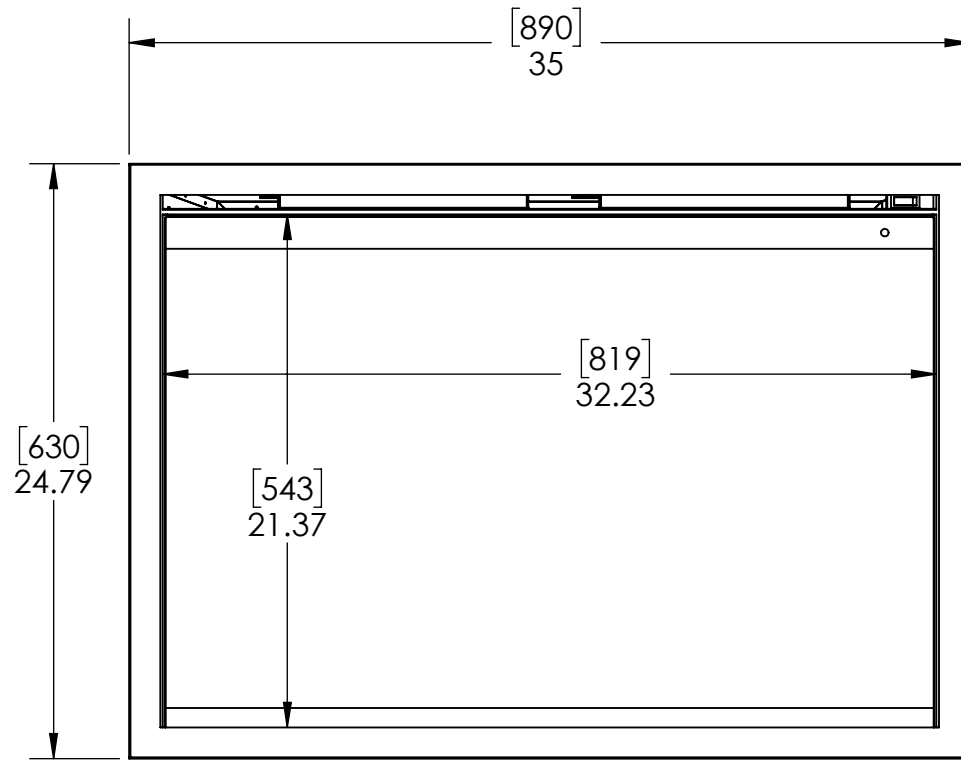
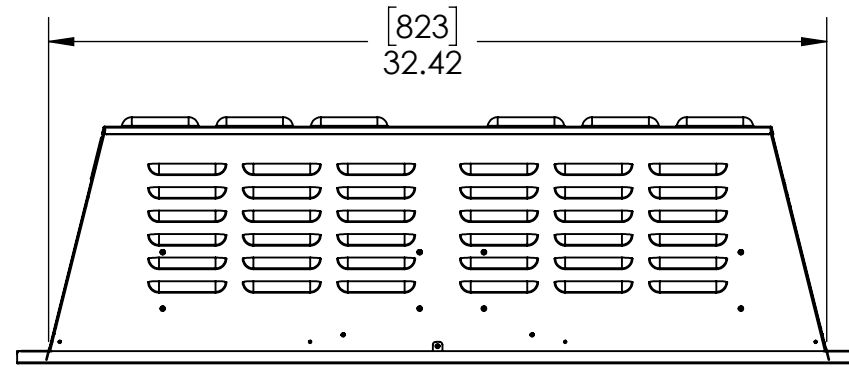
4

3

2

1

REVISIONS				
ZONE	REV.	DESCRIPTION	DATE	APPROVED



UNLESS OTHERWISE SPECIFIED:		NAME	DATE	<b>RPG BRANDS</b>	
DIMENSIONS ARE IN INCHES		DRAWN	D.FASZER		
TOLERANCES:		CHECKED			TITLE: 36" ORION TRADITIONAL
FRACTIONAL ±		ENG APPR.			
ANGULAR: MACH ±1° BEND ±1°		MFG APPR.			
TWO PLACE DECIMAL ±.010		Q.A.			SIZE DWG. NO. REV <b>B</b> 36-TRAD X01
THREE PLACE DECIMAL ±.005		<b>PROPRIETARY AND CONFIDENTIAL</b> THE INFORMATION CONTAINED IN THIS DRAWING IS THE SOLE PROPERTY OF RICHARDSON'S PRODUCT GROUP. ANY REPRODUCTION IN PART OR AS A WHOLE WITHOUT THE WRITTEN PERMISSION OF RICHARDSON'S PRODUCT GROUP IS PROHIBITED.			
INTERPRET GEOMETRIC TOLERANCING PER:		DO NOT SCALE DRAWING		SCALE: 1:8	WEIGHT:
MATERIAL				SHEET 1 OF 1	
FINISH					

4

3

2

1

B

B

A

A

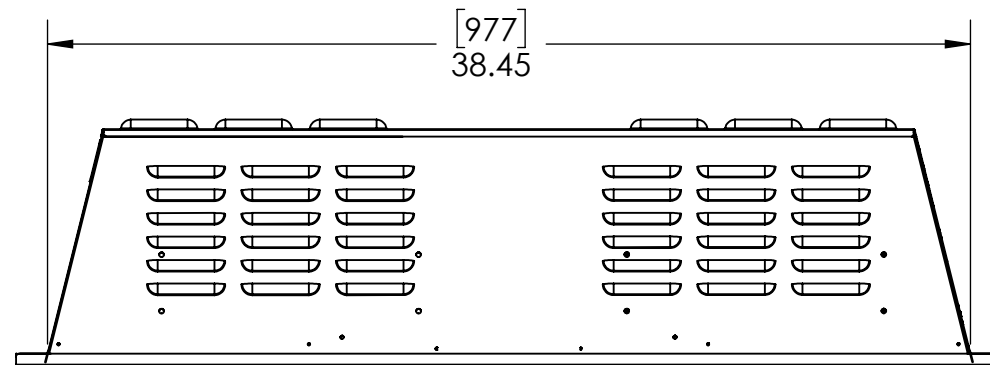
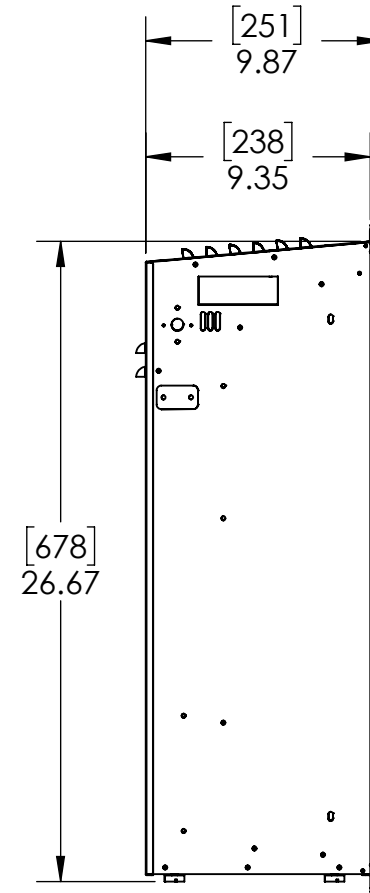
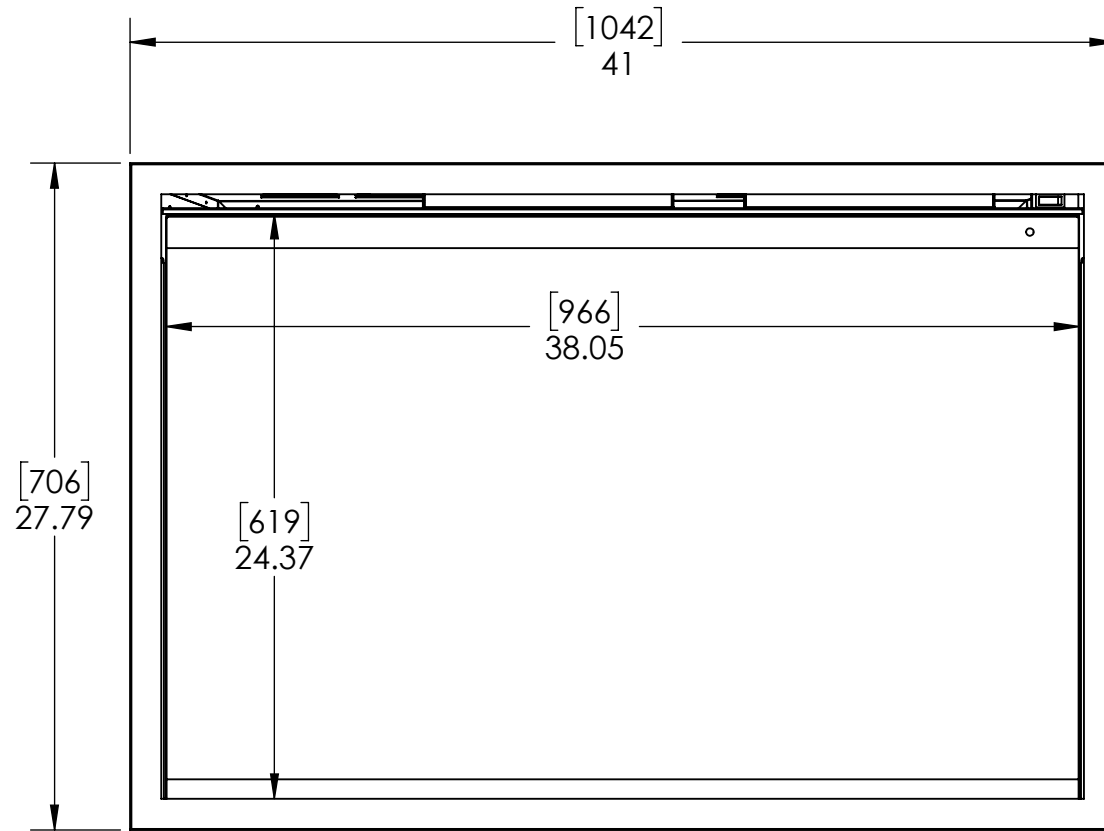
4

3

2

1

REVISIONS				
ZONE	REV.	DESCRIPTION	DATE	APPROVED



UNLESS OTHERWISE SPECIFIED: DIMENSIONS ARE IN INCHES TOLERANCES: FRACTIONAL ± ANGULAR: MACH ±1° BEND ±1° TWO PLACE DECIMAL ±.010 THREE PLACE DECIMAL ±.005 INTERPRET GEOMETRIC TOLERANCING PER: MATERIAL FINISH DO NOT SCALE DRAWING	NAME	DATE	<b>RPG BRANDS</b> TITLE: 42" ORION TRADITIONAL		
	DRAWN	D.FASZER			1/23/23
	CHECKED				
	ENG APPR.				
	MFG APPR.				
	Q.A.				
	<b>PROPRIETARY AND CONFIDENTIAL</b> THE INFORMATION CONTAINED IN THIS DRAWING IS THE SOLE PROPERTY OF RICHARDSON'S PRODUCT GROUP. ANY REPRODUCTION IN PART OR AS A WHOLE WITHOUT THE WRITTEN PERMISSION OF RICHARDSON'S PRODUCT GROUP IS PROHIBITED.		SIZE	DWG. NO.	REV
			<b>B</b>	42-TRAD	X01
	SCALE: 1:8	WEIGHT:	SHEET 1 OF 1		

4

3

2

1

B

B

A

A

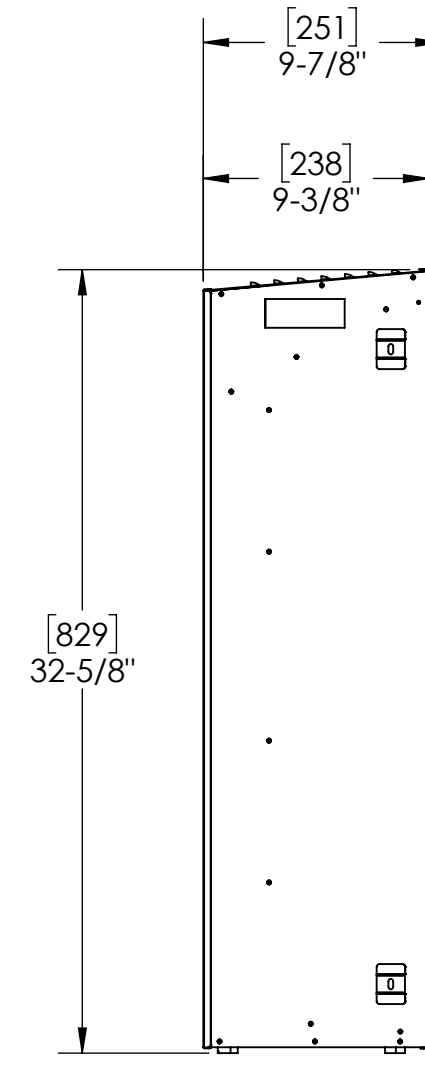
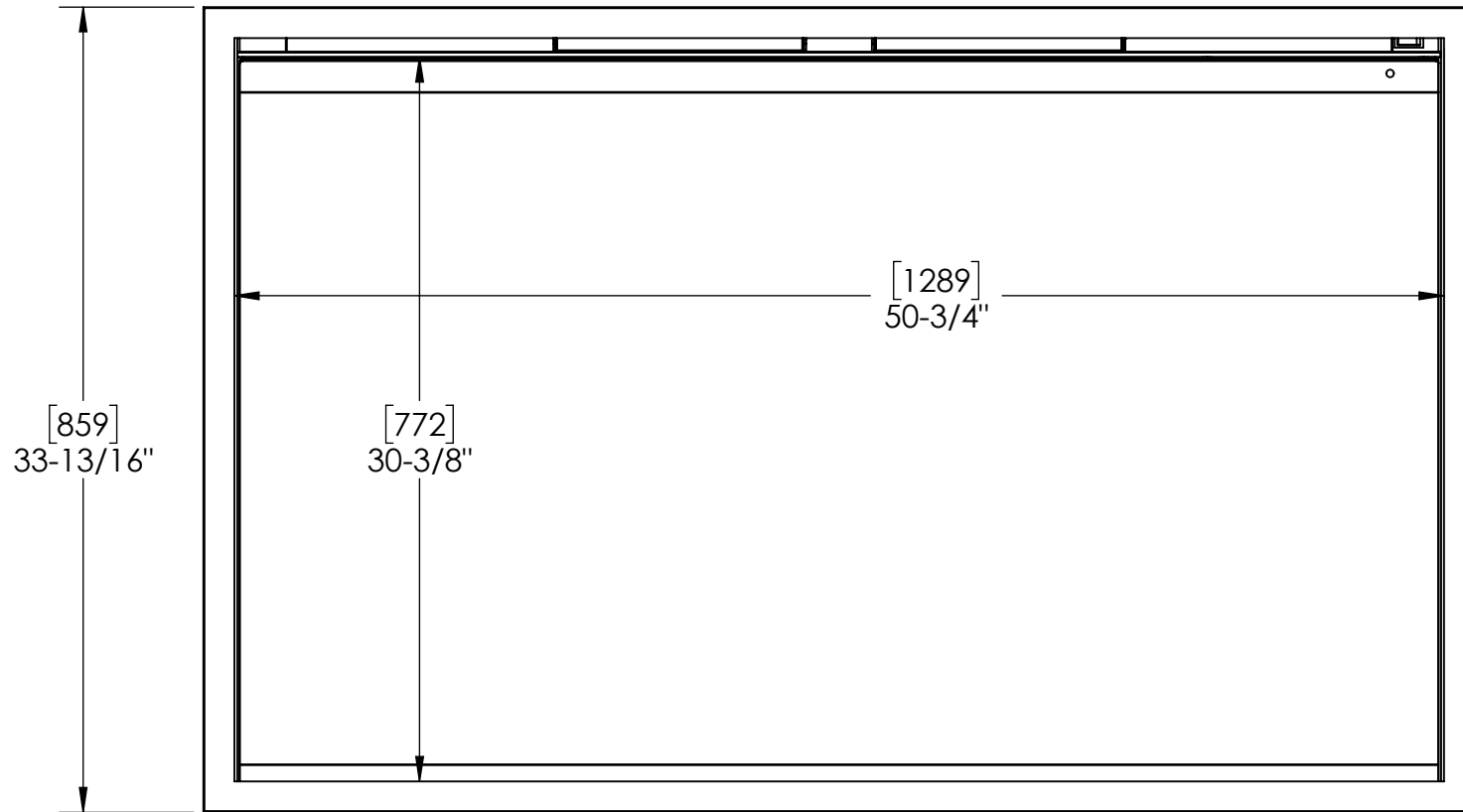
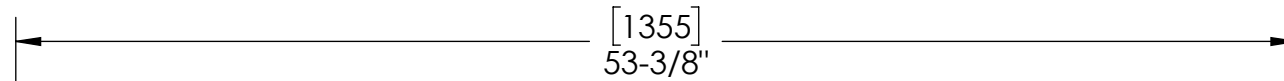
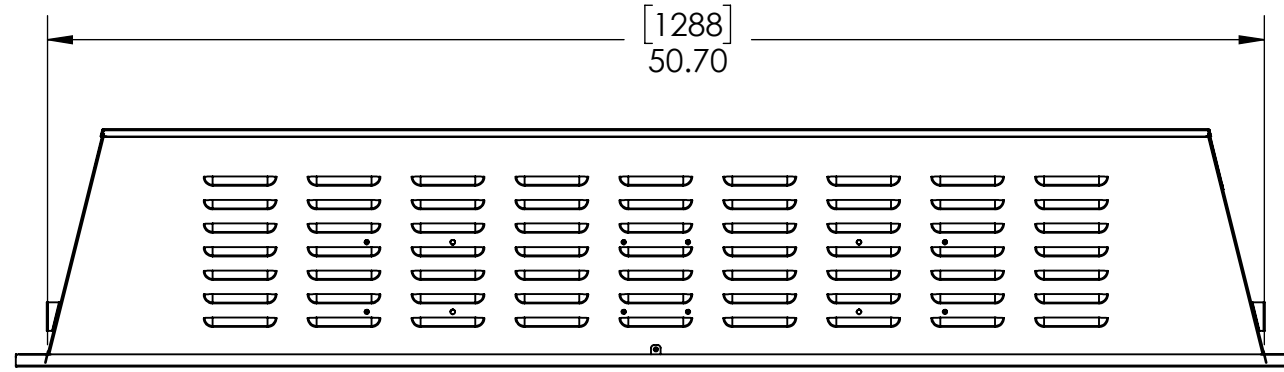
4

3

2

1

REVISIONS				
ZONE	REV.	DESCRIPTION	DATE	APPROVED



UNLESS OTHERWISE SPECIFIED:		NAME	DATE	<b>RPG BRANDS</b>	
DIMENSIONS ARE IN INCHES TOLERANCES: FRACTIONAL ± ANGULAR: MACH ±1° BEND ±1° TWO PLACE DECIMAL ±.010 THREE PLACE DECIMAL ±.005		DRAWN			
INTERPRET GEOMETRIC TOLERANCING PER:		CHECKED			
MATERIAL		ENG APPR.			
FINISH		MFG APPR.			
DO NOT SCALE DRAWING		Q.A.		PROPRIETARY AND CONFIDENTIAL THE INFORMATION CONTAINED IN THIS DRAWING IS THE SOLE PROPERTY OF RICHARDSON'S PRODUCT GROUP. ANY REPRODUCTION IN PART OR AS A WHOLE WITHOUT THE WRITTEN PERMISSION OF RICHARDSON'S PRODUCT GROUP IS PROHIBITED.	
		SIZE	DWG. NO.	REV	
		<b>B</b>	<b>OR54-TRAD</b>		
		SCALE: 1:8	WEIGHT:	SHEET 1 OF 1	

4

3

2

1

B

B

A

A