



# Outdoor Fire Tables

*Assembly & Installation*

# Thank You!

Thank you for purchasing a Modern Blaze Fire Table! We are confident this quality product will last you for years to come. If you need further help or additional information regarding installation, please reach out to your local dealer for assistance.

## Included Parts & Tools

The following parts and tools are included with your Fire Table.

Self Tapping Metal Screws: 50

Tank Slide-out Tray: 1

Slide-out Support Bar: 1

Countertop Support Bar: 2

Leveling Legs: 4

## Photos of Completed Products

We would love to see pictures of your finished and installed project! Please send images to [marketing@modernblaze.com](mailto:marketing@modernblaze.com). High quality images will likely be featured on our social media or website!



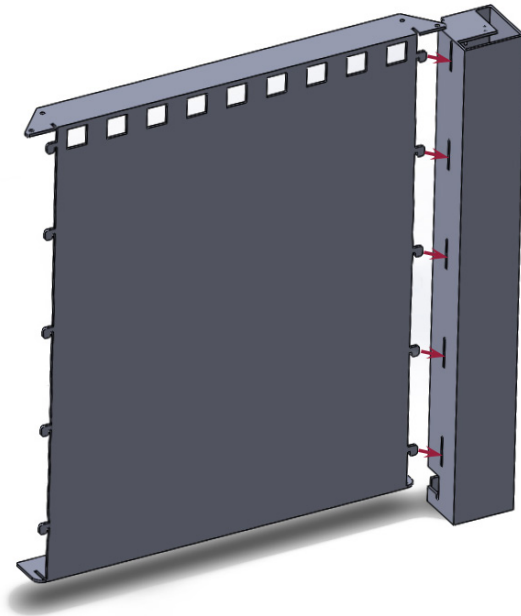


# Fire Table Assembly

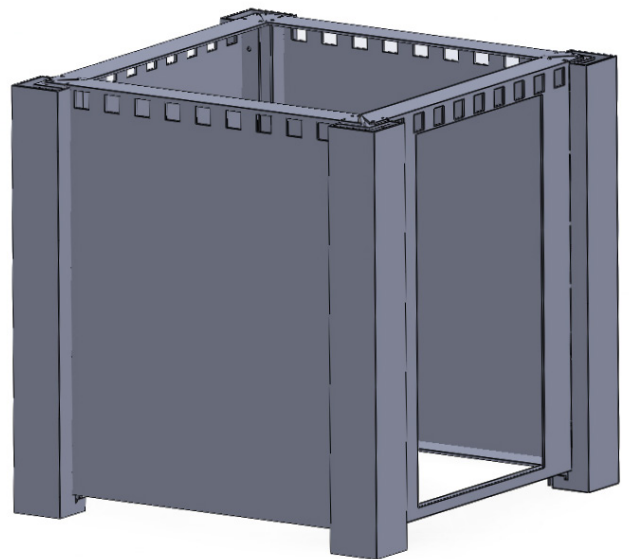
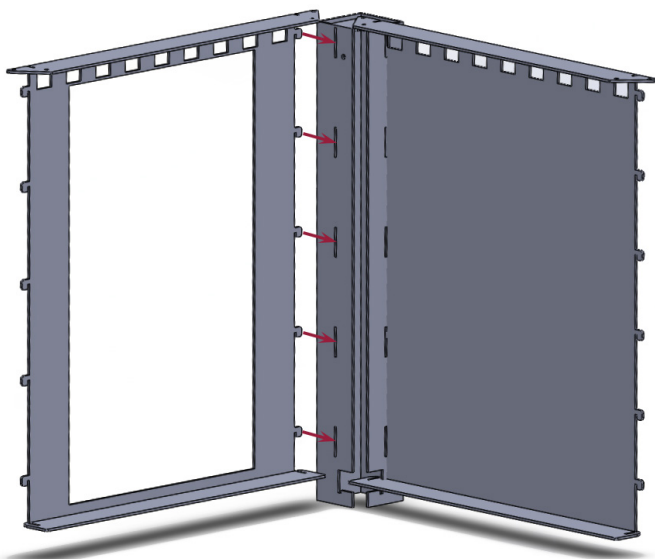
## Shell Construction

The primary fastening mechanism is a slot and cleat system that is laser cut in the corner posts and side panels. The vertical posts will have slots cut in them that correspond with cleats that are cut in the panels.

Connect your fire table sections by sliding the cleat system of each panel into the corresponding slots of each corner post. Using a rubber mallet, ensure cleats are fully seated.

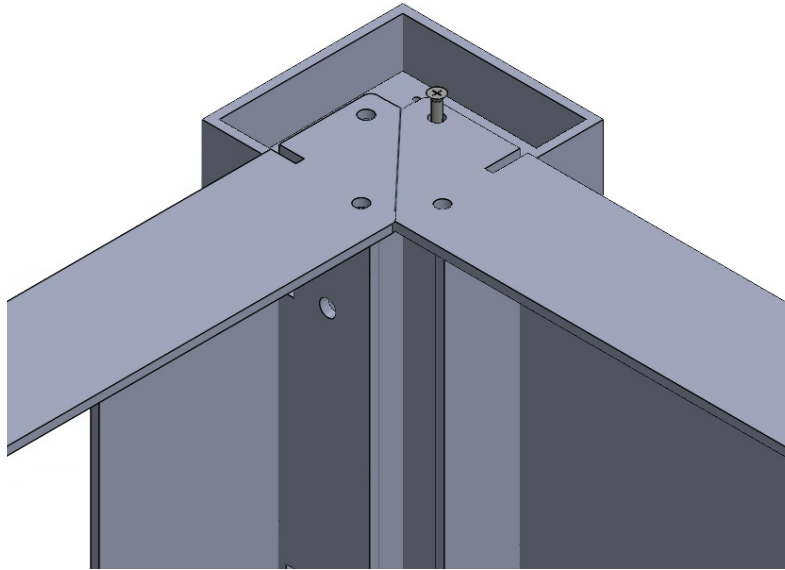


Repeat this process until all of the Corner Posts and Panels are connected.



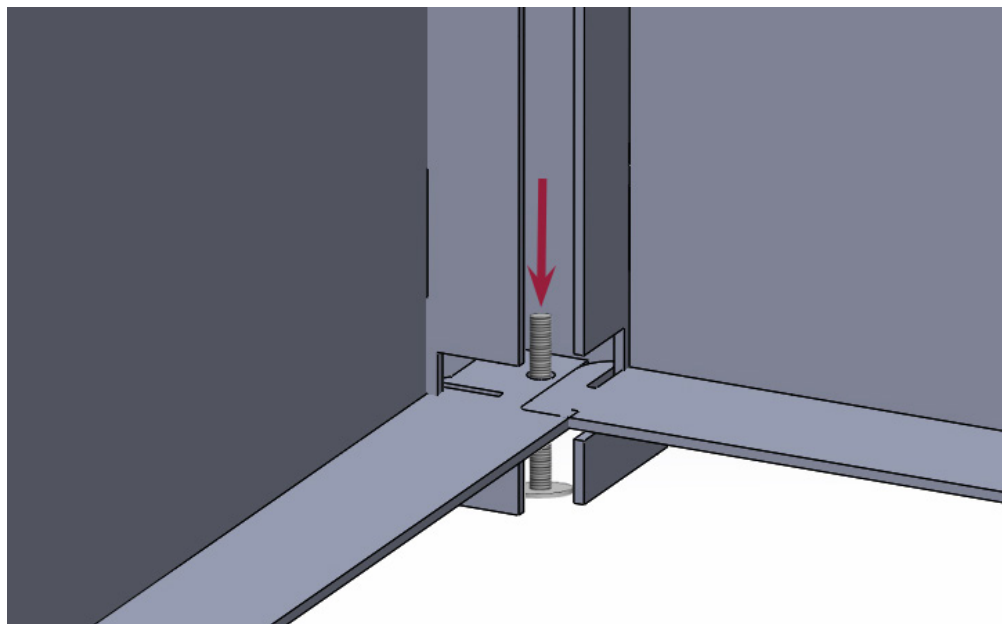
## Shell Construction Continued

Using the provided screws, fasten each post and panel together in the corners of each section. (Hole locations have been pre-drilled in each component to ensure proper alignment.)



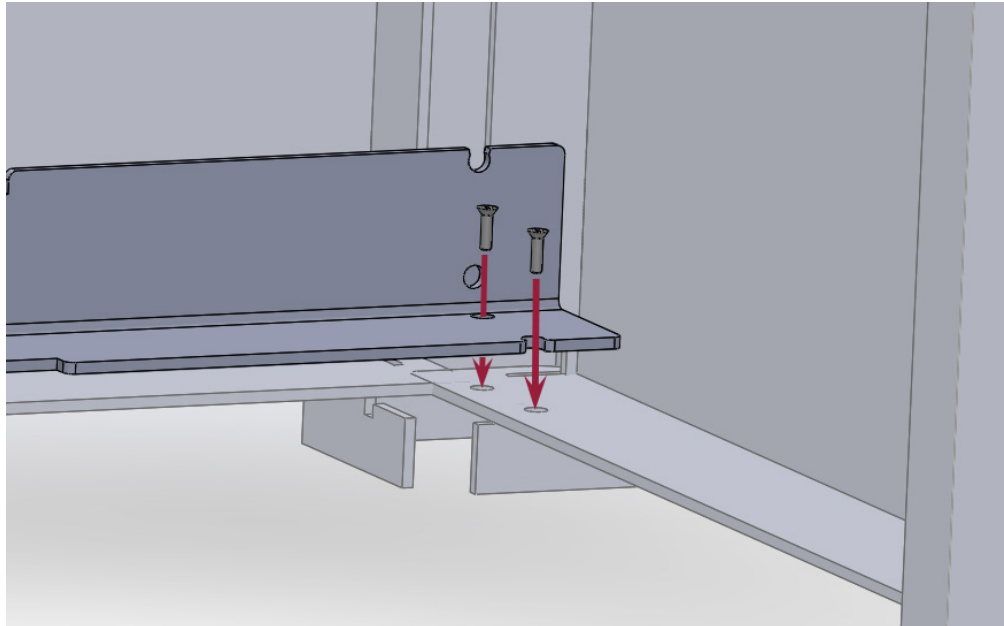
## Leveling System

Each unit will come with adjustable leveling legs. If desired, adjust with the included allen wrench as needed to achieve level. *Using the leveling feet will be at the discretion of the installer, Modern Blaze does not require that the feet be used to elevate the product.*

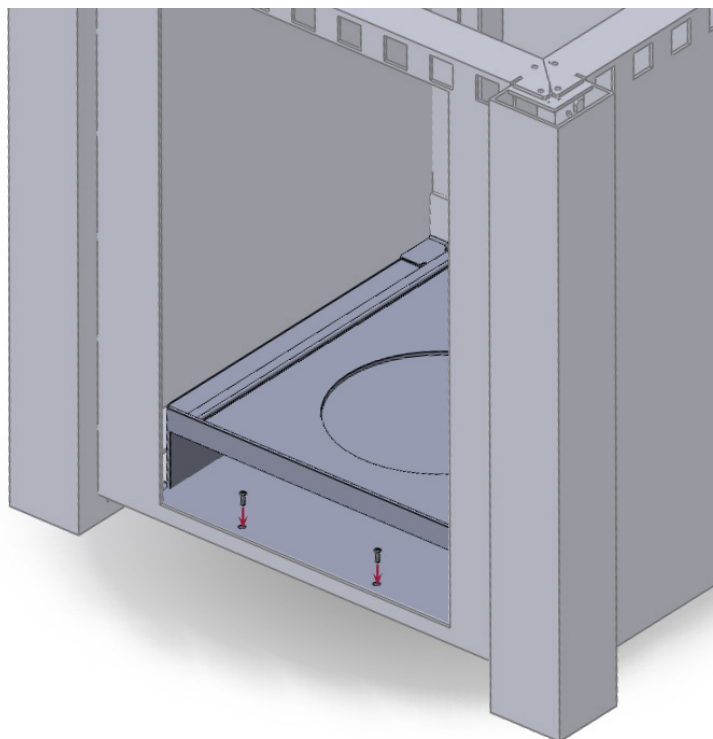


## Tank Slide-out Tray Installation

Using 4 of the provided screws, fasten the support bar to the pre-drilled holes on the bottom flange of each side panel. (*The back of the Slide-out Tray will rest on this support bar*)

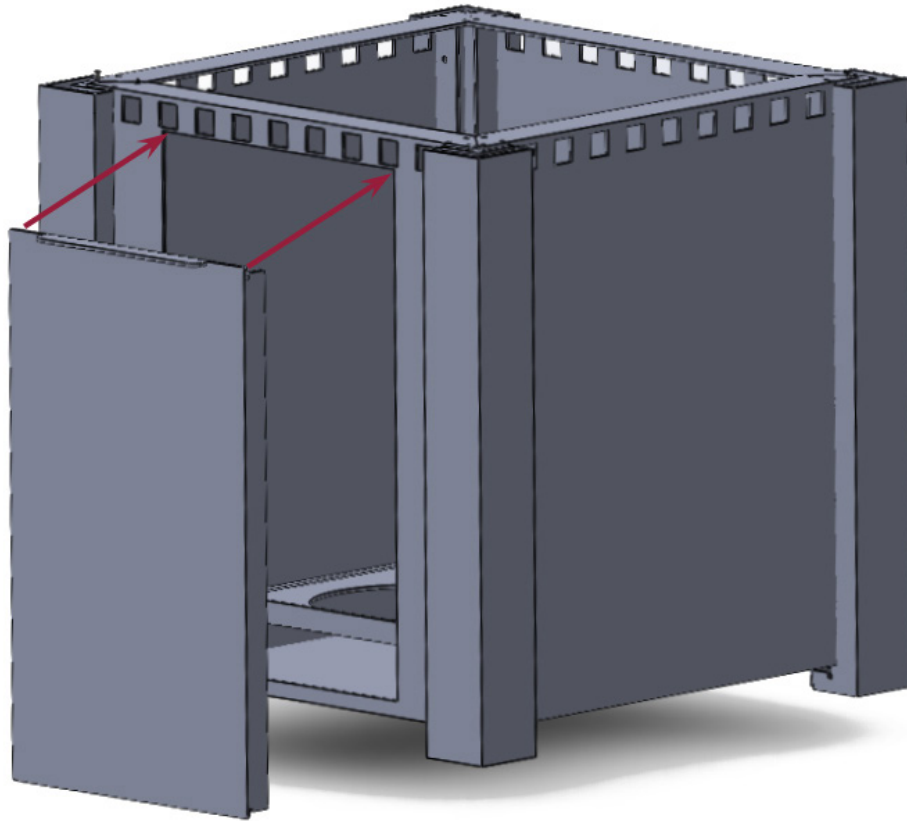


Remove the Access Door, and insert the Tank Slide-out Tray into the Fire Table. Using 4 of the provided screws, fasten the Tank Slide-out Tray to the pre-drilled holes on the bottom lip of the front panel, and the support bar.



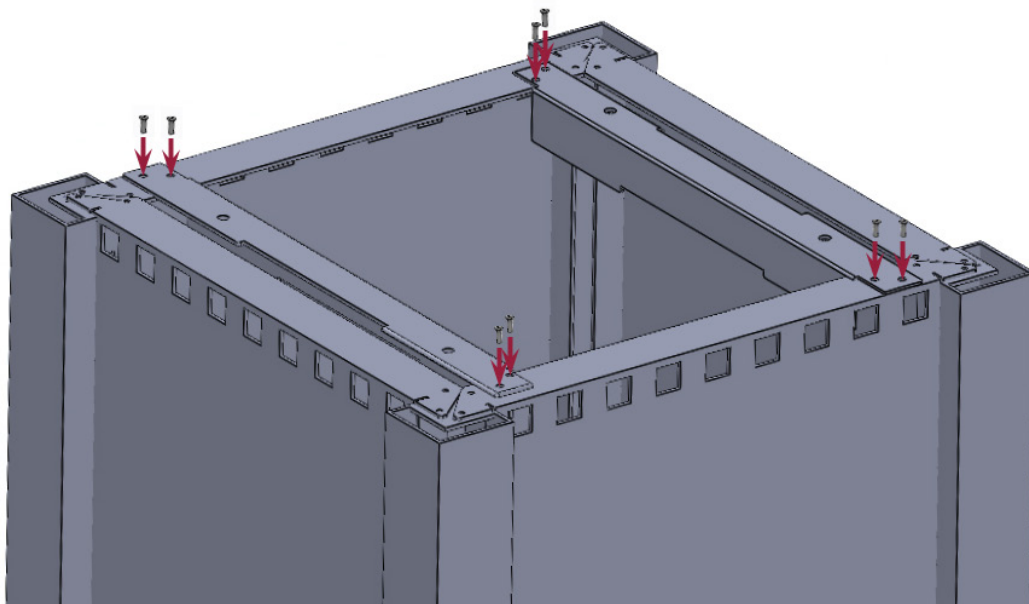
## Access Door

Re-attach the access door by first sliding the top slots on the Access Door onto the top lip of the panel opening, and then lowering the bottom of the door into place.



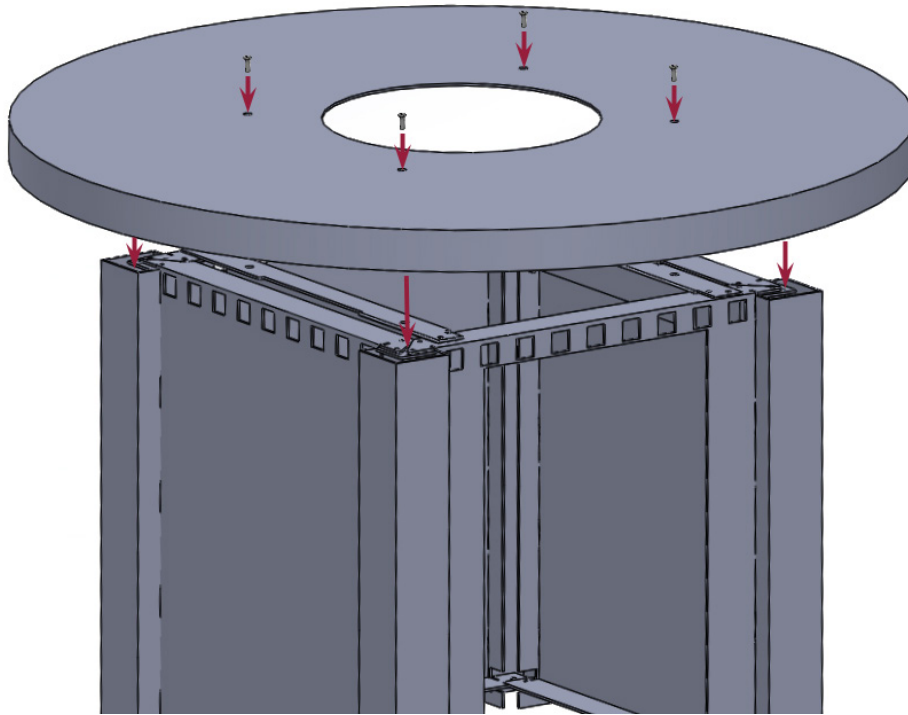
## Countertop Installation

Using the provided screws, install both of the countertop support bars. Align the pre-drilled holes of each support bar with the pre-drilled holes on the top flange of each panel.



## Countertop Installation

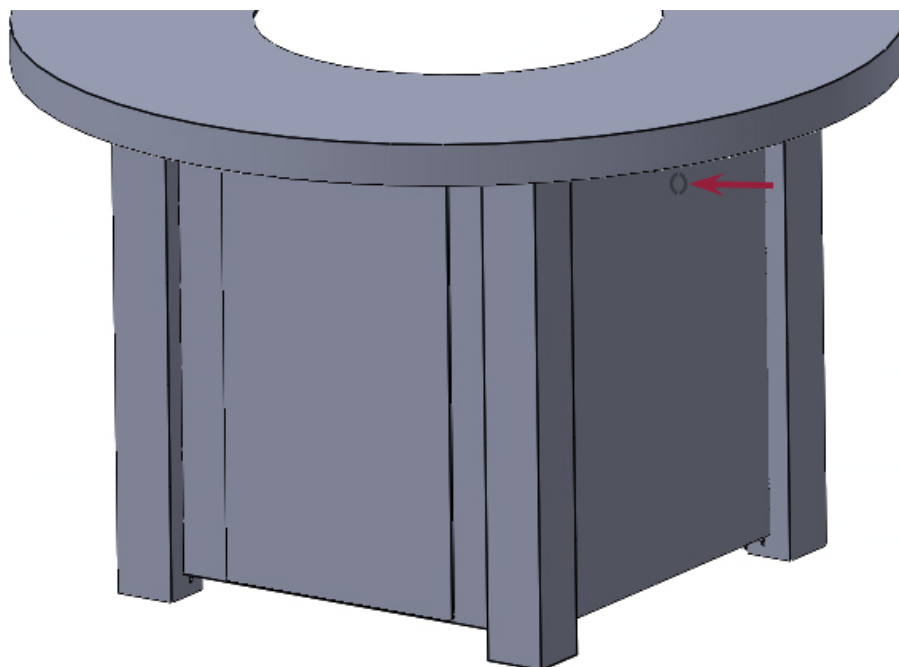
Lower the countertop into place, and center it on the top of the Fire Table. Using the provided screws, attach the countertop to the support bars. Align the pre-drilled holes in the countertop with the corresponding holes in the support bars.



---

## Burner Installation

Your countertop will be pre-cut to the specifications provided for your specific burner. Following the instructions provided by the burner manufacturer, install your burner into the countertop. Each panel contains a gas valve knock-out, designed to fit a 3/4" threaded coupling. Remove the knock-out from the desired panel, and install the gas shutoff valve.



# Operation & Maintenance

- Excessive heat can cause damage to the finish. This type of damage, caused by overheating, is considered abuse and is not covered under warranty. A wind shield is recommended to help protect your countertop from overheating.
- Your Fire Table can be cleaned using a damp cloth and soap or mild household cleaner, or rubbing alcohol for *tougher stains*. *To avoid damage to the finish, abrasive cleaning products and cleaners containing ammonia or other harsh chemicals should be avoided. For 3rd party burners and components, please follow the manufacturers instructions for cleaning and maintenance.*
- It is recommended to wax your Fire Table at least once a year to help protect the finish against wear and fading. Any common car wax can be used.

## Warranty

Your Modern Blaze Products are covered by a 3 year limited warranty. For more information, please visit [www.stollindustries.com/resources](http://www.stollindustries.com/resources). All warranty claims must be placed through your local dealer.

If you purchased a burner through **Modern Blaze**, it is warrantied by Firegear Outdoors. Stainless steel burners and pans are covered by a lifetime warranty, and additional components such as gas valves are covered by a 5 year warranty. Please contact Firegear Outdoors for any issues or warranty claims related to these products, and not Modern Blaze.

*Firegear Outdoors: 800-966-8126 ~ [info@firegearoutdoors.com](mailto:info@firegearoutdoors.com)*

### **WARNING**

This product can expose you to chemicals including Carbon Black, which is known to the state of California to cause Cancer. For more information go to [www.P65Warnings.ca.gov](http://www.P65Warnings.ca.gov)