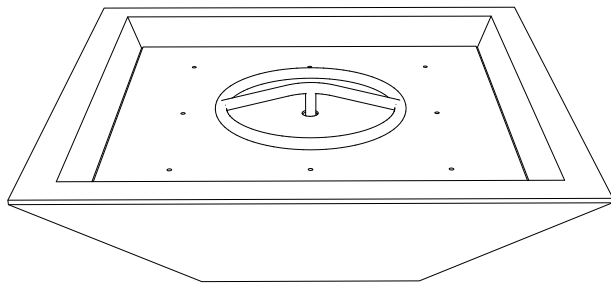
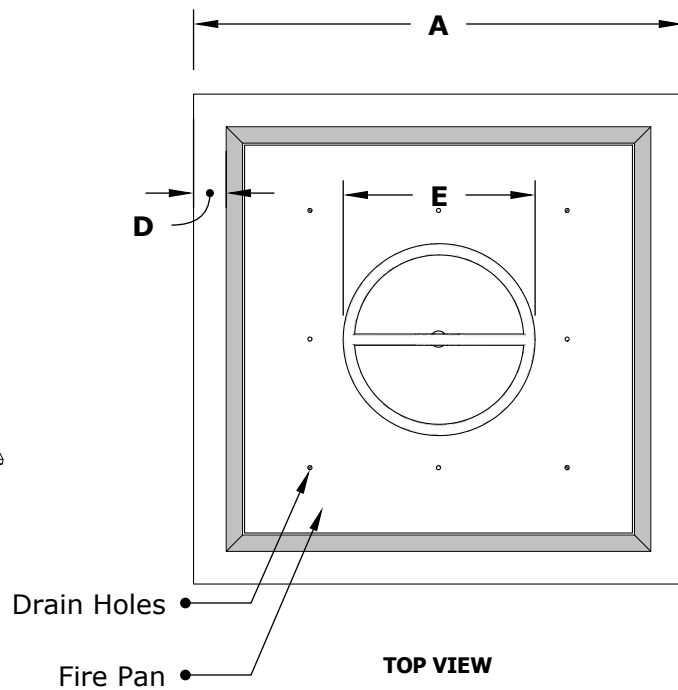


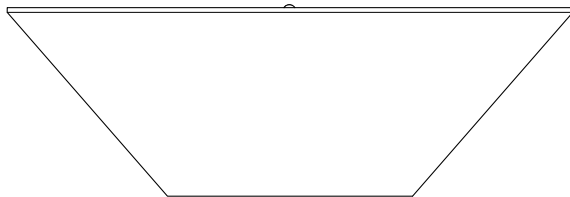
MAYA FIRE BOWL- GFRC CONCRETE



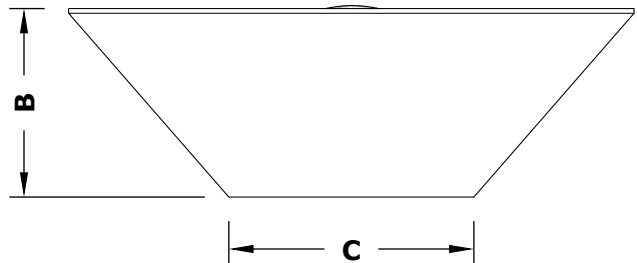
ISOMETRIC VIEW



TOP VIEW



RIGHT SIDE VIEW



FRONT SIDE VIEW

SKU	A	B	C	D	E	BTU
OPT-24SFO	24"	10.75"	13"	2"	8" Single Ring	45,000
OPT-30SFO	30"	10.25"	13"	2.5"	12" Single Ring	65,000
OPT-36SFO	36"	12"	20"	3"	12" Single Ring	65,000
OPT-24SFOE12V	24"	10.75"	13"	2"	8" Single Ring	45,000
OPT-30SFOE12V	30"	10.25"	13"	2.5"	12" Single Ring	65,000
OPT-36SFOE12V	36"	12"	20"	3"	12" Single Ring	65,000

Fire Bowl Material: GFRC Concrete
 Finish: Smooth Finish
 Pan Material: 304 Stainless Steel
 Burner Material: 304 Stainless Steel

12V ELECTRONIC IGNITION
 ANSI Z21.97-(2017) / CSA 2.41-(2017)



Includes: Pan, Burner, NG or LP orifice, Whistle Free Hose, Black Lava Rock.