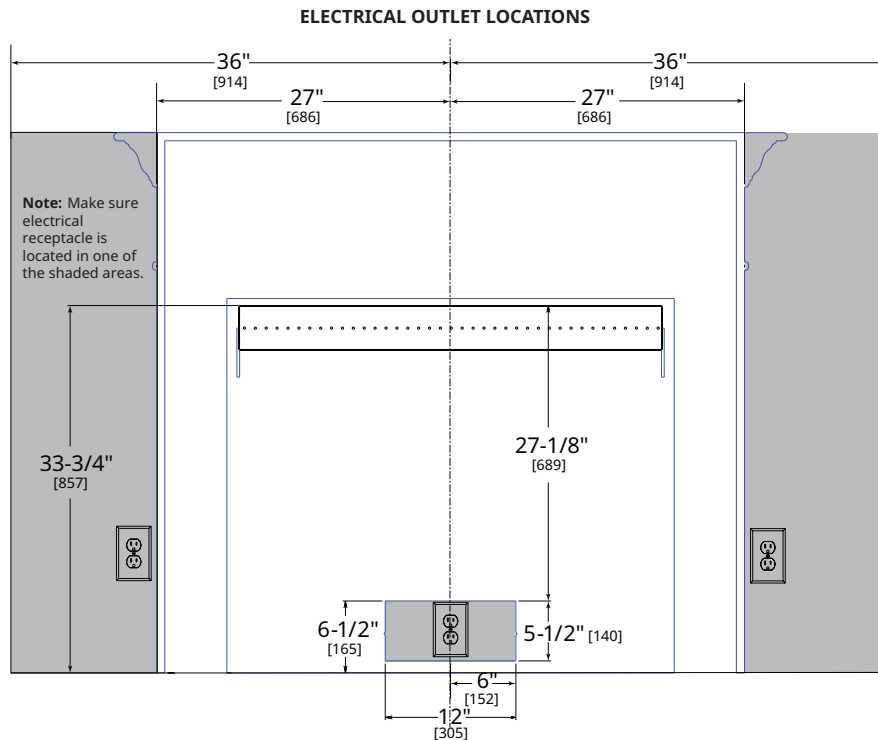
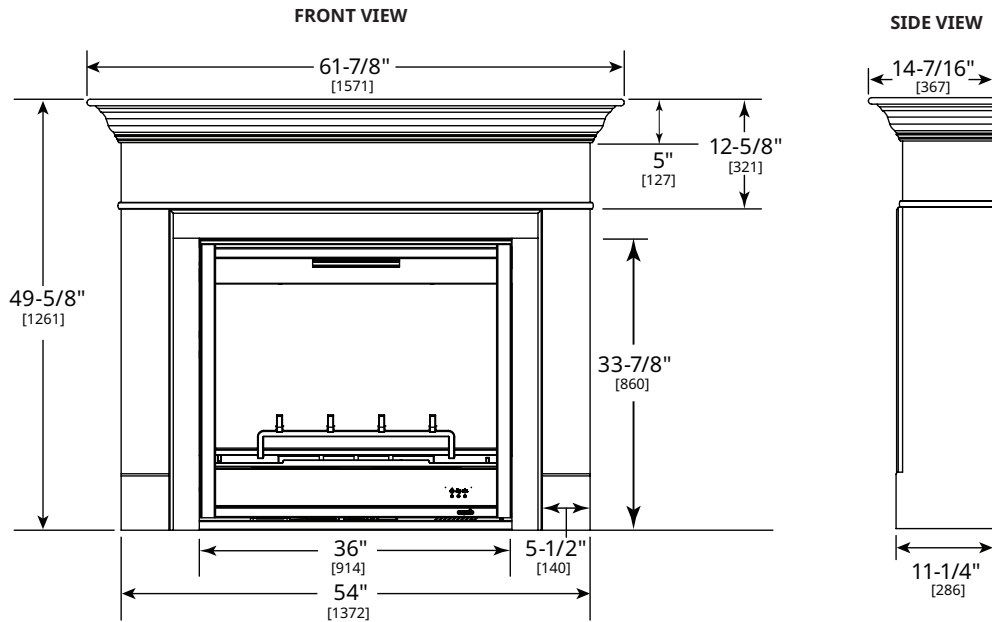




# WESCOT MANTEL KIT

For 36" Inception Electric Fireplace

ACTUAL DIMENSIONS	TOP WIDTH	BASE WIDTH	UNIT HEIGHT	TOP DEPTH	BASE DEPTH
	61-7/8" (1571mm)	54" (1372mm)	49-5/8" (1261mm)	14-7/17" (367mm)	11-1/4" (286mm)



PRODUCT LISTING CODES	
US	CSA 22.2 No 46-13
INTERNATIONAL	CSA 22.2 No 46-13



SimpliFire — A Brand of Hearth & Home Technologies  
 7571 215th Street West | Lakeville, MN 55044  
 888-427-3973 | 952-985-6000 | fireplaces.com

Product information provided is not complete and is subject to change without notice. Product installation must adhere strictly to instructions accompanying product to avoid risk of fire and potential injury.