

**HEMI 36 NG & LP
MANUAL START w/ FLAME SUPERVISION**

Fire is beautiful and also dangerous if not handled properly. Please have a qualified gas fitter setup and install this product according to local codes.

This product has been tested and certified by Labtest Certification Inc. as being safe, as long as these **minimum clearances** to adjacent materials are maintained.

FOR OUTDOOR USE ONLY

NORTH AMERICA SPECIFICATIONS

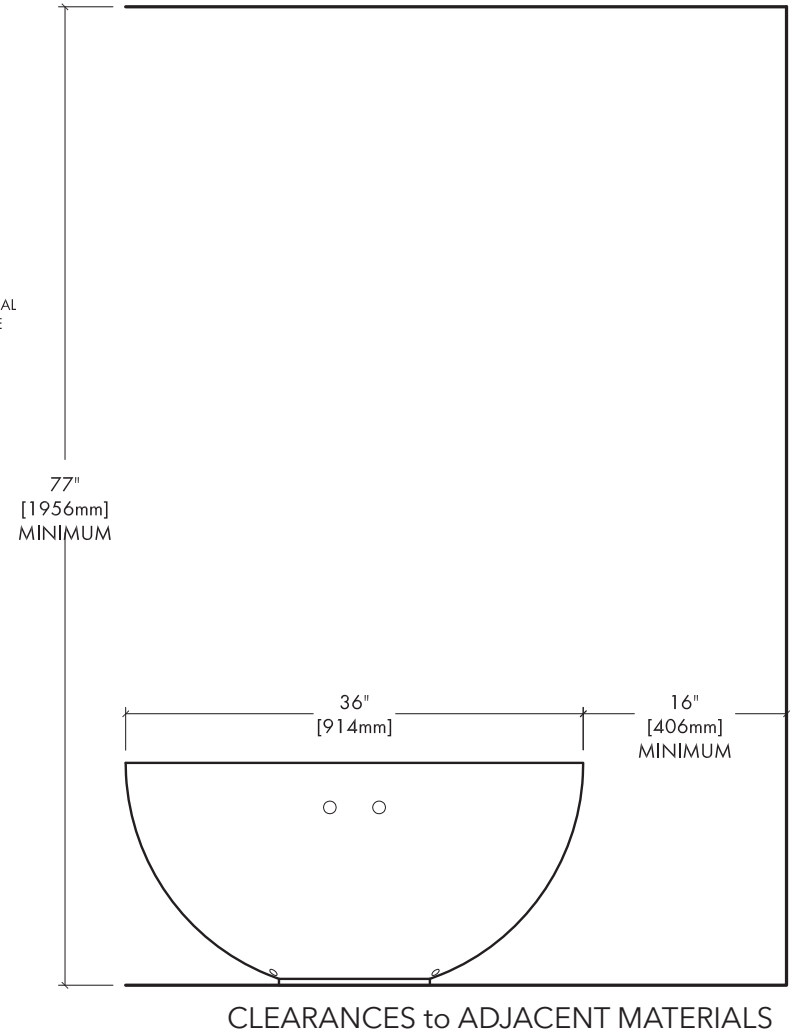
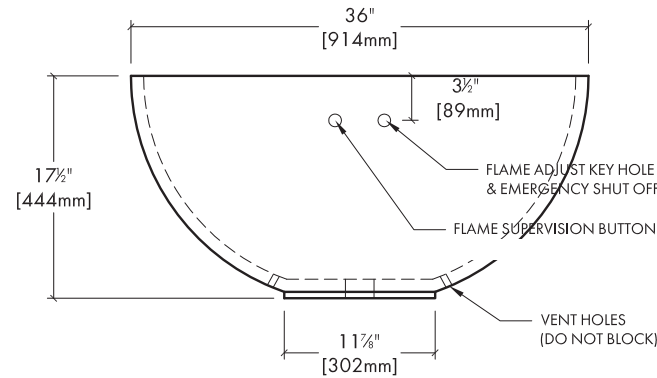
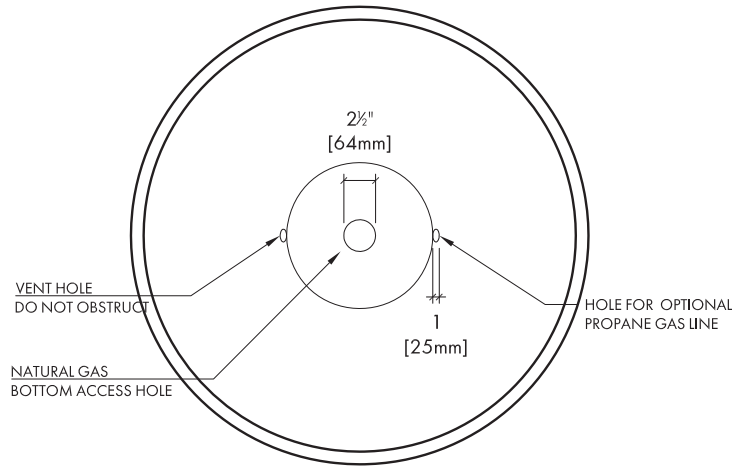
Gas type:	<u>Natural Gas</u>	<u>Propane</u>
Inlet press:	7.0" w.c.	11" w.c.
Manifold press:	2.5" w.c.	4.5" w.c.
Heat Output:	108,000 BTU	108,000 BTU

ANSI Z21.97-2014
CSA 2.17-2017



CONCRETE SPECS

Strength:	10,000 psi (proprietary)
Weight:	156 lbs / 71 kg



NOTE:
The site Electrician must provide a switched electrical line to the firepit location.
SEE: *Electronic Ignition Set up Schematic.*

ACCESSORIES

- 1/ All Weather Fabric Cover /extends warranty.
- 2/ Hardwood Table Top / Sustainable harvest unfinished red Batu wood.
- 3/ Clear Anodized Aluminum top / 1/4" plate with 5/8" supports / extends warranty
- 4/ Glass wind guard.

JOB / ORDER
Name or Number:

Signature & Date:

HEMI 36 MATCH LIT **NG & LP**

Fire is beautiful and also dangerous if not handled properly. Please have a qualified gas fitter setup and install this product according to local codes.

This product has been tested and certified by Labtest Certification Inc. as being safe, as long as these **minimum clearances** to adjacent materials are maintained.

FOR OUTDOOR USE ONLY

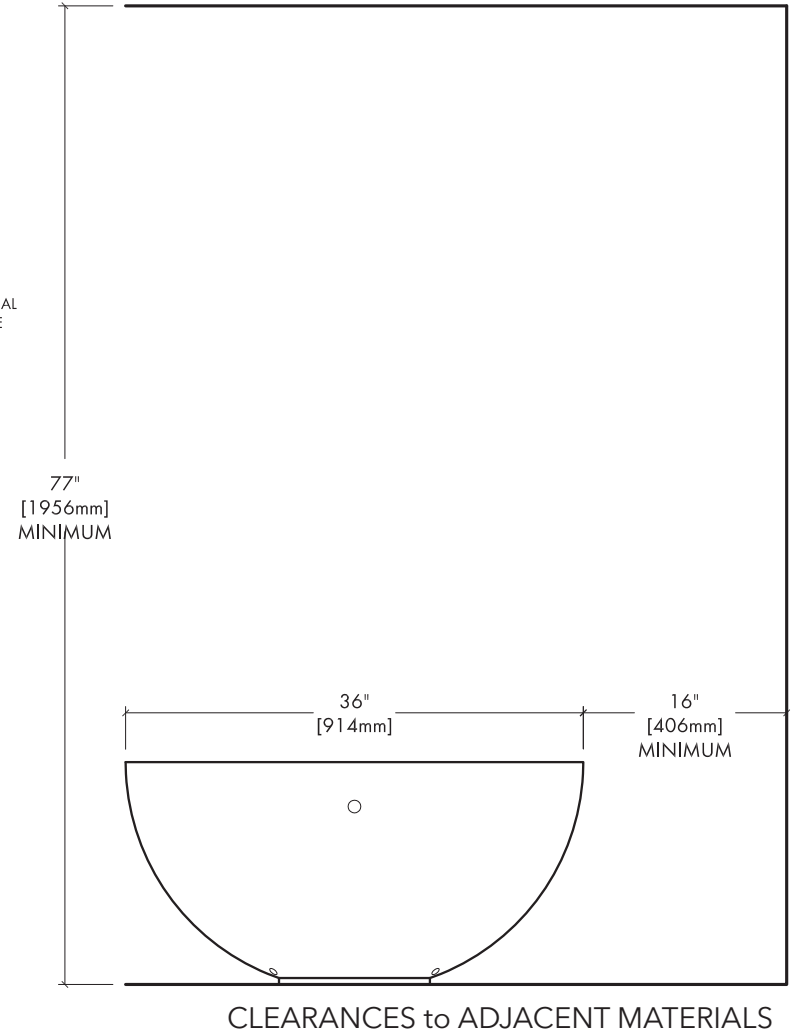
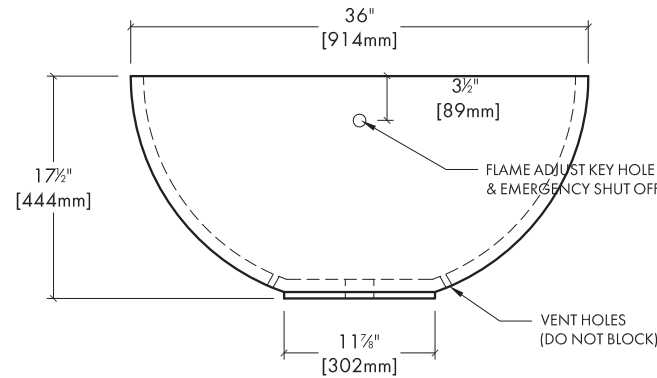
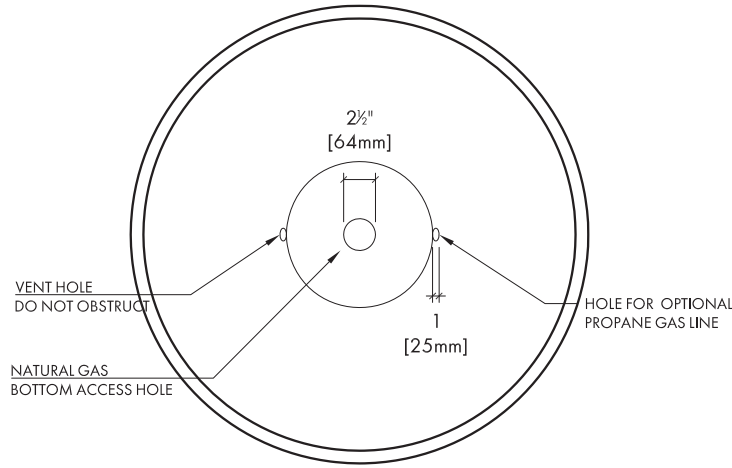
NORTH AMERICA SPECIFICATIONS

Gas type:	Natural Gas	Propane
Inlet press:	7.0" w.c.	11" w.c
Manifold press:	5.8" w.c.	10.5" w.c.
Heat Output:	60,000 BTU	60,000 BTU

ANSI Z21.97-2014
CSA 2.17-2017 

CONCRETE SPECS

Strength: 10,000 psi (proprietary)
Weight: 156 lbs / 71 kg



ACCESSORIES

- 1/ All Weather Fabric Cover /extends warranty.
- 2/ Hardwood Table Top / Sustainable harvest unfinished red Batu wood.
- 3/ Clear Anodized Aluminum top / 1/4" plate with 5/8" supports / extends warranty
- 4/ Glass wind guard.

JOB / ORDER
Name or Number:

Signature & Date:

HEMI 36 NG & LP
ELECTRIC START
ADJUSTABLE FLAME

Fire is beautiful and also dangerous if not handled properly. Please have a qualified gas fitter setup and install this product according to local codes.


This product has been tested and certified by Labtest Certification Inc. as being safe, as long as these **minimum clearances** to adjacent materials are maintained.

FOR OUTDOOR USE ONLY

NORTH AMERICA SPECIFICATIONS

Gas type:	Natural Gas	Propane
Inlet press:	7.0" w.c.	11" w.c
Manifold press:	2.5" w.c.	4.5" w.c.
Heat Output:	73,500 BTU	73,500 BTU

Electrical: 120 Vac, 1.5A, 60Hz or 24Vac, 20VA

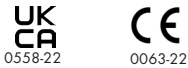
ANSI Z21.97-2014
CSA 2.17-2017 

UK & EUROPEAN SPECIFICATIONS

Gas type:	Natural Gas	Propane/But.
	G20	G31
Inlet press:	20mbar	37 mbar
Manifold press:	16.3 mbar	30 mbar
Heat Output:	19.6 kW	19.5 kW

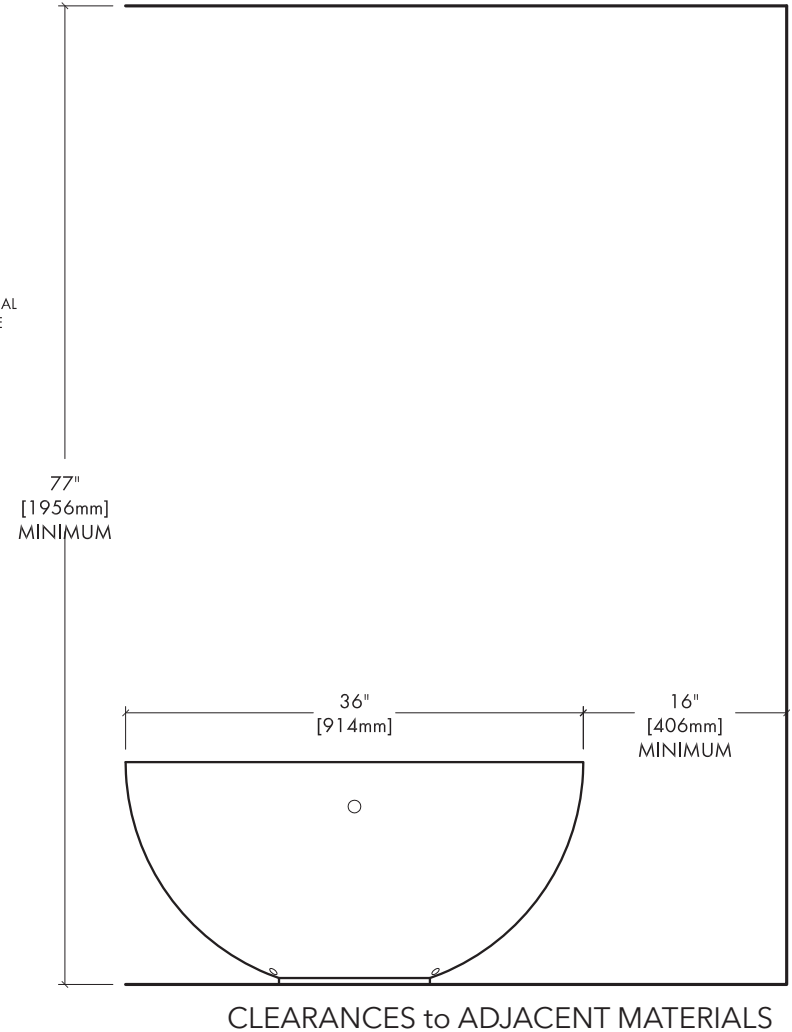
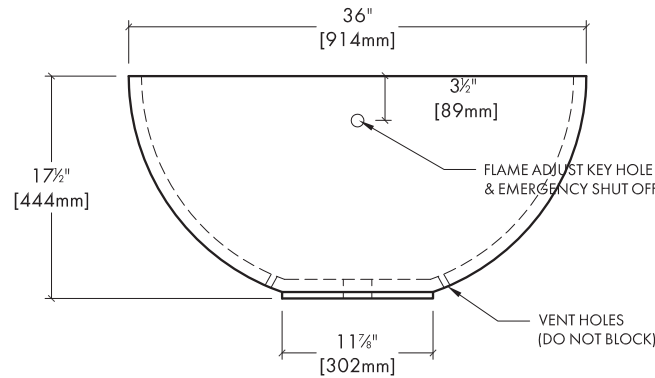
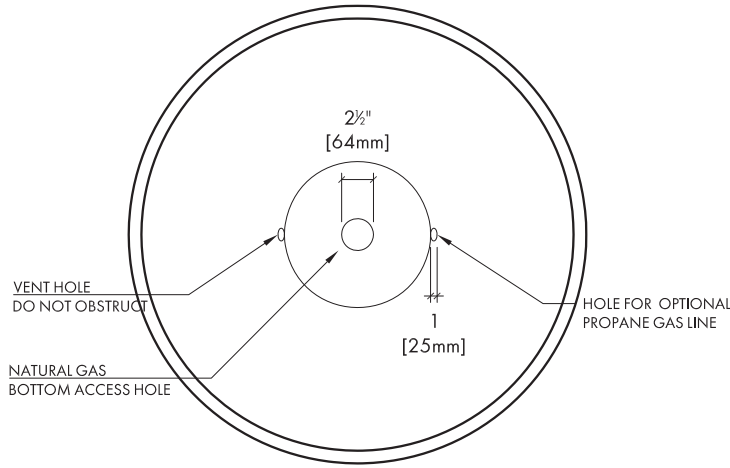
Electrical: 240 Vac, 50Hz

BS EN 509:2001+ A1:2003 + A2:2004
BS EN 489:2012



CONCRETE SPECS

Strength: 10,000 psi (proprietary)
Weight: 156 lbs / 71 kg



NOTE:

The site Electrician must provide a switched electrical line to the firepit location.
SEE: *Electronic Ignition Set up Schematic.*

ACCESSORIES

- 1/ All Weather Fabric Cover /extends warranty.
- 2/ Hardwood Table Top / Sustainable harvest unfinished red Batu wood.
- 3/ Clear Anodized Aluminum top / 1/4" plate with 5/8" supports / extends warranty
- 4/ Glass wind guard.

JOB / ORDER
Name or Number:

Signature & Date:

HEMI 36 HIGH OUTPUT NG & LP
ELECTRIC START
ADJUSTABLE FLAME

Fire is beautiful and also dangerous if not handled properly. Please have a qualified gas fitter setup and install this product according to local codes.

This product has been tested and certified by Labtest Certification Inc. as being safe, as long as these minimum clearances to adjacent materials are maintained.

FOR OUTDOOR USE ONLY

NORTH AMERICA SPECIFICATIONS

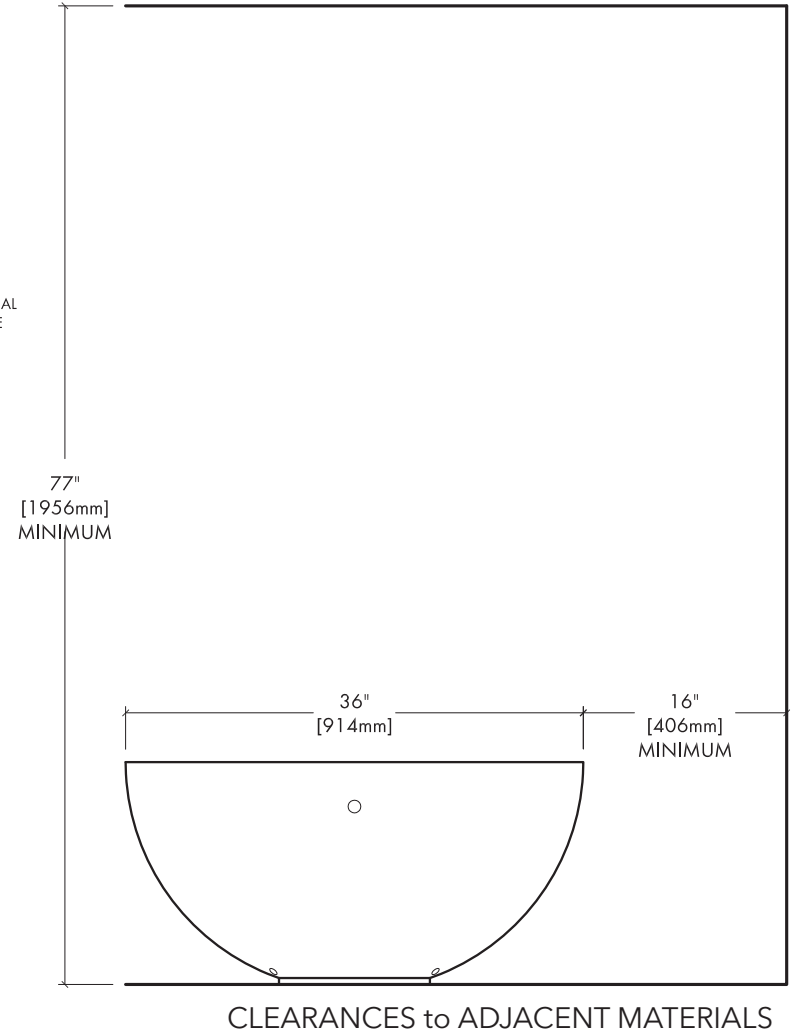
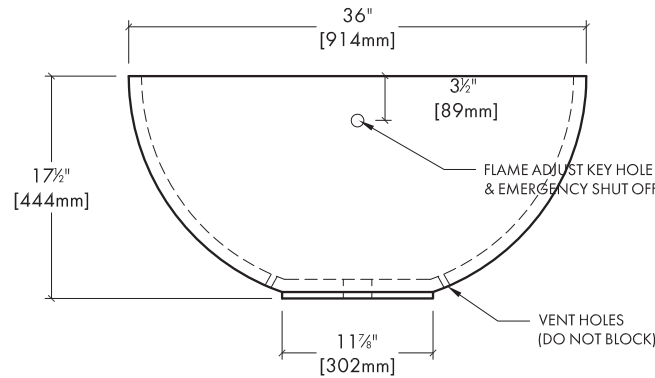
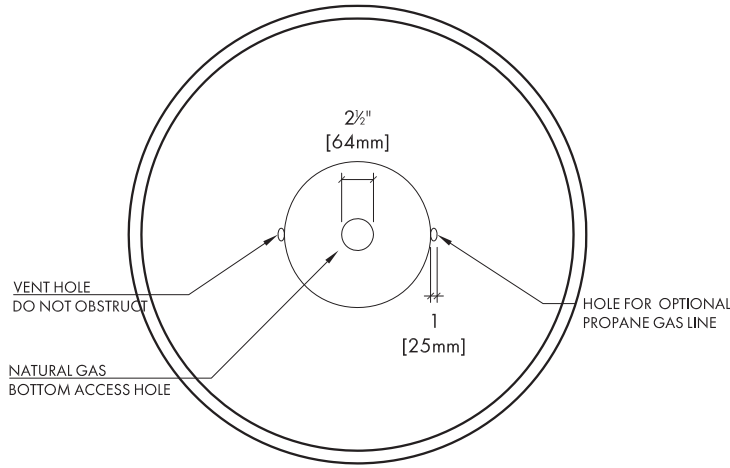
Gas type:	Natural Gas	Propane
Inlet press:	7.0" w.c.	11" w.c.
Manifold press:	2.5" w.c.	4.5" w.c.
Heat Output:	108,000 BTU	108,000 BTU

Electrical: 120 Vac, 1.5A, 60Hz or 24Vac, 20VA

ANSI Z21.97-2014
CSA 2.17-2017 

CONCRETE SPECS

Strength: 10,000 psi (proprietary)
Weight: 156 lbs / 71 kg



NOTE:
The site Electrician must provide a switched electrical line to the firepit location.
SEE: *Electronic Ignition Set up Schematic.*

ACCESSORIES

- 1/ All Weather Fabric Cover /extends warranty.
- 2/ Hardwood Table Top / Sustainable harvest unfinished red Batu wood.
- 3/ Clear Anodized Aluminum top / 1/4" plate with 5/8" supports / extends warranty
- 4/ Glass wind guard.

JOB / ORDER
Name or Number:

Signature & Date: