

SPECIFICATION SHEET



PART NAME: SINGLE ROCKER SWITCH

DESCRIPTION: Wall mounted rocker switch

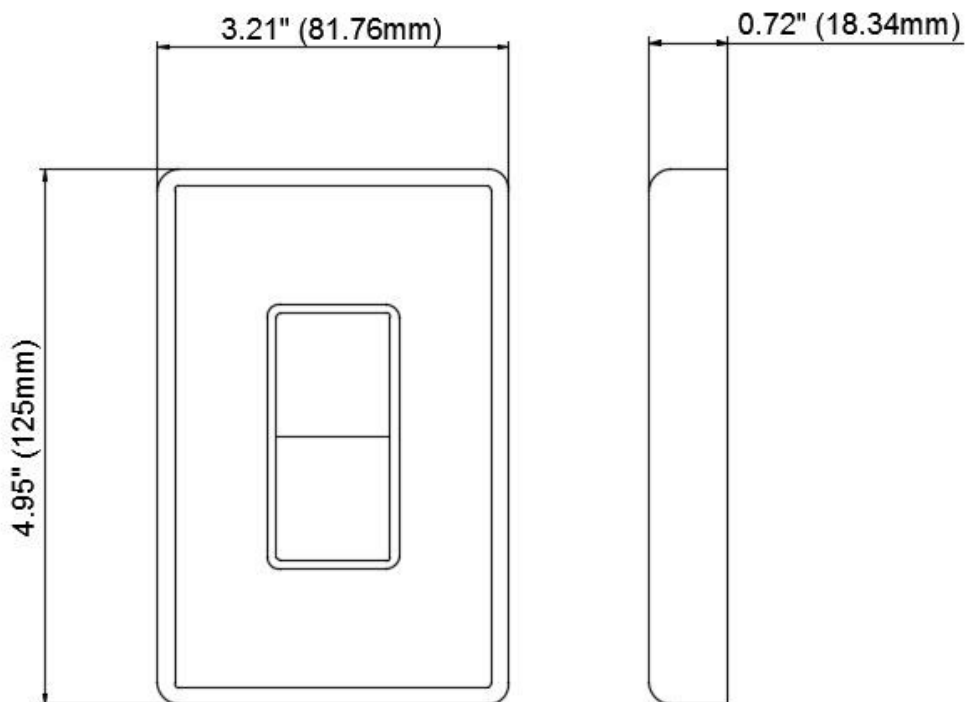
PART No: HUSA03

APPROVALS: FCC SZV-PTM210U (USA)
IC 5713A-PTM210U (Canada)

FEATURES: Can control one heater individually or one zone of multiple heaters
Wireless wall switch (no wires required down the wall)
Batteryless
Detachable face plate
Fits inside standard double junction box

Note: See the Product Manual for more detail

NOTE: To be used with RELAY HUSA05



Heatstrip USA LLC.

1-877-222-0063 (Toll Free)

www.heatstripusa.com

info@heatstripusa.com

4275 Executive Square

#200

La Jolla, CA, 92037

616 Corporate Way,

Suite 2-5771,

Valley Cottage, NY 10989

**HEATSTRIP**
USA

SPECIFICATION SHEET



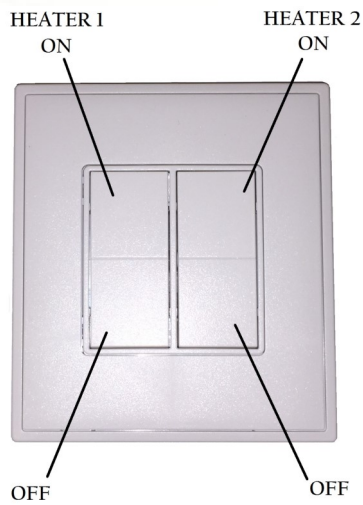
PART NAME: DOUBLE ROCKER SWITCH

DESCRIPTION: Wall mounted rocker switch

PART No: HUSA04

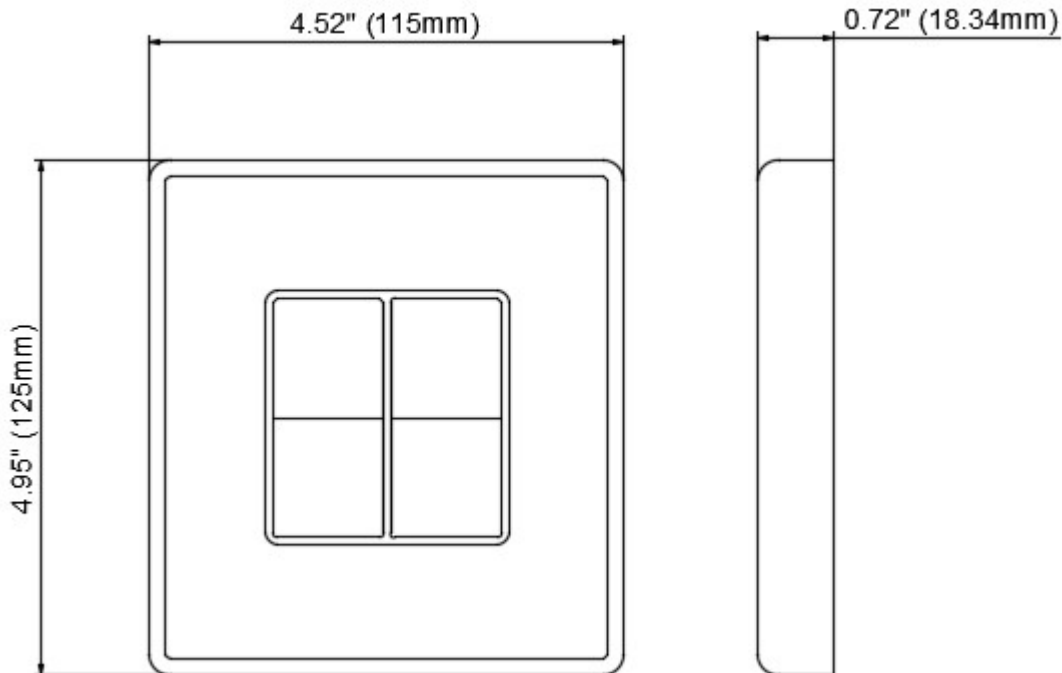
APPROVALS: FCC SZV-PTM210U (USA)
IC 5713A-PTM210U (Canada)

FEATURES: Can control two heaters individually or two sets of heaters (zone heating)
Wireless wall switch (no wires required down the wall)
Batteryless
Detachable face plate
Fits inside standard double junction box



Note: See the Product Manual for more detail

NOTE: To be used with RELAY HUSA05



Heatstrip USA LLC.

1-877-222-0063 (Toll Free)

www.heatstripusa.com

info@heatstripusa.com

4275 Executive Square

#200

La Jolla, CA, 92037

616 Corporate Way,

Suite 2-5771,

Valley Cottage, NY 10989

