

ROCKER & RELAY CONTROLS

HUSA03	Single Wall Switch
HUSA04	Double Wall Switch
HUSA05	Relay
HUSA06	Remote Control

INSTRUCTION MANUAL



HUSA03
SINGLE WALL SWITCH



HUSA04
DOUBLE WALL SWITCH



HUSA05
RELAY



HUSA06
REMOTE CONTROL

- One RELAY per heater, maximum 20 amps
- Rated for 120 & 208 & 240 volts applications
- DIMMER SWITCH (HUSA07) is NOT COMPATIBLE
- Wall switches are wireless
- Zone heating: control multiple heaters with one switch



ROCKER & RELAYS CONTROLS

REV F JAN20

INTRODUCTION

To turn the heater ON and OFF, the Rocker and Relay control system uses the Wall mounted Rocker switches (like your light switches) and a relay connected to the heater.

The many advantages of using the rocker switches and relays are as follows.

- Multiple switches can control one heater
- One switch can control multiple heaters
- Convenient easy to use hand held remote control
- Wall Switch can be wall mounted, held remotely or junction box mounted
- Wireless, battery-less wall switch, uses patented kinetic energy technology
- Auto Timer OFF function included in Relay for 30, 60 or 120 minutes.
- Range of 80 feet for Remote Control and Switches
- Suitable for all heaters 120v, 208v and 240v
- The system is expandable and additional components can be added as required

When specifying the controllers, ensure there is one Relay for every heater.

All products are FCC approved for North America.

All components need to be protected from the elements.

ZONE HEATING

Zone heating is an effective way to control the heat in a larger space by only heating the area you need. Save energy and money by only heating the area above where the people are. It is not necessary to heat the whole area.

An example is if you have an area with 8 heaters, separate the area into 4 zones of 2 heaters each. For this system use 2 Double Rocker Wall Switches and 8 Relays (1 per heater). Each switch will control 2 heaters. Then only turn ON one switch with two heaters, above where the people are located.

SAFETY

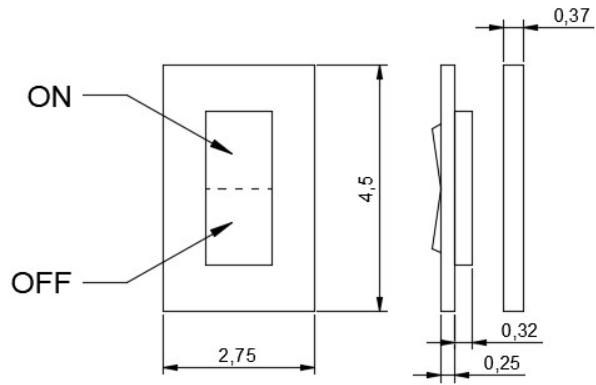
Must be installed by a licensed installer. Ensure all installation work complies to local building codes.

Diagrams are indicative and must be installed with required isolators, RCDs, fuses, or circuit breakers.

To be installed in conjunction with Product Manual (included in the product box)

INSTALLATION

- Straighten antenna out and away from metal.
- Create separation distance away from interfering electronics such as motors, fans or other electronic devices.
- Obstructions such as beams, walls and dense building materials will reduce the range of the Rocker Switches and Remote Control.
- Test range of Rocker Switch before affixing to wall.



SINGLE ROCKER WALL SWITCH

PART No: **HUSA03**

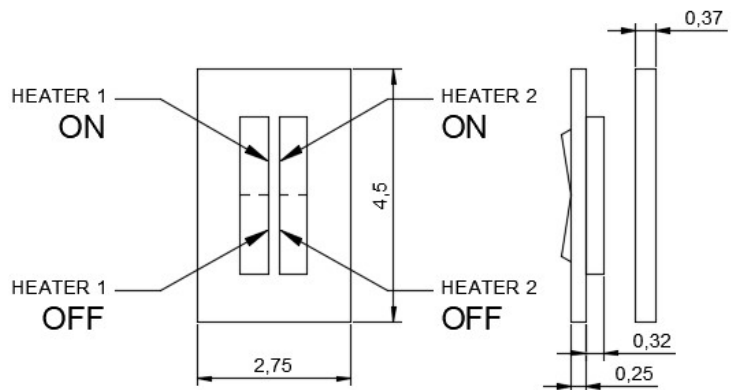
For controlling one heater or one zone of heaters.

Can be mounted 3 ways, flush in a standard gang box, on a wall like a normal switch or loose as a hand held remote control.

Range up to 80 feet (unobstructed).

The switch is wireless and batteryless. There is no need to run wiring down the wall.

Every time the switch is pressed a micro-generator produces a small electrical current, this then produces an electrical signal that is sent to the relay. This signal tells the relay to turn the heater ON or OFF.

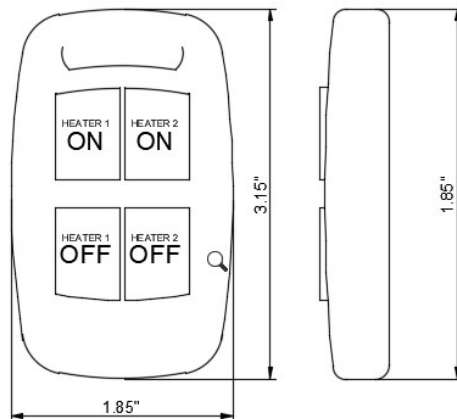


DOUBLE ROCKER WALL SWITCH

PART No: **HUSA04**

See above HUSA03 for details.

The double rocker wall switch has two channels and can control 2 heaters or 2 zones of heaters.

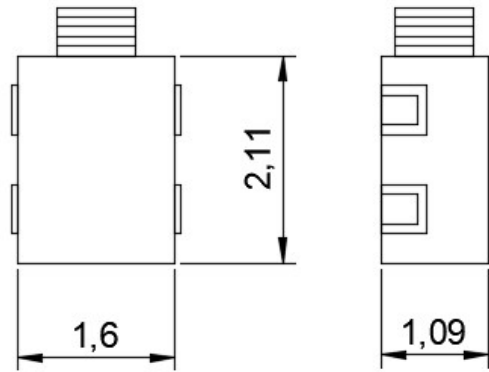


REMOTE CONTROL

PART No: **HUSA06**

Hand held remote control.

Same functions as the Double Rocker Wall Switch



RELAY

PART No: **HUSA05**

Suitable for 120, 208 and 240 volts.
Maximum current is 20 amps.
One relay is needed per heater.

The relay is continuously ON. However the relay has an Auto-Off feature that can be programmed to turn the heaters OFF after 30, 60 minutes or 2 hours.

The relay is hardwired to the heater and is usually mounted up in the ceiling or the wall. It needs to be accessible for occasional use. It can be mounted in a plastic enclosure for weather protection, however also to receive the signal from the switch.

Do NOT mount into the heater gangbox.

FCC ID: SZV-STM300U
UL 60730 (safety)
UL 2043 (plenum)
Storage temperature: - 4°F to 176°F
RF Communication: 902 MHz EnOcean® Protocol

LINKING RELAY TO SWITCHES & REMOTE CONTROL

OPERATION

When the relay light is solid GREEN, the heater is ON
When the relay light is solid RED, the heater is OFF

LINKING RELAY TO ROCKER SWITCH and REMOTE CONTROL

Make sure the rocker switch or remote control are within 16' of the relay. The relays have a reduced range during linking sequence.

1. Light is RED solid, heater is OFF.
2. Hold the Menu button for 5 seconds. Light blinks RED
3. Press the ON button of the switch 3 times quickly. Light stays GREEN for 3 seconds. Switch is now linked to the relay.
4. Light then blinks RED.
5. Wait 30 seconds to exit Linking. Light will turn RED solid

TURN THE HEATER ON AND OFF USING THE RELAY

Light is RED solid, heater is OFF.
Press the Select button, Light will turn GREEN solid, heater will be ON, it will take 10 minutes for the heater to reach full temperature.
Press the Select button, Light will turn RED solid, heater will be OFF.

AUTO-OFF FUNCTION

The Relay is able to program the heater to turn OFF after a certain amount of time. To activate the timer, follow the steps below. The factory setting is continuously ON.

1. Light is RED solid, heater is OFF.
2. Hold the Menu button for 15 seconds. Light blinks AMBER.
3. Press the Select button for the number of minutes you want the heater to turn OFF.

PRESS SELECT BUTTON	AUTO OFF TIMER (MINUTES)	AMBER LIGHT BLINKS
1	ON ALWAYS	1
2	30	2
3	60	3
4	120	4

4. The light will blink AMBER quickly corresponding to the timing setting.
5. Wait 30 seconds to exit Linking. Light will turn RED solid

INSTALLATION

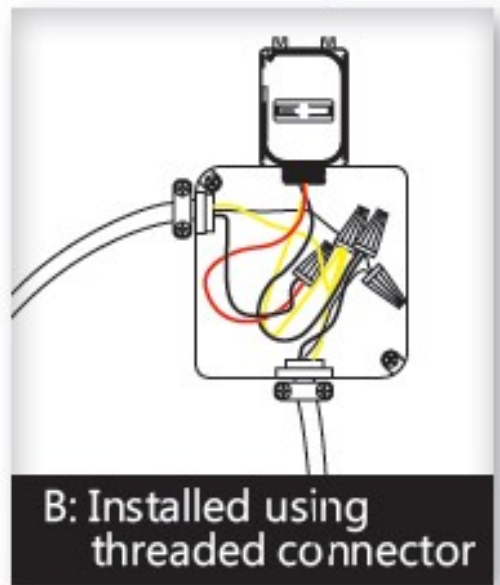
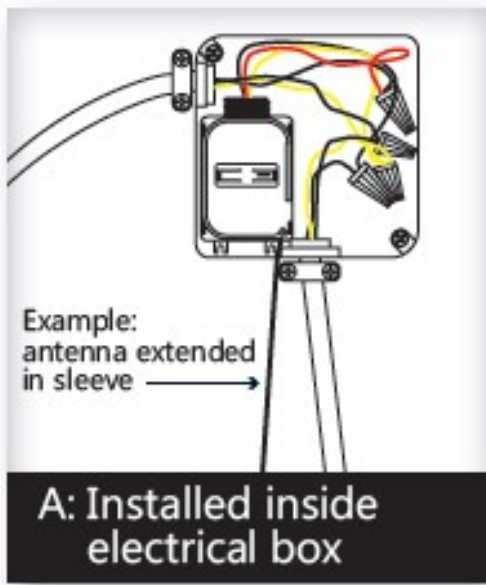
Can be mounted inside a standard junction box, Attached using a standard knockout and thread connector with nut (included).

The Relay is to be mounted indoors only and protected from the environment.

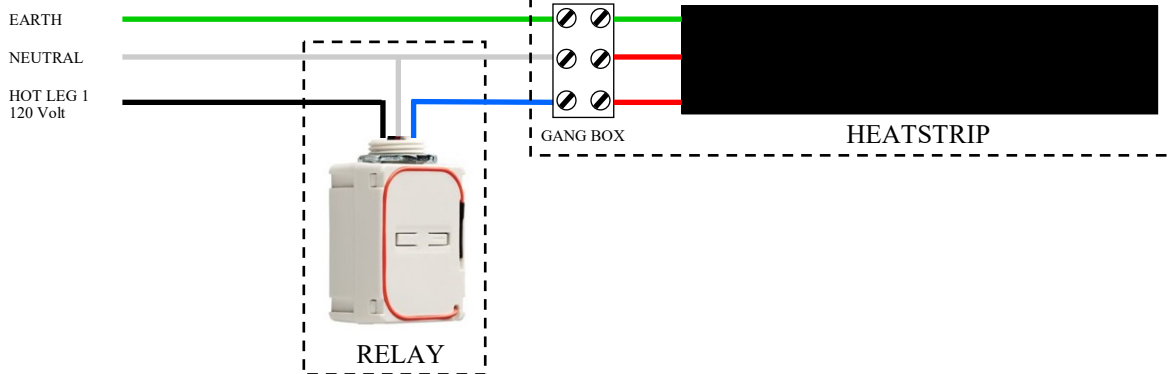
Use a non-metal electrical enclosure for best RF transmission.

Install in a suitable location taking care with interference through walls and other obstacles.

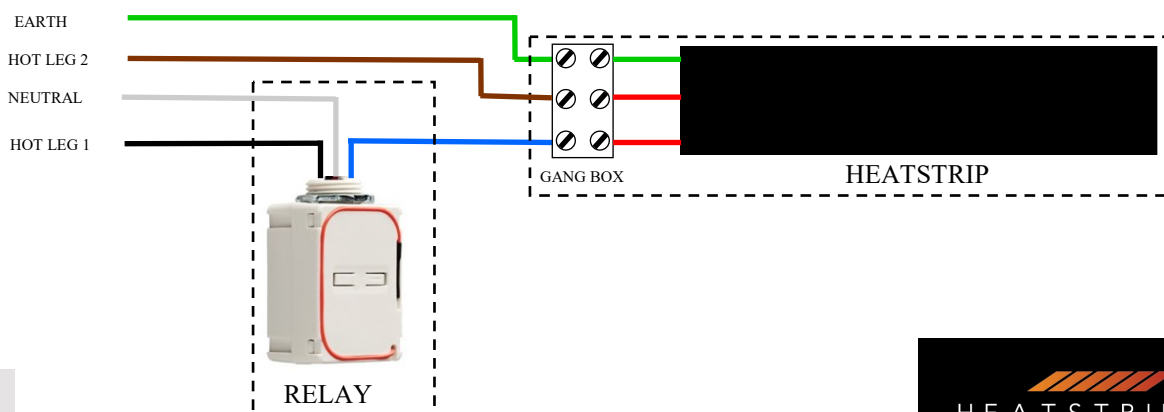
When the relay is first installed, the relay will go through a start up sequence., this will take a few seconds, then it will be ready for programming.



120 Volt connection



208 & 240 Volt connection



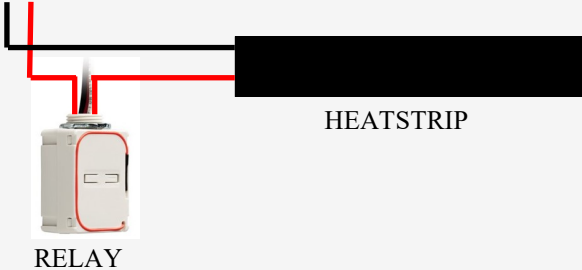
WIRING MULTIPLE HEATERS TO ONE SWITCH

A single rocker switch can control multiple relays. This can be used for zoned heating. Where a larger area can be separated into smaller heated areas.

SINGLE ROCKER WALL SWITCH & 1 HEATER



SINGLE WALL SWITCH



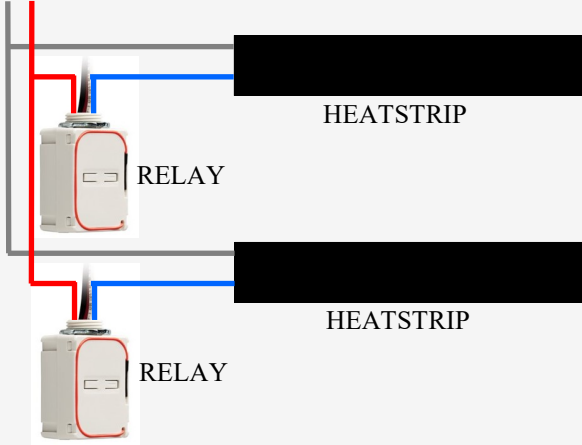
RELAY

HEATSTRIP

DOUBLE ROCKER WALL SWITCH & 2 HEATERS



DOUBLE ROCKER WALL SWITCH



RELAY

HEATSTRIP

RELAY

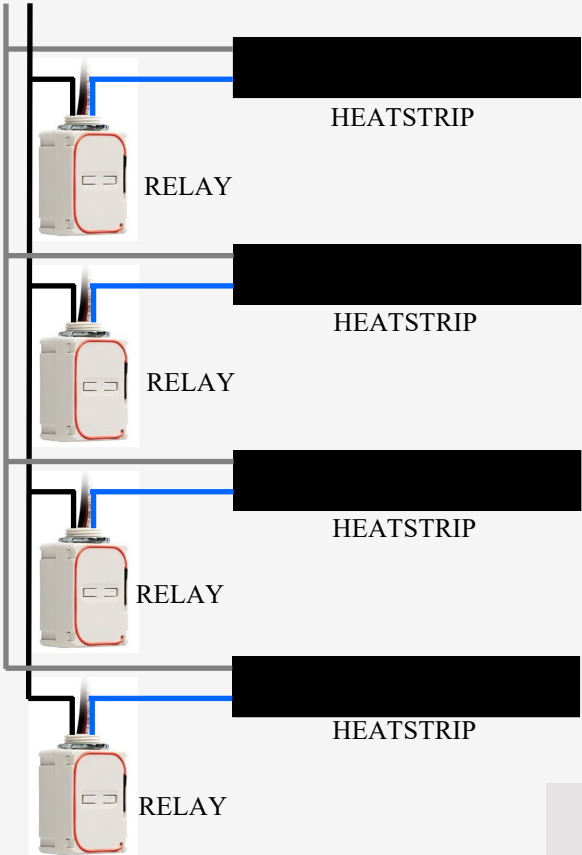
HEATSTRIP

ZONE HEAT

SINGLE ROCKER WALL SWITCH & 4 HEATERS



SINGLE ROCKER WALL SWITCH



RELAY

HEATSTRIP

RELAY

HEATSTRIP

RELAY

HEATSTRIP

RELAY

HEATSTRIP



Warranty Terms & Conditions

The below Warranty Terms and Conditions apply for **North American Customers**.

Heatstrip USA warrants to the original owner that HEATSTRIP® Controller products will be free from defects in materials and workmanship for a period of 12 months from the date of purchase in accordance with the following warranty terms and conditions.

Provision of this warranty is subject to:

- The HEATSTRIP® Controller products must be installed in accordance with the Installation Instructions and relevant electrical standards and codes.
- There is no warranty expressed or implied with regard to capacity requirements. The selection of the unit or units depends entirely upon the system design and capacities as determined by the purchaser.
- The customer has not repaired, opened or altered the product in any unauthorised manner.
- This warranty excludes damage to the product or components arising from circumstances outside the control of Heatstrip USA, including, but not limited to, where the product is not used for intended purpose; where the product has been rectified in any way; incorrect installation; incorrect power supply; damaged caused during delivery; misapplication, misuse, abuse, vandalism, lack of maintenance or accident.
- Heatstrip USA's obligations under this warranty are limited to repair or replacement at Heatstrip USA factory of any components of the product which Heatstrip USA identifies to its satisfaction to be defective.
- Transportation charges involved in return of the product to the Heatstrip USA factory (or any other location authorised in writing by Heatstrip USA) is the sole responsibility of the customer.
- All products are inspected and tested before despatch and are at the risk of the purchaser after the shipment from the Heatstrip USA factory, if not delivered by Heatstrip USA to destination.
- No products or components will be supplied in advance of an examination of the faulty product or components by Heatstrip USA or an authorized representative of Heatstrip USA.
- Heatstrip USA does not participate in any site related costs or labour expenses incidental to replacement of parts, repairing, removing, installing, servicing, transportation or handling of parts to complete products, and assumes no liability on parts repaired or replaced without written authorisation. Heatstrip USA shall not be liable for any default or delay in performance of its warranty obligations caused by any circumstances beyond its control, including, but not limited to, judicial or government restrictions, strikes, fires, floods, abnormal weather conditions, delayed supply of components.

Should products be determined as damaged on arrival, immediately notify the transport company of the condition and have them noted on the freight documents. If damage is discovered after unpacking, demand immediate inspection by the transportation company and insist that a record of the damage is made on the freight documentation.

The customer warrants using the product in accordance with:

- Any instructions provided to it by Heatstrip USA from time to time.
- All government and local regulations, including but not limited to all relevant electrical, environmental laws and regulations governing the installation, storage, use, handling and maintenance of the goods.
- All necessary and appropriate precautions and safety measures relating to the installation, storage, use, handling and maintenance of goods.

All warranty requests for repairs or replacements must be accompanied by a complete "Warranty Claim Form" available from Heatstrip USA, together with proof of purchase (and where possible, photos of the installation) and the heater returned to the place of purchase.

In the event of a warranty claim, the goods need to be returned to the distributor/retailer for repair/replacement.

DISTRIBUTOR

Heatstrip USA

4275 Executive Square #200
La Jolla, CA 92037 USA
www.heatstripusa.com
info@heatstripusa.com
1-877-222-0063

MANUFACTURER

Illumra

115 South State Street, Suite B
Lindon, UT 84042, USA