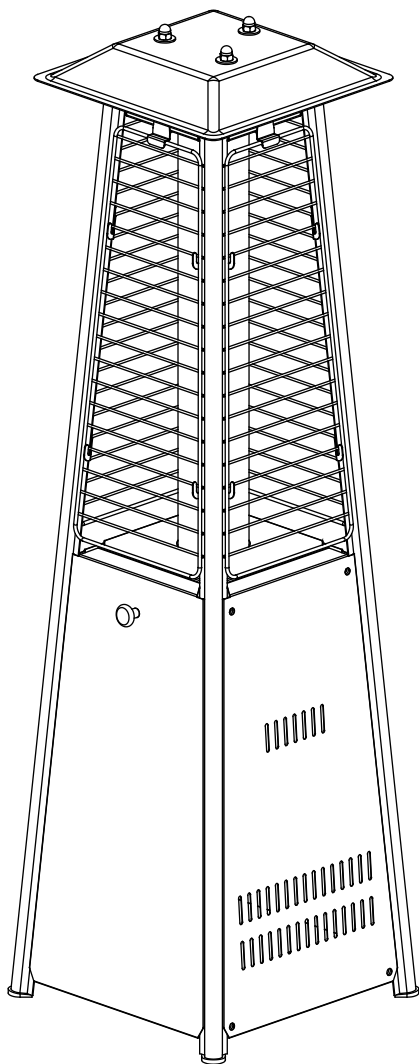


Owner's Manual

Small Glass Tube Patio Heater

ITM./ART.966697

MODEL #HLDS032-GTTSS



! DANGER

If you smell gas:

1. Shut off gas to the appliance.
2. Extinguish any open flame.
3. If odor continues, keep away from the appliance and immediately call you gas supplier or fire department.

! WARNING

WARNING indicates an imminently hazardous situation which, if not avoided, will result in death or serious injury.

! WARNING

Do not store or use gasoline or other flammable vapors and liquids in the vicinity of this or any other appliance. An LP-cylinder not connected for use shall not be stored in the vicinity of this or any other appliance.

! WARNING: For Outdoor Use Only

! WARNING

Improper installation, adjustment, alteration, service or maintenance can cause property damage, injury or death. Read the installation, operation and maintenance instructions thoroughly before installing or servicing this equipment.

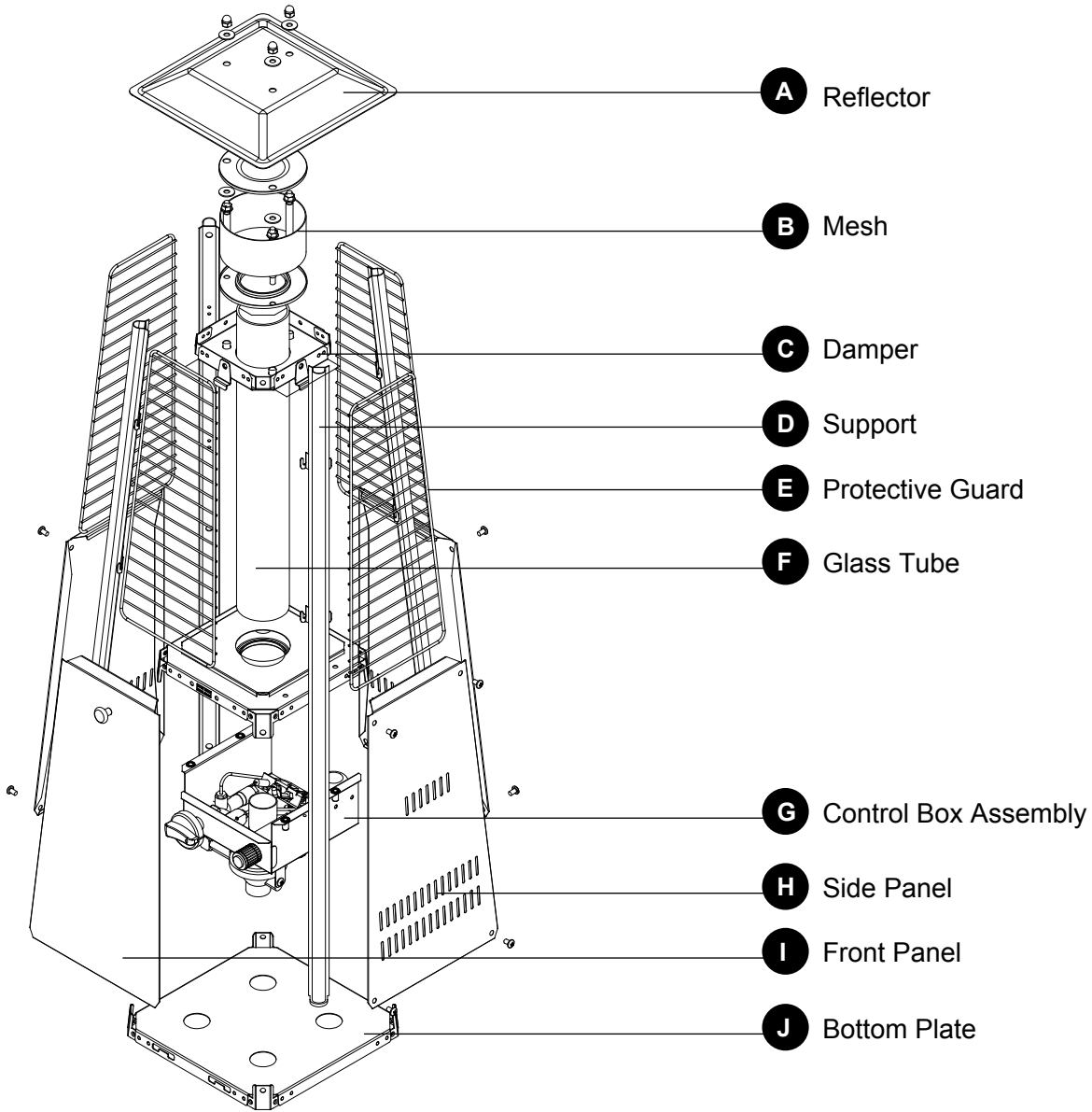


IMPORTANT: RETAIN FOR FUTURE REFERENCE: READ CAREFULLY

Questions, problems, missing parts? Before returning to your retailer, call: 1-800-463-3783, 6 AM - 6 PM PST Monday - Friday, 8 AM - 2 PM PST Saturday, email warranty@azpatioheaters.com or visit www.azpatioheaters.com

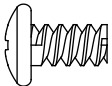
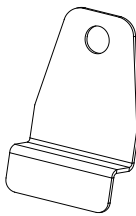
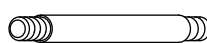
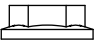
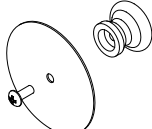
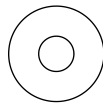
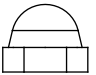
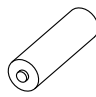
ANS Z83.26-2007/CSA 2.37-2007 Gas-Fired Outdoor Infrared Patio Heaters
ANS Z83.26a-2008/CSA 2.37a-2008 Gas-Fired Outdoor Infrared Patio Heaters

PARTS



PART	DESCRIPTION	QUANTITY
A	Reflector	1
B	Mesh	1
C	Damper	1
D	Support	4
E	Protective Guard	4
F	Glass Tube	1
G	Control Box Assembly	1
H	Side Panel	3
I	Front Panel	1
J	Bottom Plate	1

HARDWARE CONTENTS (shown actual size)

AA		Screw M5 X 8 Qty. 38	BB		Fixing Bracket Qty. 4	CC		Stud Qty. 3
DD		M6 Flange Nut Qty. 3	EE		Knob Qty. 1	FF		Small Flat Washer Φ6 Qty. 6
GG		Cap Nut M6 Qty. 3	II		AA Battery Qty. 1			

SAFETY INFORMATION

Please read and understand this entire manual before attempting to assemble, operate or install the product.

This manual contains important information about the assembly, operation and maintenance of this patio heater. General safety information is presented in these first few pages and is also located throughout the manual. Keep this manual for future reference and to educate new users of this product. This manual should be read in conjunction with the labeling on the product. Safety precautions are essential when any mechanical or propane fueled equipment is involved. These precautions are necessary when using, storing, and servicing. Using this equipment with the respect and caution demanded will reduce the possibilities of personal injury or property damage. The following symbols shown below are used extensively throughout this manual. Always heed these precautions, as they are essential when using any mechanical or fueled equipment.

DANGER

DANGER indicates an imminently hazardous situation which, if not avoided, will result in death or serious injury.

DANGER

Failure to comply with the precautions and instructions provided with this heater can result in death, serious bodily injury and property loss or damage from hazards of fire, explosion, burn, asphyxiation, and/or carbon monoxide poisoning. Only persons who can understand and follow the instructions should use or service this heater.

DANGER

FOR YOUR SAFETY

If you smell gas:

1. Shut off gas to the appliance.
2. Extinguish any open flame.
3. If odor continues, keep away from the appliance and immediately call you gas supplier or fire department.

SAFETY INFORMATION

DANGER

- EXPLOSION - FIRE HAZARD
- Keep solid combustibles, such as building materials, paper or cardboard, a safe distance away from the heater as recommended by the instructions.
- Provide adequate clearances around air openings into the combustion chamber.
- Never use the heater in spaces which do or may contain volatile or airborne combustibles, or products such as gasoline, solvents, paint thinner, dust particles or unknown chemicals.
- During operation, this product can be a source of ignition. Keep heater area clear and free from combustible materials, gasoline, paint thinner, cleaning solvents and other flammable vapors and liquids. Do not use heater in areas with high dust content. Minimum heater clearances from combustible materials: 3 ft / 91 cm from the sides and 2 ft / 61 cm from the top.

DANGER

- EXPLOSION - FIRE HAZARD
- Never store propane near high heat, open flames, pilot lights, direct sunlight, other ignition sources or where temperatures exceed 120 °F / 49 °C.
- Propane vapors are heavier than air and can accumulate in low places. If you smell gas, leave the area immediately.
- Never install or remove propane cylinder while heater is lighted, near flame, pilot lights, other ignition sources or while heater is hot to touch.
- This heater is red hot during use and can ignite flammables too close to the burner. Keep flammables at least 3 ft / 91 cm from the sides and 2 ft / 61 cm from the top. Keep gasoline and other flammable liquids and vapors well away from heater.
- Store the propane cylinder outdoors in a well ventilated space out of reach of children. Never store the propane cylinder in an enclosed area (house, garage, etc.). If heater is to be stored indoors, disconnect the propane cylinder for outdoor storage.

WARNING

We cannot foresee every use which may be made of our heaters. Check with your local fire safety authority if you have questions about heater use. Other standards govern the use of fuel gases and heat producing products for specific uses. Your local authorities can advise you about these. If no local codes exist, follow National Fuel Gas Code, ANS Z223.1. In Canada, installation must conform to local codes. If no local codes exist, follow the current National standards of CANADA CAN/CGA-B 149.2.

DANGER

- CARBON MONOXIDE HAZARD
- This heater is a combustion appliance. All combustion appliances produce carbon monoxide (CO) during the combustion process. This product is designed to produce extremely minute, non-hazardous amounts of CO if used and maintained in accordance with all warnings and instructions. Do not block air flow into or out of the heater.
- Carbon Monoxide (CO) poisoning produces flu-like symptoms, watery eyes, headaches, dizziness, fatigue and possibly death. You can't see it and you can't smell it. It's an invisible killer. If these symptoms are present during operation of this product get fresh air immediately!
- For outdoor use only.
- Never use inside house, or other unventilated or enclosed areas.
- This heater consumes air (oxygen). Do not use in unventilated or enclosed areas to avoid endangering your life.

WARNING

WARNING indicates an imminently hazardous situation which, if not avoided, will result in death or serious injury.

WARNING

Do not store or use gasoline or other flammable vapors and liquids in the vicinity of this or any other appliance. An LP-cylinder not connected for use shall not be stored in the vicinity of this or any other appliance.

WARNING: For Outdoor Use Only

DANGER



CARBON MONOXIDE HAZARD
This appliance can produce carbon monoxide which has no odor. Using it in an enclosed space can kill you. Never use this appliance in an enclosed space such as a camper, tent or home.

WARNING

Improper installation, adjustment, alteration, service or maintenance can cause property damage, injury or death. Read the installation, operation and maintenance instructions thoroughly before installing or servicing this equipment.

SAFETY INFORMATION

WARNING

California Proposition 65
Combustion by-products produced when using this product contain chemicals known to the State of California to cause cancer, birth defects, and other reproductive harm.

WARNING

BURN HAZARD

- Never leave heater unattended when hot or in use.
- Keep out of reach of children.

WARNING

Certain materials or items, when stored under the heater, will be subjected to radiant heat and could be seriously damaged.

CAUTION

SERVICE SAFETY

- Keep all connections and fittings clean. Make sure propane cylinder valve outlet is clean.
- During set up, check all connections and fittings for leaks using soapy water. Never use a flame.
- Use as a heating appliance only. Never alter in any way or use with any device.

CAUTION

CAUTION indicates an imminently hazardous situation which, if not avoided, may result in minor or moderate personal injury, or property damage.

WARNING

- This product is fueled by propane gas. Propane gas is invisible, odorless, and flammable. An odorant is normally added to help detect leaks and can be described as a “rotten egg” smell. The odorant can fade over time so leaking gas is not always detectable by smell alone.
- Propane gas is heavier than air and leaking propane will sink to the lowest level possible. It can ignite by ignition sources including matches, lighters, sparks or open flames of any kind many feet away from the original leak. Use only propane gas set up for vapor withdrawal.
- Store or use propane gas in compliance with local ordinances and codes or with ANS/NFPA 58. Turn off propane when not in use.

WARNING

- Alert children and adults to the hazards of high surface temperatures. Stay away from these surfaces to avoid burning skin or igniting clothing.
- Carefully supervise young children when in the vicinity of the heater.
- Do not hang clothing or any other flammable materials from the heater, or place on or near the heater.
- Replace any guard or protective device removed for servicing the appliance prior to placing back in service.
- Installation and repair should be done by a qualified service person. The heater should be inspected before use and annually by a qualified service person. More frequent cleaning may be required as necessary. It is imperative that the control compartment, burners, and circulating air passageway of the appliance be kept clean.

PREPARATION

Before beginning assembly of product, make sure all parts are present. Compare parts with package contents list and hardware contents above. If any part is missing or damaged, do not attempt to assemble the product. Contact customer service for replacement parts.

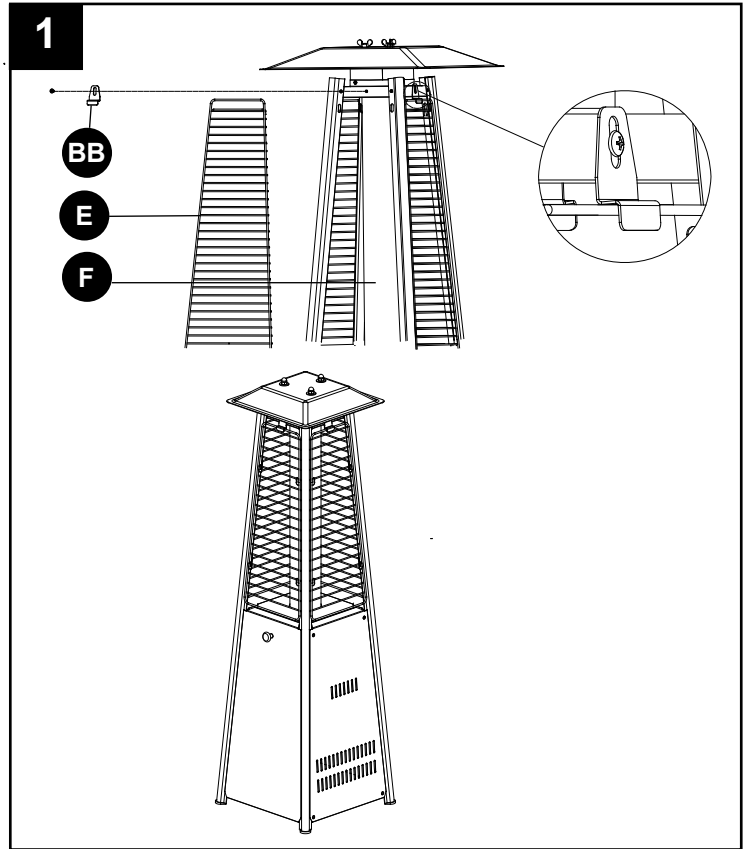
Estimated Assembly Time: 10 minutes

Tools Required for Assembly (not included):

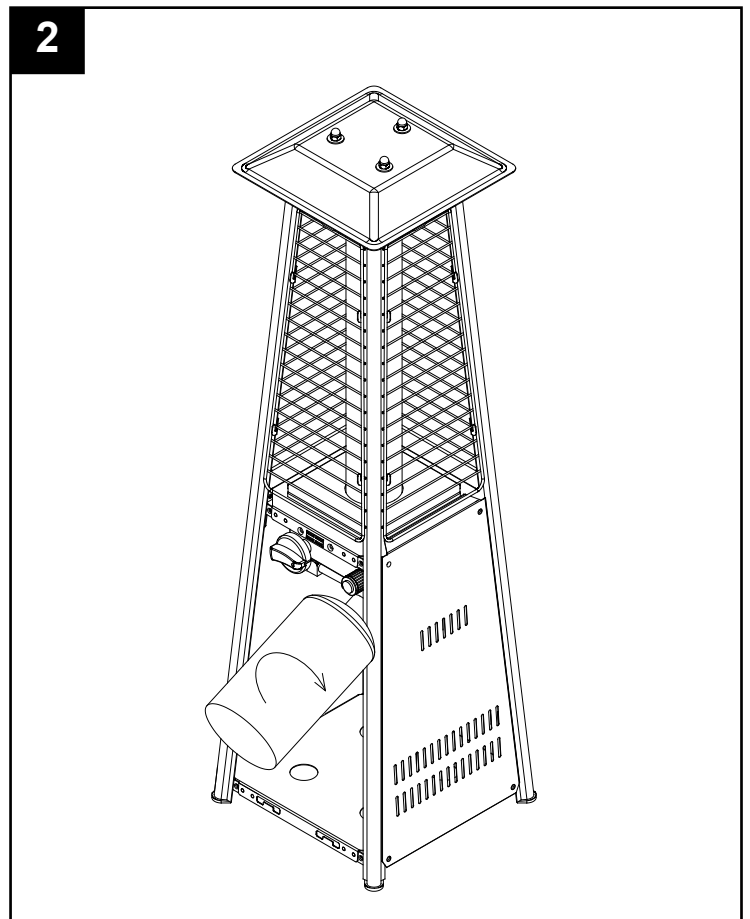
- Phillips screwdriver with medium blade.
- Leak Detection Solution.

ASSEMBLY INSTRUCTIONS

1. The heater is fully assembled at the factory. However, the foam protecting the Glass Tube (F) must be removed. To remove the foam, unscrew the Fixing Bracket (BB) and the Protective Guard (E). Remove the foam pieces. Replace the Protective Guard (E) and Fixing Bracket (BB). Ensure all packaging materials are removed.



2. Keep the front panel open. Rotate regulator toward opening in housing. Line up threads on gas cylinder with those on the regulator. Insert and rotate cylinder clockwise until tight.

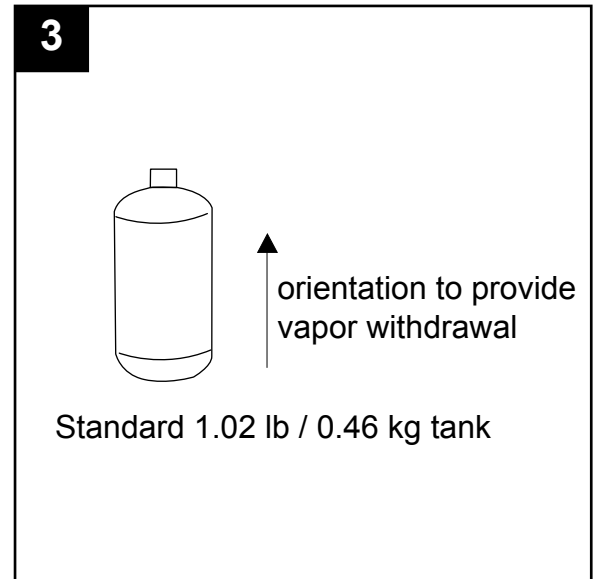


ASSEMBLY INSTRUCTIONS

3. Gas Tank Assembly

The propane gas and cylinder are sold separately;
Use a standard 1.02 lb / 0.46 kg propane cylinder only.

Store the appliance indoors only if the cylinder is disconnected and removed from the appliance.
A cylinder must be stored outdoors in a well-ventilated area out of the reach of children. A disconnected cylinder must have dust caps tightly installed and must not be stored in a building, garage or any other enclosed area.



Use the pressure regulator supplied with the appliance.

The installation must conform with local codes, or in the absence of local codes, with National Fuel Gas Code, ANS Z223.1/NFPA54, Natural Gas and Propane Installation Code, CSA B149.1, or Propane Storage and Handling Code, B149.2.

Certain materials or items, when stored under the heater, will be subjected to radiant heat and could be seriously damaged.

Use only a cylinder marked propane.

A dented, rusted or damaged propane cylinder may be hazardous and should be checked by your cylinder supplier. Never use a propane cylinder with a damaged valve connection.

The propane cylinder must be constructed and marked in accordance with the specifications for LP gas cylinders of the U.S. Department of Transportation (DOT), or the Standard for Cylinders, Spheres and Tubes for Transportation of Dangerous Goods and Commission, CAN/CSA-B339.

Includes a listed overfilling prevention device.

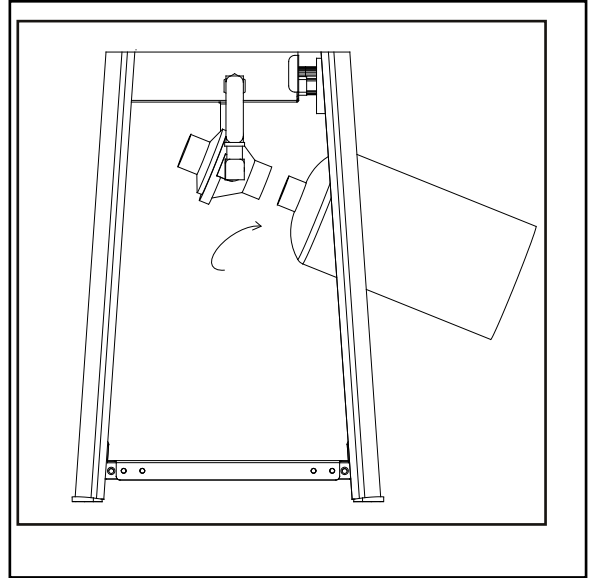
Includes a cylinder connection device compatible with the connection for the appliance.

The cylinder used must include a collar to protect the cylinder valve.

Never connect an unregulated propane cylinder to the heater.

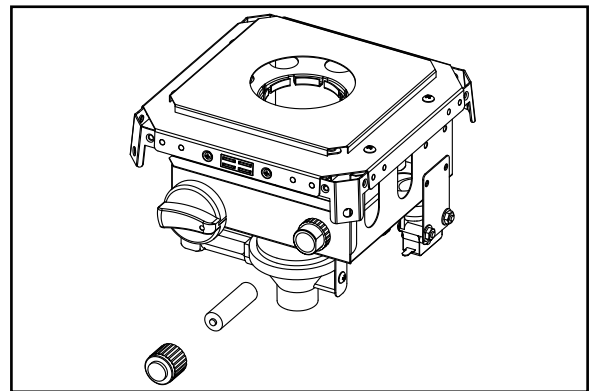
ASSEMBLY INSTRUCTIONS

Move the burner control knob to the off position. Fix the 1.02 lb / 0.46 kg. propane cylinder to the regulator (rotate the propane cylinder clockwise toward the regulator connecting until tight).



Unscrew the switch button, load small battery, tighten the switch button.

WARNING: This product contains small batteries. Swallowed small batteries can cause CHOKING HAZARD. Seek immediate medical attention if batteries are swallowed or inhaled. Keep children away from the small batteries.



Close the door plate.

Disconnect the cylinder when the appliance is not used.

Store the appliance indoors only if the cylinder is disconnected and removed from the appliance.

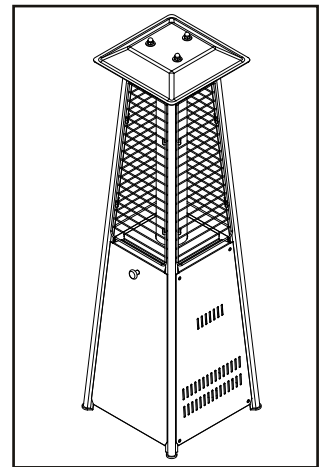
You may place the appliance in a shelter:

(a) With walls on all sides, but with no overhead cover.

(b) Within a partial enclosure which includes an overhead cover and no more than two side walls.

These side walls may be parallel, as in a breezeway, or at right angles to each other.

(c) Within a partial enclosure which includes an overhead cover and three side walls, as long as 30 percent or more of the horizontal periphery of the enclosure is permanently open.



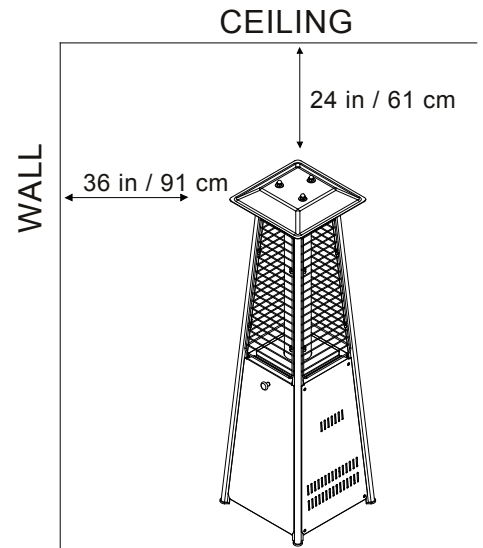
- Do not store a spare LP-gas cylinder under or near this appliance;
- Never fill the cylinder beyond 80 percent full;
- Place the dust cap on the cylinder valve outlet whenever the cylinder is not in use. Only install the type of dust cap on the cylinder valve that is provided with the cylinder valve. Other type of caps or plugs may result in leakage of propane.

Use a replacement pressure regulator specified by the appliance manufacturer. Use the pressure regulator and hose assembly supplied with the appliance.

OPERATION INSTRUCTIONS

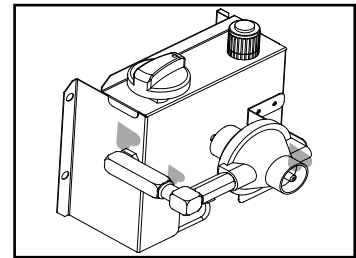
Portable Heater Location

1. This portable heater is intended for outdoor use only. Always ensure adequate fresh air ventilation.
2. Always maintain proper clearance to combustible materials: a minimum of 24 in / 61 cm from the top and 36 in / 91 cm from the sides
3. Place the heater on a strong and stable table.
4. Never operate the heater in an explosive atmosphere like in areas where gasoline or other flammable liquids or vapors are stored.



Testing for Leakage

Gas connections on this heater are leak tested at the factory prior to shipment. Possible mishandling of this appliance during shipping may impair product integrity. Perform a complete leakage test again at the installation site. Please follow the procedure below.



1. Make a soap solution of one part liquid detergent and one part water. The soap solution can be applied to hoses and connections with a spray bottle, brush or rag.
2. Make sure that the safety control valve is in the "OFF" position.
3. Turn the cylinder valve ON and check for soap bubbles forming on and around connections and hoses. If bubbles appear, there is a leak present.
4. If a leak is present, remove the gas cylinder immediately, tighten any leaking fittings, replace the gas cylinder, and recheck.

Procedure for Leakage Test

1. Periodically check the whole gas system for leaks.
2. Immediately check for leaks if an odor of gas is detected.
3. Extinguish all open flames during testing or when an odor of gas is detected.
4. Never smoke while performing the leak test.
5. If you cannot stop a leak, unscrew and remove the cylinder from the heater.
6. Check the heater with a full propane cylinder. DO NOT use the heater until you have performed a leak test on all the connections and verified that your unit does not leak.
7. Use only manufacturer recommended replacement parts. Substitution may void the warranty.

OPERATION INSTRUCTIONS

DANGER

- CARBON MONOXIDE HAZARD
- For outdoor use only. Never use inside house, or other unventilated or enclosed areas. This heater consumes air (oxygen). Do not use in unventilated or enclosed areas to avoid endangering your life.

Caution: Do not attempt to operate until you have read and understand all General Safety Information in this manual and all assembly is complete and leak checks have been performed.

Before Turning Gas Supply ON:

1. Your heater was designed and approved for outdoor use only. Do NOT use it inside a building, garage, or any other enclosed area.
2. Make sure surrounding areas are free of combustible materials, gasoline, and other flammable vapors or liquids.
3. Ensure that there is no obstruction to air ventilation. Be sure all gas connections are tight and there are no leaks.
4. Be sure the cylinder cover is clear of debris. Be sure any component removed during assembly or servicing is replaced and fastened prior to starting.

Before Lighting:

1. Heater should be thoroughly inspected before each use, and by a qualified service person at least annually. If relighting a hot heater, always wait at least 5 minutes.
2. Inspect the hose assembly for evidence of excessive abrasion, cuts, or wear. Suspected areas should be leak tested. If the hose leaks, it must be replaced prior to operation. Only use the replacement hose assembly specified by manufacturer.

Lighting:

Note: This heater is equipped with a pilot light that allows for safer startups and shutdowns. Pilot must be lit before main burner can be started.

1. Turn the control knob to the “OFF” position.
2. Fully open LP cylinder valve.
3. Push control knob in and rotate to pilot position (*Figure 1*).

Note: For initial start or after any cylinder change, hold control knob in for 2 minutes to purge air from gas lines before proceeding.

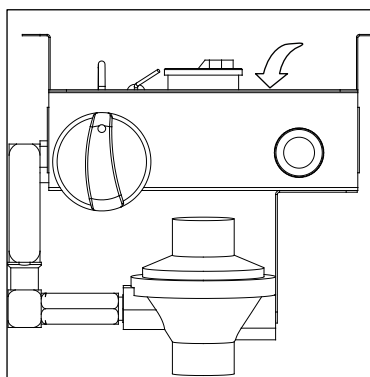


Figure 1

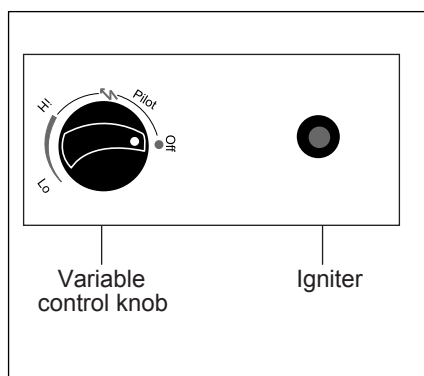


Figure 2

OPERATION INSTRUCTIONS

4. Push and release the igniter button until pilot flame is visible through the glass tube.
5. Once the pilot is lit, continue to depress the control knob for 30 seconds.
6. If the pilot does not stay lit, repeat steps 4 to 6.
7. If after repeating steps 4 to 6 unit does not light, then
 - Push in control knob and turn counterclockwise to "PILOT" (Figure 3).
 - As you are depressing the control knob, place long stem lighter through the glass tube to light the pilot (Figure 4).
 - Repeat step 6.

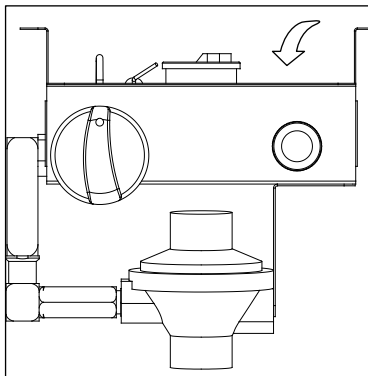
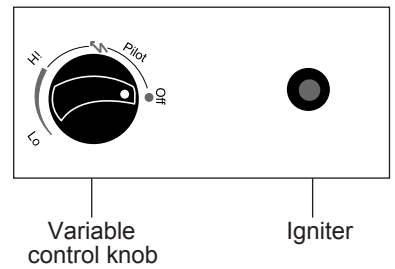


Figure 3

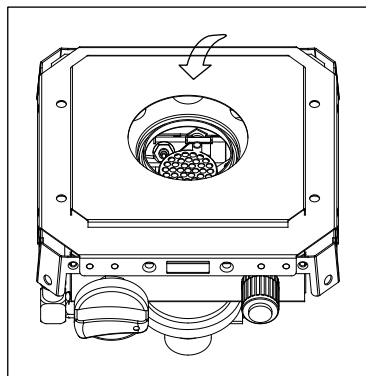


Figure 4

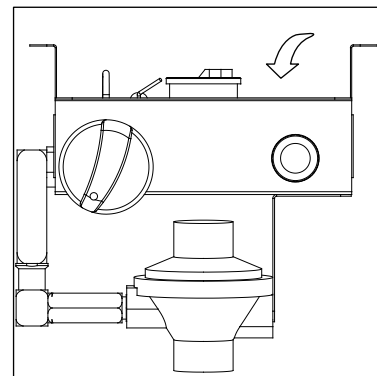


Figure 5

8. Push in and turn the control knob to the "HIGH," then release control knob. If you want a lower temperature, push in the control knob and turn counterclockwise to the "Lo" (Figure 5).

Note: If pilot fails to remain lit, all valves should be closed and a waiting period of at least 5 minutes should pass before attempting to light.

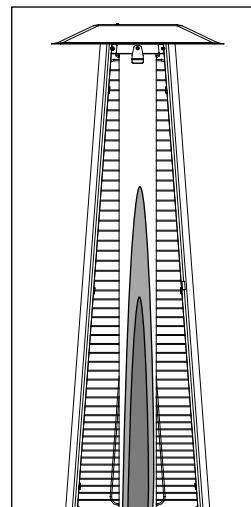
If you experience any ignition problem please consult "Troubleshooting" on page 15.

Caution: Avoid inhaling fumes emitted from the heater's first use. Smoke and odor from the burning of oils used in manufacturing will appear. Both smoke and odor will dissipate after approximately 30 minutes. The heater should NOT produce thick black smoke.

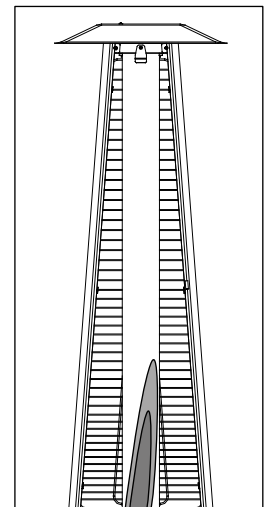
Note: The burner may be noisy when initially turned to an 'on' position. To eliminate excessive noise from the burner, turn the control knob to the PILOT position. Then, turn the knob to the level of heat desired.

Note:

Under normal conditions in the Hi position, the flame is 2/3 the height of the glass tube, and 1/3 the height when in the Lo position. An abnormal condition is indicated by the absence of a stable and bright flame and/or the presence of noise or black smoke. Please turn off the heater and consult "Troubleshooting" on page 15.



Normal



Abnormal

OPERATION INSTRUCTIONS

WARNING

FOR YOUR SAFETY

Be careful when attempting to manually ignite this heater. Holding in the control knob for more than 10 seconds before igniting the gas will cause a ball of flame upon ignition.

When heater is ON:

The flame should be blue with straight yellow tops. If excessive yellow flame is detected, turn off heater and consult “Troubleshooting” on page 15.

Re-lighting:

Note: For your safety, control knob cannot be turned OFF without first depressing control knob in PILOT position and then rotating it to OFF.

1. Turn control knob to OFF.
2. Wait at least 5 minutes, to let gas dissipate, before attempting to relight Pilot.
3. Repeat the “Lighting” steps on prior page.

WARNING

FOR YOUR SAFETY

Heater will be hot after use. Handle with extreme care.

Shut Down:

1. Turn control knob clockwise to PILOT. (Normally, burner will make a slight popping sound when extinguished.) Burner will extinguish but PILOT will remain ON.
2. To extinguish PILOT depress control knob and continue to turn it clockwise to OFF.
3. Turn cylinder valve clockwise to OFF and disconnect regulator when heater is not in use.

Note: After use, some discoloration of the emitter screen is normal.

Operation Checklist

For a safe and pleasurable heating experience, perform this check before each use.

Before Operating:

1. I am familiar with entire owner’s manual and understand all precautions noted.
2. All components are properly assembled, intact and operable.
3. No alterations have been made.
4. All gas connections are secure and do not leak.
5. Wind velocity is below 10 mph/16 kmh.
6. Unit will operate at reduced efficiency below 40 °F / 4.4 °C.
7. Heater is outdoors (outside any enclosure).
8. There is adequate fresh air ventilation.

OPERATION INSTRUCTIONS

9. Heater is away from gasoline or other flammable liquids or vapors.
10. Heater is away from windows, air intake openings, sprinklers and other water sources.
11. Heater is at least 24 in / 61 cm on top and at least 36 in / 91 cm on sides from combustible materials.
12. Heater is on a hard and level surface.
13. There are no signs of spider or insect nests.
14. All burner passages are clear.
15. All air circulation passages are clear.
16. *Children and adults should be alerted to the hazards of high surface temperatures and should stay away to avoid burns or clothing ignition.*
17. *Young children should be carefully supervised when they are in the area of the heater.*
18. *Clothing or other protective material should not be hung from the heater, or placed on or near the heater.*
19. *Any guard or other protective device removed for servicing the heater must be replaced prior to operating the heater.*
20. *Installation and repair should be done by a qualified service person. The heater should be inspected before use and at least annually by a qualified service person.*
21. *More frequent cleaning may be required as necessary. It is imperative that control compartment, burner and circulating air passageways of the heater be kept clean.*

After Operation

1. Gas control is in OFF position.
2. Gas Tank valve is OFF.
3. Disconnect Gas line.

CARE AND MAINTENANCE

WARNING

FOR YOUR SAFETY:

- Do NOT touch or move heater for at least 45 minutes after use.
- Reflector is hot to the touch.
- Allow reflector to cool before touching.

To enjoy years of outstanding performance from your heater, make sure you perform the following maintenance activities on a regular basis:

Keep exterior surfaces clean.

1. Use warm soapy water for cleaning. Never use flammable or corrosive cleaning agents.
2. While cleaning your unit, be sure to keep the area around the burner and pilot assembly dry at all times. Do not submerge the control valve assembly. If the gas control is submerged in water, do NOT use it. It must be replaced.
 - Keep the appliance area clear and free from combustible materials, gasoline and other flammable vapors and liquids.
 - Do not obstruct the flow of combustion and ventilation air.
 - Keep the ventilation opening(s) of the cylinder enclosure free and clear from debris.

3. Air flow must be unobstructed. Keep controls, burner, and circulating air passageways clean. Signs of possible blockage include:

CARE AND MAINTENANCE

- Gas odor with extreme yellow tipping of flame.
- Heater does NOT reach the desired temperature.
- Heater glow is excessively uneven.
- Heater makes popping noises.
- Spiders and insects can nest in burner or orifices. This dangerous condition can damage heater and render it unsafe for use. Clean burner holes by using a heavy-duty pipe cleaner. Compressed air may help clear away smaller particles.
- Carbon deposits may create a fire hazard. Disassemble the reflector, unscrew the reflector spacer, take off the screen, take down one side of protective guards. Then take the glass tube from the heater and wash and clear. After that, assemble the glass tube and the rest of parts.

Note: *In a salt-air environment (such as near an ocean), corrosion occurs more quickly than normal. Frequently check for corroded areas and repair them promptly.*

TIP:

Use high-quality automobile wax to help maintain the appearance of your heater. Apply to exterior surfaces from the pole down. Do not apply to emitter screen or domes.

Storage

Between uses:

- Turn Control Knob OFF.
- Disconnect LP cylinder.
- Store heater upright in an area sheltered from direct contact with inclement weather (such as rain, sleet, hail, snow, dust and debris).
- If desired, cover heater to protect exterior surfaces and to help prevent build-up in air passages.

Note: *Wait until heater is cool before covering.*

During periods of extended inactivity or when transporting:

- Turn Control Knob OFF.
- Disconnect LP cylinder and move to a secure, well-ventilated location outdoors.
- Store heater upright in an area sheltered from direct contact with inclement weather (such as rain, sleet, hail, snow, dust and debris).
- If desired, cover heater to protect exterior surfaces and to help prevent build-up in air passages.

Never leave LP cylinder exposed to direct sunlight or excessive heat.

Note: *Wait until heater is cool before covering.*

Service

Only a qualified service person should repair gas passages and associated components.

Caution: *Always allow heater to cool before attempting service.*

TROUBLESHOOTING

PROBLEM	POSSIBLE CAUSE	CORRECTIVE ACTION
Pilot won't light Note: Heater operates at reduced efficiency below 40°F (5°C)	Cylinder valve is closed	Open valve
	Blockage in orifice or pilot tube	Clean or replace orifice or pilot tube
	Air in gas line	Open gas line and bleed it (pressing control knob in) for not more than 1 - 2 minutes or until you smell gas
	Low gas pressure with cylinder valve fully open	Turn cylinder valve OFF and replace cylinder
	Igniter fails	Use match to light pilot; obtain new igniter and replace
Pilot won't stay lit	Dirt built up around pilot	Clean dirt from around pilot
	Connection between gas valve and pilot assembly is loose	Tighten connection and perform leak check
	Thermocouple is not operating correctly	Replace thermocouple
Burner won't light	Propane cylinder is frosted over	Wait until the propane cylinder warms up and becomes unfrosted
	Blockage in orifice	Clear blockage
	Control knob is not in ON position	Turn control knob to ON
Burner flame is low	Gas pressure is low	Turn cylinder valve OFF and replace cylinder
	Outdoor temperature is less than 40°F/4.4°C and tank is less than 1/4 full	Use a full cylinder
	Control knob fully ON	Check burner and orifices for blockage
Carbon build-up	Dirt or film on reflector and burner screen	Clean reflector and burner screen
Thick black smoke	Blockage in burner	Remove blockage and clean burner inside and outside

ONE-YEAR LIMITED WARRANTY

CUSTOMERS IN USA AND CANADA

Do not return this product to the store where you purchased it. Please call : **1-800-463-3783, 6 AM - 6 PM PST Monday - Friday, 8 AM - 2 PM PST Saturday, email warranty@azpatioheaters.com or visit www.azpatioheaters.com** for assistance. DATED PROOF OF PURCHASE REQUIRED FOR WARRANTY SERVICE.

This product is inspected, tested and carefully packaged to minimize the chance of damage during shipment. If a part (excluding light bulbs and fuses*) within one year from the date of purchase proves to be defective in material or fabrication under normal use, the part will be repaired or replaced. The Company's obligation under the warranty is to replace or repair defective parts at our discretion. Any expenses or damage resulting from the installation, removal or transportation of the product will be the responsibility of the owner and are not covered by this warranty. The owner assumes all other risks arising out from the use or misuse of the product. The warranty will be void if the product damage or failure is deemed by the Company to be caused by accident, alteration, misuse, abuse, incorrect installation or removal, or connection to an incorrect power source by the owner. The Company neither assumes, nor authorizes any person or entity to assume for it any obligation or liability associated with its products.

* Light bulbs and fuses are not covered under this warranty.

Questions, problems, missing parts? Before returning to your retailer, call: 1-800-463-3783, 6 AM - 6 PM PST Monday - Friday, 8 AM - 2 PM PST Saturday, email warranty@azpatioheaters.com or visit www.azpatioheaters.com