

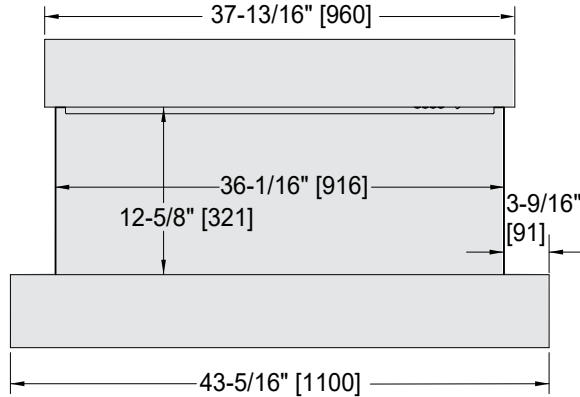


Please consult the manufacturer's installation manual for all details and requirements before making a final design layout decision.

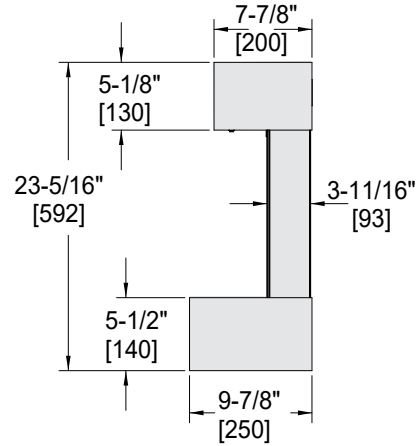
Format 43" Floating Mantel Wall-Mount Electric Fireplace

Model	BTU Output	Width	Height	Depth	Viewing Area (F x G)
SF-FM43-WH	5000	43-5/16" [1100]	23-5/16" [592]	9-7/8" [250]	36-1/16" x 12-5/8" [916 x 321]

FRONT VIEW



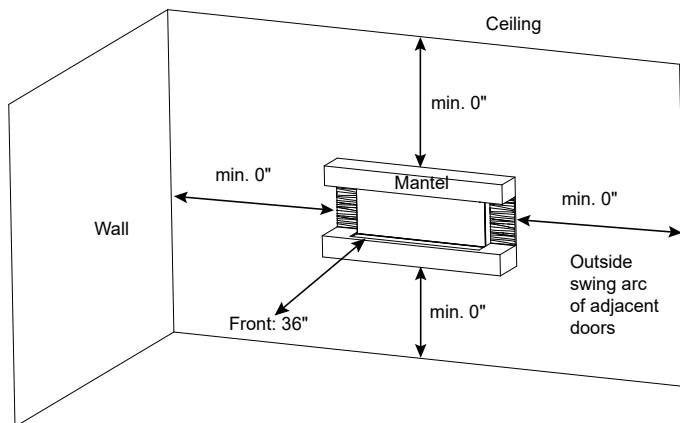
SIDE VIEW



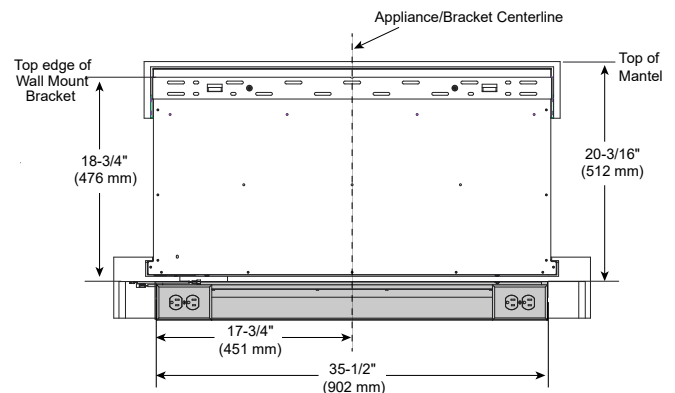
ELECTRICAL CONNECTION REQUIREMENTS

CIRCUIT	CONNECTION METHOD	BTUS
15 AMP, 120V/60 Hz	Plug-in or hardwire	5,000

LOCATION AND CLEARANCES REQUIREMENTS



LOCATION OF OUTLET RECEPTACLE



An electrical receptacle may be discretely located under the bottom mantel. When planning the location of the appliance, special care is required to ensure the wall mount bracket is located a sufficient distance above the electrical receptacle.



Product information provided is not complete and is subject to change without notice. Product installation must adhere strictly to instructions accompanying product to avoid risk of fire and potential injury.



CSA C22.2 No 46-2013

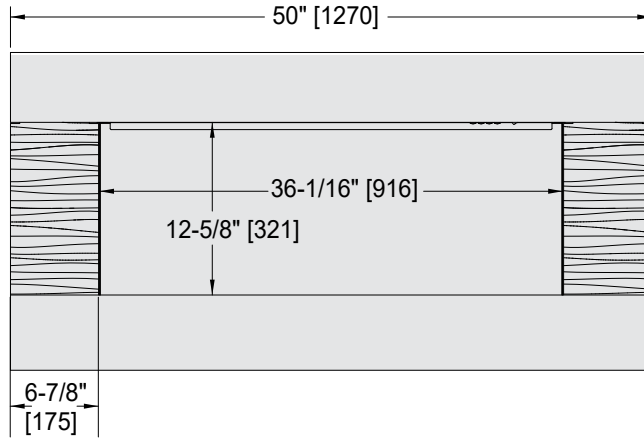


Please consult the manufacturer's installation manual for all details and requirements before making a final design layout decision.

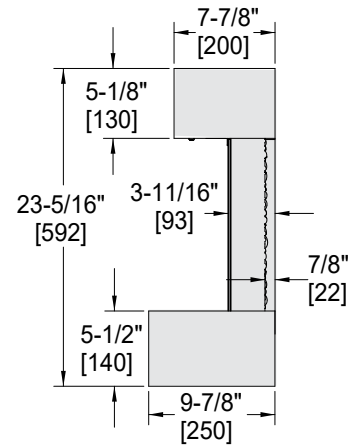
Format 50" Floating Mantel Wall-Mount Electric Fireplace

Model	BTU Output	Width	Height	Depth	Sides	Viewing Area (F x G)
SF-FM50-WH	5000	50" [1270]	23-5/16" [592]	9-7/8" [250]	6-7/8" [175]	36-1/16" x 12-5/8" [916 x 321]

FRONT VIEW



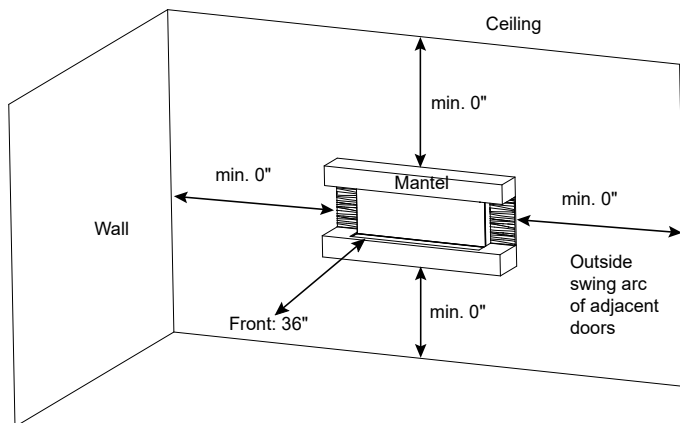
SIDE VIEW



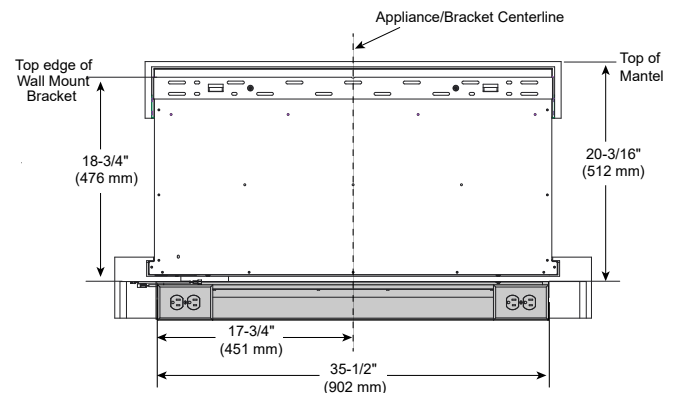
ELECTRICAL CONNECTION REQUIREMENTS

CIRCUIT	CONNECTION METHOD	BTUS
15 AMP, 120V/60 Hz	Plug-in or hardwire	5,000

LOCATION AND CLEARANCES REQUIREMENTS



LOCATION OF OUTLET RECEPTACLE



An electrical receptacle may be discretely located under the bottom mantel. When planning the location of the appliance, special care is required to ensure the wall mount bracket is located a sufficient distance above the electrical receptacle.



SimpliFire — A Brand of Hearth & Home Technologies
 7571 215th Street West | Lakeville, MN 55044
 888-427-3973 | 952-985-6000 | fireplaces.com

Product information provided is not complete and is subject to change without notice. Product installation must adhere strictly to instructions accompanying product to avoid risk of fire and potential injury.



CSA C22.2 No 46-2013

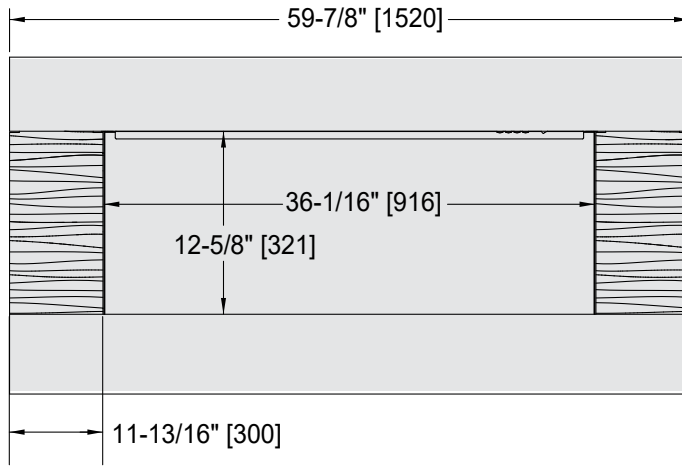


Please consult the manufacturer's installation manual for all details and requirements before making a final design layout decision.

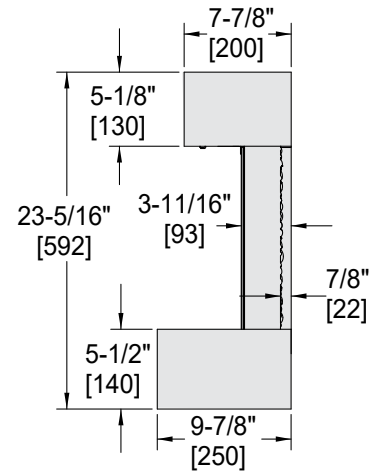
Format 60" Floating Mantel Wall-Mount Electric Fireplace

Model	BTU Output	Width	Height	Depth	Sides	Viewing Area (F x G)
SF-FM60-WH	5000	59-7/8" [1520]	23-5/16" [592]	9-7/8" [250]	11-13/16" [300]	36-1/16" x 12-5/8" [916 x 321]

FRONT VIEW



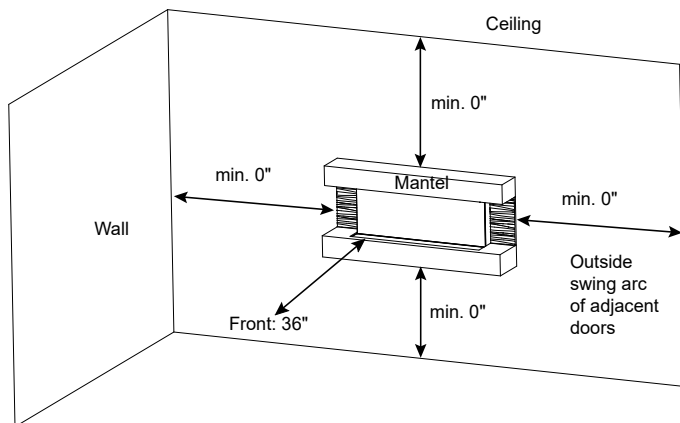
SIDE VIEW



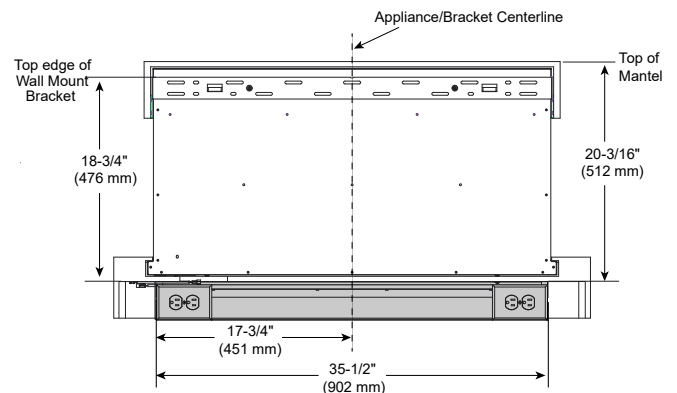
ELECTRICAL CONNECTION REQUIREMENTS

CIRCUIT	CONNECTION METHOD	BTUS
15 AMP, 120V/60 Hz	Plug-in or hardwire	5,000

LOCATION AND CLEARANCES REQUIREMENTS



LOCATION OF OUTLET RECEPTACLE



An electrical receptacle may be discretely located under the bottom mantel. When planning the location of the appliance, special care is required to ensure the wall mount bracket is located a sufficient distance above the electrical receptacle.



SimpliFire — A Brand of Hearth & Home Technologies
 7571 215th Street West | Lakeville, MN 55044
 888-427-3973 | 952-985-6000 | fireplaces.com

Product information provided is not complete and is subject to change without notice. Product installation must adhere strictly to instructions accompanying product to avoid risk of fire and potential injury.



CSA C22.2 No 46-2013