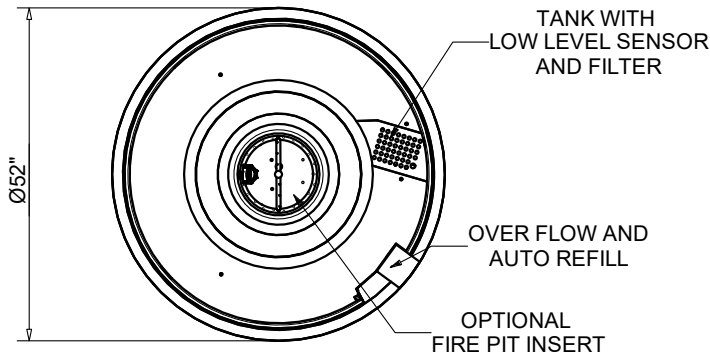




HEARTH PRODUCTS CONTROLS  
 2225 LYONS RD.  
 MIAMISBURG, OH 45342  
 TOLL FREE: 877.585.9800  
 PHONE: 937.436.9800  
 www.hpcfire.com

**Hearth Products Controls Co**  
**EVOLUTION 360 WATER PIT SERIES**  
**CSA CERTIFIED-OUTDOOR USE ONLY**  
**FOR COMMERCIAL AND RESIDENTIAL USE**



WATER PIT WITH WATER FEATURE

Includes Basin, 26" Copper Water Bowl fitted with Certified Electronic Ignition Fit Pit and Lava Rock	
PART NUMBER	DESCRIPTION
WB52R-TEMP4-EI	4-SCUPPER FEATURE - 90K BTU
WB52-TEMP360-EI	360° SCUPPER FEATURE - 90K BTU

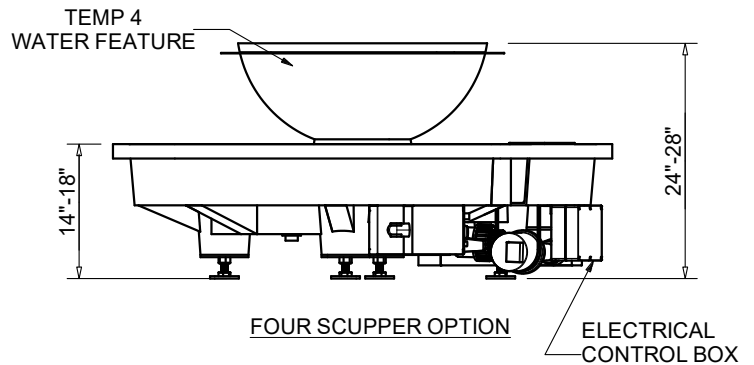
WATER PIT WITH OPTIONAL FIRE PIT

Includes Basin and 26" Copper Planter	
PART NUMBER	DESCRIPTION
WB52R-TEMP4	4-SCUPPER FEATURE WATER BOWL
WB52-TEMP360	360° SCUPPER FEATURE WATER BOWL

VISIT [www.hpcfire.com](http://www.hpcfire.com) FOR OTHER WATER FEATURE OPTIONS

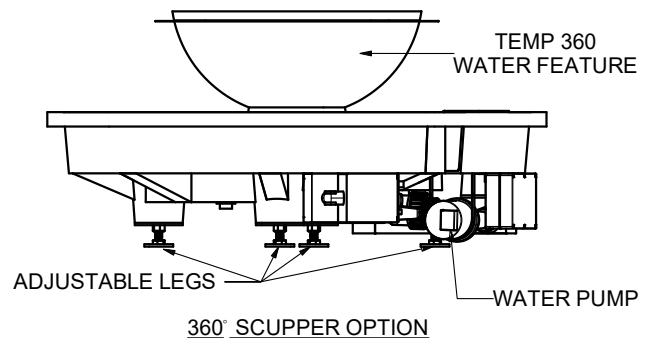
**IMPORTANT:** Ensure that any flex line that may be used from the permanent main fuel supply to the product is rated to the stated max btu of the product and certified to ANSI Z21.75\*CSA 6.27.

- REQUIRED VENTING
  - ENCLOSURES: Minimum required 2 each, 18 sq.in. vents on opposing sides. (Recommend 4 each, 18 sq.in. vents)
  - BOWLS (Copper, Concrete or Metal) - If applicable, bowl to be raised above mounting surface minimum of 3/4" gap. Bowl to have a minimum of 6" diameter hole in bottom
- GAS SUPPLY - FOR USE WITH FIXED PIPING SYSTEMS ONLY - NOT FOR USE WITH SMALL TANKS.
  - Natural Gas: Supply Pressure: Minimum: 3.5" W.C.; Maximum: 7.0" W.C.
  - LP Gas: Supply Pressure: Minimum: 8.0" W.C.; Maximum 11.0" W.C.
- MODIFICATION OF PRODUCT WILL VOID ANY CERTIFICATION AND WARRANTY.
- FOLLOW ALL MANUFACTURER INSTALLATION INSTRUCTIONS AND LOCAL CODES.
- DO NOT SCALE. ALL DIMENSIONS ARE CONSIDERED TRUE AND REFLECT THE MANUFACTURER'S SPECIFICATIONS AS OF THE REVISION DATE.
- THESE DRAWINGS ARE FOR SIZING AND PLANNING PURPOSES ONLY. INFORMATION CONTAINED HEREIN WAS CURRENT AT THE TIME OF DEVELOPMENT. THE MANUFACTURER'S RESPONSIBLE FOR THE ACCURACY OF THE DRAWING.
- CONTRACTOR'S NOTE: FOR PRODUCT AND COMPANY INFORMATION VISIT, [www.CADdetails.com/info](http://www.CADdetails.com/info) REFERENCE NUMBER 771-049.

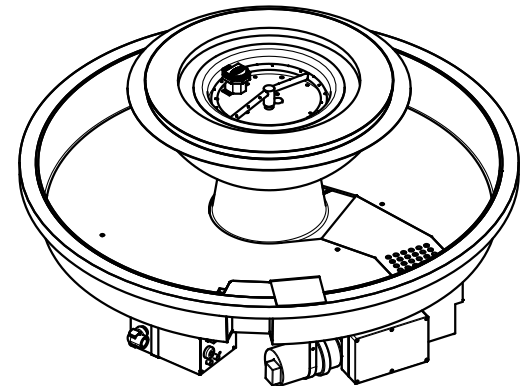


FOUR SCUPPER OPTION

ELECTRICAL CONTROL BOX



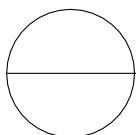
360° SCUPPER OPTION



ISOMETRIC VIEW

**FEATURES:**

- OPTIONAL FIRE FEATURE
- LOW LEVEL PUMP PROTECTION
- AUTO REFILL
- OVERFLOW
- DRAIN
- LED LIGHTS
- ADJUSTABLE WATER FLOW
- ADJUSTABLE HEIGHT / LEVELING LEGS
- NEMA RATED ELECTRICAL SYSTEM
- WATER FILTER



EVOLUTION 360 - PLUG-N-PLAY WATER SYSTEM  
 OPTIONAL CSA CERTIFIED FIRE PIT INSERT

