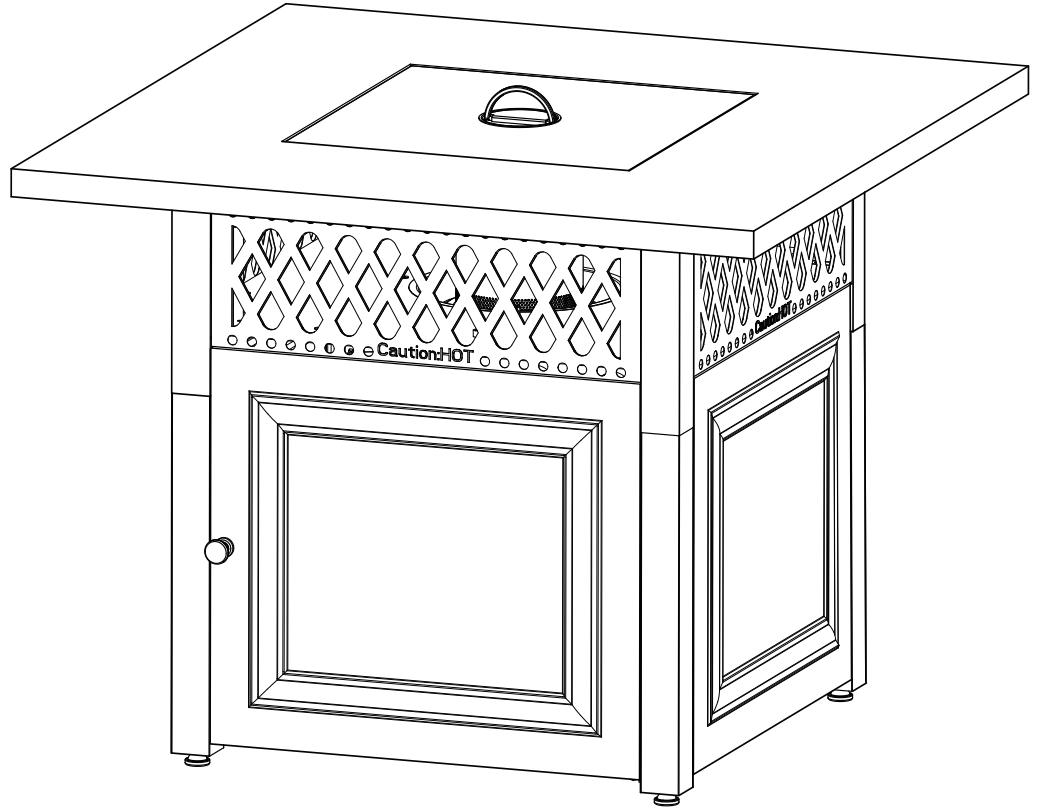


“Donovan” Outdoor LP GAS FIRE PIT with DUALHEAT™ Model No.: GAD19102ES



WARNING
FOR OUTDOOR USE ONLY.

▲ Installation and service must be performed by a qualified installer, service agency or gas supplier.

WARNING
FOR YOUR SAFETY:

▲ If the information in this manual is not followed exactly, a fire or explosion may result causing property damage, personal injury or loss of life.

▲ **WHAT TO DO IF YOU SMELL GAS:**

- Do NOT try lighting any appliance.
- Do NOT touch any electrical switch; do NOT use any phone in your building.
- Immediately call your gas supplier from a neighbor's phone.
- Follow the gas supplier's instructions.
- If you cannot reach your gas supplier, call the fire department.

▲ Do Not Use For Cooking.

WARNING
FOR YOUR SAFETY:

▲ **INSTALLER:** Leave this manual with the appliance.

▲ **CONSUMER:** Retain this manual for future reference.

WARNING
FOR YOUR SAFETY:

▲ Improper installation, adjustment, alteration, service or maintenance can cause injury or property damage.

▲ Read the installation, operation and maintenance instructions thoroughly before installing or servicing this equipment.

DANGER
FIRE OR EXPLOSION HAZARD

If you smell gas:

- Shut off gas to appliance.
- Extinguish any open flame.
- If odor continues, leave the area immediately.
- After leaving the area, call your gas supplier or fire department.

Failure to follow these instructions could result in fire or explosion, which could cause property damage, personal injury, or death.

WARNING
FOR YOUR SAFETY:

1. Do not store or use gasoline, or other flammable vapors and liquids, in the vicinity of this or any other appliance.
2. An LP-cylinder not connected for use shall not be stored in the vicinity of this or any other appliance.

DANGER

Do NOT leave this appliance unattended while it is in operation.

DANGER

CARBON MONOXIDE HAZARD

- This appliance can produce carbon monoxide which has no odor.
- Using it in an enclosed space can kill you.
- Never use this appliance in an enclosed space such as a camper, tent, car or home.

Table of Contents

Important Safeguards	Page 2
Expanded View and Hardware	5
Assembly Instructions	6
Installing LP Gas Tank	9
Operating Instructions	10
Cleaning and Care	10
Product Registration	11
Replacement Parts	11
Limited Warranty	11
Specifications	12
Troubleshooting	13

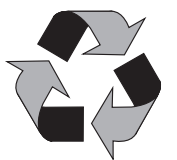
The use and installation of this product must conform to local codes. In absence of local codes, use the latest edition of the *National Fuel Gas Code, ANSI Z223.1/NFPA 54*, or *International Fuel Gas Code*. This appliance, when installed, must be electrically grounded in accordance with local codes, or in the absence of local codes with the *National Electrical Code, ANSI/NFPA 70*, if applicable.

For installation in Canada - these instructions, while generally acceptable, do not necessarily comply with the Canadian installation codes, particularly with piping above and below ground. In Canada the installation of this appliance must comply with local codes and/or standard CAN/CGA B149.1 (installation code for propane burning appliances and equipment).

THIS INSTRUCTION BOOKLET CONTAINS IMPORTANT SAFETY INFORMATION. PLEASE READ AND KEEP FOR FUTURE REFERENCE.

If you are assembling this unit for someone else, give this manual to them to read and save for future reference.

▲ **WARNING:** This product can expose you to chemicals, including carbon monoxide, soot, Diisononyl Phthalate (DINP), lead and lead components which are known to the State of California to cause cancer, birth defects, and other reproductive harm. **Wash your hands after handling this product.** For more information go to www.P65Warnings.ca.gov.



Important Safeguards

⚠ DANGER • FLAMMABLE GAS UNDER PRESSURE.
**LEAKING LP-GAS MAY CAUSE A FIRE OR EXPLOSION IF IGNITED CAUSING
SERIOUS BODILY INJURY OR DEATH.**
**CONTACT LP GAS SUPPLIER FOR REPAIRS, OR DISPOSAL OF THIS
CYLINDER OR UNUSED LP-GAS.**

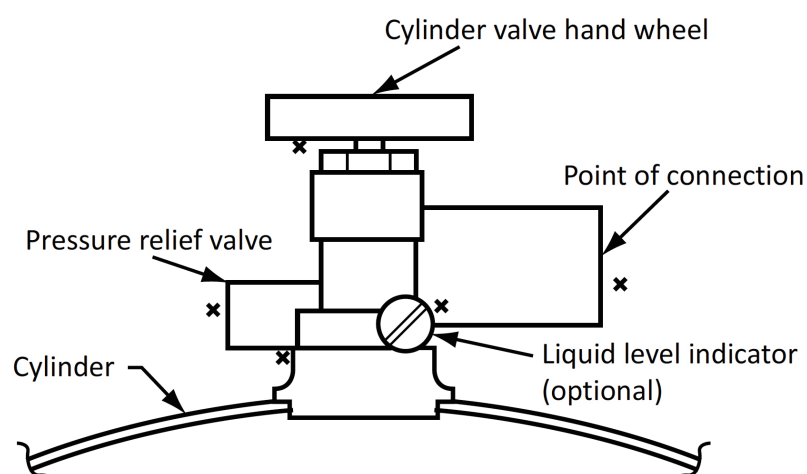
⚠ WARNING • FOR OUTDOOR USE ONLY.*
**DO NOT USE OR STORE CYLINDER IN A BUILDING,
GARAGE OR ENCLOSED AREA.**

⚠ WARNING:

- Know the odor of LP-gas. If you hear, see or smell leaking LP-gas, immediately get everyone away from the cylinder and call the Fire Department. Do not attempt repairs.
- Caution your LP-gas supplier to:
 - Be certain cylinder is purged of trapped air prior to first filling.
 - Be certain not to over fill the cylinder.
 - Be certain cylinder requalification date is checked.
- LP-gas is heavier than air and may settle in low places while dissipating.
- Contact with the liquid contents of cylinder will cause freeze burns to the skin.
- Do not allow children to tamper or play with cylinder.
- When not connected for use, keep cylinder valve turned off. Self contained appliances shall be limited to a cylinder of 30 lb capacity or less.
- Do not use, store or transport cylinder where it would be exposed to high temperatures. Relief valve may open allowing a large amount of flammable gas to escape.
- When transporting, keep cylinder secured in an upright position with cylinder valve turned off.

WHEN CONNECTING FOR USE:

- Use only in compliance with applicable codes.
- Read and follow manufacturer's instructions.
- Consult manufacturer's instructions concerning the cylinder connection provided with your appliance.
- Be sure regulator vent is not pointing up.
- Turn off all valves on the appliance.
- Do not check for gas leaks with a match or open flame. Apply soapy water at areas marked "X". Open cylinder valve. If bubble appears, close valve and have LP-gas service person make needed repairs. Also, check appliance valves and connections to make sure they do not leak before lighting appliance.
- Light appliance(s) following manufacturer's instructions.
- When appliance is not in use, keep the cylinder valve closed.



**DO NOT REMOVE, DEFACE, OR OBLITERATE THIS LABEL
*EXCEPT AS AUTHORIZED BY ANSI/NFPA 58.**

⚠ DANGER. Do not store a spare LP cylinder under or near a barbecue grill, or other heat sources.
NEVER fill an LP cylinder beyond 80% full: a fire causing death or serious injury may occur.

⚠ DANGER: Failure to follow the dangers, warnings and cautions in this manual may result in serious bodily injury or death, or in a fire or an explosion causing damage to property.

⚠ WARNINGS:

- ⚠ Do NOT use this outdoor fire pit without reading the entire owner's manual.**
- ⚠ This appliance is for outdoor use only, and should NOT be used in a building, garage or any other enclosed area.**
- ⚠ Do NOT operate, light or use this appliance within ten feet (3.05 m) of walls, structures or buildings.**
- ⚠ For residential use only. This outdoor fire pit is NOT for commercial use.**
- ⚠ Do NOT use this outdoor fire pit for indoor heating. TOXIC carbon monoxide fumes can accumulate and cause asphyxiation.**
- ⚠ This outdoor fire pit is safety certified for use in the United States and/or Canada only. Do NOT modify for use in any other location. Modification will result in a safety hazard and will void your warranty.**
- ⚠ Apartment dwellers: Check with management to learn the requirements and fire codes for using a liquid propane (LP) gas outdoor fire pit in your apartment complex. If allowed, use outside on the ground floor with a ten foot (3.05 m) clearance from any structure. Do NOT use on or under balconies.**
- ⚠ This outdoor fire pit, from the factory, is for use with LP gas only. The conversion to or attempted use of natural gas in this outdoor fire pit is dangerous, may cause bodily harm and will void your warranty.**
- ⚠ LP gas characteristics:**
 - a. LP gas is flammable and hazardous if handled improperly. Become aware of the characteristics before using any LP gas product.
 - b. LP gas is explosive under pressure, heavier than air, and settles/pools in low areas.
 - c. LP gas in its natural state has no odor. For your safety, an odorant is added that smells like rotten cabbage.
 - d. Contact with LP gas can cause freeze burns to skin.
- ⚠ LP gas tank needed to operate. Only tanks marked "propane" may be used.**
 - a. The LP gas cylinder must be constructed and marked in accordance with the *U.S. Department of Transportation (D.O.T.) Specifications for LP-Gas Cylinders*, or the *Standard for Cylinders, Spheres and Tubes for the Transportation of Dangerous Goods and Commission, CAN/CSA-B339* as applicable.
 - b. LP gas tank must be arranged for vapor withdrawal.
 - c. The LP gas tank must have a listed overfilling prevention device (OPD) and a QCCI or Type I (CGA810) LP gas tank connection.
 - d. The LP gas tank must have a tank collar to protect the tank valve.
 - e. Never use an LP gas tank with a damaged body, valve, collar or footing.
 - f. Dented or rusted LP gas tanks may be hazardous and should be checked by your LP gas supplier prior to use.
 - g. The LP gas tank should not be dropped or handled roughly.
 - h. Tanks must be stored outdoors, out of the reach of children and must not be stored in a building, garage or any other enclosed area. Your LP gas tank must never be stored where temperatures can reach over 125°F.
 - i. Do NOT insert any tool or foreign object into the valve outlet or safety relief valve. You may damage the valve and cause a leak. Leaking propane may result in explosion, fire, severe personal injury or death.
 - j. Never keep an LP gas tank in a hot car or trunk. Heat will cause the gas pressure to increase, which may open the relief valve and allow gas to escape.
 - k. Place dust cap on cylinder valve outlet whenever the cylinder is not in use. Only install the type of dust cap on the cylinder valve outlet that is provided with the cylinder valve. Other types of caps or plugs may result in leakage of propane.
 - l. Do NOT store a spare LP gas tank under or near this appliance.
 - m. Never fill the cylinder beyond 80 percent full.
 - n. A fire causing serious injury or damage to property may occur if the above is not followed exactly.
- ⚠ Your outdoor fire pit has been checked at all factory connections for leaks. Recheck all connections as described in the "Operating Instructions" section, as shipping can loosen connections.**
- ⚠ Check for leaks even if your unit was assembled for you by someone else.**
- ⚠ Do NOT operate if a gas leak is present. Gas leaks may cause a fire or explosion.**
- ⚠ You must follow all instructions in the "Checking for Leaks" section before operating. To prevent a fire or explosion when testing for a leak:**
 - a. Always perform a leak test before lighting this outdoor fire pit and each time the tank is connected for use.
 - b. No smoking. Do NOT use or permit sources of ignition in the area while conducting a leak test.
 - c. Conduct the leak test outdoors in a well-ventilated area.
 - d. Do NOT use matches, lighters or a flame to check for leaks.
 - e. The use of alcohol, prescription or non-prescription drugs may impair the consumer's ability to properly assemble or safely operate the appliance.
 - f. Strong odors, colds, sinus congestion, etc. may prevent the detection of propane. Use caution and common sense when testing for leaks.
 - g. Do NOT use this outdoor fire pit until any and all leaks are corrected. If you are unable to stop a leak, disconnect the LP gas supply. Call a gas appliance serviceman or your local LP gas supplier.
- ⚠ Do NOT store or use gasoline or other flammable liquids or vapors within 25 feet (7.62 m) of this appliance.**
- ⚠ Do NOT use in an explosive atmosphere. Keep outdoor fire pit area clear and free from combustible materials, gasoline and other flammable vapors and liquids.**
- ⚠ This outdoor fire pit is NOT to be operated by children.**
- ⚠ This outdoor fire pit is NOT to be used in or on boats or recreational vehicles.**
- ⚠ Do NOT connect to a remote gas supply.**
- ⚠ Never attempt to attach this outdoor fire pit to the self-contained LP gas system of a camper trailer, motor home or house.**
- ⚠ Always use in accordance with all applicable local, state and national codes. Contact your local fire department for details on outdoor burning.**
- ⚠ When using this outdoor fire pit, exercise the same precautions you would with any open fire.**
- ⚠ Do NOT burn solid fuels such as: wood, charcoal briquettes, lump charcoal, manufactured logs, driftwood, trash, leaves, paper, cardboard, plywood, painted/stained/pressure treated wood in this outdoor fire pit.**
- ⚠ It is essential to keep the outdoor fire pit's valve compartment, burners, and circulating air passages clean. Inspect outdoor fire pit before each use.**
- ⚠ Do NOT use this outdoor fire pit until it is COMPLETELY assembled and all parts are securely fastened and tightened.**
- ⚠ Do NOT use this outdoor fire pit near automobiles, trucks, vans or recreational vehicles.**
- ⚠ Do NOT use this outdoor fire pit under any overhang or near any unprotected combustible constructions. Avoid using near or under overhanging trees and shrubs.**
- ⚠ Always use this outdoor fire pit on a hard, level, non-combustible surface such as concrete, rock or stone. An asphalt or blacktop surface may not be acceptable for this purpose.**
- ⚠ Do NOT use this outdoor fire pit for cooking.**

Important Safeguards

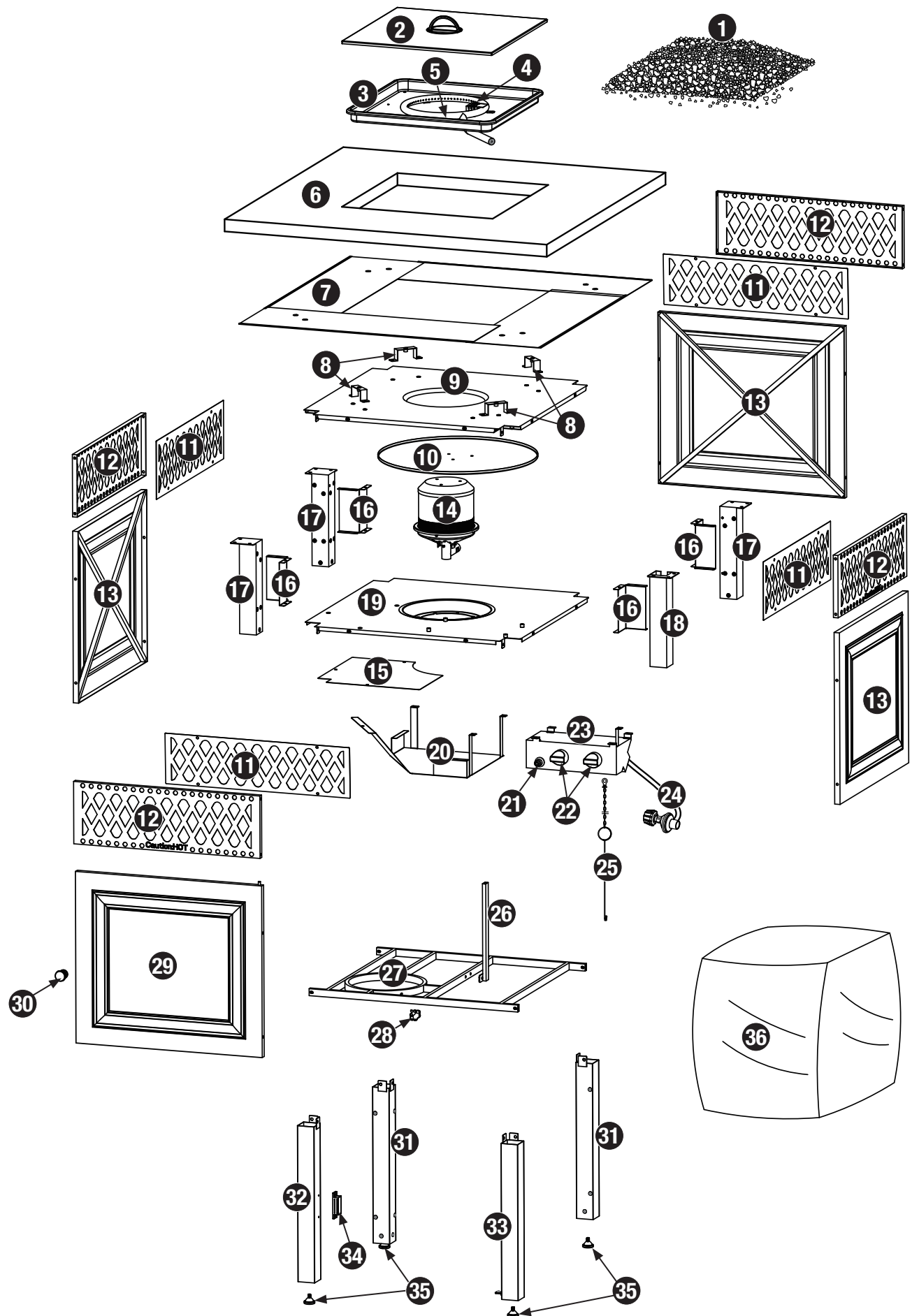
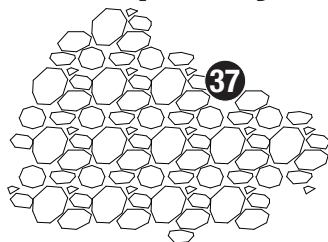
- ▲ Do NOT use this appliance if any part has been under water. Immediately call a qualified service technician to inspect the appliance and to replace any part or control system and any gas control which has been under water.
- ▲ Do NOT wear flammable or loose clothing when operating this outdoor fire pit.
- ▲ Do NOT use in windy conditions.
- ▲ Never lean over this outdoor fire pit when lighting or when in use.
- ▲ Do NOT use this outdoor fire pit unless burner is securely in place.
- ▲ Keep all electrical cords away from this outdoor fire pit during use.
- ▲ Certain areas of this outdoor fire pit when in use will become too hot to touch. To avoid burns, do NOT touch hot surfaces until the unit has completely cooled (about 45 minutes), unless you are wearing protective gear (such as insulated pot holders or heat-resistant gloves/mittens).
- ▲ Do NOT leave a lit outdoor fire pit unattended, especially around children and pets.
- ▲ Children and adults should be alerted to the hazards of high surface temperatures and should stay away to avoid burns or clothing ignition.
- ▲ Young children should be carefully supervised when they are in the area of the appliance.
- ▲ Do NOT hang or place clothing or other flammable material on or near this appliance.
- ▲ Any guard or other protective device removed for servicing the appliance must be replaced prior to operating the appliance.
- ▲ If applicable, protective cover must be removed when burner is in operation.
- ▲ Do NOT attempt to move outdoor fire pit when in use. Allow the outdoor fire pit to cool before moving or storing.
- ▲ This outdoor fire pit should be thoroughly cleaned and inspected on a regular basis. Clean and inspect the hose before each use of the appliance. If there is evidence of abrasion, wear, cuts, or leaks, the hose must be replaced prior to the appliance being operated.
- ▲ This outdoor fire pit should be inspected at least annually by a qualified service person. Depending on amount of use, more frequent cleaning may be required. Do NOT operate until all parts have been repaired or replaced.
- ▲ Use only the regulator and hose assembly provided. Use only the replacement regulator and hose assembly specified by Mr. Bar-B-Q Products LLC.
- ▲ Use only Mr. Bar-B-Q Products LLC factory-authorized parts. The use of any part that is not factory-authorized can be dangerous and will void your warranty.
- ▲ Use only Mr. Bar-B-Q Products LLC factory-authorized fire glass /lava rock. The use of any fire glass/lava rock that is not factory-authorized can be dangerous and will void your warranty.
- ▲ Do NOT operate this appliance without reading “Operating Instructions” in this manual.
- ▲ Storage of this outdoor fire pit indoors is permissible only if the tank is disconnected, removed from the outdoor fire pit and properly stored outdoors.
- ▲ Do NOT attempt to disconnect the gas regulator from the tank or any gas fitting while the outdoor fire pit is in use.
- ▲ If the outdoor fire pit is not in use, the gas must be turned off at the supply tank.
- ▲ CAUTION: The gas pressure regulator provided with this appliance must be used. This regulator is set for an outlet pressure of 11 inches water column.
- ▲ The minimum inlet gas pressure for this outdoor fire pit is 11 inches of water column, for the purpose of input adjustment.
- ▲ The maximum inlet gas pressure for this outdoor fire pit is 11 inches of water column.
- ▲ Before pressure testing, close LP gas tank valve and disconnect gas regulator. The gas supply piping system must test at pressures equal to or less than ½ psi (3.5 kPa).
- ▲ Do NOT sit or stand on the mantle or any part of this appliance.
- ▲ Do NOT throw anything onto the fire when the unit is in operation.
- ▲ Fire glass/lava rock are very hot. Keep children or pets at a safe distance from this appliance.
- ▲ The opening of the tank collar should face toward the door side for easy access.
- ▲ Do NOT store any combustible materials in the base enclosure.
- ▲ Use protective gloves when assembling this product.
- ▲ Do NOT force parts together as this can result in personal injury or damage to the product.
- ▲ Death, serious injury or damage to property may occur if the above is not followed exactly.

Parts List

1	Bronze Fire Glass	GLS-BRN
2	Table Insert	58-23-817
3	Firebowl Assembly*	58-24-161
4	Igniter Cover*	58-23-896
5	Burner*	58-24-162
6	Mantel*	58-24-163
7	Heat Shield A*	58-24-164
8	Support Brackets*	58-24-165
9	Heat Shield B*	58-24-166
10	Dome*	58-24-167
11	Side Heat Shield (4)*	58-24-168
12	Upper Panel (4)	58-24-169
13	Lower Panel (3)	58-24-170
14	Lower Burner Assembly*	58-24-171
15	Heat Shield C*	58-24-172
16	Side Heat Shield Bracket (4)*	58-24-173
17	Upper Post (3)*	58-24-174
18	Upper Post B*	58-24-175
19	Lower Heat Shield*	58-24-178
20	LP Gas Tank Heat Shield*	58-24-179
21	Battery Cap*	58-23-897
22	Control Knob (2)*	58-23-139
23	Control Panel Assembly*	58-24-180
24	Regulator Hose Assembly*	58-24-181
25	Lighting Hook	58-23-956
26	LP Gas Tank Prevent Bar	58-24-182
27	Base*	58-24-183
28	LP Gas Tank Retainer Bolt*	58-24-062
29	Door*	58-24-184
30	Door Knob*	58-24-185
31	Leg A (2)	58-24-186
32	Leg B	58-24-187
33	Leg C	58-24-188
34	Magnet*	58-23-804
35	Foot (4)*	58-24-147
36	Cover	58-24-189
37	Lava Rock (not required and sold separately)**	58-24-190

* Pre-assembled

▲ **CAUTION: Use only Mr. Bar-B-Q Products LLC factory-authorized fire glass/lava rock. The use of any fire glass/lava rock that is not factory-authorized can be dangerous and will void your warranty.

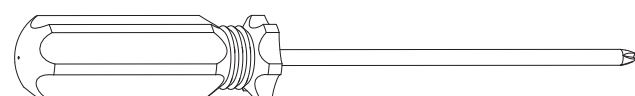
Expanded View

Sold Separately

Hardware

A	Screw	M5x12 Black Nickel Plated Truss Head	22 pcs
B	Screw	M6x12 Black Nickel Plated Step Head	1 pc
C	Screw	M5x25 Black Nickel Plated Truss Head	4 pcs
D	Screw	M4x8 Black Nickel Plated Truss Head	1 pc
E	AA Battery		1 pc

Tools Required for Assembly (Not Included)

#2 Phillips Head Screwdriver

1 pc



Assembly Instructions

1

DO NOT RETURN TO PLACE OF PURCHASE.

For assistance, call 1.888.398.8643 toll-free. Please have your owner's manual and model number available for reference.

Note: The model number is printed on a label which can be found on the inside door, back or side of the base assembly.

Assembly Tips:

1. Select an area where you will assemble this product. To protect components, choose a smooth surface that's free of cracks or openings.
2. Spread out all parts.
3. Tighten all hardware connections by hand first. Then, before completing each step, go back and fully tighten all hardware. Be careful not to over-tighten. That could damage surfaces or strip threads.
4. For best results, complete each step in the order presented.

To complete assembly you will need:

- (1) Leak detection solution (instructions on how to make the solution are included in the "Operating Instructions" section of this manual).
- (1) Precision-filled LP gas grill tank with Acme Type 1 external threaded valve connection (standard grill size) (not included).

Typical assembly is approximately one hour.

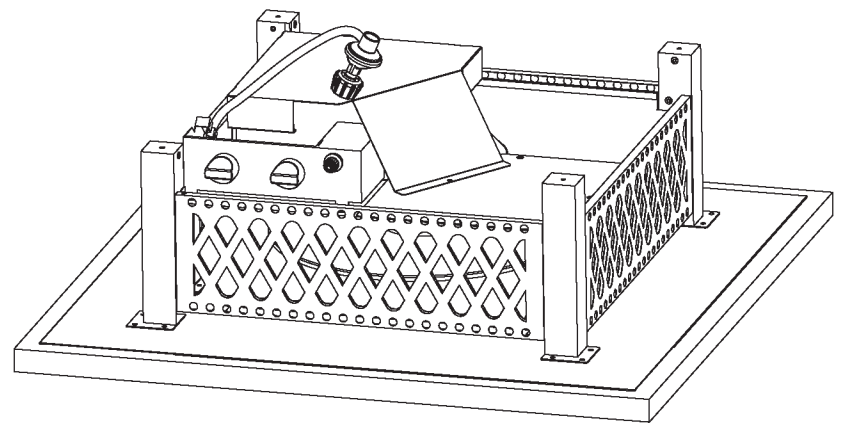
▲ CAUTION: Two (2) people will be required for assembly.

▲ WARNING: Failure to position the parts in accordance with these diagrams or failure to use only parts specifically approved with this appliance may result in property damage or personal injury.

2

Turn Outdoor Fire Pit Over

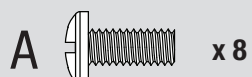
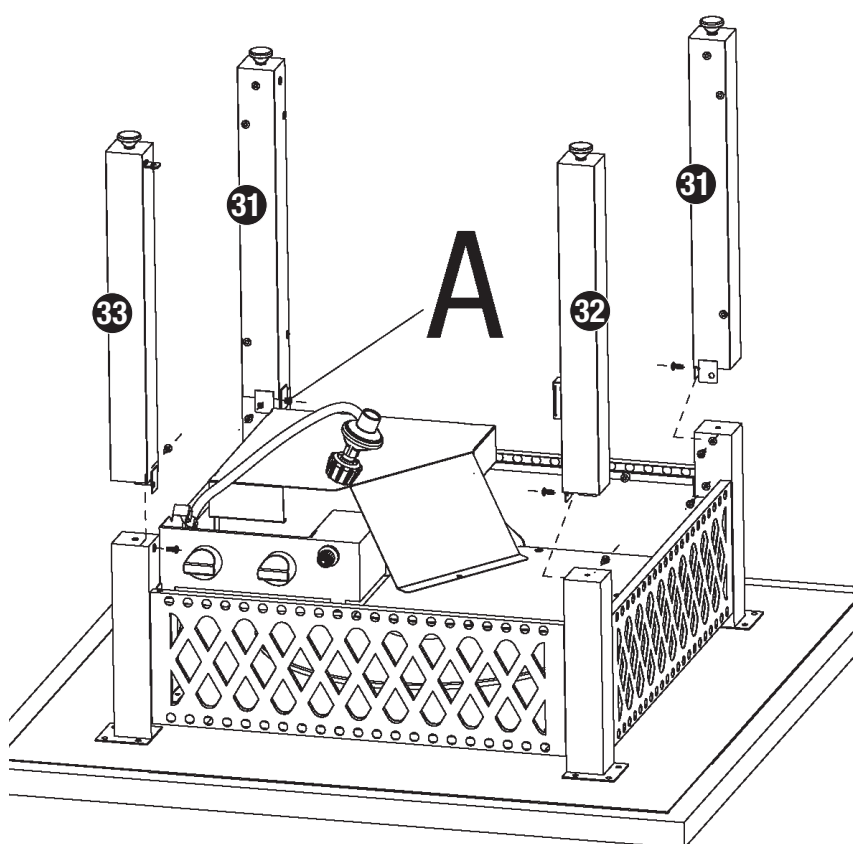
- ▲ **CAUTION: Two (2) people will be required to turn the outdoor fire pit over.**
- ▲ **CAUTION: To avoid scratches choose a smooth surface that's free of cracks or openings.**



3

Attach Legs

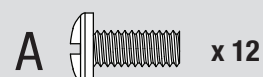
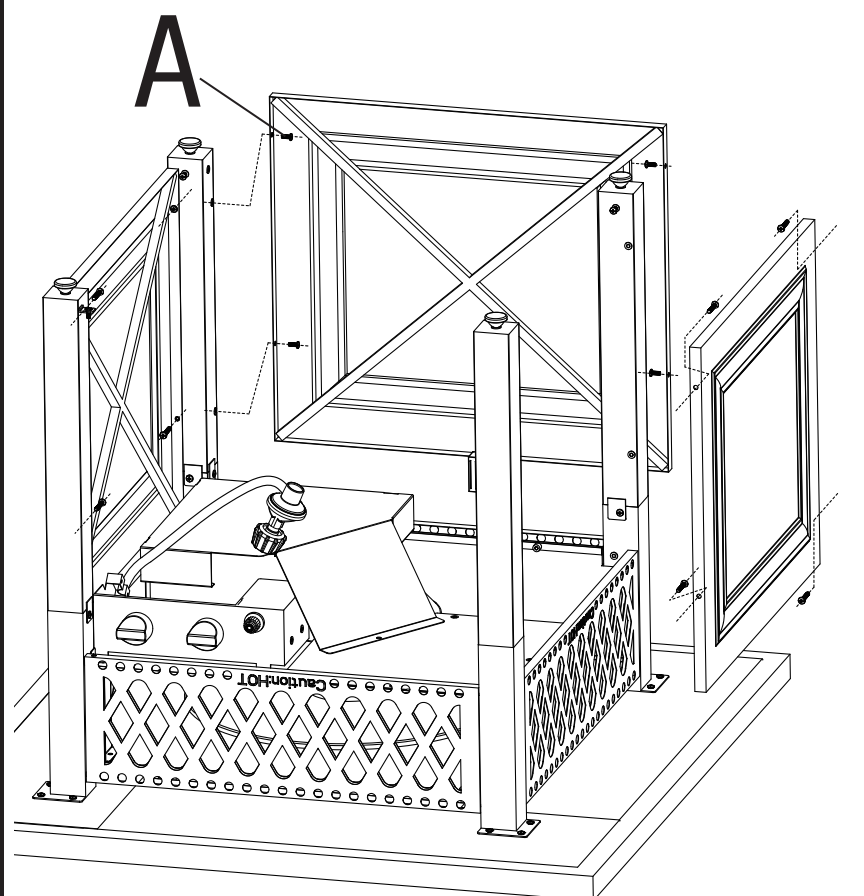
Note: Do not fully tighten screws until step 5.



4

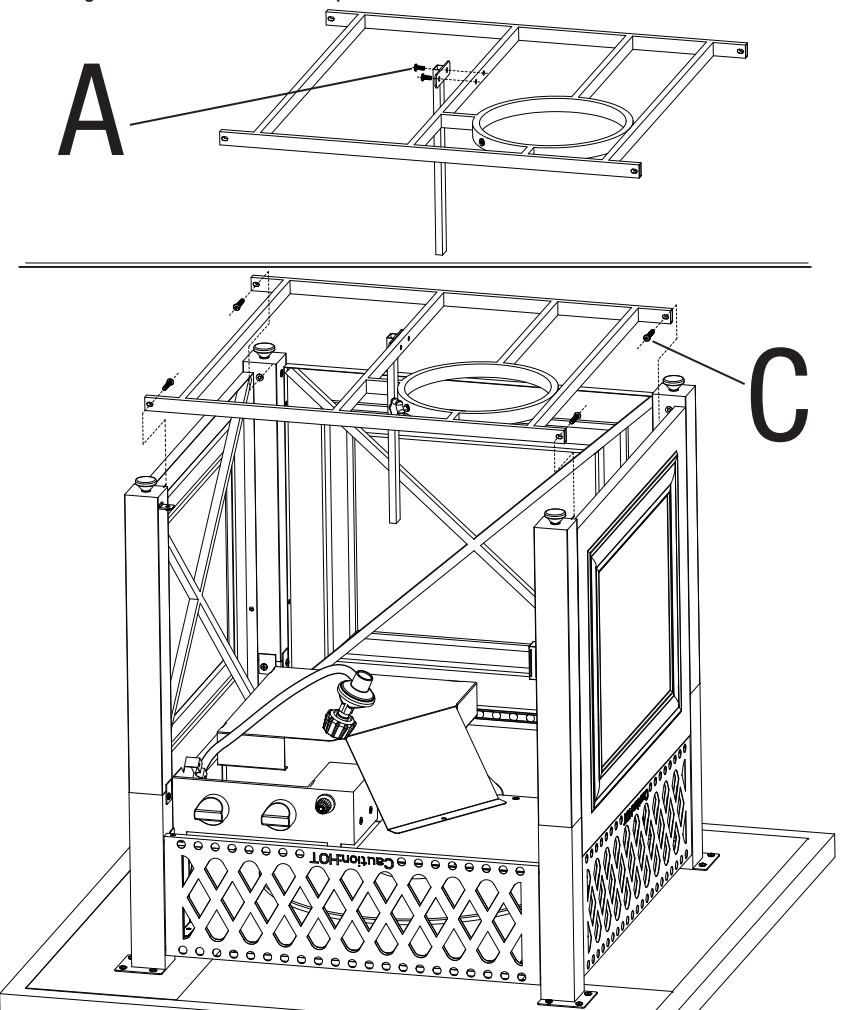
Attach Side and Rear Panels

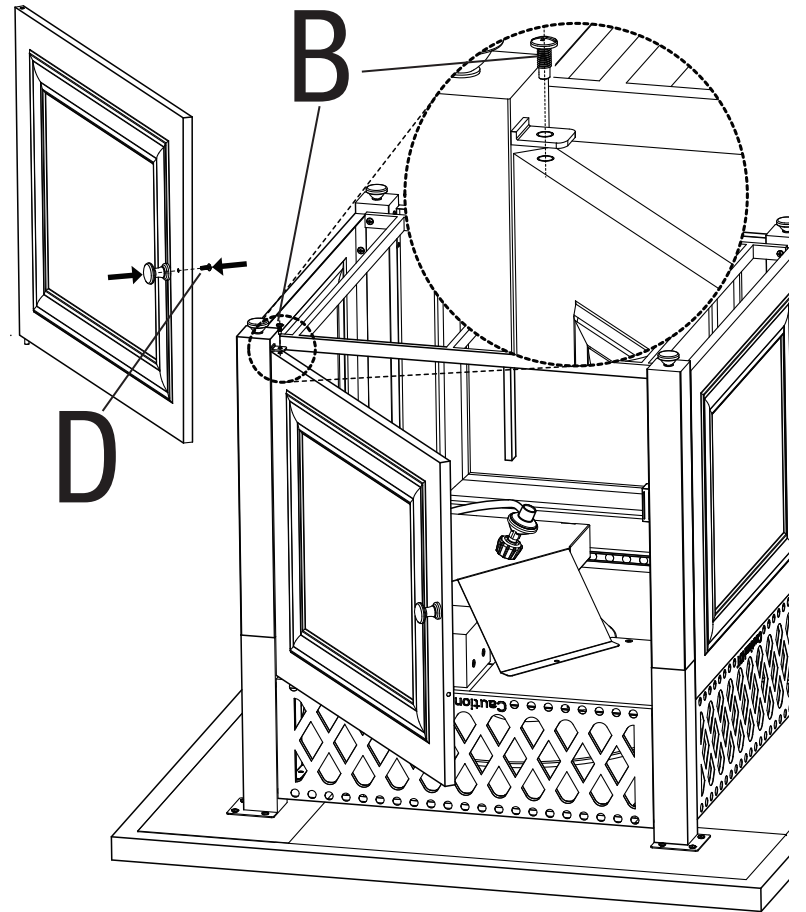
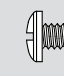
Note: Attach bottom screws before attaching top screws. Do not fully tighten screws until step 5.



Assembly Instructions (continued)
5
Attach LP Gas Tank Prevent Bar to Base, then Attach Base

Note: Tighten all screws from steps 2-5.

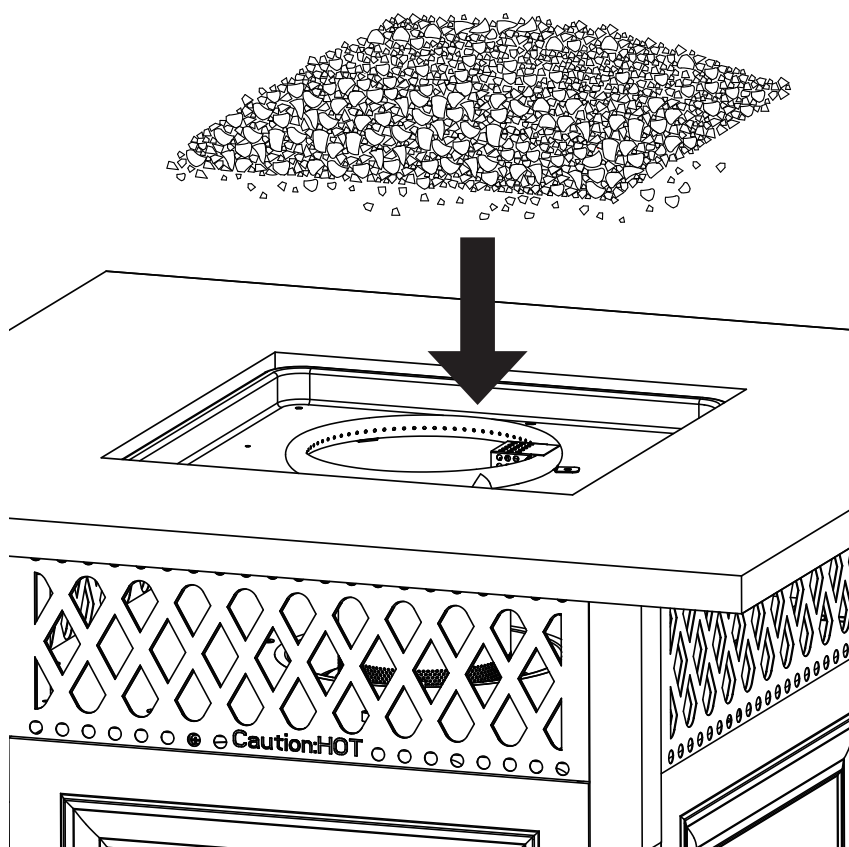

A  x2 **C**  x4

6
Attach Door Knob and Door and Turn Outdoor Fire Pit Over
▲ CAUTION: Two (2) people will be required to turn the outdoor fire pit upright on feet.

B  x1 **D**  x1

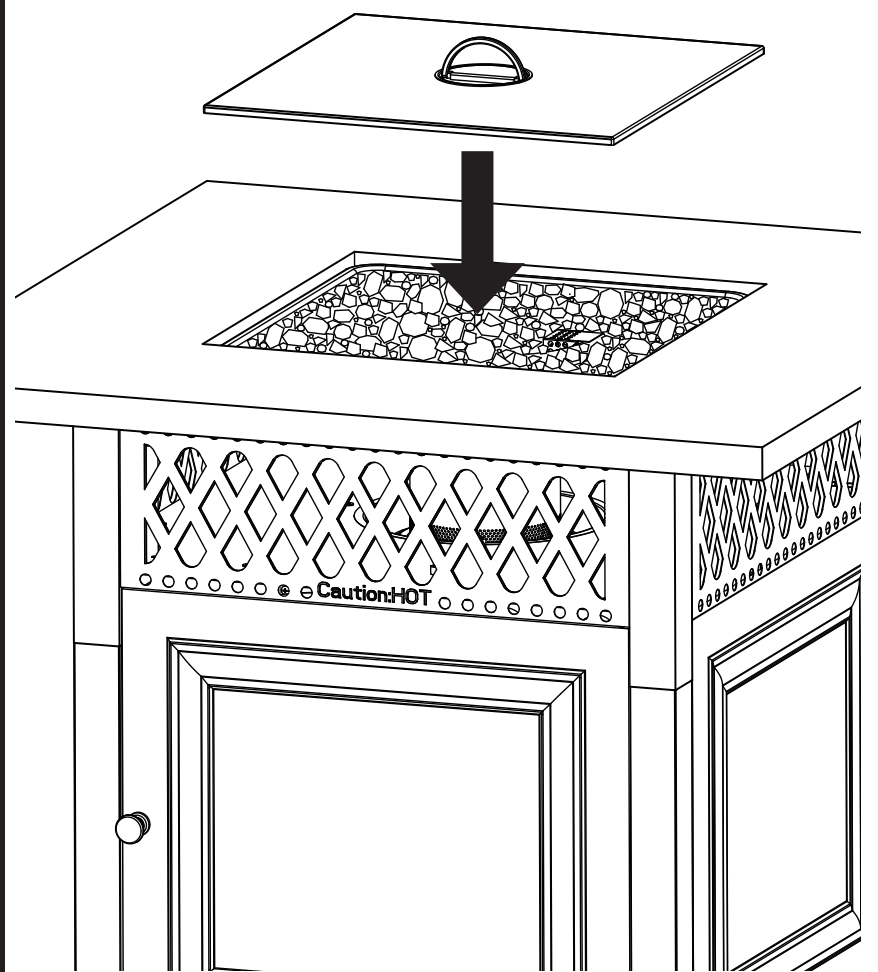
7
Place Fire Glass

- ▲ CAUTION:** Do NOT dump fire glass out of package. Carefully place fire glass by hand so dust does not clog burner.
- ▲ CAUTION:** Use only Mr. Bar-B-Q Products LLC factory-authorized fire glass. The use of any fire glass that is not factory-authorized can be dangerous and will void your warranty.
- ▲ CAUTION:** Do NOT cover igniter cover.

Note: Fire glass should be 0.8-1.6 in (2-4 cm) diameter. Approx. 11 lbs (5 kg) of fire glass is needed.


8
Place Table Insert

- ▲ WARNING:** NEVER place table insert on outdoor fire pit while in use.
- ▲ WARNING:** NEVER place table insert on outdoor fire pit while the outdoor fire pit is still hot.

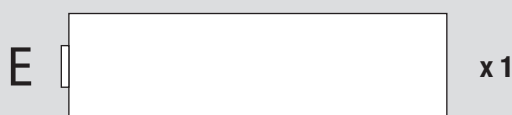
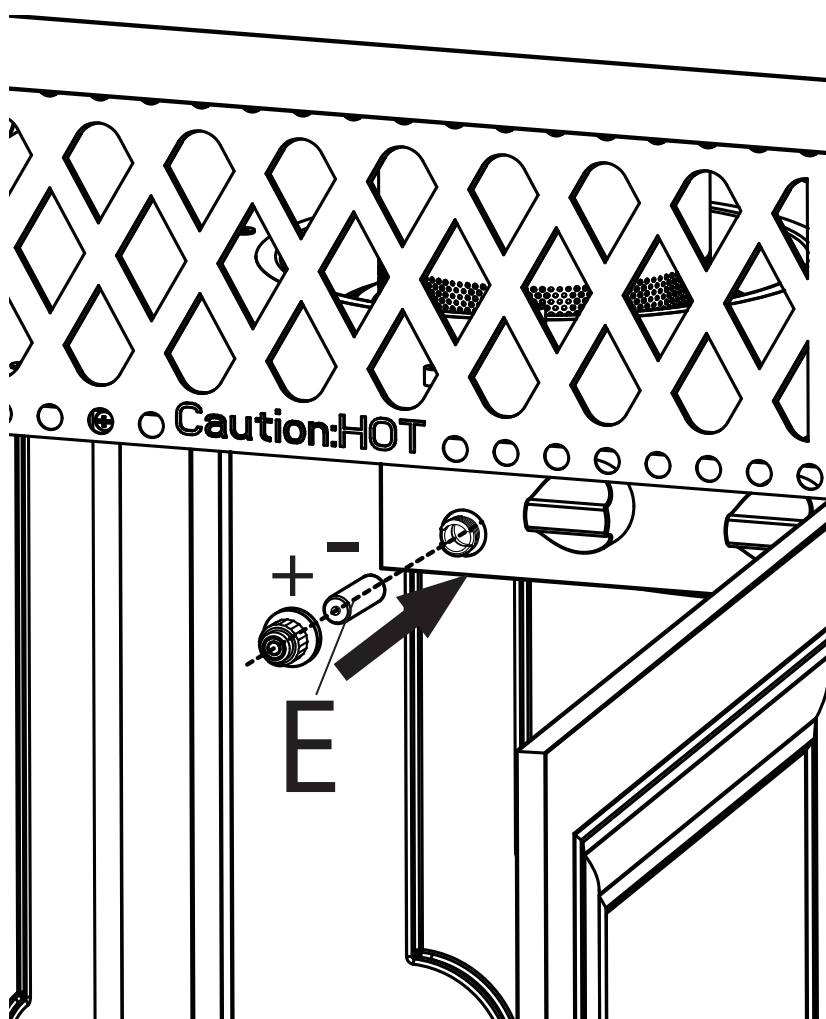


Assembly Instructions (continued)

9

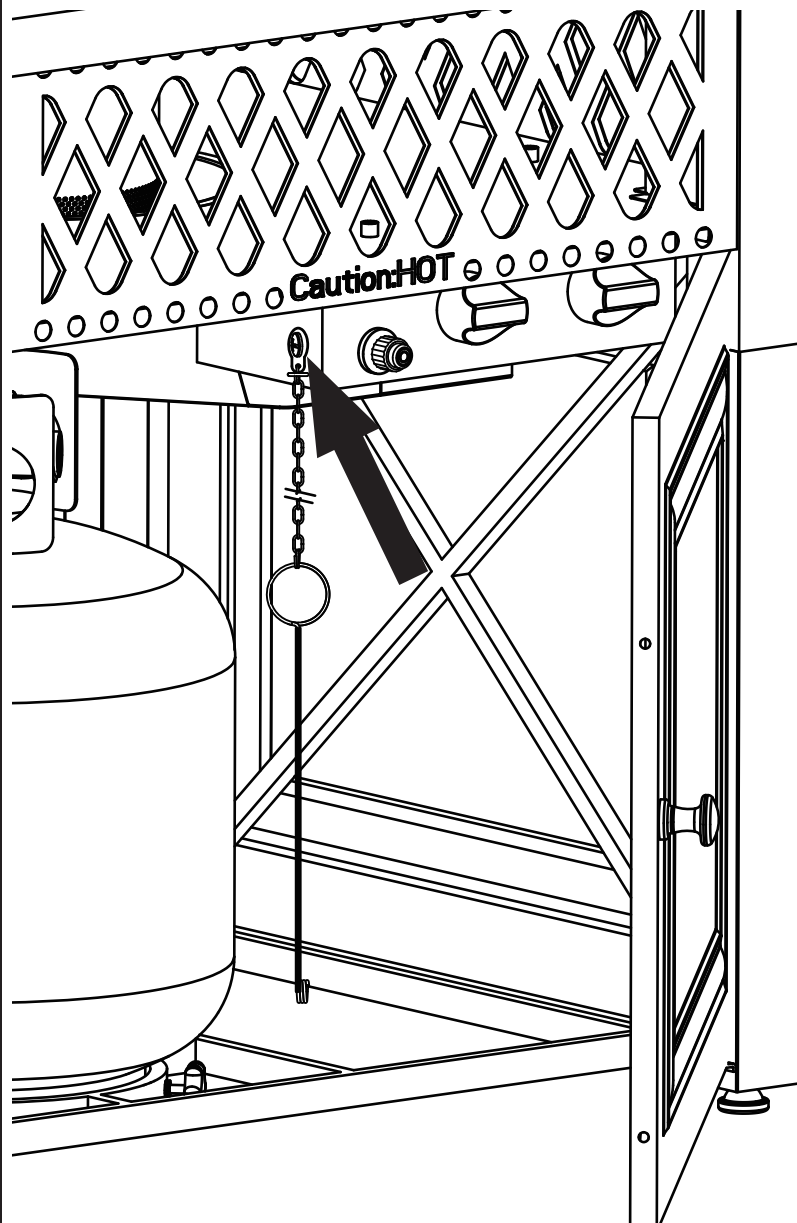
Insert Battery

Note: Remove plastic wrapper before installing battery.



10

Place Lighting Hook

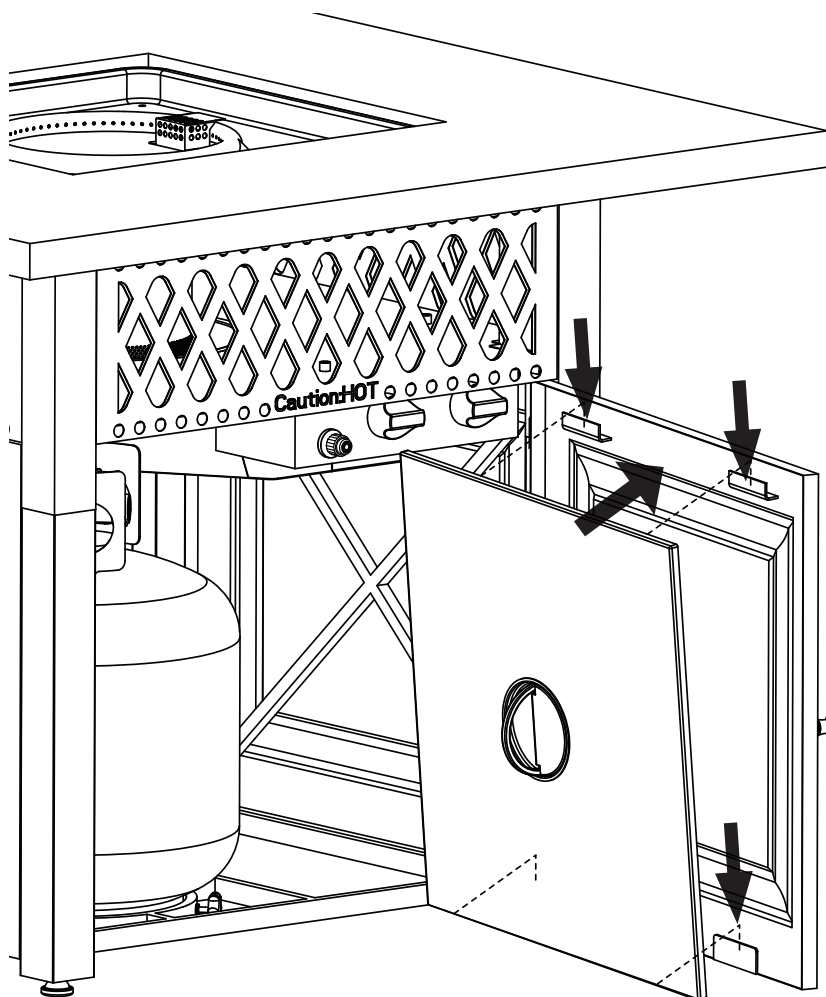


11

Store Table Insert

Hang the table insert on the inner side of door.

- ▲ **WARNING:** NEVER place table insert onto outdoor fire pit while in use.
- ▲ **WARNING:** NEVER take out and place table insert onto outdoor fire pit while the outdoor fire pit is still hot.



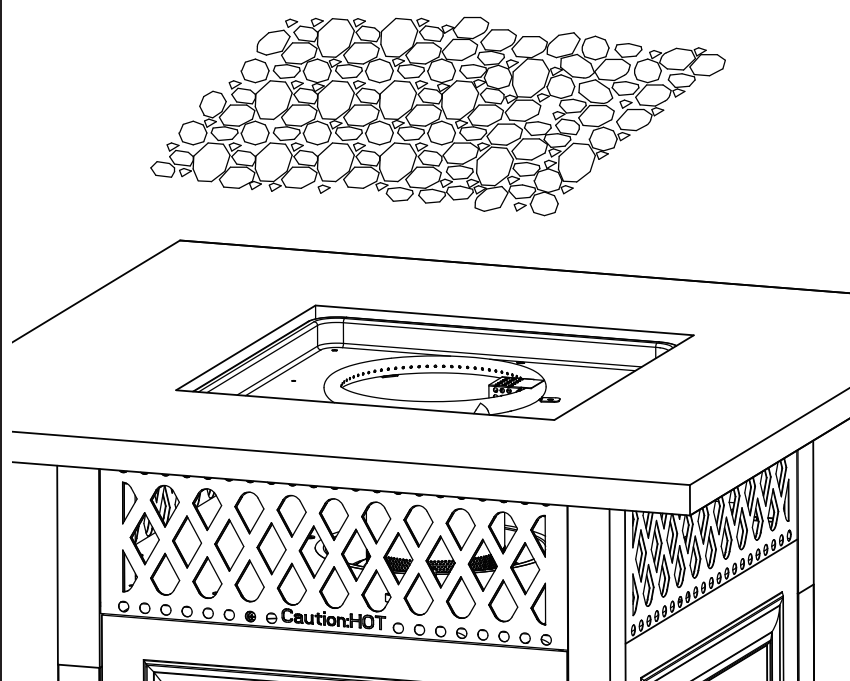
OPTIONAL ITEM SOLD SEPARATELY

12

Place Lava Rocks

- ▲ **CAUTION:** When switching from fire glass, remove all fire glass before placing lava rock.
- ▲ **CAUTION:** Do NOT dump lava rocks out of package. Carefully place lava rocks by hand so dust does not clog burner.
- ▲ **CAUTION:** Use only Mr. Bar-B-Q Products LLC factory-authorized lava rock. The use of any lava rock that is not factory-authorized can be dangerous and will void your warranty.
- ▲ **CAUTION:** Do NOT cover igniter cover.

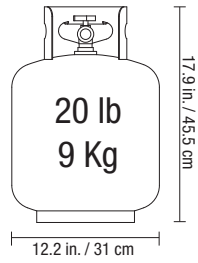
Note: Lava rocks should be 0.8-2.0 in. (2-5 cm) diameter. Approx. 5.07 lbs. (2.3 kg) of lava rocks are needed.



Installing LP Gas Tank

To operate, you will need one precision-filled standard grill LP gas tank with external valve threads.

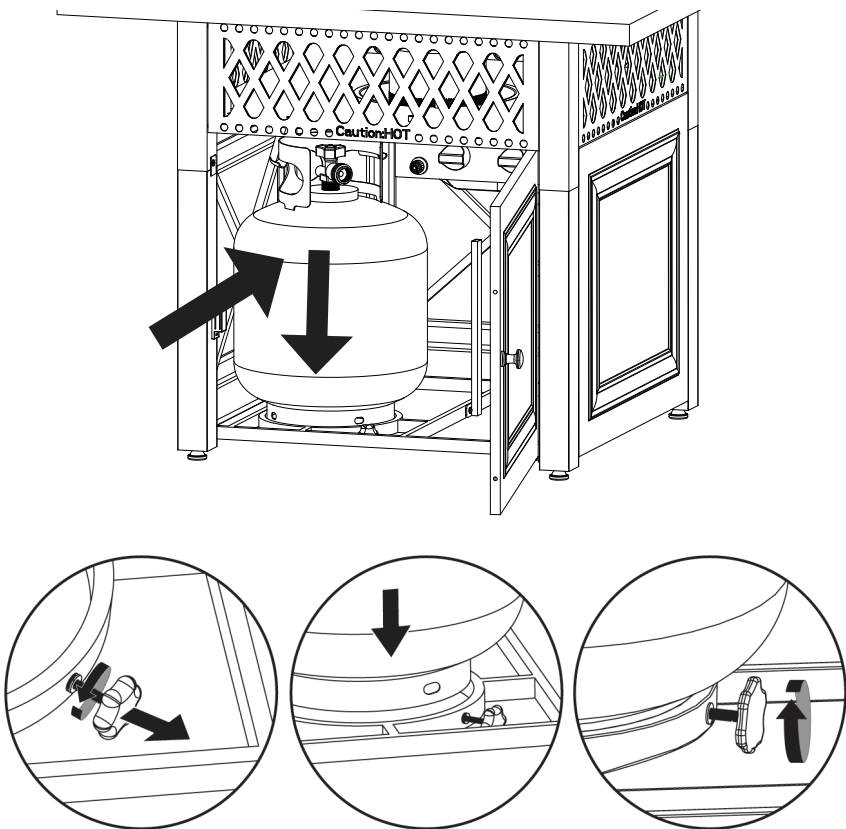
- ▲ **CAUTION: LP gas tank must be properly disconnected and removed prior to moving this outdoor fire pit.**



Inserting LP Gas Tank

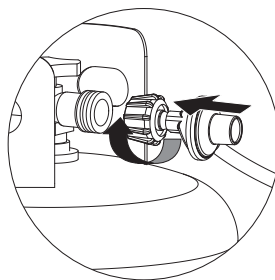
- ▲ **WARNING: Make sure LP gas tank valve is closed.**

1. Open door.
2. Loosen LP gas tank retainer bolt by turning counter-clockwise.
3. Place precision-filled LP gas tank upright into hole in outdoor fire pit base so the tank valve is facing the gas line connection.
4. Secure tank by turning LP gas tank retainer bolt clockwise until tight.
5. Close door.



Connecting LP Gas Tank

1. Make sure the control knob is in the "OFF" position (Figure 3).
2. Before connecting, be sure there is no debris caught in the head of the LP gas tank, head of the regulator valve or in the head of the burner or burner ports.
3. Connect regulator/hose assembly to tank by turning knob clockwise until it stops.
4. Perform leak check per "Checking for Leaks" section.

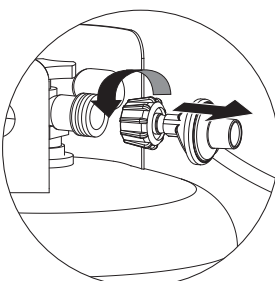


Disconnecting LP Gas Tank

1. Make sure the control knob is in the "OFF" position (Figure 3).
2. Before disconnecting, make sure the LP gas tank valve is "CLOSED."
3. Disconnect regulator/hose assembly from LP gas tank by turning knob counterclockwise until it is loose.

- ▲ **CAUTION: LP gas tank must be properly disconnected and removed prior to moving this outdoor fire pit.**

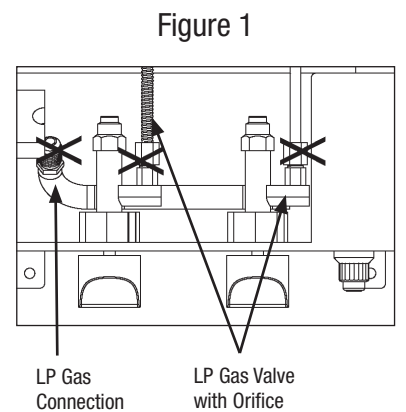
4. Place the protective cap cover on the LP tank and store the tank outdoors in a well ventilated area out of direct sunlight.



Checking for Leaks

- ▲ **WARNING: Before using this outdoor fire pit, make sure you have read, understand and are following all information provided in the "Important Safeguards" section on page 2. Failure to follow those instructions can cause death, serious injury or property damage.**

- ▲ **WARNING: The burner must be replaced prior to the appliance being put into operation if it is evident that the burner is damaged. The replacement burner shall be that specified by the manufacturer.**

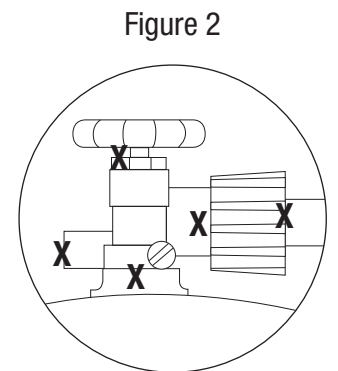


Burner Connections

1. Make sure the regulator hose and valve connections are securely fastened to the burner and the tank.
2. Visually check the connection between the burner/venturi tube and orifice.
3. Make sure the burner/venturi tube fits over the orifice.

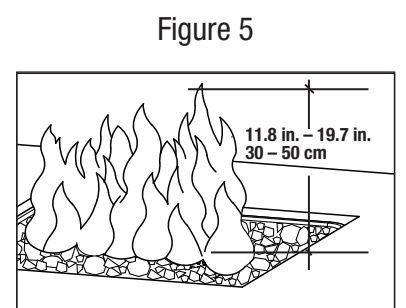
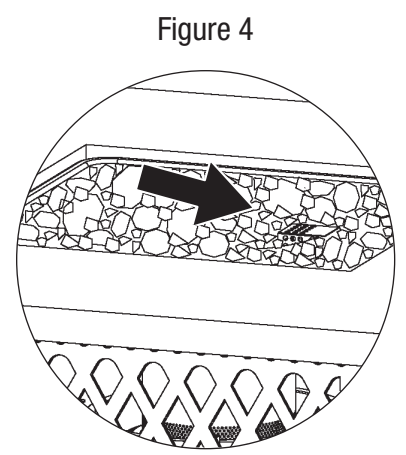
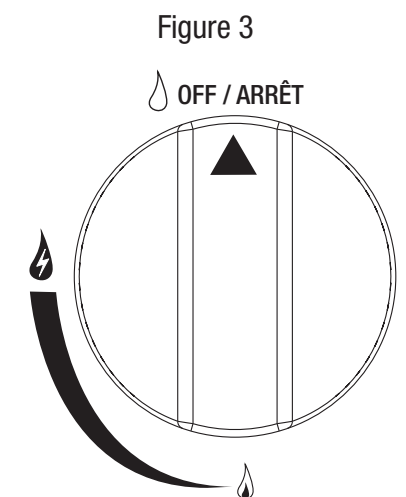
- ▲ **WARNING: Failure to inspect this connection or follow these instructions could cause a fire or an explosion which can cause death, serious bodily injury or damage to property.**

4. Please refer to diagram for proper installation (Figures 1 and 2).
5. If the burner/venturi tube does not rest flush to the orifice, as shown, please contact 1.888.398.8643 for assistance.



Tank/Gas Line Connection

1. Make 2-3 oz. of leak detection solution by mixing one part liquid dishwashing soap with three parts water.
2. Make sure control knobs are in the "OFF" position (Figure 3).
3. Connect LP gas tank per "Installing LP Gas Tank" section.
4. Turn LP gas tank valve to "OPEN."
5. Spoon several drops of solution, or use a squirt bottle, at all "X" locations (Figures 1 and 2).
 - a. If any bubbles appear, turn LP gas tank valve to "CLOSED," reconnect and re-test.
 - b. If you continue to see bubbles after several attempts, turn LP gas tank valve to "CLOSED" and disconnect LP gas tank, per "Disconnecting LP Gas Tank" section. Contact 1.888.398.8643 for assistance.
 - c. If no bubbles appear after one minute, turn LP gas tank valve to "CLOSED," wipe away solution and proceed.



Upper Burner Lighting

- ▲ **DANGER: Failure to follow these lighting instructions may result in serious bodily injury or death, or in a fire or an explosion causing damage to property.**
- ▲ **WARNING: NEVER light the burner with the cover on the outdoor fire pit.**
- ▲ **CAUTION: Keep outdoor gas appliance area clear and free from combustible materials, gasoline and other flammable vapors and liquids.**
- ▲ **CAUTION: Do NOT obstruct the flow of combustion and ventilation air.**
- ▲ **CAUTION: Check and clean burner/venturi tubes for insects and insect nests. A clogged tube can lead to a fire.**

Note: The upper and lower burners are independent.

Note: This outdoor fire pit is equipped with a pilot light that allows for safer startups and shutdowns. Pilot must be lit before main burner can be started.

Lighting

1. Make sure all labels, packaging and protective films have been removed from the outdoor fire pit.
2. Check for obstructions of airflow to the burner. Spiders, insects and webs can clog the burner/venturi tube. A clogged burner tube can lead to a fire.

Operating Instructions

- Make sure the control knobs are in the "OFF" position (Figure 3).
- Clear small area of glass rocks away from the igniter cover (Figure 4).
- Connect LP gas tank per "Installing LP Gas Tank" section.
- Slowly turn LP gas tank valve 1 revolution to "OPEN."
- Push and turn control knob to HIGH. Continue to hold the control knob in to light.
- After the fire pit lights, continue to hold the control knob in for 20 seconds to heat the thermocouple, a safety device that stops the gas flow when a fire pit is not lit. Holding the knob in for 20 seconds warms it up so the gas flow will continue.
- After 20 seconds, release and turn control knob counterclockwise to adjust flame to desired height.
- After three attempts, if ignition does not occur, turn the burner control knob to "OFF."
- Wait 5 minutes, fan with a newspaper or magazine, and repeat lighting procedure.
- If igniter does not light burner:
 - Wearing heat-resistant gloves, position a lit long match or lit long butane lighter near the pilot housing (Figure 4).
 - Push and turn control knob to HIGH.
 - Remove match/lighter once burner is lit.
- CAUTION: After lighting - using a fire pit tool and heat-resistant gloves, carefully move the fire glass/lava rock back to their proper position, being careful to avoid the flame.**
- After lighting, observe the burner flame. Make sure all burner ports are lit and flame height matches illustration (Figure 5).
- CAUTION: If ignition does not occur in 5 seconds, turn control knob to "OFF," wait 5 minutes, fan with a newspaper or magazine, and repeat lighting procedure.**

Turning Off

- Turn LP gas tank valve to "CLOSED."
- Turn control knob to the "OFF" position.
Note: A "poof" sound is normal as the last of the LP gas is burned.
- Disconnect LP gas tank per "Disconnecting LP Gas Tank" section.

Lower Burner Lighting

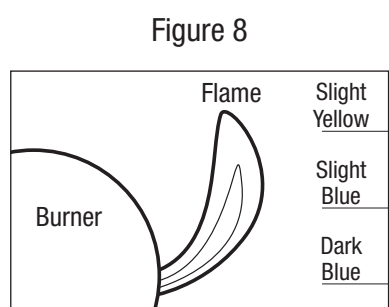
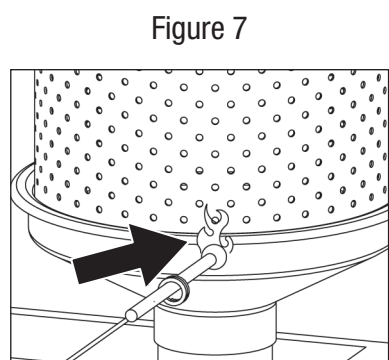
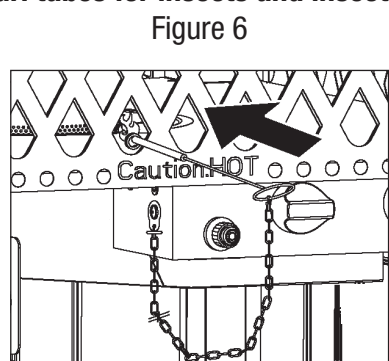
- DANGER: Failure to follow these lighting instructions may result in serious bodily injury or death, or in a fire or an explosion causing damage to property.**
- WARNING: NEVER light the burner with the cover on the outdoor fire pit.**
- WARNING: Always use this outdoor fire pit on a hard, level, non-combustible surface such as concrete, rock or stone. An asphalt or blacktop surface may not be acceptable for this purpose.**
- CAUTION: Keep outdoor gas appliance area clear and free from combustible materials, gasoline and other flammable vapors and liquids.**
- CAUTION: Do NOT obstruct the flow of combustion and ventilation air.**
- CAUTION: Check and clean burner/venturi tubes for insects and insect nests. A clogged tube can lead to a fire.**
- CAUTION: If relighting a hot heater, always wait at least 5 minutes before relighting.**

Note: The upper and lower burners are independent.

Note: This outdoor fire pit is equipped with a pilot light that allows for safer startups and shutdowns. Pilot must be lit before main burner can be started.

Lighting

- Make sure all labels, packaging and protective films have been removed from the outdoor fire pit.
- Check for obstructions of airflow to the burner. Spiders, insects and webs can clog the burner/venturi tube. A clogged burner tube can lead to a fire.
- Make sure the control knobs are in the "OFF" position (Figure 3).
- Connect LP gas tank per "Installing LP Gas Tank" section.
- Turn LP gas tank valve to "OPEN."
- Push and turn control knob to HIGH. Continue to hold the control knob in to light.
- After the fire pit lights, continue to hold the control knob in for 20 seconds to heat the thermocouple, a safety device that stops the gas flow when a fire pit is not lit. Holding the knob in for 20 seconds warms it up so the gas flow will continue.



- After 20 seconds, release and turn control knob counterclockwise to adjust heat to desired temperature.
- After three attempts, if ignition does not occur, turn the burner control knob to "OFF."
- Wait 5 minutes, fan with a newspaper or magazine, and repeat lighting procedure.
- If igniter does not light burner:
 - Use a lit matchbook match secured with the lighting hook (included with the outdoor fire pit) to light the lower burner.
 - Access the burner through the side Panel (Figure 6).
 - Position lit match near side of burner (Figure 7).
Important: Always use the lighting hook (included) when lighting burners with a match.
 - Push and turn control knob to HIGH.
 - Remove match/lighter once burner is lit.
- CAUTION: After lighting - using a fire pit tool and heat-resistant gloves, carefully move the fire glass/lava rock back to their proper position, being careful to avoid the flame.**
- After lighting, observe the burner flame. Make sure all burner ports are lit and flame height matches illustration (Figure 8).
- CAUTION: If ignition does not occur in 5 seconds, turn control knob to "OFF," wait 5 minutes, fan with a newspaper or magazine, and repeat lighting procedure.**

TIP: The burner may be noisy when initially lit. To eliminate excessive noise from the burner turn the control knob to the (pilot) position, then turn the knob to the level of heat desired.

TIP: Remove manufacturing oils on this heater for the first time by operating the heater for at least 15 minutes on HIGH. This will "heat clean" the internal parts and dissipate odors.

When Heater is On

- WARNING: Dome and burner are extremely hot to the touch during operation. Never touch the dome or burner while the heater is operating. The surface of heater's emitter can reach temperatures approaching 1600°F.**
- WARNING: Do NOT touch metal parts of heater until they have completely cooled to avoid burns, unless you are wearing protective gear (pot holders, gloves, BBQ mittens, etc.).**
- Emitter screen will become bright red due to intense heat. The color is more visible at night.
- Burner will display tongues of blue and yellow flame. These flames should not be yellow or produce thick black smoke, indicating an obstruction of airflow through the burners. The flame should be blue with straight yellow tops (Figure 8).
- If excessive yellow flame is detected, turn off heater and visit BlueRhino.com for cleaning instructions or call 1.888.398.8643.
- CAUTION: If burner flame goes out during operation, immediately turn the control knob to the "OFF" position, LP gas tank valve "CLOSED" and let the gas clear for 5 minutes before lighting per "Lighting" section.**

Re-lighting

Note: For your safety, the control knob cannot be turned the the "OFF" position without first depressing control knob in (LOW/PILOT) position and then rotating it to "OFF."

- Turn control knob to "OFF."
- Wait at least 5 minutes to let gas dissipate, fan with a newspaper or magazine.
- Light per "Lighting" section.

Turning Off

- Turn control knob clockwise to the (LOW/PILOT) position. Burner will extinguish but pilot will remain "ON."
- Turn LP gas tank valve to "CLOSED."
Note: A "poof" sound is normal as the last of the LP gas is burned.
- Disconnect LP gas tank per "Disconnecting LP Gas Tank" section.

Note: After use, some discoloration of the emitter screen is normal.

Cleaning and Care

- CAUTION:**
 - All cleaning and maintenance should be done when outdoor fire pit is cool and with the fuel supply disconnected.
 - Do NOT clean any outdoor fire pit part in a self-cleaning oven. The extreme heat will damage the finish.
 - Do NOT enlarge valve orifices or burner ports when cleaning the valves or burners.

Notices

- This outdoor fire pit should be thoroughly cleaned and inspected on a regular basis.
- Abrasive cleaners will damage this product.

Cleaning and Care (continued)

3. **NEVER** use oven cleaner to clean any part of this outdoor fire pit.
4. **More frequent cleaning may be required as necessary. It is imperative that control compartment, burners and circulating air passageways of the heater be kept clean.**
5. **Have the outdoor fire pit inspected annually. Any repairs should be made by a qualified service person.**
6. **Inspect heater before each use.**
7. **Spiders and insects can create a dangerous condition that may damage the heater or make it unsafe. Keep burner area clean of all spiders, webs and insects. Clean burner holes by using a heavy-duty pipe cleaner. Compressed air may help clear away smaller particles.**
8. **Check heater immediately if any of the following conditions exist:**
 - a. **You smell gas in conjunction with extreme yellow tipping of burner flames.**
 - b. **Heater does not reach proper temperature.**
Note: At temperatures less than 40°F, heat output will be reduced.
 - c. **Heater's glow is excessively uneven.**
 - d. **Burner makes popping noises during use.**
Note: A "poof" sound is normal as the last of the LP gas is burned.
9. **Carbon deposits may create a fire hazard. Keep dome and emitter clean at all times.**
10. **Do NOT clean heater with combustible or corrosive cleaners. Use warm, soapy water.**
11. **Do NOT paint engine, engine access panel or dome.**
12. **After a period of storage and/or non use, check for leaks, burner obstructions and inspect for any abrasion, wear or cuts to the hose.**
13. **Check under the dome and engine area periodically for any obstructions such as spiderwebs, bird nests, etc.**

Before Each Use:

1. Keep the outdoor fire pit area clear and free from any combustible materials, gasoline, and other flammable vapors and liquids.
2. Do NOT obstruct the flow of the combustion of LP gas and the ventilation of air.
3. Keep the ventilation opening(s) of the LP gas tank area free and clear from debris.
4. Visually check the burner flames to make sure your outdoor fire pit is working properly (Figure 5).
5. See below for proper cleaning instructions.
6. Check all gas connections for leaks.
7. Check components for any signs of damage or rust.
8. Check for obstructions of airflow to the burner. Spiders, insects and webs can clog the burner/venturi tube. A clogged burner/venturi tube can lead to a fire.
9. If damage to any component is detected, do NOT operate until repairs are completed.

Cleaning Surfaces

1. Wipe surfaces clean with mild dishwashing detergent or baking soda mixed with water.
2. For stubborn stains, use a citrus-based cleaner and a nylon scrubbing brush.
3. Rinse clean with water.
4. Allow to air dry.

Note: While cleaning your unit, be sure to keep the area around the burner and pilot assembly dry at all times.

▲ CAUTION: Do NOT submerge the control valve assembly. If the gas control is submerged in water, do NOT use it. It must be replaced.

Maintenance

To enjoy years of outstanding performance from your heater, make sure you perform the following maintenance activities on a regular basis:

1. Keep exterior surfaces clean.
2. Perform routine maintenance.
3. Air flow must be unobstructed. Keep controls, burner, and circulating air passageways clean. Signs of possible blockage include:
 - Gas odor with extreme yellow tipping of flame.
 - Outdoor fire pit does NOT reach the desired temperature.
 - Lower burner on outdoor fire pit glow is excessively uneven.
 - Lower burner on outdoor fire pit makes popping noises.

Note: In a salt-air environment (such as near an ocean), corrosion occurs more quickly than normal. Frequently check for corroded areas and repair them before operating.

TIP: Use high-quality automobile wax to help maintain the appearance of your outdoor fire pit. Apply to exterior surfaces. **Do NOT apply to burners, emitter screen or domes.**

Cleaning Burner

▲ WARNING: All cleaning should be done when appliance is cool and with the fuel supply disconnected per "Disconnecting LP Gas Tank."

1. Remove the fire glass/lava rock
2. Remove all dirt/dust from the burner, igniter cover and venturi area with a small brush and/or compressed air.
3. Visually inspect the burner for any rust or damage. If damage is found, replace necessary parts with new from the manufacturer.
4. Clean any clogged burner ports with a stiff wire (such as an opened paper clip).
5. Carefully replace the fire glass/lava rock being cautious not to block the igniter cover.

Before Storing

1. Turn LP gas tank valve to "CLOSED."
 2. Turn control knob to the "OFF" position.
 Note: A "poof" sound is normal as the last of the gas is burned.
 3. Disconnect LP gas tank per "Disconnecting LP Gas Tank" section.
 4. Clean all surfaces.
 5. Lightly coat the burner with cooking oil to prevent excess rusting.
- ▲ CAUTION: NEVER place cover on hot outdoor fire pit.**
6. If storing the outdoor fire pit indoors, cover the outdoor fire pit and store in a cool dry location away from children and pets.
 7. If storing the outdoor fire pit outdoors, cover the outdoor fire pit with a cover for protection from the weather.
 8. Store outdoor fire pit upright in an area sheltered from direct contact with inclement weather (such as rain, sleet, hail, snow, dust, debris and high winds).
 9. Place the protective cap cover on the LP tank and store the tank outdoors in a well ventilated area out of direct sunlight.

Product Registration

For faster warranty service, please register your product immediately. To register, email registration@mrbarbq.com with your name, address, phone number and copy of your receipt or call 1.888.398.8643.

Replacement Parts

For replacement parts, call 1.888.398.8643.

Limited Warranty

Mr. Bar-B-Q Products LLC warrants to the original retail purchaser of this product, and to no other person, that if this product is assembled, maintained, and operated in accordance with the printed instructions accompanying it, then for a period of one (1) year from the date of purchase, all parts in such product shall be free from defects in material and workmanship. Mr. Bar-B-Q Products LLC may require reasonable proof of your date of purchase. Therefore, you should retain your sales slip or invoice. This Limited Warranty shall be limited to the repair or replacement of parts, which prove defective under normal use and service and which Mr. Bar-B-Q Products LLC shall determine in its reasonable discretion upon examination to be defective. Before returning any parts, you should contact Mr. Bar-B-Q Products LLC Customer Care Department using the contact information listed below. If Mr. Bar-B-Q Products LLC confirms, after examination, a defect covered by this Limited Warranty in any returned part, and if Mr. Bar-B-Q Products LLC approves the claim, Mr. Bar-B-Q Products LLC will replace such defective part without charge. If you return defective parts, transportation charges must be prepaid by you. Mr. Bar-B-Q Products LLC will return replacement parts to the original retail purchaser, freight or postage prepaid.

This Limited Warranty does not cover any failures or operating difficulties due to accident, abuse, misuse, alteration, misapplication, improper installation or improper maintenance or service by you or any third party, or failure to perform normal and routine maintenance on the product as set out in this owner's manual. In addition, the Limited Warranty does not cover damage to the finish, such as scratches, dents, discoloration, rust or other weather damage, after purchase.

This Limited Warranty is in lieu of all other express warranties. Mr. Bar-B-Q Products LLC disclaims all warranties for products that are purchased from sellers other than authorized retailers or distributors, including the warranty of merchantability or the warranty of fitness for a particular purpose. Mr. Bar-B-Q Products LLC ALSO DISCLAIMS ANY AND ALL IMPLIED WARRANTIES, INCLUDING WITHOUT LIMITATION THE IMPLIED WARRANTIES OF MERCHANTABILITY AND FITNESS FOR A PARTICULAR PURPOSE. Mr. Bar-B-Q Products LLC SHALL HAVE NO LIABILITY TO PURCHASER OR ANY THIRD PARTY FOR ANY SPECIAL, INDIRECT, PUNITIVE, INCIDENTAL, OR CONSEQUENTIAL DAMAGES. Mr. Bar-B-Q Products LLC further disclaims any implied or express warranty of, and assumes no responsibility for, defects in workmanship caused by third parties.

This Limited Warranty gives the purchaser specific legal rights; a purchaser may have other rights depending upon where he or she lives. Some jurisdictions do not allow the exclusion or limitation of special, incidental or consequential damages, or limitations on how long a warranty lasts, so the above exclusion and limitations may not apply to everyone.

Mr. Bar-B-Q Products LLC does not authorize any person or company to assume for it any other obligation or liability in connection with the sale, installation, use, removal, return, or replacement of its equipment, and no such representations are binding on Mr. Bar-B-Q Products LLC.

Mr. Bar-B-Q Products LLC
 10 Hub Dr., Ste 101, Melville, NY 11747 USA
 1.888.398.8643

Specifications

Upper Burner

Certifications:

ANS Z21.97 • CSA 2.41- 2017

Rating:

Maximum 30,000 BTU/hr. input

Fuel:

Liquid Propane Gas (LP)

Tank Size:

Nominal 20 lb / 5 Gallon

Inlet Gas Supply Pressure:

Maximum – 11.00 in. W.C.

Minimum – 11.00 in. W.C.

Manifold Pressure:

11.00 in. W.C.

Safety Features:

100% Burner shut-off

Thermocouple

Manufacturer:

Mr. Bar-B-Q Products LLC

Made In:

China

Lower Burner

Certifications:

ANS Z83.26 • CSA 2.37 - 2017

Rating:

Maximum 11,000 BTU/hr. input

Heat Range:

Up to 20 foot diameter

Fuel:

Liquid Propane Gas (LP)

Tank Size:

Nominal 20 lb / 5 Gallon

Inlet Gas Supply Pressure:

Maximum – 150 PSI

Minimum – 5 PSI

Manifold Pressure:

11.00 in. W.C.

Engine:

IPP E1

Safety Features:

100% Burner shut-off

Magnetic valve

Manufacturer:

Mr. Bar-B-Q Products LLC

Made In:

China

Troubleshooting - Upper Burner

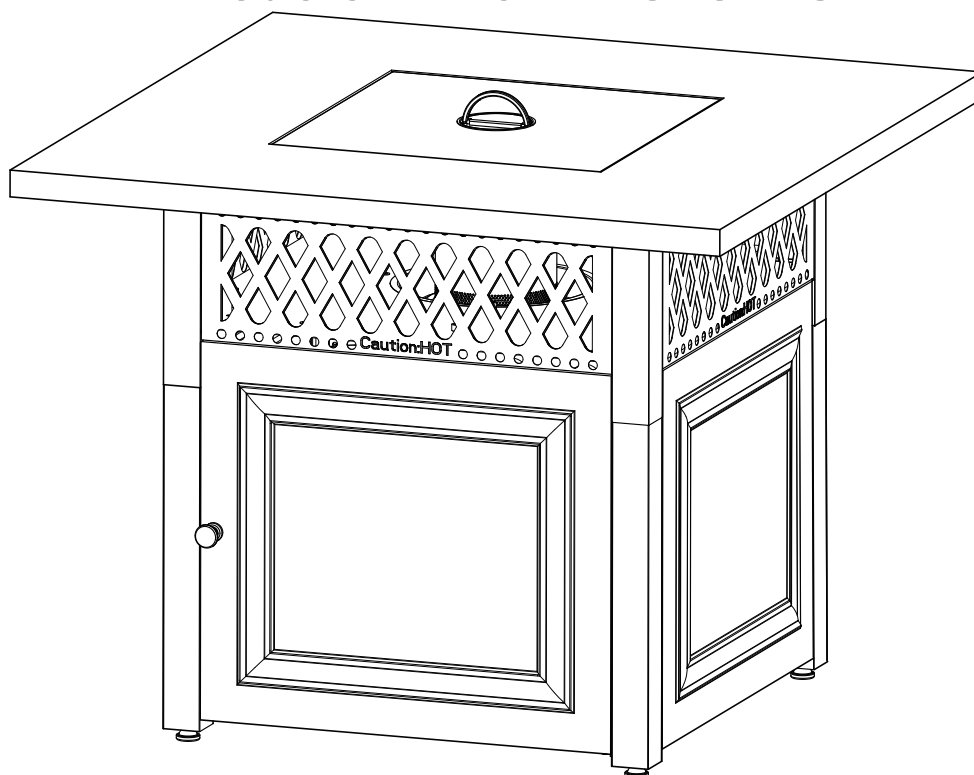
Problem	Possible Cause	Prevention/Cure
Burner will not light using igniter	LP gas tank valve is closed	Make sure regulator is securely attached to the LP gas tank per "Installing LP Gas Tank," then turn LP gas tank valve to "OPEN."
	LP gas tank is low or empty	Exchange, refill or replace LP gas tank
	LP gas leak	<ol style="list-style-type: none"> Turn LP gas tank valve to "CLOSED" Wait 5 minutes for gas to clear Follow "Checking for Leaks" section
	Battery needs to be changed	Replace the "AA" battery (follow assembly step for inserting battery)
	Electrode and burners are wet	Wipe dry with cloth
	Electrode cracked or broken - sparks at crack	Replacement part(s) may be needed - contact Customer Care at 888.398.8643
	Wire loose or disconnected	Reconnect wire or replacement part(s) may be needed - contact Customer Care at 888.398.8643
	Wire is shorting (sparking) between igniter and electrode	Replacement part(s) may be needed - contact Customer Care at 888.398.8643
	Thermocouple is not operating correctly	<ol style="list-style-type: none"> Disconnect LP Gas tank per "Disconnect LP Gas Tank" section. Clean area around thermocouple. Connect LP gas tank per "Connect LP Gas Tank" section. Relight per "Lighting" section. If the outdoor fire pit is still not working, please contact Customer Care at 888.398.8643 for additional assistance.
Bad igniter	Replacement part(s) may be needed - contact Customer Care at 888.398.8643	
Burner will not light with match	No gas flow	Check if LP gas tank is empty <ol style="list-style-type: none"> If empty, exchange, refill or replace LP gas tank If LP gas tank is not empty, refer to "Sudden drop in gas flow or reduced flame height" (see below)
	LP gas tank is low or empty	Exchange, refill or replace LP gas tank
	LP gas leak	<ol style="list-style-type: none"> Turn LP gas tank valve to "CLOSED" Wait 5 minutes for gas to clear Follow "Checking for Leaks" section
	Coupling nut and regulator not fully connected	Turn the coupling nut about one-half to three-quarters additional turn until solid stop. Tighten by hand only - do NOT use tools
	Obstruction of gas flow	<ol style="list-style-type: none"> Clear burner/venturi tube Check for bent or kinked hose
	Disengagement of burner to valve	Re-engage burner and valve
	Spider webs or insect nest in burner/venturi tube	Clean burner/venturi tube
	Thermocouple is not operating correctly	<ol style="list-style-type: none"> Disconnect LP Gas tank per "Disconnect LP Gas Tank" section. Clean area around thermocouple. Connect LP gas tank per "Connect LP Gas Tank" section. Relight per "Lighting" section. If the outdoor fire pit is still not working, please contact Customer Care at 888.398.8643 for additional assistance.
Burner ports clogged or blocked	Clean burner ports	
Sudden drop in gas flow or reduced flame height	Out of gas	Exchange, refill or replace LP gas tank
	Overfilling prevention device may have been activated	<ol style="list-style-type: none"> Turn control knob to "OFF" Wait 30 seconds and light outdoor fire pit per "Lighting" section If flames are still too low, reset the overfilling prevention device: <ol style="list-style-type: none"> Turn control knob(s) "OFF" Turn LP gas tank valve to "CLOSED" Disconnect regulator Turn control knobs to HIGH Wait one minute Turn control knobs to "OFF" Reconnect regulator and leak check connections, being careful not to fully open valve Light outdoor fire pit per "Lighting" section
Irregular flame pattern, flame does not run the full length of burner	Burner ports are clogged or blocked	Clean burner ports
Flame is yellow or orange	New burner may have residual manufacturing oils	Burn outdoor fire pit for 15 minutes and reinspect
	Spider webs or insect nest in burner/venturi tube	Clean burner/venturi tube
	Poor alignment of valve to burner/venturi tube	Ensure burner/venturi tube is properly engaged with valve
Flame goes out	High or gusting winds	Do not use outdoor fire pit in high winds
	Low on LP gas	Exchange, refill or replace LP gas tank
	Excess flow valve tripped	Refer to "Sudden drop in gas flow or reduced flame height"
	Thermocouple is not operating correctly	<ol style="list-style-type: none"> Disconnect LP Gas tank per "Disconnect LP Gas Tank" section. Clean area around thermocouple. Connect LP gas tank per "Connect LP Gas Tank" section. Relight per "Lighting" section. If the outdoor fire pit is still not working, please contact Customer Care at 888.398.8643 for additional assistance.
Flashback (fire in venturi/burner tube(s))	Burner and/or burner/venturi tube is blocked	Clean burner and/or burner/venturi tube
Flame seems to lose heat when burning in cold weather - temperature below 50°F	Ice has built up on the outside of the LP gas tank because the vaporization process is too slow	<ol style="list-style-type: none"> Turn off per "Turning Off" section Replace with a spare LP gas tank Reconnect LP gas tank per "Installing LP Gas Tank" section Follow "Checking for Leaks" section Light outdoor fire pit per "Lighting" section

For assistance, please visit us at MrBarBQProducts.com or call 1.888.398.8643.

Troubleshooting - Lower Burner

Problem	Possible Cause	Prevention/Cure
Pilot won't light	LP gas tank valve is closed	Make sure regulator is securely attached to the LP gas tank per "Installing LP Gas Tank," then turn LP gas tank valve to "OPEN."
	LP gas tank is low or empty	Exchange, refill or replace LP gas tank
	LP gas leak	1. Turn LP gas tank valve to "CLOSED" 2. Wait 5 minutes for gas to clear 3. Follow "Checking for Leaks" section
	Battery needs to be changed	Replace the "AA" battery (follow assembly step for inserting battery)
	Igniter fails	Light the heater manually with a match, per the "Lighting Instructions." If heater lights with a match, replace igniter - contact Customer Care at 888.398.8643.
	Blockage in pilot or orifice	Clean the pilot assembly: Download and follow the correct cleaning instructions from BlueRhino.com.
	Air in gas line	1. Open gas line and bleed it (pressing control knob in) for not more than 1 - 2 minutes or until you smell gas 2. Turn control knob to "OFF" 3. Wait at least 5 minutes for gas to dissipate 4. Light per "Lighting" section.
Burner won't light Note: Burner operates at reduced efficiency below 40°F (5°C).	Control knob is NOT in an ON position	Review "Lighting" section and try again
	Control knob IS in an ON position	Review "Lighting" section and try again
	LP gas tank is low or empty	Exchange, refill or replace LP gas tank
	LP gas leak	1. Turn LP gas tank valve to "CLOSED" 2. Wait 5 minutes for gas to clear 3. Follow "Checking for Leaks" section
	Blockage in orifice	Clear blockage: Download and follow the correct cleaning instructions from BlueRhino.com
	Connection between gas valve and burner assembly is loose	1. Turn off heater per "Turning Off" section. 2. Disconnect LP gas tank per "Disconnecting LP Gas Tank" section. 3. Tighten connection. 4. Perform leak check per "Checking for Leaks" instructions. 5. Light per "Lighting" section.
	Thermocouple is not operating correctly	1. Disconnect LP Gas tank per "Disconnect LP Gas Tank" section. 2. Clean area around thermocouple. 3. Connect LP gas tank per "Connect LP Gas Tank" section. 4. Relight per "Lighting" section. 5. If the outdoor fire pit is still not working, please contact Customer Care at 888.398.8643 for additional assistance.
Air in gas line	1. Open gas line and bleed it (pressing control knob in) for not more than 1 - 2 minutes or until you smell gas. 2. Wait 5 minutes for gas to clear 3. Follow "Checking for Leaks" section	
Pilot won't stay lit Note: Heater operates at reduced efficiency below 40°F (5°C).	Dirt built up around pilot	Clean the pilot assembly: Download and follow the correct cleaning instructions from BlueRhino.com.
	Connection between gas valve and pilot assembly is loose	1. Turn off heater per "Turning Off" section. 2. Disconnect LP gas tank per "Disconnecting LP Gas Tank" section. 3. Tighten connection. 4. Perform leak check per "Checking for Leaks" section. 5. Light per "Lighting" section.
	Air in gas line	Open gas line and bleed it (pressing control knob in) for not more than 1 - 2 minutes or until you smell gas.
	Thermocouple is not operating correctly	1. Disconnect LP Gas tank per "Disconnect LP Gas Tank" section. 2. Clean area around thermocouple. 3. Connect LP gas tank per "Connect LP Gas Tank" section. 4. Relight per "Lighting" section. 5. If the outdoor fire pit is still not working, please contact Customer Care at 888.398.8643 for additional assistance.
Burner won't stay lit	Connection between gas valve and burner assembly is loose	Tighten connection and perform leak check.
	Thermocouple is not operating correctly	1. Disconnect LP Gas tank per "Disconnect LP Gas Tank" section. 2. Clean area around thermocouple. 3. Connect LP gas tank per "Connect LP Gas Tank" section. 4. Relight per "Lighting" section. 5. If the outdoor fire pit is still not working, please contact Customer Care at 888.398.8643 for additional assistance.
	Blockage in burner	1. Turn off heater per "Turning Off" instructions. 2. Remove blockage and clean burner inside and outside: Download and follow the correct cleaning instructions from BlueRhino.com 3. If the heater is still not working, replacement part(s) may be needed - contact Customer Care at 888.398.8643
Burner flame is low Note: Heater operates at reduced efficiency below 40°F (5°C).	LP gas tank is low or empty	Exchange, refill or replace LP gas tank
	Outdoor temperature is less than 40°F and tank is less than 1/4 full	1. Turn off heater per "Turning Off" section. 2. Connect a full LP Gas Tank per "Connecting LP Gas Tank" section.
	Supply hose is bent or kinked	1. Turn off heater per "Turning Off" section. 2. Straighten hose. If cracked obtain a new hose from the manufacturer - contact Customer Care at 888.398.8643
Emitter glows uneven Note: Bottom 1 in of emitter normally does NOT glow.	LP gas tank is low or empty	Exchange, refill or replace LP gas tank
	Base is not on a level surface	Place heater on a level surface
	Blockage in burner	1. Turn off heater per "Turning Off" section. 2. When cool, remove blockage and clean burner inside and outside. 3. Download and follow the correct cleaning instructions from BlueRhino.com.
Thick black smoke	Blockage in burner	1. Turn off heater per "Turning Off" section. 2. When cool, remove blockage and clean burner inside and outside. 3. Download and follow the correct cleaning instructions from BlueRhino.com.

Foyer d'extérieur au propane avec DUALHEAT™ «Donovan» Modèle n° : GAD19102ES



AVERTISSEMENT
POUR USAGE A L'EXTERIEUR SEULEMENT.

⚠ L'installation et l'entretien de cet appareil doivent être effectués par un installateur qualifié, un service de réparation agréé ou votre fournisseur de bouteilles de gaz.

AVERTISSEMENT
POUR VOTRE SÉCURITÉ:

⚠ Le non-respect des consignes contenues dans ce manuel risque de provoquer un incendie ou une explosion et d'entraîner des dégâts matériels, des blessures graves voire la mort.

⚠ QUE FAIRE EN CAS D'ODEUR DE GAZ:

- Ne tenter en aucun cas d'allumer un appareil quelconque.
- Ne pas toucher d'interrupteur électrique; ne pas téléphoner en utilisant un téléphone de votre bâtiment.
- Appeler immédiatement votre fournisseur de bouteilles de gaz en utilisant le téléphone d'un voisin habitant dans un autre bâtiment.
- Suivre les instructions du fournisseur de bouteilles de gaz.
- Si le fournisseur de bouteilles de gaz est injoignable, appeler les pompiers.

⚠ Non destiné à la cuisson.

AVERTISSEMENT

⚠ INSTALLATEUR : Laisser ce manuel avec l'appareil.

⚠ UTILISATEUR : Conserver ce manuel afin de pouvoir le consulter ultérieurement.

AVERTISSEMENT
POUR VOTRE SÉCURITÉ:

1. Une installation, un réglage, une modification, une réparation ou un entretien inapproprié peut être la cause de blessures ou de dégâts matériels.
2. Veuillez lire attentivement les instructions d'installation, d'utilisation et d'entretien avant d'installer ou de réparer ce matériel.

DANGER
RISQUE D'INCENDIE ET D'EXPLOSION

En cas d'odeur de gaz :

- Couper l'arrivée de gaz de l'appareil.
- Éteindre toute flamme nue.
- Si l'odeur persiste, s'éloigner immédiatement de l'appareil et de l'endroit où il se trouve.
- Après s'être éloigné de l'endroit où se trouve l'appareil, appeler le fournisseur de gaz ou le service d'incendie.

Le non-respect des ces consignes risque de provoquer un incendie ou une explosion et d'entraîner des dégâts matériels, des blessures graves ou la mort.

AVERTISSEMENT
POUR VOTRE SÉCURITÉ :

1. Ne pas entreposer ni utiliser de l'essence ni d'autres vapeurs ou liquides inflammables dans le voisinage de l'appareil, ni de tout autre appareil.
2. Une bouteille de propane qui n'est pas raccordée en vue de son utilisation, ne doit pas être entreposée dans le voisinage de cet appareil ou de tout autre appareil.

DANGER

Ne jamais laisser cet appareil allumé sans surveillance.

DANGER



MONOXYDE DE CARBONE

- Cette appareil peut produire du monoxyde de carbone, un gaz inodore.
- L'utilisation de cet appareil dans des espaces clos peut entraîner la mort.
- Ne jamais utiliser cet appareil dans un espace clos comme un véhicule de camping, une tente, une automobile ou une maison.

Table des matières

Mises en garde importantes	Page 2
Vue éclatée des pièces et quincaillerie	5
Instructions d'assemblage	6
Installer la bouteille de propane	9
Fonctionnement	10
Nettoyage et entretien	11
Enregistrement de l'appareil	11
Pièces de rechange	12
Garantie limitée	12
Caractéristiques techniques	12
Guide de dépannage	13

L'utilisation et l'installation de cet appareil doivent être conformes aux codes locaux. En l'absence de codes locaux, suivre la dernière édition du National Fuel Gas Code (Code national de gaz combustible), les normes ANSI Z223.1/NFPA 54, ou le International Fuel Gas Code (Code international de gaz combustible). Cet appareil doit être mis à la terre conformément aux codes locaux ou en l'absence de codes locaux suivre le National Electrical Code (Code électrique national) et la norme ANSI/NFPA 70 selon le cas.

Pour une installation au Canada, ces instructions, bien qu'en général acceptables, risquent de ne pas être conformes aux codes d'installation canadiens surtout en matière de tuyauterie en surface ou dans le sol. Au Canada, l'installation de cet appareil doit être conforme aux codes locaux et/ou à la norme canadienne CAN/CGA B149.1 (code d'installation pour appareils et équipements au propane).

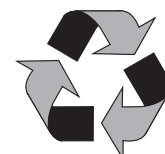
CE MANUEL CONTIENT DE L'INFORMATION IMPORTANTE CONCERNANT LA SÉCURITÉ. CONSERVEZ CE MANUEL POUR CONSULTATION FUTURE.

Si vous êtes en train d'assembler cet appareil pour quelqu'un d'autre, veuillez lui remettre ce manuel pour qu'il puisse le lire et le conserver pour consultation future.

⚠ **AVERTISSEMENT** : Ce produit peut vous exposer à des substances chimiques, y compris du monoxyde de carbone, de la suie, du phtalate de diisononyle (DINP), du plomb et les constituants du plomb, reconnus par l'État de la Californie comme pouvant causer le cancer, des malformations congénitales et avoir d'autres effets néfastes sur l'appareil reproducteur. **Se laver les mains après avoir manipuler le produit.** Pour de plus amples renseignements, voir www.P65Warnings.ca.gov.



Brevets en instance
Fabriqué en Chine pour : Mr. Bar-B-Q Products LLC
10 Hub Dr., Ste 101, Melville, NY 11747 États-Unis • 1.888.398.8643 • MrBarBQProducts.com
© Mr. Bar-B-Q Products LLC
Endless Summer® est une marque déposée de Mr. Bar-B-Q Products LLC.



Fabriqué à partir de 75% de bagasse de canne à sucre (résidu de pulpe de canne à sucre sans danger pour l'environnement)

Mises en garde importantes

⚠ DANGER – Gaz inflammable sous pression. Une fuite de GPL peut causer un incendie ou une explosion si enflammée entraînant des blessures corporelles graves ou la mort. Communiquer avec le fournisseur de GPL pour les réparations ou pour disposer de cette bouteille ou du GPL non utilisé.

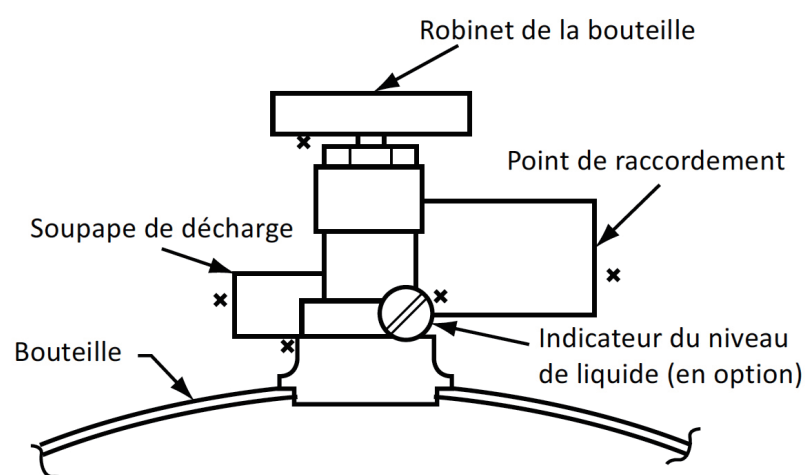
⚠ Avertissement – Pour usage à l'extérieur seulement. *Ne pas utiliser ni entreposer la bouteille dans un bâtiment, un garage ou un endroit fermé.

⚠ Avertissement :

- Apprenez à reconnaître l'odeur du GPL. Si vous entendez, voyez ou sentez une fuite de GPL, éloignez immédiatement toutes les personnes de la bouteille et appelez le service d'incendie. Ne tentez aucune réparation.
- Avertissement pour le fournisseur de GPL :
 - Assurez-vous que la bouteille a été purgée de tout l'air avant de procéder au remplissage initial.
 - Assurez-vous de ne pas trop remplir la bouteille.
 - Assurez-vous que la date de requalification de la bouteille a été vérifiée.
- Le contact avec le contenu liquide de la bouteille peut causer des brûlures à la peau par le froid.
- Ne pas permettre aux enfants de jouer avec la bouteille.
- Si la bouteille n'est pas raccordée pour utilisation, s'assurer que le robinet est fermé. Les bouteilles des appareils autonomes de cuisson en plein air doivent être limitées à une capacité d'au plus 30 lb.
- Ne pas utiliser, entreposer ni transporter une bouteille si elle risque d'être exposée à des températures élevées. La soupape de décharge pourrait s'ouvrir et libérer une grande quantité de gaz inflammable.
- Lors du transport, sécuriser la bouteille en position debout et s'assurer que le robinet est fermé.

Lors du raccordement pour utilisation :

- Utilisez uniquement conformément aux codes en vigueur.
- Lisez et suivez les instructions du fabricant.
- Consultez les instructions du fabricant visant le raccordement de la bouteille fournie avec l'appareil.
- Assurez-vous que l'évent du régulateur n'est pas dirigé vers le haut.
- Fermez tous les robinets sur l'appareil.
- Ne pas utiliser d'allumette ou de flamme nue pour vérifier la présence d'une fuite de gaz. Appliquez une solution d'eau savonneuse sur les zones marquées d'un « X ». Ouvrir le robinet de la bouteille. Si des bulles se forment, fermez le robinet et demandez à une personne qualifiée pour l'entretien d'appareils au GPL de faire les réparations requises. Avant d'allumer l'appareil, vérifiez aussi les robinets et les raccordements de l'appareil afin de vous assurer qu'il n'y a pas de fuite.
- Allumez l'appareil selon les instructions du fabricant.
- Lorsque vous n'utilisez pas l'appareil, gardez le robinet de la bouteille fermé.



NE PAS RETIRER, BARBOUILLER OU EFFACER CETTE ÉTIQUETTE
***SAUF DANS LES CAS PERMIS SELON LES NORMES L'ANSI/NFPA 58 ou la CSA B149.2**

⚠ DANGER. Ne pas entreposer une bouteille de GPL sous l'appareil ou à proximité de celui-ci de toute source de chaleur.
Ne jamais remplir une bouteille de GPL à plus de 80 % de sa capacité : un incendie causant la mort ou des blessures graves peut se produire.

- ▲ **DANGER** : Le non-respect des avis de danger, des mises en garde et des consignes de sécurité de ce manuel risque de provoquer un incendie ou une explosion et d'entraîner des dégâts matériels, des blessures graves voire la mort.
- ▲ **MISES EN GARDE** :
- ▲ **NE PAS** utiliser ce foyer d'extérieur avant de lire toutes les instructions de ce manuel d'utilisation.
- ▲ Cet appareil doit être utilisé uniquement à l'extérieur et **NE** doit **PAS** être utilisé dans un immeuble, un garage ou tout autre espace clos.
- ▲ **NE PAS** utiliser ou allumer cet appareil à moins de 3,05 m de tout mur, construction ou immeuble.
- ▲ Pour usage domestique seulement. Ce foyer d'extérieur **N'est PAS** destiné à un usage commercial.
- ▲ **NE PAS** utiliser le foyer pour se chauffer ou pour cuisiner à l'intérieur. Des émanations **TOXIQUES** de monoxyde de carbone peuvent s'accumuler et provoquer l'asphyxie.
- ▲ Ce foyer d'extérieur a été homologué uniquement pour être utilisé aux États-Unis et/ou au Canada en toute sécurité. **NE PAS** modifier ce foyer d'extérieur afin de pouvoir l'utiliser autre part. Toute modification ou altération présentera un danger de fonctionnement et entraînera l'annulation de la garantie.
- ▲ **Avis aux personnes habitant en appartements** : Vérifier auprès de la gérance pour connaître les conditions requises, la réglementation et le code de prévention des incendies de votre complexe d'habitations collectives concernant l'utilisation de ce foyer d'extérieur au propane. Si permis, utiliser le foyer en le posant au sol en laissant une distance de sécurité de 3 m (10 pieds) entre le foyer et toute structure. **NE PAS** utiliser sur ou sous un balcon.
- ▲ Ce foyer d'extérieur doit être utilisé uniquement avec du propane liquide (GPL). Toute utilisation de gaz naturel avec ce foyer d'extérieur ou tentative de conversion au gaz naturel de ce foyer d'extérieur est dangereuse et entraînera l'annulation de la garantie.
- ▲ **Caractéristiques du propane (GPL)** :
- Le propane est un gaz inflammable et dangereux si ce dernier n'est pas manipulé correctement. Il est indispensable de connaître les dangers encourus avant d'utiliser tout appareil fonctionnant au propane.
 - Le propane, qui risque d'exploser sous pression, est plus lourd que l'air, se dépose et demeure au sol.
 - Le propane à l'état naturel est inodore. Pour votre sécurité, un odorisant ayant l'odeur de choux avariés a été ajouté.
 - Tout contact du propane avec la peau risque d'entraîner des engelures.
- ▲ Il est nécessaire de brancher une bouteille de propane pour faire fonctionner le foyer d'extérieur. Seules les bouteilles marquées «propane» peuvent être utilisées.
- La bouteille de propane doit être fabriquée, marquée et mise en service conformément à la *Réglementation sur les bouteilles de gaz de pétrole liquéfié établie par le Ministère des transports des États-Unis (DOT) ou répondre à la Norme nationale du Canada, CAN/CSA-B339 sur les bouteilles, sphères et tubes destinés au transport de produits dangereux et la commission.*
 - La bouteille de propane doit être placée afin de permettre l'extraction des vapeurs de gaz.
 - La bouteille de propane doit être équipée d'un système d'arrêt volumétrique (OPD) empêchant tout remplissage excessif et d'un raccord rapide QCCI ou d'un raccord de Type 1 (CGA810) pour le branchement de la bouteille de propane.
 - La bouteille de propane doit posséder un col afin de protéger le robinet et la valve de la bouteille.
 - Ne jamais utiliser une bouteille de propane si le corps, la valve, le robinet, le col ou le socle sont endommagés.
 - Toute bouteille bosselée ou présentant des traces de rouille risque d'être dangereuse et devrait être vérifiée par votre fournisseur avant de l'utiliser.
 - Ne pas laisser tomber la bouteille ni la manipuler brusquement ou brutalement!
- Les bouteilles de gaz doivent être entreposées à l'extérieur, hors de la portée des enfants et ne doivent pas être entreposées dans un bâtiment, un garage ou dans tout autre lieu fermé. Les bouteilles de gaz ne doivent jamais être entreposées dans un endroit où la température risque de dépasser 51,6°C (125°F)!
 - NE PAS** introduire d'outil ni de corps étranger dans la sortie du robinet de la bouteille de gaz ni dans la soupape de sécurité. Vous risquez d'endommager la soupape et de provoquer une fuite. Toute fuite de propane risque de provoquer une explosion ou un incendie et d'entraîner des blessures graves voire la mort.
 - Ne jamais garder une bouteille de propane pleine dans une voiture ou dans le coffre d'une voiture sous une forte chaleur. La chaleur peut provoquer une augmentation de la pression du gaz, pouvant provoquer l'ouverture de la soupape de sécurité et lui permettre de s'échapper.
 - Mettre un bouchon antipoussière sur la sortie du robinet de la bouteille lorsque la bouteille n'est pas utilisée. Installer uniquement le bouchon antipoussière sur la sortie du robinet de la bouteille de gaz qui est fourni avec le robinet de la bouteille. L'emploi d'autres types de bouchons risque d'entraîner une fuite de propane.
 - NE PAS** entreposer une bouteille de propane de rechange sous ou à proximité de cet appareil.
 - Ne jamais remplir la bouteille de propane à plus de 80% de sa capacité.
 - Les consignes ci-dessus doivent être strictement respectées et le non respect de ces consignes risque de provoquer un incendie et d'entraîner des dégâts matériels ou des blessures graves.
- ▲ Votre foyer d'extérieur a été vérifié en usine afin de s'assurer que les raccords ne présentent aucune fuite. Vérifier à nouveau tous les raccords en suivant les instructions du chapitre « Fonctionnement » du manuel car il est possible qu'ils se soient desserrés lors du transport.
- ▲ Vérifier que l'appareil ne présente aucune fuite même si ce dernier a été assemblé pour vous par quelqu'un d'autre.
- ▲ **NE PAS** utiliser le foyer d'extérieur en cas de fuite de gaz. Toute fuite de gaz risque de provoquer un incendie ou une explosion.
- ▲ Il est obligatoire de suivre toutes les procédures de détection de fuite avant d'utiliser cet appareil. Afin d'éviter tout risque d'incendie et d'explosion lorsque l'on recherche une fuite :
- Vérifier que le circuit ne présente pas de fuite en effectuant un « test d'étanchéité » avant d'allumer le foyer d'extérieur à chaque fois que la bouteille de gaz est branchée afin de l'utiliser.
 - Interdiction de fumer. **NE PAS** utiliser ni laisser de sources d'ignition à proximité du foyer d'extérieur lorsque l'on recherche une fuite.
 - Effectuer le test d'étanchéité en plein air, dans un emplacement bien aéré.
 - NE PAS** utiliser d'allumettes, de briquets ou de flamme nue afin de rechercher une fuite.
 - La prise d'alcool, de médicaments ou de drogues risque de nuire à l'aptitude de l'utilisateur à assembler ou à utiliser cet appareil en toute sécurité.
 - La présence de fortes odeurs, ou si vous avez un rhume ou des sinus bouchés, risque de nuire à la détection d'une fuite de propane. Faites preuve de précaution et de bon sens lorsque vous effectuez un test d'étanchéité et recherchez une fuite.
 - NE PAS** utiliser le foyer d'extérieur avant d'avoir réparé toute les fuites. S'il s'avère impossible d'arrêter une fuite, débrancher la bouteille de propane. Contacter un réparateur ou votre fournisseur de bouteilles de propane.
- ▲ **NE PAS** utiliser ni entreposer d'essence ou de liquides aux vapeurs inflammables à moins de 7,62 m (25 pieds) de cet appareil.
- ▲ **NE PAS** utiliser le foyer d'extérieur en présence de vapeurs et émanations explosives. Veiller à ce que la zone autour du foyer d'extérieur demeure dégagée et dépourvue de matières combustibles, d'essence et d'autres liquides aux vapeurs inflammables.
- ▲ Ce foyer d'extérieur, **NE** doit **PAS** être utilisé par des enfants.

Mises en garde importantes (suite)

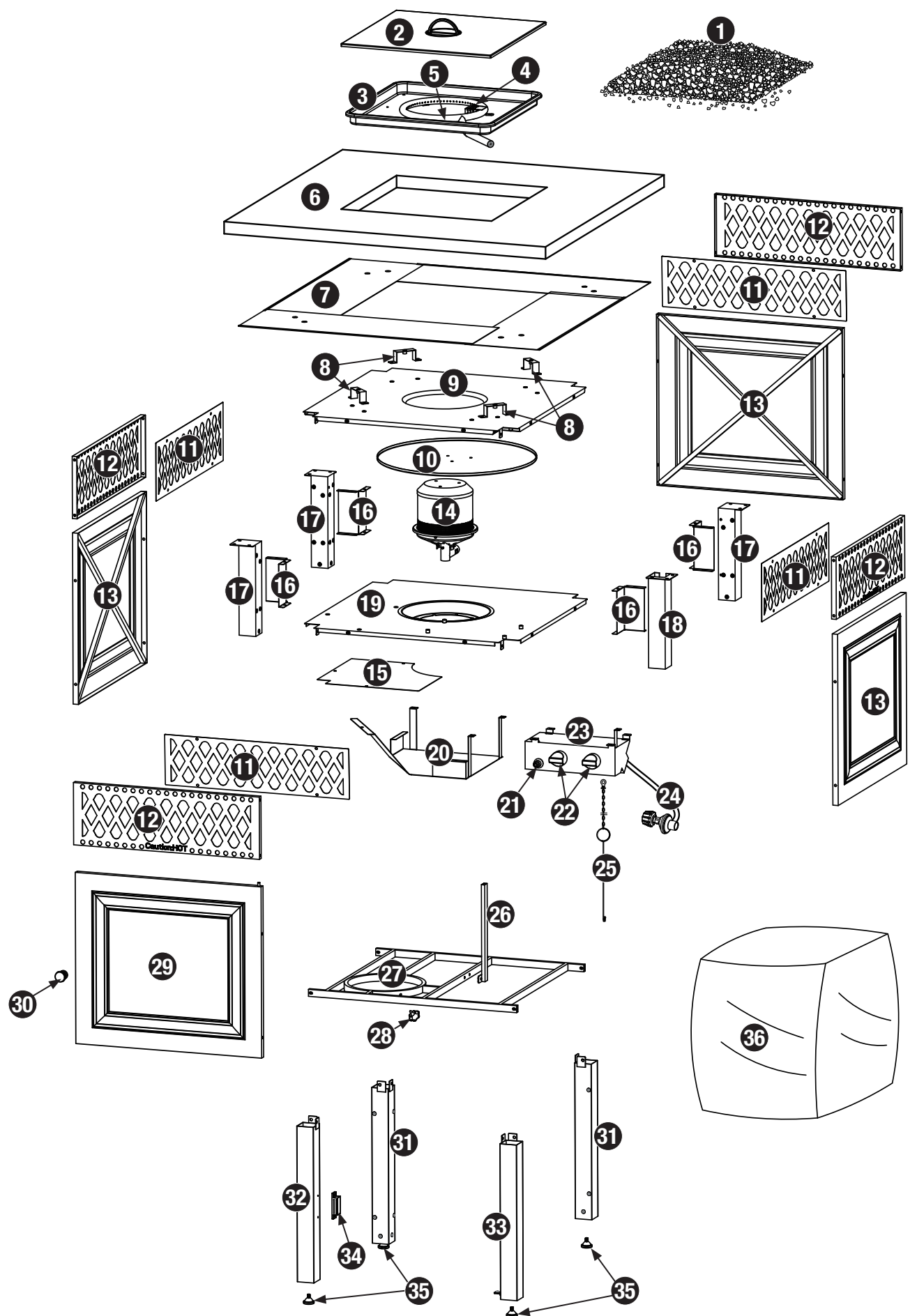
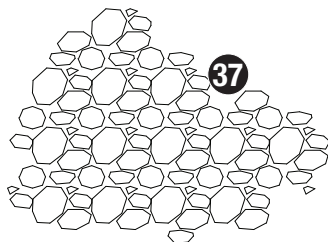
- ▲ NE PAS installer ni utiliser ce foyer d'extérieur à bord d'un bateau ou d'un véhicule récréatif.
- ▲ Ne pas raccorder à une alimentation en gaz éloignée.
- ▲ Ne jamais essayer de raccorder ce foyer d'extérieur au circuit de propane d'une caravane, autocaravane ou de votre maison.
- ▲ Veiller à toujours utiliser cet appareil conformément aux codes locaux, nationaux et de votre province. Contacter les pompiers et les services de lutte contre les incendies pour de plus amples informations concernant l'incinération à l'extérieur et la prévention des incendies.
- ▲ Faire preuve des mêmes précautions que s'il s'agissait d'un feu normal en plein air.
- ▲ NE PAS utiliser le foyer d'extérieur afin de brûler du bois, des briquettes de charbon de bois, du charbon, des bûches en bois d'aggloméré, du bois ayant séjourné dans l'eau, des ordures, des feuilles, du papier, du carton, du contreplaqué, du bois peint ou teint ou du bois imprégné sous pression
- ▲ Il est primordial que le compartiment de la valve du foyer d'extérieur, les brûleurs et les passages par où l'air circule demeurent propres. Vérifier le foyer d'extérieur avant chaque utilisation.
- ▲ NE PAS utiliser le foyer d'extérieur à moins qu'il ne soit COMPLÈTEMENT assemblé et que les pièces ne soient toutes fixées et serrées.
- ▲ NE PAS utiliser le foyer d'extérieur à proximité de voitures, de camions, de camionnettes ou de véhicules récréatifs.
- ▲ NE PAS utiliser le foyer d'extérieur sous un abri, une structure suspendue ou en saillie ou à proximité de toute construction combustible non-protégée. Éviter d'utiliser cet appareil à proximité d'arbres ou de buissons ou sous ces derniers.
- ▲ Placer toujours le foyer d'extérieur sur une surface plane, dure et non combustible telle que du béton ou de la pierre. Il est déconseillé de le placer sur de l'asphalte ou du bitume.
- ▲ NE PAS utiliser le foyer d'extérieur pour la cuisson.
- ▲ Ne pas utiliser cet appareil s'il a été plongé, même partiellement, dans l'eau. Appeler un technicien qualifié pour inspecter l'appareil et remplacer toute partie du système de commande et toute commande qui a été plongée dans l'eau.
- ▲ NE PAS porter de vêtements inflammables ou amples en utilisant le foyer d'extérieur.
- ▲ NE PAS utiliser le foyer d'extérieur s'il y a du vent.
- ▲ Ne jamais se pencher au-dessus du foyer d'extérieur pour l'allumer ou lorsqu'il est allumé.
- ▲ NE PAS utiliser le foyer d'extérieur à moins que le brûleur ne soit solidement fixé.
- ▲ Veiller à ce que les câbles et cordons électriques demeurent toujours loin du foyer d'extérieur lorsqu'il est en train de fonctionner.
- ▲ Certaines surfaces du foyer d'extérieur deviendront trop chaudes au toucher lorsqu'il est allumé. Pour éviter tout risque de brûlure, ne pas toucher le foyer d'extérieur avant qu'il n'ait complètement refroidi à moins de porter des gants de protection (gants, maniques isolantes, mitaines résistantes à la chaleur).
- ▲ NE JAMAIS laisser un foyer d'extérieur allumé sans surveillance surtout si des enfants ou des animaux domestiques et de compagnie se trouvent à proximité.
- ▲ Prévenir les enfants et les adultes du danger que présentent les surfaces brûlantes du foyer et ne pas les laisser demeurer à proximité afin d'éviter qu'ils ne se brûlent ou que leurs vêtements ne prennent feu.
- ▲ Surveiller attentivement les enfants lorsqu'ils se trouvent à proximité de l'appareil.
- ▲ NE PAS accrocher de vêtements ou d'articles inflammables sur l'appareil ou à proximité de l'appareil.
- ▲ Tout cache protecteur ou dispositif de protection ayant été retiré afin de procéder à une réparation ou à l'entretien de l'appareil doit être remis en place avant de mettre en marche l'appareil.
- ▲ Si l'appareil en possède une, la housse doit être retirée lorsque le brûleur est allumé.
- ▲ Si l'appareil en possède une, la partie centrale de la table doit être retirée avant d'allumer le brûleur et ne doit pas être remise en place tant que le brûleur est allumé.
- ▲ NE PAS essayer de déplacer le foyer d'extérieur quand il est allumé. Laisser le foyer d'extérieur complètement refroidir avant de le déplacer ou de le remiser.
- ▲ Ce foyer d'extérieur doit être vérifié et nettoyé en entier régulièrement.
- ▲ Ce foyer d'extérieur doit être vérifié au moins une fois par an par un réparateur qualifié. En fonction de la fréquence d'utilisation, l'appareil risquera de devoir être nettoyé plus souvent. NE PAS utiliser le foyer jusqu'à ce que toutes les pièces défectueuses aient été réparées ou remplacées.
- ▲ Utiliser uniquement le régulateur et le tuyau fournis. Utiliser uniquement le régulateur et le tuyau spécifiés par le Mr. Bar-B-Q Products LLC.
- ▲ Utiliser uniquement des pièces agréées de l'usine Mr. Bar-B-Q Products LLC. L'emploi de toute pièce non agréée peut être dangereux et entraînera l'annulation de la garantie.
- ▲ Utiliser uniquement des pierres de lave et de verre agréées de l'usine Mr. Bar-B-Q Products LLC. L'emploi de pierres de lave et de verre non agréées par l'usine peut être dangereux et entraînera l'annulation de la garantie.
- ▲ NE PAS utiliser cet appareil avant de lire le chapitre « Fonctionnement » de ce manuel.
- ▲ Le remisage du foyer d'extérieur à l'intérieur est autorisé seulement si la bouteille a été débranchée et retirée de l'appareil et correctement entreposée à l'extérieur.
- ▲ NE PAS tenter de débrancher le régulateur de gaz de la bouteille ou de débrancher une pièce quelconque de l'alimentation du gaz lorsque le foyer d'extérieur est allumé.
- ▲ Lorsque l'on n'utilise pas le foyer d'extérieur, fermer l'alimentation du gaz au niveau de la bouteille.
- ▲ MISE EN GARDE : Le régulateur de pression de gaz prévu avec cet appareil de cuisson à gaz pour l'extérieur doit être utilisé. Ce régulateur est réglé pour une pression de sortie de 11 pouces (28 cm) de colonne d'eau.
- ▲ La pression minimale d'alimentation en gaz de ce foyer d'extérieur pour la calibration initiale est de 11 po (27,9 cm) de colonne d'eau.
- ▲ La pression d'entrée maximum pour ce foyer d'extérieur est de 28 cm (11 po.) de colonne d'eau.
- ▲ Fermer le robinet de la bouteille de propane, débrancher le régulateur avant de tester la pression de la tuyauterie à une pression égale ou supérieure à ½ psi (3.5 kPa).
- ▲ NE PAS s'asseoir sur la surface carrelée du manteau du foyer ni sur toute autre pièce du foyer.
- ▲ NE rien jeter dans le feu lorsque l'appareil est allumé.
- ▲ Les pierres de verre ou de lave sont brûlantes. Gardez les enfants et les animaux de compagnie à une distance sécuritaire de cet appareil.
- ▲ L'ouverture du col de la bouteille devrait être orientée vers la porte pour faciliter l'accès.
- ▲ NE PAS entreposer de matières combustibles dans le compartiment inférieur du socle.
- ▲ Porter des gants de protection pour assembler cet article.
- ▲ NE PAS forcer les pièces les unes dans les autres afin d'éviter toute blessure et éviter d'endommager cet article.
- ▲ Les consignes ci-dessus doivent être strictement respectées et le non respect de ces consignes risque de provoquer des dégâts matériels ou d'entraîner des blessures graves voire la mort.

Liste des pièces

1	Pierres de verre couleur bronze	GLS-BRN
2	Couvercle de la table	58-23-817
3	Cuve*	58-24-161
4	Protège-veilleuse*	58-23-896
5	Brûleur*	58-24-162
6	Manteau*	58-24-163
7	Bouclier thermique A*	58-24-164
8	Supports*	58-24-165
9	Bouclier thermique B*	58-24-166
10	Coupole*	58-24-167
11	Bouclier thermique latéral (4)*	58-24-168
12	Panneau supérieur (4)	58-24-169
13	Panneau inférieur (3)	58-24-170
14	Partie inférieur du brûleur*	58-24-171
15	Bouclier thermique C*	58-24-172
16	Support du bouclier thermique latéral (4)*	58-24-173
17	Montant supérieur (3)*	58-24-174
18	Montant supérieur B*	58-24-175
19	Bouclier thermique inférieur*	58-24-178
20	Bouclier thermique de la bouteille de propane*	58-24-179
21	Capuchon de pile*	58-23-897
22	Bouton de commande (2)*	58-23-139
23	Control Panel Assembly*	58-24-180
24	Régulateur et tuyau*	58-24-181
25	Tige d'allumage	58-23-956
26	Barre de protection de la bouteille de propane	58-24-182
27	Socle*	58-24-183
28	Boulon de fixation de la bouteille de propane*	58-24-062
29	Porte*	58-24-184
30	Poignée de porte*	58-24-185
31	Pied A (2)	58-24-186
32	Pied B	58-24-187
33	Pied C	58-24-188
34	Aimant*	58-23-804
35	Patin (4)*	58-24-147
36	Housse	58-24-189
37	Pierres de lave (non requises et vendues séparément)**	58-24-190

* Pré-monté

▲ **ATTENTION : Utiliser uniquement des pierres de lave et de verre agréées de l'usine Mr. Bar-B-Q Products LLC. L'emploi de pierres de lave et de verre non agréées par l'usine peut être dangereux et entraînera l'annulation de la garantie.

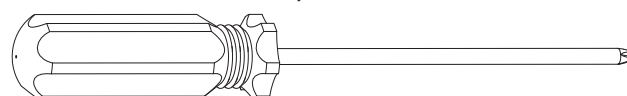
Vue éclatée

Articles vendus séparément

Quincaillerie

A	Vis	Nickelée, noire, à tête bombée Phillips, M5x12	22 pcs
B	Vis	Nickelée, noire, à épaulement M6x12	1 pc
C	Vis	Nickelée, noire, à tête bombée Phillips, M5X25	4 pcs
D	Vis	Nickelée, noire, à tête bombée Phillips, M4X8	1 pc
E	Pile AA		1 pc

Outils requis pour l'assemblage (non fournis)

Tournevis cruciforme Phillips n° 2

1 pc



Instructions d'assemblage

1

NE PAS RETOURNER AU MAGASIN AVEC CET ARTICLE.

Pour toute assistance technique, appelez le numéro sans frais **1.888.398.8643**. Faites en sorte que votre manuel d'utilisation et le numéro de série soient à portée de main afin de pouvoir vous y référer.

Pour faciliter l'assemblage:

1. Pour éviter de perdre des petites pièces ou la quincaillerie d'installation, assemblez cet article sur une surface plane qui ne comporte pas de trous ni de fissures.
2. Étalez toutes les pièces et la quincaillerie d'installation.
3. Serrez à la main toute les fixations et la visserie en premier. Une fois l'étape terminée, serrez-les complètement en veillant à ne pas trop les serrer afin d'éviter d'endommager la surface de l'appareil et de fausser le filetage.
4. Suivez toutes les étapes dans l'ordre afin d'assembler correctement cet article.

Pour effectuer l'assemblage, vous aurez besoin des choses suivantes:

- une (1) solution de détection de fuites (voir instructions sur la préparation de la solution au chapitre « Fonctionnement »).
- une (1) bouteille de propane liquide pour barbecue remplie avec précision avec raccord de robinet à filetage externe Acme de type 1 (barbecue taille standard) (non fournis).

Temps d'assemblage: environ une (1) heure.

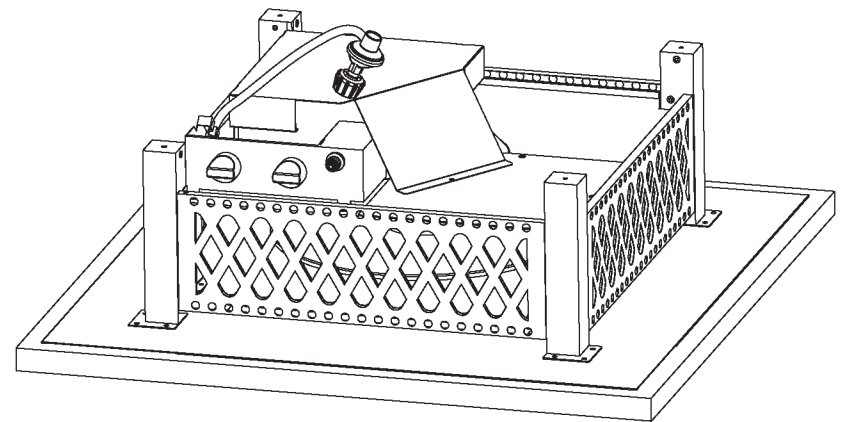
▲ ATTENTION : Il faut deux (2) personnes pour effectuer l'assemblage.

▲ AVERTISSEMENT : Tout défaut de placer les pièces selon ces schémas ou de n'utiliser que des pièces spécifiquement approuvées pour cet appareil peut causer des dommages matériels et des blessures.

2

Placer le foyer d'extérieur face vers le bas

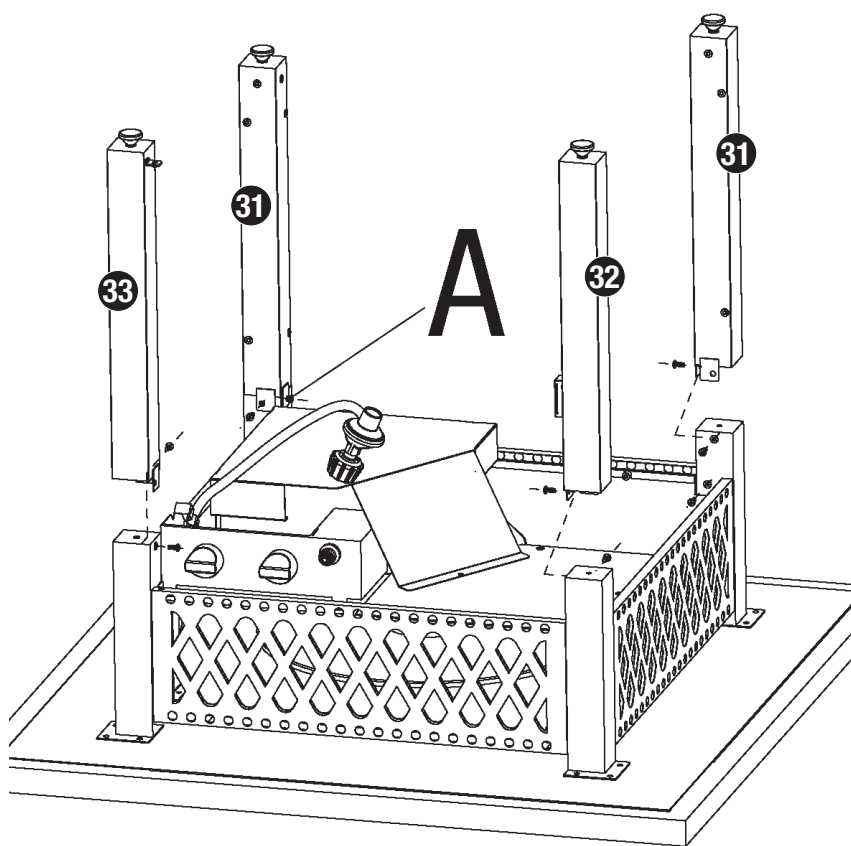
- ▲ ATTENTION : Il faudra deux (2) personnes pour remettre le foyer debout.**
- ▲ ATTENTION : Pour éviter toute égratignure, placer l'appareil sur une surface lisse qui ne présente pas de rayures ni de fentes.**

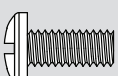


3

Fixer les pieds

Remarque : Ne serrez pas les vis complètement avant l'étape 5.

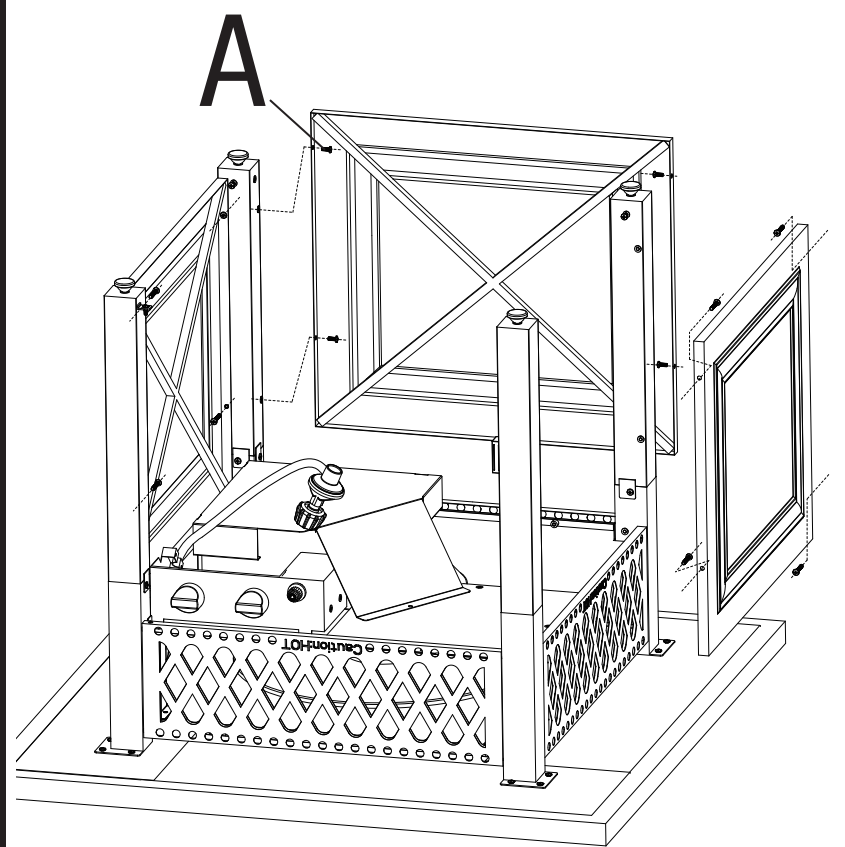


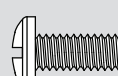
A  x 8

4

Fixer le panneau arrière et les panneaux latéraux

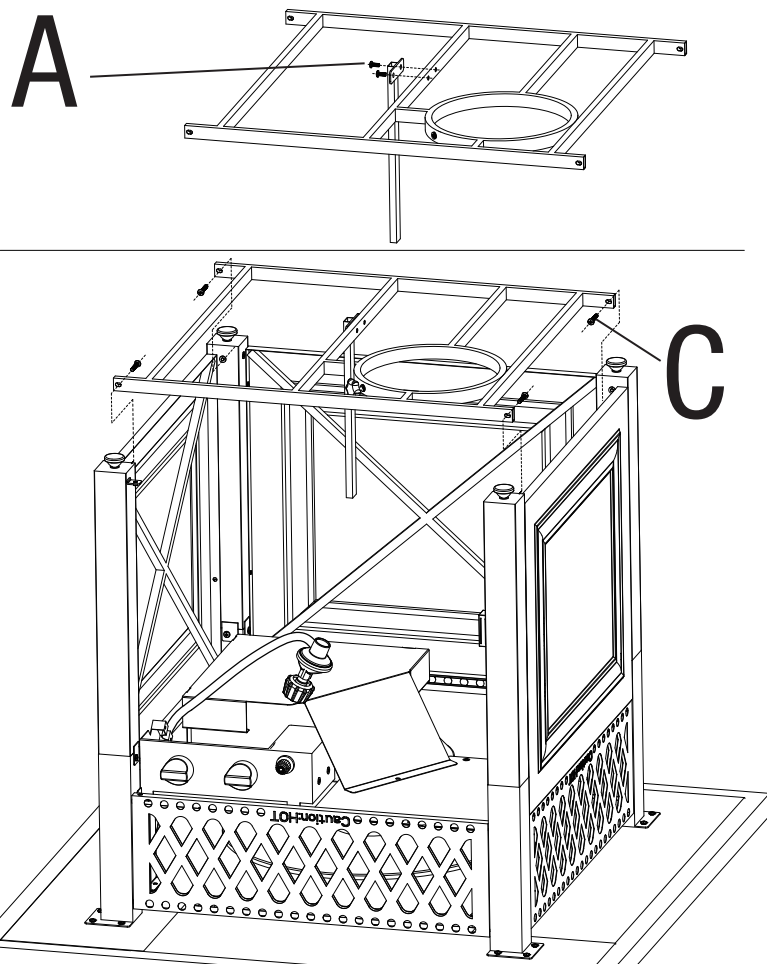
Remarque: Fixez les vis de fond avant de fixer les vis supérieures. Ne serrez pas les vis complètement avant l'étape 5.

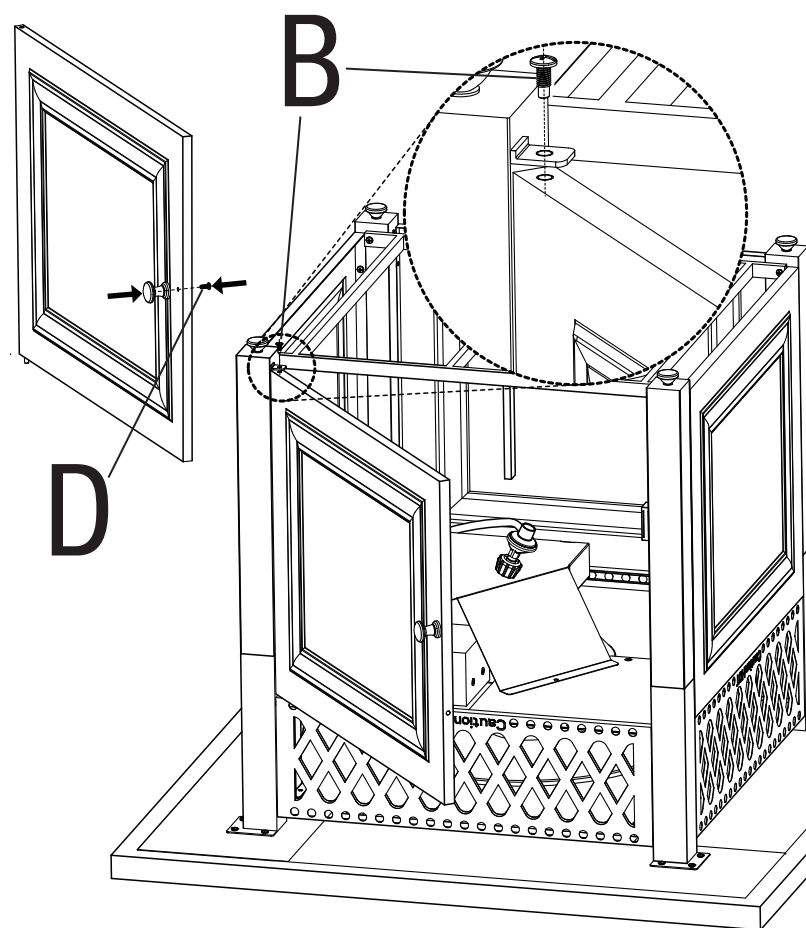
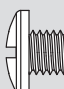
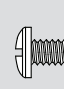


A  x 12

Instructions d'assemblage (suite)
5
Fixer la barre de protection de la bouteille de propane au socle puis fixer le socle

Remarque : Serrer les vis des étapes 2 à 5.

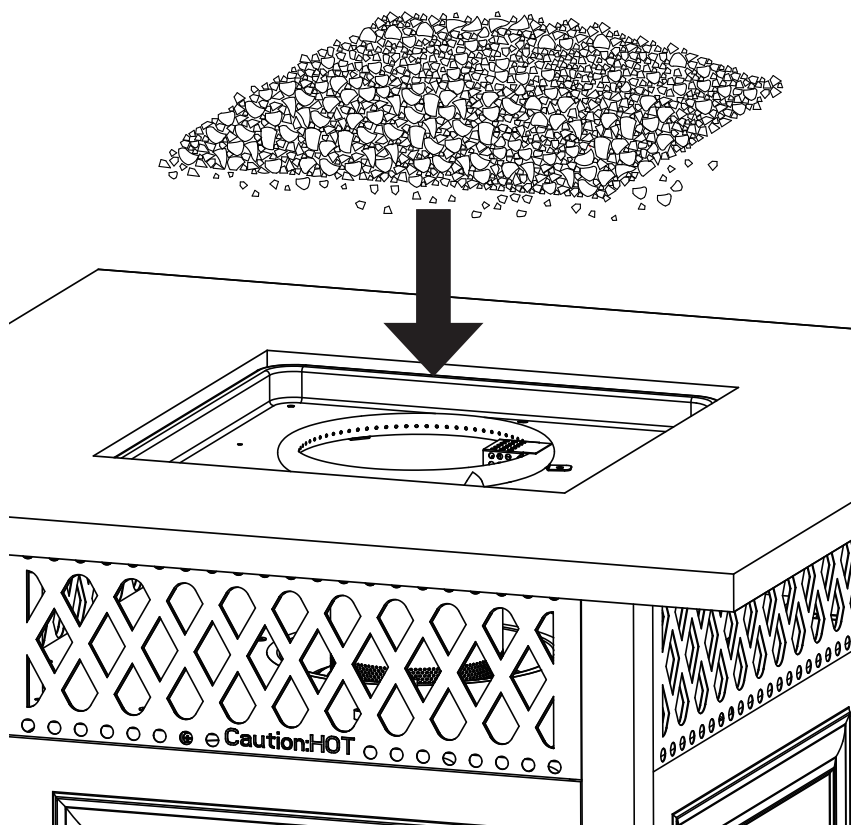

 A  x2 C  x4

6
Fixer le bouton de porte et la porte puis retourner le foyer d'extérieur
⚠ ATTENTION : Il faut deux (2) personnes pour remettre le foyer debout.

 B  x1 D  x1

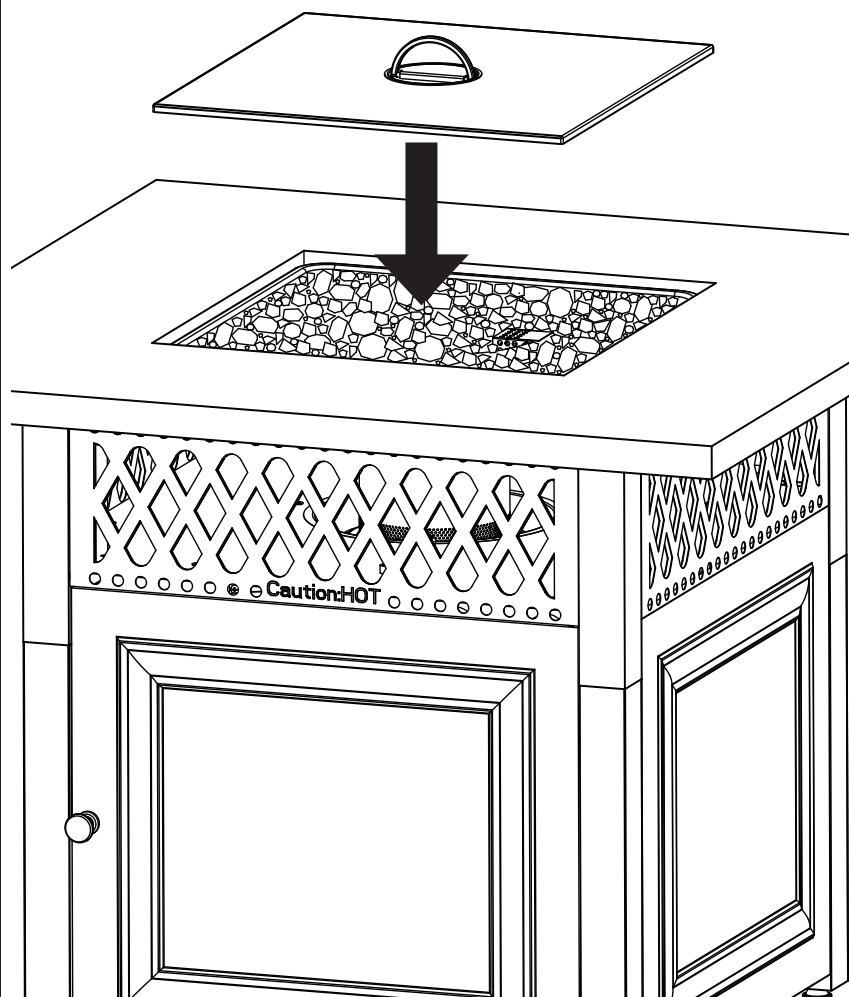
7
Placer les pierres en verre

- ⚠ **ATTENTION : NE PAS verser les pierres en verre de l'emballage. Placer les pierres en verre à la main avec précaution afin d'éviter que la poussière ne bouche le brûleur.**
- ⚠ **ATTENTION : Utiliser uniquement des pierres de verre agréées de l'usine Mr. Bar-B-Q Products LLC L'emploi de pierres de verre non agréées par l'usine peut être dangereux et entraînera l'annulation de la garantie.**
- ⚠ **ATTENTION : NE PAS couvrir le protège veilleuse.**

Remarque : Les pierres en verre devraient être entre 2 et 4 cm (0,8 et 1,6 po) de diamètre. Vous aurez besoin d'environ 5 kg (11 lb) de pierres en verre.


8
Placer le couvercle de la table

- ⚠ **AVERTISSEMENT : NE JAMAIS placer le couvercle sur le foyer d'extérieur s'il est allumé.**
- ⚠ **AVERTISSEMENT : NE JAMAIS placer le couvercle sur le foyer d'extérieur avant qu'il n'ait refroidi.**

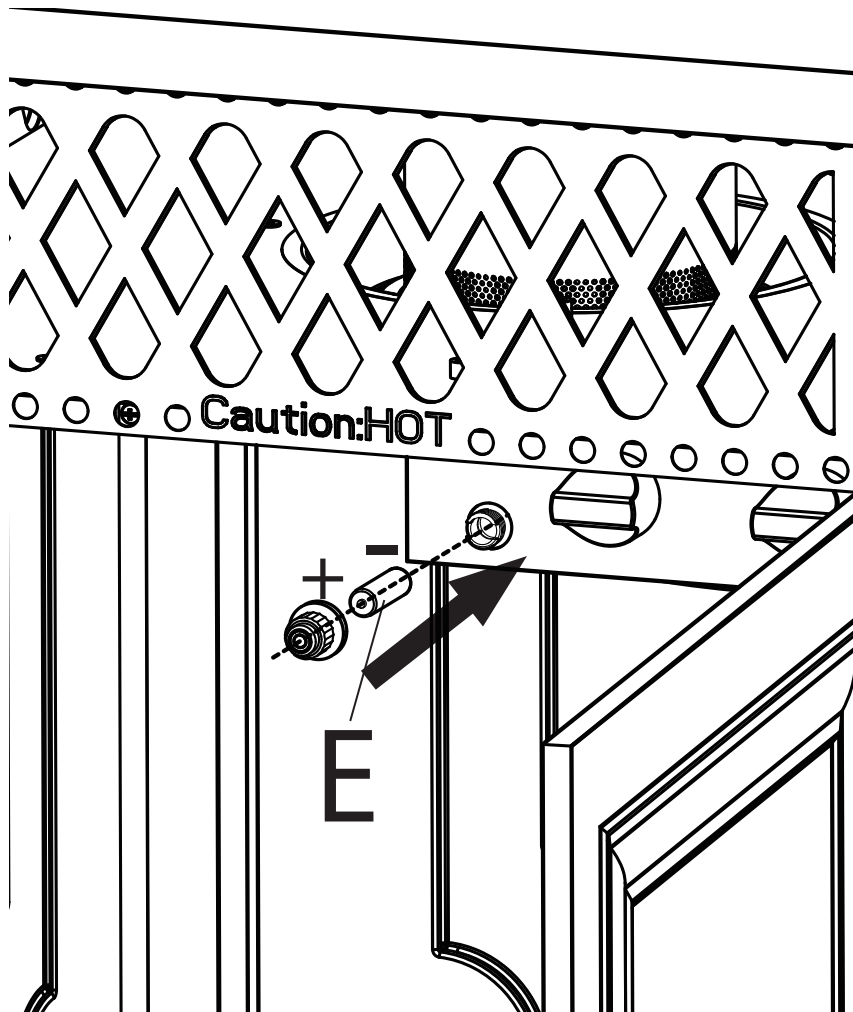


Instructions d'assemblage (suite)

9

Insérer la pile

Remarque : Retirer l'enveloppe protectrice en plastique avant d'installer la pile.

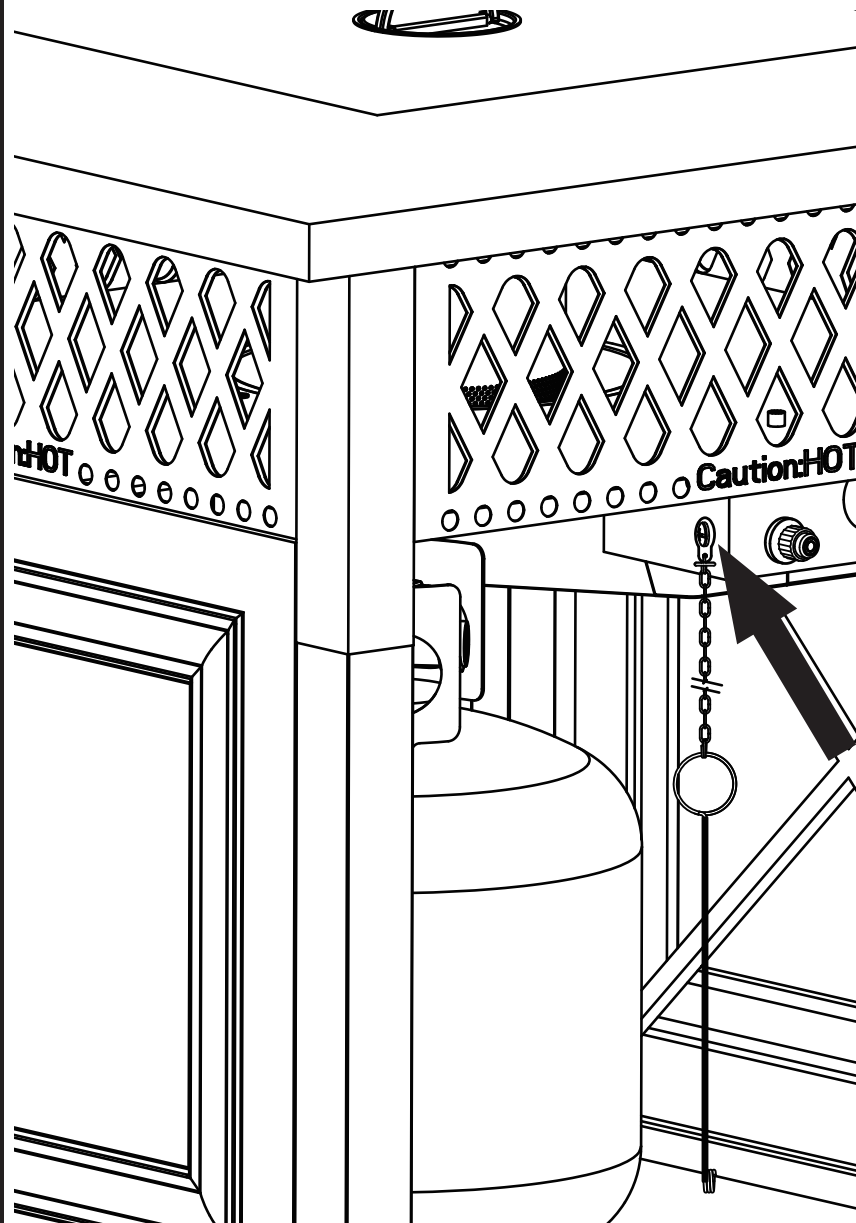


E

x 1

10

Placer la tige d'allumage



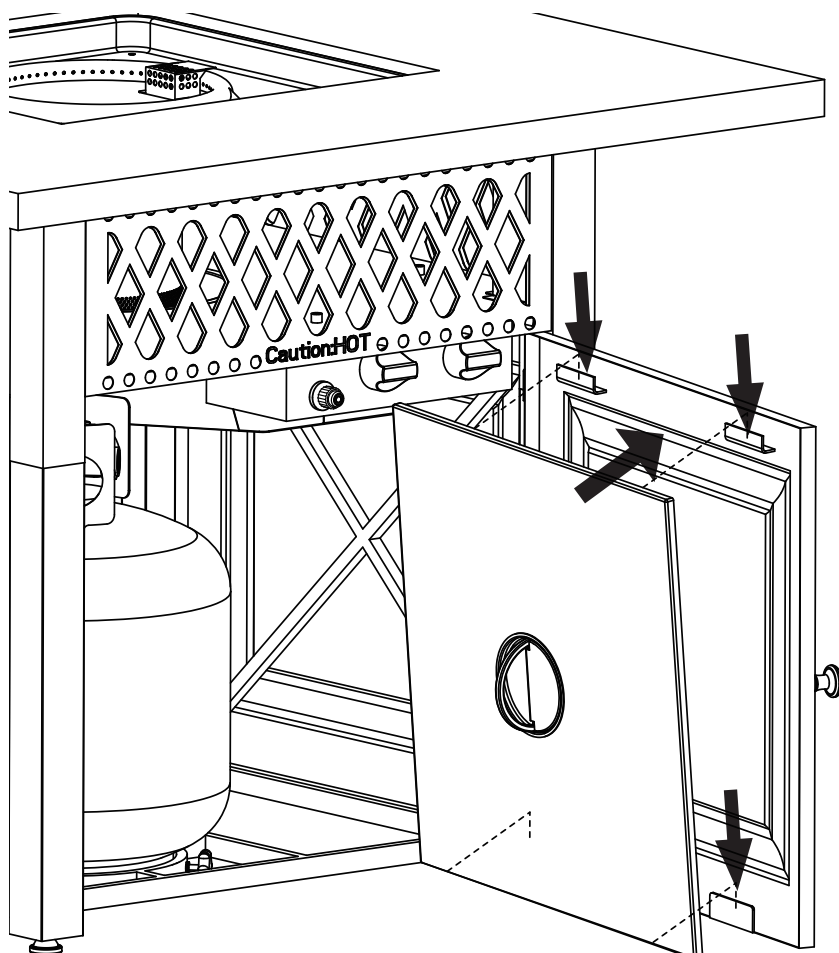
11

Ranger le couvercle de la table

Accrochez le couvercle à l'intérieur de la porte.

▲ AVERTISSEMENT : NE JAMAIS placer le couvercle sur le foyer d'extérieur lorsqu'il est allumé.

▲ AVERTISSEMENT : NE JAMAIS retirer le couvercle et le placer sur le foyer d'extérieur si le foyer est encore chaud.



ARTICLE OPTIONNEL VENDU SÉPARÉMENT

12

Placer les pierres de lave

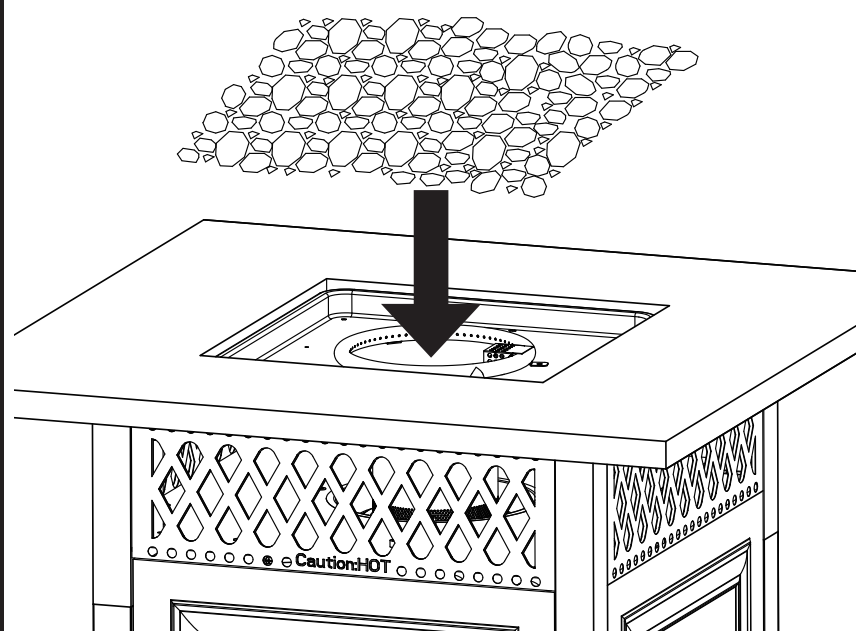
▲ ATTENTION : Lorsque l'on passe des pierres de verre aux pierres de lave, veiller à bien retirer toutes les pierres de verre avant de placer les pierres de lave.

▲ ATTENTION : NE PAS verser les pierres de lave de l'emballage. Placer les pierres de lave à la main avec précaution afin d'éviter que la poussière ne bouche le brûleur.

▲ ATTENTION : Utiliser uniquement des pierres de verre agréées de l'usine Mr. Bar-B-Q Products LLC L'emploi de pierres de lave non agréées par l'usine peut être dangereux et entraînera l'annulation de la garantie.

▲ ATTENTION : NE PAS couvrir pilote de logements.

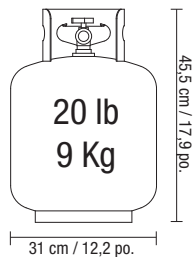
Remarque : Les pierres de lave devraient être entre 2 et 5 cm (0,8 et 2 po) de diamètre. Vous aurez besoin d'environ 2,3 kg (5 lb) de pierres de lave.



Installer la bouteille de propane

Il est nécessaire de brancher une bouteille de propane standard de 20 lb (9 kg) pour barbecue avec robinet à filetage externe.

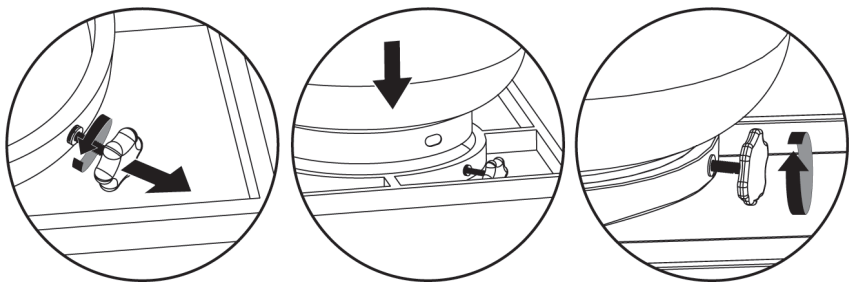
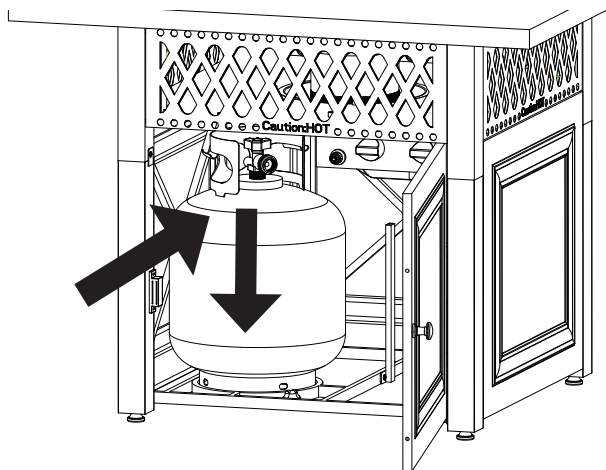
- ▲ **ATTENTION : La bouteille de propane doit être correctement débranchée et retirée avant de déplacer ce foyer.**



Insérer la bouteille de propane

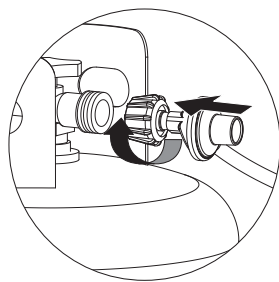
- ▲ **ATTENTION : S'assurer que le robinet de la bouteille de propane est fermé.**

- Ouvrez la porte.
- Le bouton de commande doit être réglé sur « ARRÊT ». Reportez-vous à l'illustration 3.
- Desserrez le boulon de fixation de la bouteille de propane en le tournant dans le sens inverse à celui des aiguilles d'une montre.
- Placez la bouteille de propane ayant été remplie avec précision debout, dans la cavité du foyer qui lui est réservée de manière à ce que l'entrée du robinet de gaz se trouve face au tuyau de gaz.
- Fixez la bouteille de propane en tournant le boulon de fixation de la bouteille dans le sens des aiguilles d'une montre jusqu'à ce qu'il soit serré.
- Fermez la porte.



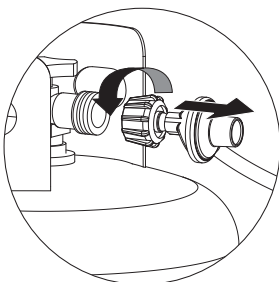
Brancher la bouteille de propane

- Le bouton de commande doit être réglé sur « ARRÊT ». Reportez-vous à l'illustration 3.
- Avant de procéder au branchement, assurez-vous de l'absence de débris dans la tête de la bouteille de propane, autour de la tête du régulateur ainsi que dans la tête du brûleur et dans les orifices du brûleur.
- Branchez le régulateur et son tuyau sur la bouteille en tournant dans le sens des aiguilles d'une montre jusqu'au blocage.
- Effectuez un test d'étanchéité en suivant les instructions du paragraphe « Détecter une fuite ».



Débrancher la bouteille de propane

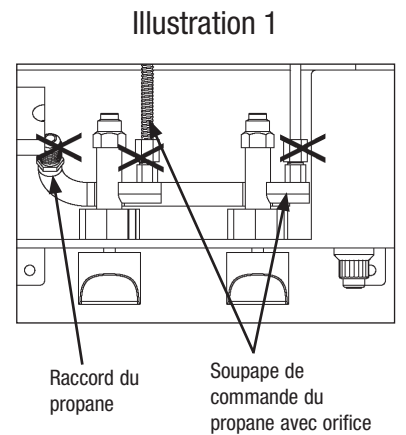
- Le bouton de commande doit être réglé sur « ARRÊT ». Reportez-vous à l'illustration 3.
 - Avant de débrancher la bouteille de propane, assurez-vous que le robinet de la bouteille se trouve sur « CLOSED » (fermé).
 - Débranchez le régulateur et son tuyau de la bouteille de propane en tournant le bouton dans le sens inverse à celui des aiguilles d'une montre jusqu'à ce qu'il soit desserré.
- ▲ **ATTENTION : La bouteille de propane doit être correctement débranchée et retirée avant de déplacer ce foyer.**
- Mettre un bouchon antipoussière sur la sortie du robinet de la bouteille et l'entreposer à l'extérieur dans un endroit bien aéré et loin des rayons directs du soleil.



Détecter une fuite

- ▲ **AVERTISSEMENT : Avant d'utiliser ce foyer d'extérieur, s'assurer d'avoir lu, compris et suivi toutes les consignes de sécurité de la page « Mises en garde importantes » de la page 2. Le non-respect de ces consignes risque de provoquer des dégâts matériels, des blessures graves voire la mort.**

- ▲ **AVERTISSEMENT : Si le brûleur est visiblement endommagé, il faut absolument le remplacer avant d'utiliser cet appareil. Choisir le brûleur de rechange spécifié par le fabricant.**

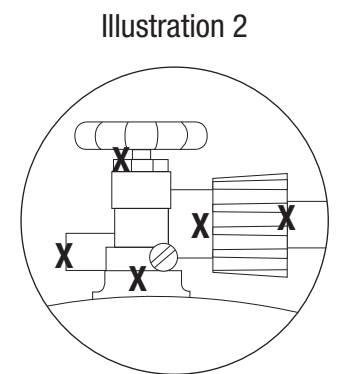


Raccordement des brûleurs

- Assurez-vous que le régulateur et son tuyau ont été correctement raccordés au brûleur et à la bouteille de gaz.
- Vérifiez visuellement le branchement du tube de venturi du brûleur sur l'orifice.
- Assurez-vous que le tube de venturi du brûleur est correctement placé sur l'orifice.

- ▲ **AVERTISSEMENT : Si vous ne vérifiez pas ce raccord et ne respectez pas ces instructions, vous risquez de provoquer un incendie ou une explosion pouvant entraîner des dégâts matériels, des blessures graves voire la mort.**

- Reportez-vous à l'illustration afin d'effectuer correctement l'installation (illustrations 1 et 2).
- Si le tube du brûleur ne repose pas au ras de l'orifice, veuillez appeler notre service à la clientèle au 1 888 398-8643.



Raccordement de la bouteille et du tuyau de gaz

- Préparez une solution d'environ 80 ml destinée à détecter les fuites en mélangeant un volume de liquide à vaisselle et 3 volumes d'eau.
- Assurez-vous que les boutons de commande du foyer sont tous sur « ARRÊT ». Reportez-vous à l'illustration 3.
- Branchez la bouteille de propane en suivant les instructions « Installer la bouteille de propane ».
- Ouvrez le gaz en réglant le robinet de la bouteille de propane sur « OPEN » (ouvert).
 - Si des bulles apparaissent, fermez le gaz en réglant le robinet de la bouteille de propane sur « CLOSED » (fermé), desserrez le raccord puis rebranchez en vous assurant qu'il est étanche en effectuant un autre test d'étanchéité.
 - Si des bulles persistent après plusieurs tentatives, fermez le gaz en réglant le robinet de la bouteille de propane sur « CLOSED » (fermé), débranchez la bouteille en suivant les instructions « Débrancher la bouteille de propane » et appelez le 1 888 398-8643.
 - Si il n'y a toujours pas de bulles après une minute, fermez le gaz en réglant le robinet de la bouteille de propane sur « CLOSED » (fermé), essayez la solution et continuez.

Illustration 3

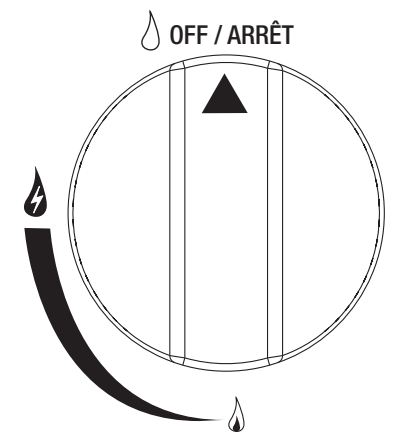


Illustration 4

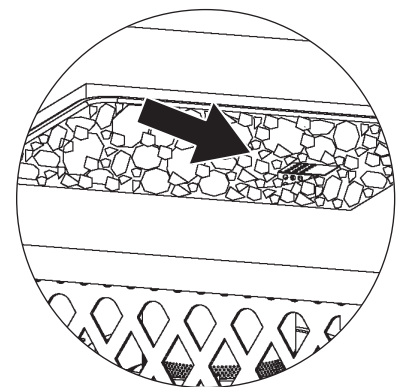
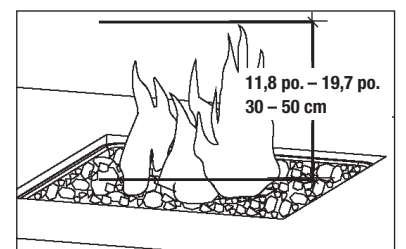


Illustration 5



Allumage du brûleur supérieur

- ▲ **DANGER : Le non-respect de ces instructions d'allumage peut entraîner de graves blessures, voire la mort, ou provoquer un incendie ou une explosion causant des dommages matériels.**
- ▲ **AVERTISSEMENT : NE JAMAIS allumer le brûleur sans retirer auparavant le couvercle du foyer d'extérieur.**
- ▲ **ATTENTION : S'assurer que la zone autour du foyer d'extérieur demeure dégagée et dépourvue de matières combustibles, d'essence et d'autres liquides et vapeurs inflammables.**
- ▲ **ATTENTION : NE PAS bloquer ni empêcher le débit d'air de combustion du propane ni de ventilation.**





Fonctionnement (suite)

⚠ ATTENTION : S'assurer que les tubes de venturi et des brûleurs ne sont pas bouchés par des insectes et leurs nids et les nettoyer si nécessaire. Si la tubulure du brûleur est bouchée, ceci risque de provoquer un incendie.

Note : Les brûleurs supérieur et inférieur sont indépendants.

Note : Ce foyer d'extérieur est doté d'une veilleuse qui rend l'allumage et l'extinction de l'appareil plus sécuritaires. Il est impératif d'allumer la veilleuse avant d'allumer le brûleur principal.

Pour allumer

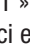
1. Assurez-vous que toutes les étiquettes et pellicules protectrices ont bien été retirées du foyer d'extérieur.
2. Assurez-vous qu'il n'existe aucune obstruction et que rien ne gêne le débit d'air vers le brûleur. Des araignées et autres insectes peuvent y élire domicile et boucher le brûleur et le tube venturi au niveau de l'orifice. Si la tubulure du brûleur est bouchée, ceci risque de provoquer un feu en-dessous de l'appareil.
3. Les boutons de commande doit être réglé sur «  ARRÊT ». Reportez-vous à l'illustration 3.
4. Dégagez une petite zone afin qu'il n'y ait pas de pierres de verre autour du protecteur de l'allumeur (illustration 4).
5. Branchez la bouteille de propane en suivant les instructions « Installer la bouteille de propane ».
6. Ouvrez le gaz en réglant le robinet de la bouteille de propane sur « OPEN » (ouvert).
7. Poussez et tournez le bouton de commande sur  (max.). Continuez à maintenir le bouton enfoncé pour allumer.
8. Une fois que le foyer est allumé, maintenez le bouton de commande enfoncé pendant 20 secondes pour chauffer le thermocouple, un dispositif de sécurité qui arrête le flux de gaz quand le foyer n'est pas allumé. En maintenant le bouton enfoncé pendant 20 secondes, le thermocouple se réchauffe afin que le débit de gaz puisse continuer.
9. Après 20 secondes, relâchez le bouton et tournez-le dans le sens inverse à celui des aiguilles d'une montre afin de régler la flamme à la hauteur désirée.
10. Après trois tentatives, si le brûleur ne s'allume toujours pas, tournez le bouton de commande sur «  ARRÊT ».
11. Attendez 5 minutes, utilisez un journal ou un magazine en tant qu'éventail pour aider à dissiper le gaz, puis reprenez la procédure d'allumage depuis le début.
12. Si l'allumeur ne parvient pas à allumer le brûleur:
 - a. Utilisez des gants de protection résistants à la chaleur, approchez une longue allumette allumée ou un long allumeur au butane au à proximité de la partie latérale du brûleur (voir illustration 4).
 - b. Appuyez et tournez le bouton de commande dans le sens inverse à celui des aiguilles d'une montre sur  (max.).
 - c. Retirez la longue allumette ou le long allumeur au butane une fois que le brûleur est allumé.

⚠ ATTENTION : ATTENTION : Après allumage, se munir d'un accessoire foyer et de gants résistants à la chaleur et remettre en place avec précaution les pierres de verre ou de lave qui ont été déplacées, tout en veillant à ne pas se brûler.

13. Après avoir allumé le brûleur, veuillez observer la flamme du brûleur et vérifiez que tous les orifices du brûleur sont allumés et que la hauteur de la flamme correspond à celle de l'illustration (voir illustration 5).

⚠ ATTENTION : Si l'appareil ne s'allume pas en 5 secondes, régler le bouton de commande du brûleur sur «  ARRÊT », attendre 5 minutes, utiliser un journal ou un magazine en tant qu'éventail pour aider à dissiper le gaz, puis reprendre la procédure d'allumage depuis le début.

Pour éteindre

1. Fermez le gaz en réglant le robinet de la bouteille de propane sur « CLOSED » (Fermé).
2. Tournez le bouton de commande sur «  ARRÊT ».
Remarque : Vous entendrez un son étouffé, ceci est normal, il s'agit du reste du gaz venant de se consumer.
3. Débranchez la bouteille en suivant les instructions « Débrancher la bouteille de propane ».

Allumage du brûleur inférieur

- ⚠ DANGER : Le non-respect de ces instructions d'allumage peut entraîner de graves blessures, voire la mort, ou provoquer un incendie ou une explosion causant des dommages matériels.**
- ⚠ AVERTISSEMENT : NE JAMAIS allumer le brûleur sans retirer auparavant le couvercle du foyer d'extérieur.**
- ⚠ AVERTISSEMENT : Placez et utilisez ce foyer d'extérieur uniquement sur une surface dure, de niveau et non combustible, telle qu'une surface en béton ou en pierre. Les surfaces asphaltées ou enduites d'un revêtement hydrocarburé ne conviennent pas.**
- ⚠ ATTENTION : S'assurer que la zone autour du foyer d'extérieur demeure dégagée et dépourvue de matières combustibles, d'essence et d'autres liquides et vapeurs inflammables.**
- ⚠ ATTENTION : NE PAS bloquer ni empêcher le débit d'air de combustion du propane ni de ventilation.**


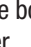

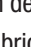
⚠ ATTENTION : S'assurer que les tubes de venturi et des brûleurs ne sont pas bouchés par des insectes et leurs nids et les nettoyer si nécessaire. Si la tubulure du brûleur est bouchée, ceci risque de provoquer un incendie.

⚠ MISE EN GARDE : Pour rallumer un foyer chaud, attendre systématiquement 5 minutes avant d'amorcer l'allumage.

Note : Les brûleurs supérieur et inférieur sont indépendants.

Note : Ce foyer d'extérieur est doté d'une veilleuse qui rend l'allumage et l'extinction de l'appareil plus sécuritaire. Il est impératif d'allumer la veilleuse avant d'allumer le brûleur principal.

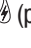
Pour allumer


1. Assurez-vous que toutes les étiquettes et pellicules protectrices ont bien été retirées du foyer d'extérieur.
2. Assurez-vous qu'il n'existe aucune obstruction et que rien ne gêne le débit d'air vers le brûleur. Des araignées et autres insectes peuvent y élire domicile et boucher le brûleur et le tube venturi au niveau de l'orifice. Si la tubulure du brûleur est bouchée, ceci risque de provoquer un feu en-dessous de l'appareil.
3. Les boutons de commande doit être réglé sur «  ARRÊT ». Reportez-vous à l'illustration 3.
4. Branchez la bouteille de propane en suivant les instructions « Installer la bouteille de propane ».
5. Ouvrez le gaz en réglant le robinet de la bouteille de propane sur « OPEN » (ouvert).
6. Poussez et tournez le bouton de commande sur  (max.). Continuez à maintenir le bouton enfoncé pour allumer.
7. Une fois que le foyer est allumé, maintenez le bouton de commande enfoncé pendant 20 secondes pour chauffer le thermocouple, un dispositif de sécurité qui arrête le flux de gaz quand le foyer n'est pas allumé. En maintenant le bouton enfoncé pendant 20 secondes, le thermocouple se réchauffe afin que le débit de gaz puisse continuer.
8. Après 20 secondes, relâchez le bouton de commande et tournez-le en sens antihoraire pour régler la chaleur à la température voulue.
9. Après trois tentatives, si le brûleur ne s'allume toujours pas, tournez le bouton de commande sur «  ARRÊT ».
10. Attendez 5 minutes, utilisez un journal ou un magazine en tant qu'éventail pour aider à dissiper le gaz, puis reprenez la procédure d'allumage depuis le début.
11. Si l'allumeur ne parvient pas à allumer le brûleur :
 - a. Utilisez une allumette allumée, provenant d'un carnet d'allumettes, fixée au bout de la tige d'allumage (comprise avec le foyer d'extérieur) pour allumer le brûleur inférieur.
 - b. L'accès au brûleur se fait par le panneau latéral (figure 6).
 - c. Placez l'allumette allumée près du côté du brûleur (figure 7). **Important** : Utilisez systématiquement la tige d'allumage (comprise) pour allumer les brûleurs avec une allumette.
 - d. Appuyez sur le bouton de commande et tournez-le à la position  (max.).
 - e. Enlevez l'allumette/le briquet une fois que le brûleur est allumé.

⚠ ATTENTION : Après avoir allumé le brûleur, se munir d'une pelle et de gants de protection résistants à la chaleur et remettre en place avec précaution les pierres en verre qui ont été déplacées, tout en veillant à ne pas se brûler.

12. Après avoir allumé le brûleur, veuillez observer la flamme du brûleur et vérifiez que tous les orifices du brûleur sont allumés et que la hauteur de la flamme correspond à celle de l'illustration (voir illustration 8).

⚠ ATTENTION : Si l'appareil ne s'allume pas en 5 secondes, régler le bouton de commande du brûleur sur «  ARRÊT », attendre 5 minutes, utiliser un journal ou un magazine en tant qu'éventail pour aider à dissiper le gaz, puis reprendre la procédure d'allumage depuis le début.

CONSEIL : Le brûleur peut être bruyant au moment de l'allumage initial. Pour éliminer le bruit exagéré du brûleur, tournez le bouton de commande à la position  (pilot), puis au degré de chaleur voulu.

CONSEIL : Débarrassez le foyer des huiles d'usage dès sa première utilisation en le faisant fonctionner durant au moins 15 minutes à la position  (max.), ce qui produira un nettoyage thermique des pièces internes du foyer tout en dissipant les odeurs.

Lorsque le foyer est en marche

⚠ AVERTISSEMENT : Le dôme et le brûleur sont extrêmement chauds au toucher durant le fonctionnement du foyer. Ne touchez jamais le dôme ou le brûleur durant le fonctionnement du foyer. La surface du diffuseur du brûleur inférieur peut atteindre des températures avoisinant les 871 °C (1 600 °F).

Illustration 6

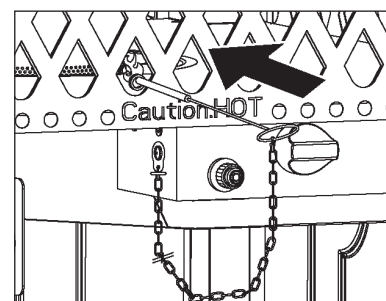


Illustration 7

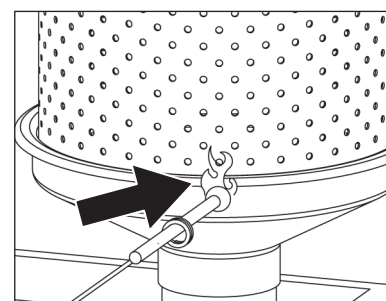
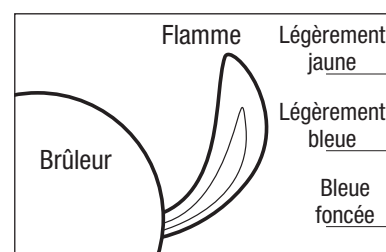


Illustration 8



Fonctionnement (suite)

⚠ AVERTISSEMENT : Pour éviter les brûlures, NE touchez PAS les pièces métalliques du foyer avant qu'elles n'aient eu le temps de refroidir complètement, à moins d'utiliser un dispositif de protection (tel que des maniques ou des mitaines/gants isolants).

- La grille du diffuseur devient rouge vif en raison de la chaleur intense. Cette couleur est plus facilement visible la nuit.
- Le brûleur produit des flammes bleu et jaune. Ces flammes ne doivent jamais être entièrement jaunes ni produire de fumée noire et dense, ce qui indiquerait une obstruction du flux d'air dans les brûleurs. La flamme doit être bleue de la base à son centre et coiffée de jaune (figure 8).
- Si la flamme devient exagérément jaune, éteignez le foyer et visitez le site BlueRhino.com pour connaître les instructions de nettoyage ou composez le 1 800 762-1142.

⚠ ATTENTION : Si le brûleur s'éteint durant le fonctionnement du foyer, tournez immédiatement le bouton de commande à la position « 🔥 ARRÊT », fermez le robinet de la bouteille de propane et laissez le gaz se dissiper durant 5 minutes avant de rallumer le foyer en observant la procédure indiquée à la rubrique « Pour allumer ».

Pour rallumer

Note : Pour assurer votre sécurité, il faut d'abord presser et tourner le bouton de commande à la position 🔥 (min./veilleuse) avant de le tourner à la position « 🔥 ARRÊT ».

1. Tournez le bouton de commande à la position « 🔥 ARRÊT »
2. Laissez le gaz se dissiper durant au moins 5 minutes en le ventilant avec un journal ou un magazine.
3. Rallumez le foyer selon la procédure indiquée à la rubrique « Pour allumer ».

Pour éteindre

1. Tournez le bouton de commande en sens horaire à la position 🔥 (min./veilleuse) Le brûleur s'éteindra tandis que la veilleuse restera allumée.
2. Tournez le robinet de la bouteille de propane à la position « CLOSED » (fermé).
Note : Il est normal d'entendre un « pouf » au moment où la dernière vapeur de gaz est consommée.
3. Débranchez la bouteille de propane selon les instructions figurant au chapitre « Débrancher la bouteille de propane ».

Note : Après l'usage, il est normal de constater une certaine décoloration du grillage du diffuseur.

Nettoyage et entretien

⚠ ATTENTION :

1. **Tout nettoyage ou entretien doit être effectué lorsque le foyer d'extérieur est froid et après avoir fermé et débranché l'alimentation en gaz.**
2. **NE placer AUCUNE pièce du foyer d'extérieur dans un four autonettoyant. La chaleur extrême endommagera le fini du foyer d'extérieur.**
3. **NE PAS agrandir les orifices des valves ou des brûleurs lors du nettoyage des soupapes ou des brûleurs.**

Avis

1. Ce foyer d'extérieur doit être nettoyé à fond et inspecté périodiquement.
2. Les nettoyeurs abrasifs endommagent ce produit.
3. N'utilisez JAMAIS de nettoyeur pour le four pour nettoyer toute pièce de ce foyer d'extérieur.
4. Un nettoyage plus fréquent peut parfois être nécessaire. Il est impératif de maintenir le compartiment de commandes, les brûleurs et les voies de circulation d'air bien propres.
5. Faites inspecter le foyer d'extérieur une fois l'an. Toute réparation doit être faite par un réparateur qualifié.
6. Inspectez le foyer avant chaque utilisation.
7. Les araignées et autres insectes peuvent entraîner des problèmes dangereux susceptibles d'endommager le foyer ou de le rendre non sécuritaire. Débarrassez toujours les brûleurs des araignées, des toiles d'araignées et des insectes. Nettoyez les orifices des brûleurs au moyen d'un nettoyeur pour tuyaux ultraconcentré.
8. Vérifiez immédiatement le foyer si l'un ou l'autre de ces problèmes survient :
 - a. Il y a une odeur de gaz et le brûleur produit des flammes extrêmement jaunes à leur extrémité.
 - b. Le foyer ne parvient pas à atteindre la température appropriée.
Note : Lorsqu'il fait moins de 5 °C (40 °F), la capacité thermique du foyer est réduite.
 - c. Le rougeolement du foyer est très inégal.
 - d. Le brûleur émet des claquements secs.
Note : Il est normal d'entendre un « pouf » au moment où la dernière vapeur de gaz est consommée.
9. La calamine peut créer un risque d'incendie. Gardez le dôme et le diffuseur propres en tout temps.

10. Ne nettoyez PAS le foyer au moyen de nettoyeurs combustibles ou corrosifs. Utilisez de l'eau tiède savonneuse.
11. Ne peignez pas le moteur, le panneau d'accès au moteur, ni le dôme.
12. Après une certaine période de remisage ou de non-utilisation, vérifiez le foyer afin de déceler tout signe de fuite et d'obstruction des brûleurs, et examinez le tuyau flexible afin de déceler toute abrasion, usure ou entaille.
13. Examinez périodiquement le dessous du dôme et la zone du moteur afin de déceler toute obstruction par des toiles d'araignées, des nids d'oiseaux, etc.

Avant chaque utilisation

1. Assurez-vous que la zone autour du foyer d'extérieur demeure dégagée et dépourvue de matières combustibles, d'essence et d'autres liquides et vapeurs inflammables.
2. Ne pas bloquer ni empêcher le débit d'air de combustion du propane ni de ventilation.
3. Assurez-vous que la (les) ouverture(s) de ventilation autour de la bouteille de propane demeurent toujours propres et dépourvues de débris.
4. Vérifiez les flammes du brûleur afin de vous assurer que le foyer d'extérieur fonctionne correctement (Illustration 5).
5. Reportez-vous aux instructions ci-après pour le nettoyage.
6. Vérifiez tous les raccords pour vous assurer qu'il n'y a aucune fuite.
7. Vérifiez les pièces pour vous assurer qu'il n'y a aucune trace d'usure ou de rouille.
8. Vérifiez et nettoyez les tubes venturi et du brûleur afin de vous assurer qu'ils ne sont pas bouchés par des insectes et leurs nids. Si la tubulure du brûleur est bouchée, ceci risque de provoquer un feu sous le foyer d'extérieur.
9. Si vous remarquez qu'une des pièces est endommagée, NE PAS utiliser le foyer avant d'avoir réparé la pièce.

Nettoyage des surfaces

1. Essuyez les surfaces du foyer d'extérieur avec un liquide à vaisselle doux ou du bicarbonate de soude mélangé avec de l'eau.
2. Pour les tâches coriaces, utilisez un dégraissant au citron et une brosse de nettoyage en nylon.
3. Rincez à l'eau.
4. Laissez le foyer d'extérieur sécher à l'air libre.

Entretien

Afin que votre chauffe-terrace puisse fonctionner à plein rendement pendant de longues années, procédez régulièrement à l'entretien de l'appareil :

1. Veillez à ce que les surfaces extérieures demeurent toujours propres.
2. Procédez à un entretien régulier.
3. La circulation d'air ne doit pas être entravée. Maintenez le compartiment de commandes, les brûleurs et les voies de circulation d'air bien propres. Voici certains signes d'obstruction possible :
 - Odeur de gaz et flammes extrêmement jaunes à leur extrémité.
 - Foyer d'extérieur qui n'atteint PAS la température voulue.
 - Rougeolement très inégal du brûleur inférieur.
 - Émission de claquements secs par les brûleurs.

Note : Dans des conditions d'air salin (comme près d'un océan), la corrosion survient plus rapidement. Vérifiez le foyer afin de déceler toutes zones corrodées, et réparez-les avant d'utiliser le foyer.

CONSEIL : Appliquez de la cire pour véhicules automobiles sur votre foyer d'extérieur afin de préserver son apparence. Appliquez la cire sur les surfaces extérieures. **N'appliquez pas de cire sur les brûleurs, le grillage du diffuseur et le dôme.**

Nettoyage du brûleur

⚠ AVERTISSEMENT : Toute opération de nettoyage doit être effectuée après que l'appareil ait refroidi et après avoir débranché l'arrivée de gaz en suivant les instructions « Débrancher la bouteille de propane »

1. Retirez les pierres de verre ou de lave.
2. Retirez toute saleté ou poussière du brûleur, du protège-allumeur et de la zone du venturi à l'aide d'une petite brosse ou de l'air comprimé.
3. Inspectez visuellement le brûleur afin de vous assurer qu'il n'est pas endommagé et ne présente pas de traces de rouille. S'il s'avère endommagé, remplacez les pièces nécessaires par des pièces neuves provenant du fabricant.
4. Veillez à nettoyer les orifices du brûleur s'ils sont bouchés à l'aide de fil de fer (trombone).
5. En faisant preuve de précaution, remettez en place les pierres de verre ou de lave en faisant attention à ne pas bloquer le protège-allumeur.

Avant le remisage

1. Fermez le gaz en réglant le robinet de la bouteille de propane sur « CLOSED » (fermé).
2. Tournez le bouton de commande sur « 🔥 ARRÊT ». Remarque : Vous entendrez un son étouffé, ceci est normal, il s'agit du reste du gaz venant de se consumer.
3. Débranchez la bouteille de propane en suivant les instructions « Débrancher la bouteille de propane ».
4. Nettoyez toutes les surfaces du foyer d'extérieur.
5. Appliquez une fine couche d'huile de cuisine afin d'éviter toute apparition de rouille.

Nettoyage et entretien (suite)

⚠ **ATTENTION : NE JAMAIS placer de housse sur le foyer d'extérieur lorsqu'il est chaud.**

6. Si vous comptez entreposer le foyer à l'intérieur, recouvrez-le d'une housse et rangez-le dans un endroit frais et sec, hors de portée des enfants et des animaux de compagnie.
7. Si vous comptez entreposer le foyer à l'extérieur, recouvrez-le d'une housse pour le protéger des intempéries.
8. Remisez le foyer d'extérieur en le plaçant debout dans un endroit à l'abri des rayons du soleil et des intempéries (pluie, grêle, neige, poussière et vents forts).
9. Placez le capuchon antipoussière sur la bouteille de propane et gardez la bouteille à l'extérieur dans un endroit largement ventilé à l'abri des rayons du soleil.

Enregistrement de l'appareil

Pour bénéficier plus rapidement du service offert par la garantie, veuillez enregistrer cet article immédiatement. Pour l'enregistrer, envoyez un courriel à registration@mrbarbq.com avec votre nom, adresse, numéro de téléphone et une copie de votre reçu d'achat ou appelez le 1.888.398.8643.

Pièces de rechange

Pour pièces de rechange, appelez le 1.888.398.8643.

Garantie limitée

La société Mr. Bar-B-Q Products LLC garantit cet article au premier acheteur au détail et à aucune autre personne, contre tout vice de matériau et de fabrication pendant un (1) an à partir de la date d'achat si cet article est monté et utilisé conformément aux instructions fournies. Mr. Bar-B-Q Products LLC vous demandera sans doute une preuve raisonnable d'achat datée, veuillez donc conserver votre facture ou votre reçu. Cette garantie limitée se limitera à la réparation ou au remplacement de pièces ayant été déterminées défectueuses par Mr. Bar-B-Q Products LLC lors de conditions d'utilisation et d'entretien normales. Avant de renvoyer une pièce, contactez le service à la clientèle de Mr. Bar-B-Q Products LLC. Si Mr. Bar-B-Q Products LLC confirme le défaut de fabrication et approuve la réclamation, ce dernier remplacera gratuitement les dites pièces. Si vous devez renvoyer des pièces défectueuses, les pièces devront être expédiés port-payé. Mr. Bar-B-Q Products LLC s'engage à renvoyer les pièces à l'acheteur portpayé.

Cette garantie limitée ne couvre pas les pannes et dysfonctionnements survenant suite à tout accident, mauvais usage, entretien incorrect de cet article, ou toute modification, mauvaise installation ou négligence comme il a été établi dans ce manuel. De plus, cette garantie limitée ne couvre pas les dommages au fini, à savoir les rayures, les bosses, les traces de décoloration, de rouille ou les dommages résultant des intempéries après achat de l'article.

Cette garantie remplace toute autre garantie expresse et il n'existe aucune autre garantie expresse à l'exception de la couverture indiquée ici. Mr. Bar-B-Q Products LLC désavoue toute garantie couvrant des produits ayant été achetés auprès de revendeurs autres que les revendeurs et distributeurs agréés y compris toute garantie de commerciabilité et d'adaptation à un usage particulier. MR. BAR-B-Q PRODUCTS LLC DÉCLINE ÉGALEMENT TOUTE GARANTIE IMPLICITE Y COMPRIS TOUTE GARANTIE DE COMMERCIALITÉ ET D'ADAPTATION À UN USAGE PARTICULIER. MR. BAR-B-Q PRODUCTS LLC NE POURRA ÊTRE TENU RESPONSABLE PAR L'ACHETEUR OU UN TIERS POUR TOUS DÉGÂTS ET DOMMAGES PARTICULIERS, INDIRECTS, PUNITIFS OU CONSÉCUTIFS. De plus, Mr. Bar-B-Q Products LLC désavoue toute garantie expresse ou implicite et décline toute responsabilité en cas de défaut de fabrication causés par un tiers.

Cette garantie limitée octroie des droits spécifiques à l'acheteur reconnus par la loi et il est possible que ce dernier en possède d'autres selon sa localité. Certaines juridictions ne permettent pas l'exclusion ni la limitation de dommages consécutifs ou accessoires ni la limitation en temps d'une garantie et ces limitations peuvent ne pas être applicables à tous.

Mr. Bar-B-Q Products LLC ne permet en aucun cas à une personne ou à une société de s'attribuer les responsabilités et les obligations liées à la vente, l'installation, l'utilisation, la dépose ou le remplacement de cet article, et aucune de ces représentations n'engage la responsabilité de Mr. Bar-B-Q Products LLC.

Mr. Bar-B-Q Products LLC
10 Hub Dr., Ste 101, Melville, NY 11747, États-Unis
(888)-398-8643

Caractéristiques techniques

Brûleur supérieur

Certifications :

ANS Z21.97 • CSA 2.41 - 2017

Puissance nominale :

Puissance d'entrée maximale de 30 000 BTU/h

Combustible :

Propane liquide

Format de la bouteille :

Poids nominal de 20 lb/5 gallons

Pression d'alimentation en gaz :

Maximale — 11 po CE

Minimale — 11 po CE

Pression de la tubulure :

11 po CE

Dispositifs de sécurité :

Vanne de coupure intégrale des brûleurs

Thermocouple

Fabricant :

Mr. Bar-B-Q Products LLC

Pays de fabrication :

Chine

Brûleur inférieur

Certifications :

ANS Z83.26 • CSA 2.37 - 2017

Puissance nominale :

Puissance d'entrée maximale de 31 000 BTU/h

Rayon de chauffage :

Jusqu'à 6 mètres (20 pieds) de diamètre

Combustible :

Propane liquide

Format de la bouteille :

Poids nominal de 20 lb/5 gallons

Pression d'alimentation en gaz :

Maximale — 150 PSI

Minimale — 5 PSI

Pression de la tubulure :

11 po CE

Moteur :

IPP E1

Dispositifs de sécurité :

Vanne de coupure intégrale des brûleurs

Valve électromagnétique


Fabricant :

Mr. Bar-B-Q Products LLC

Pays de fabrication :

Chine

Guide de dépannage - Brûleur supérieur

Problème	Cause possible	Prévention/mesure correctrice
Le brûleur ne s'allume pas en utilisant l'allumeur électrique	Le robinet de la bouteille de propane est fermé.	Assurez-vous que le régulateur est solidement fixé à la bouteille de propane en suivant les instructions « Installer la bouteille de propane » puis ouvrez le gaz en tournant le robinet de la bouteille de propane sur « OPEN » (ouvert)
	La bouteille de propane est vide ou presque vide.	Échangez, remplissez ou remplacez la bouteille de propane.
	Il y a une fuite de propane.	<ol style="list-style-type: none"> 1. Fermez le gaz en tournant le robinet de la bouteille de propane sur « CLOSED » (fermé). 2. Attendez 5 minutes pour que le gaz se dissipe. 3. Suivez les instructions du chapitre « Détecter une fuite » du manuel.
	La pile doit être changée.	Remplacez la pile « AA » (suivez les instructions de l'étape consacrée à l'installation de la pile).
	L'électrode et les brûleurs sont mouillés.	Essuyez avec un chiffon.
	L'électrode est fendue ou brisée, des étincelles apparaissent au niveau de la fente.	Il sera peut-être nécessaire de commander une (ou plusieurs) pièce(s) de rechange. Contactez le service à la clientèle au 1 888 398-8643
	Le fil est desserré ou déconnecté.	Il sera peut-être nécessaire de reconnecter le fil ou de commander une (ou plusieurs) pièce(s) de rechange. Contactez le service à la clientèle au 1 888 398-8643
	Court-circuit (étincelles) du fil conducteur entre l'allumeur et l'électrode.	Il sera peut-être nécessaire de commander une (ou plusieurs) pièce(s) de rechange. Contactez le service à la clientèle au 1 888 398-8643
	Le thermocouple ne fonctionne pas correctement.	<ol style="list-style-type: none"> 1. Débranchez la bouteille de propane en suivant les instructions du paragraphe « Débrancher la bouteille de propane ». 2. Nettoyez la zone autour du thermocouple. 3. Branchez la bouteille de propane en suivant les instructions du paragraphe « Brancher la bouteille de propane ». 4. Rallumez en suivant les instructions du paragraphe « Pour allumer ». 5. Si le foyer d'extérieur ne fonctionne toujours pas, veuillez contacter le Service à la clientèle au 1 888 398-8643 pour que l'on vous aide.
Allumeur défectueux.	Il sera peut-être nécessaire de commander une (ou plusieurs) pièce(s) de rechange. Contactez le service à la clientèle au 1 888 398-8643	
Le brûleur ne s'allume pas avec une allumette	Absence de gaz.	Vérifiez si la bouteille de propane est vide. <ol style="list-style-type: none"> a. Si elle est vide, échangez-la, remplissez-la ou remplacez-la. b. Si la bouteille n'est pas vide, reportez-vous aux instructions « Baisse soudaine du débit du propane ou hauteur réduite de flamme ».
	La bouteille de propane est vide ou presque vide.	Échangez, remplissez ou remplacez la bouteille de propane.
	Il y a une fuite de propane.	<ol style="list-style-type: none"> 1. Tournez le robinet de la bouteille de propane sur « CLOSED » (fermé). 2. Attendez 5 minutes pour que le gaz se dissipe. 3. Suivez les instructions du chapitre « Détecter une fuite » du manuel.
	L'écrou de couplage et le régulateur ne sont pas complètement raccordés.	Tournez l'écrou de couplage environ un demi ou trois quart de tour de plus jusqu'à l'arrêt complet. Serrez manuellement environ sans utiliser d'outils.
	Obstruction du débit de gaz.	<ol style="list-style-type: none"> 1. Nettoyez le venturi/tube du brûleur. 2. Assurez-vous que le tuyau n'est pas plié ou déformé.
	Le brûleur n'est plus raccordé à la valve.	Raccordez à nouveau le brûleur et la valve.
	Araignées ou insectes dans le venturi.	Nettoyez le venturi/tube du brûleur.
	Le thermocouple ne fonctionne pas correctement.	<ol style="list-style-type: none"> 1. Débranchez la bouteille de propane en suivant les instructions du paragraphe « Débrancher la bouteille de propane ». 2. Nettoyez la zone autour du thermocouple. 3. Branchez la bouteille de propane en suivant les instructions du paragraphe « Brancher la bouteille de propane ». 4. Rallumez en suivant les instructions du paragraphe « Pour allumer ». 5. Si le foyer d'extérieur ne fonctionne toujours pas, veuillez contacter le Service à la clientèle au 1 888 398-8643 pour que l'on vous aide.
Les orifices du brûleur sont bouchés ou bloqués.	Nettoyez les orifices du brûleur.	
Baisse soudaine du débit de propane ou hauteur réduite de flamme	Il n'y a plus de gaz.	Échangez, remplissez ou remplacez la bouteille de propane.
	Débit excessif; le dispositif de sécurité de limitation de débit a peut-être été déclenché.	<ol style="list-style-type: none"> 1. Tournez le bouton de commande sur «  ARRÊT ». 2. Attendez 30 secondes puis allumez le foyer d'extérieur en suivant les instructions d'allumage « Pour allumer ». 3. Si les flammes demeurent trop basses, réarmez le dispositif de sécurité de limitation de débit: <ol style="list-style-type: none"> a. Tournez les boutons de commande sur «  ARRÊT ». b. Tournez le robinet de la bouteille de propane sur « CLOSED » (fermé). c. Débranchez le régulateur. d. Tournez les boutons de commande sur  (max). e. Attendez 1 minute. f. Tournez les boutons de commande sur «  ARRÊT ». g. Rebranchez le régulateur et assurez-vous que le raccord ne présente pas de fuite. h. Allumez le foyer d'extérieur en suivant les instructions d'allumage « Pour allumer ».
Flamme irrégulière, flamme ne se répartissant pas sur toute la longueur du brûleur	Les orifices du brûleur sont bouchés ou bloqués.	Nettoyez les orifices du brûleur.
La flamme est jaune ou orange	Le nouveau brûleur peut contenir des huiles résiduelles de fabrication.	Laissez le foyer d'extérieur fonctionner pendant encore 15 minutes puis vérifiez à nouveau.
	Toiles d'araignées ou nid d'insectes dans le venturi.	Nettoyez le venturi/tube du brûleur.
	Mauvais alignement de la valve sur le venturi du brûleur.	Assurez-vous que le venturi du brûleur est correctement raccordé à la valve.

Guide de dépannage - Brûleur supérieur (suite)

Problème	Cause possible	Prévention/mesure correctrice
La flamme s'éteint.	Vent fort ou bourrasques.	Ne pas utiliser le foyer d'extérieur les jours de vent fort.
	La bouteille de propane est presque vide.	Échangez, remplissez ou remplacez la bouteille de propane.
	La soupape de limitation de débit s'est déclenchée.	Reportez-vous aux instructions du paragraphe « Baisse soudaine du débit du propane ou hauteur réduite de flamme ».
	Le thermocouple ne fonctionne pas correctement.	<ol style="list-style-type: none"> Débranchez la bouteille de propane en suivant les instructions du paragraphe « Débrancher la bouteille de propane ». Nettoyez la zone autour du thermocouple. Rebranchez la bouteille de propane en suivant les instructions du paragraphe « Brancher la bouteille de propane ». Rallumez en suivant les instructions du paragraphe « Pour allumer ». Si le foyer d'extérieur ne fonctionne toujours pas, veuillez contacter le Service à la clientèle au 1 888 398-8643 pour que l'on vous aide.
Retour de flammes (feu dans le venturi ou le(s) tube(s) de brûleurs)	Le brûleur et/ou son venturi ou tubes sont bouchés.	Nettoyez le brûleur et/ou venturi ou tubes du brûleur.
Les flammes semblent perdre de leur chaleur lorsque vous utilisez le foyer par temps froid, à une température de 50°F (10°C).	Accumulation de givre sur l'extérieur de la bouteille de propane car le processus de vaporisation est trop lent.	<ol style="list-style-type: none"> Éteignez le foyer en suivant les instructions « Pour éteindre ». Remplacez la bouteille de propane usée par une bouteille de propane de rechange. Rebranchez la bouteille de propane en suivant les instructions du chapitre « Installer la bouteille de propane ». Assurez-vous que tous les raccords sont étanches en effectuant un test d'étanchéité. Allumez le foyer d'extérieur en suivant les instructions d'allumage « Pour allumer ».

Pour toute assistance, veuillez consulter notre site internet MrBarBQProducts.com ou appelez le 1 888 398-8643.

Guide de dépannage - Brûleur inférieur

Problème	Cause possible	Prévention/mesure correctrice
La veilleuse ne s'allume pas	Le robinet de la bouteille de gaz est fermé	Assurez-vous que le régulateur est solidement fixé à la bouteille de propane en suivant les instructions de la rubrique « Installer la bouteille de propane », puis tournez le robinet de la bouteille de propane à la position OPEN.
	La bouteille de propane est vide ou presque vide.	Échangez, remplissez ou remplacez la bouteille de propane.
	Il y a une fuite de propane.	<ol style="list-style-type: none"> Fermez le gaz en tournant le robinet de la bouteille de propane sur « CLOSED » (fermé). Attendez 5 minutes pour que le gaz se dissipe. Suivez les instructions du chapitre « Détecter une fuite ».
	La pile doit être changée.	Remplacez la pile AA (suivez les instructions relatives à l'installation de la pile).
	Allumeur défectueux	Allumez le foyer à la main avec une allumette en observant les instructions de la rubrique « Instructions d'allumage ». Si le foyer s'allume avec l'allumette, remplacez l'allumeur; contactez le service à la clientèle au 888 398-8643.
	Obstruction de la veilleuse ou de l'orifice	Nettoyez la veilleuse : téléchargez et observez les instructions de nettoyage appropriées sur BlueRhino.com .
	Air dans la conduite de gaz	<ol style="list-style-type: none"> Ouvrez et purgez la conduite de gaz (en appuyant sur le bouton de commande) durant pas plus de 1 à 2 minutes ou jusqu'à ce qu'il y ait une odeur de gaz. Tournez le bouton de commande à « ⚠ ARRÊT ». Attendez 5 minutes que le gaz se dissipe. Allumez le foyer selon les instructions de la rubrique « Pour allumer ».
Le brûleur ne s'allume pas Note : Lorsqu'il fait moins de 5 °C (40 °F) le rendement thermique du foyer est plus faible.	Le bouton de commande N'EST PAS à la position ON	Relisez la rubrique « Pour allumer » et essayez de nouveau
	Le bouton de commande EST à la position ON	Relisez la rubrique « Pour allumer » et essayez de nouveau
	La bouteille de propane est vide ou presque vide	Échangez, remplissez ou remplacez la bouteille de propane.
	Il y a une fuite de propane.	<ol style="list-style-type: none"> Tournez le robinet de la bouteille de propane à « CLOSED ». Attendez 5 minutes que le gaz se dissipe. Suivez les instructions de la rubrique « Détecter une fuite ».
	Obstruction de l'orifice	Désobstruez l'orifice : téléchargez et observez les instructions de nettoyage appropriées sur BlueRhino.com .
	Le raccord entre le robinet de la bouteille de propane et le brûleur est lâche	<ol style="list-style-type: none"> Éteignez le foyer selon les instructions de la rubrique « Pour éteindre ». Débranchez la bouteille de propane selon les instructions de la rubrique « Débrancher la bouteille de propane ». Resserrez le raccord. Faites une détection de fuite selon les instructions de la rubrique « Détecter une fuite ». Allumez le foyer selon les instructions de la rubrique « Pour allumer ».
	Le thermocouple ne fonctionne pas correctement.	<ol style="list-style-type: none"> Débranchez la bouteille de propane en suivant les instructions du paragraphe « Débrancher la bouteille de propane ». Nettoyez la zone autour du thermocouple. Rebranchez la bouteille de propane en suivant les instructions du paragraphe « Brancher la bouteille de propane ». Rallumez en suivant les instructions du paragraphe « Pour allumer ». Si le foyer d'extérieur ne fonctionne toujours pas, veuillez contacter le Service à la clientèle au 1 888 398-8643 pour que l'on vous aide.
Air dans la conduite de gaz	<ol style="list-style-type: none"> Ouvrez et purgez la conduite de gaz (en appuyant sur le bouton de commande) durant pas plus de 1 à 2 minutes ou jusqu'à ce qu'il y ait une odeur de gaz. Attendez 5 minutes que le gaz se dissipe. Suivez les instructions de la rubrique « Détecter une fuite ». 	

Guide de dépannage - Brûleur inférieur (suite)

Problème	Cause possible	Prévention/mesure correctrice
La veilleuse ne reste pas allumée Note : Lorsqu'il fait moins de 5 °C (40 °F) le rendement thermique du foyer est plus faible.	Accumulation de saleté autour de la veilleuse	Nettoyez la veilleuse : téléchargez et observez les instructions de nettoyage appropriées sur BlueRhino.com.
	Le raccord entre le robinet de la bouteille de propane et la veilleuse est lâche	<ol style="list-style-type: none"> 1. Éteignez le foyer selon les instructions de la rubrique « Pour éteindre ». 2. Débrancher la bouteille de propane selon les instructions de la rubrique « Débrancher la bouteille de propane ». 3. Resserrez le raccord. 4. Faites une détection de fuite selon les instructions de la rubrique « Détecter une fuite ». 5. Allumez le foyer selon les instructions de la rubrique « Pour allumer ».
	Air dans la conduite de gaz	Ouvrez et purgez la conduite de gaz (en appuyant sur le bouton de commande) durant pas plus de 1 à 2 minutes ou jusqu'à ce qu'il y ait une odeur de gaz.
Le brûleur ne reste pas allumé	Le thermocouple ne fonctionne pas correctement.	<ol style="list-style-type: none"> 1. Débranchez la bouteille de propane en suivant les instructions du paragraphe « Débrancher la bouteille de propane ». 2. Nettoyez la zone autour du thermocouple. 3. Branchez la bouteille de propane en suivant les instructions du paragraphe « Brancher la bouteille de propane ». 4. Rallumez en suivant les instructions du paragraphe « Pour allumer ». 5. Si le foyer d'extérieur en fonctionne toujours pas, veuillez contacter le Service à la clientèle au 1 888 398-8643 pour que l'on vous aide.
	Le raccord entre le robinet de la bouteille de propane et le brûleur est lâche	Resserrez le raccord et faites une détection de fuite.
	Obstruction du brûleur	<ol style="list-style-type: none"> 1. Éteignez le foyer selon les instructions de la rubrique « Pour éteindre ». 2. Désobstruez le brûleur et nettoyez-le à l'intérieur et à l'extérieur : téléchargez et observez les instructions de nettoyage appropriées sur BlueRhino.com. 3. Si le foyer ne fonctionne toujours pas, vous devrez peut-être commander des pièces de rechange; contactez le service à la clientèle au 1 888 398-8643.
Baisse de la hauteur des flammes du brûleur Note : Lorsqu'il fait moins de 5 °C (40 °F) le rendement thermique du foyer est plus faible.	La bouteille de propane est vide ou presque vide	Échangez, remplissez ou remplacez la bouteille de propane
	Il fait moins de 5 °C (40 °F) à l'extérieur et il reste moins de 25 % de propane dans la bouteille.	<ol style="list-style-type: none"> 1. Éteignez le foyer selon les instructions de la rubrique « Pour éteindre ». 2. Branchez une bouteille de propane pleine selon les instructions de la rubrique « Brancher la bouteille de propane ».
	Tuyau d'alimentation plié ou entortillé	<ol style="list-style-type: none"> 1. Éteignez le foyer selon les instructions de la rubrique « Pour éteindre ». 2. Redressez le tuyau. S'il est fissuré, procurez-vous un tuyau neuf chez le fabricant; contactez le service à la clientèle au 1 888 398-8643.
Rougeoiement inégal du diffuseur Note : Il n'y a normalement aucun rougeoiement sur environ 2,5 cm (1 po) au bas du diffuseur.	La bouteille de propane est vide ou presque vide	Échangez, remplissez ou remplacez la bouteille de propane.
	La surface sur laquelle repose la base n'est pas de niveau.	Placez le foyer sur une surface de niveau.
	Obstruction du brûleur	<ol style="list-style-type: none"> 1. Éteignez le foyer selon les instructions de la rubrique « Pour éteindre ». 2. Une fois que le foyer s'est refroidi, désobstruez le brûleur et nettoyez-le à l'intérieur et à l'extérieur. 3. Téléchargez et observez les instructions de nettoyage approprié sur BlueRhino.com.
Fumée noire et dense	Obstruction du brûleur	<ol style="list-style-type: none"> 1. Éteignez le foyer selon les instructions de la rubrique « Pour éteindre ». 2. Une fois que le foyer s'est refroidi, désobstruez le brûleur et nettoyez-le à l'intérieur et à l'extérieur. 3. Téléchargez et observez les instructions de nettoyage approprié sur BlueRhino.com.

Pour toute assistance, veuillez consulter notre site internet MrBarBQProducts.com ou appelez le 1 888 398-8643.

**Vous avez besoin d'aide? Appelez le 1.888.398.8643.
Ne retournez pas au point de vente.**

**Pour pièces de rechange
1.888.398.8643**