

**HALO 36 ELEVATED  
MATCH LIT**

**NG & LP**

Fire is beautiful and also dangerous if not handled properly. Please have a qualified gas fitter setup and install this product according to local codes.

This product has been tested and certified by Labtest Certification Inc. as being safe, as long as these **minimum clearances** to adjacent materials are maintained.

**FOR OUTDOOR USE ONLY**

**NORTH AMERICA SPECIFICATIONS**

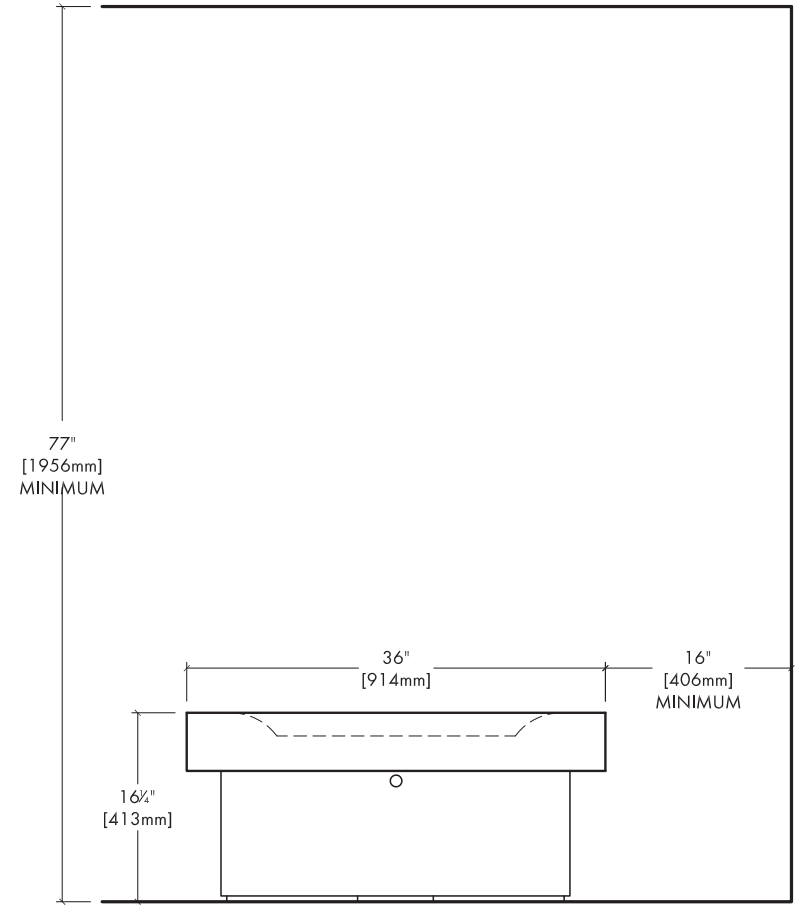
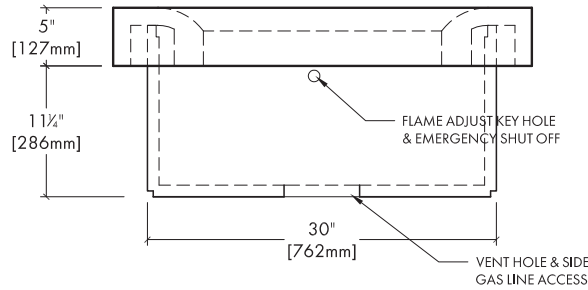
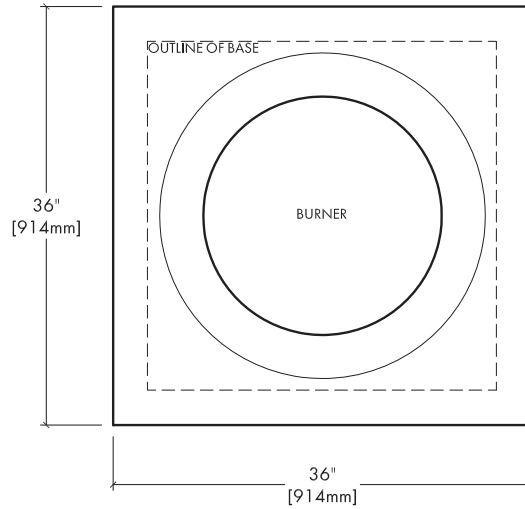
Gas type:	<u>Natural Gas</u>	<u>Propane</u>
Inlet press:	7.0" w.c.	11" w.c.
Manifold press:	5.8" w.c.	10.5" w.c.
Heat Output:	60,000 BTU	60,000 BTU

ANSI Z21.97-2014  
CSA 2.17-2017



**CONCRETE SPECS**

Strength:	10,000 psi (proprietary)
Weight:	Top - 244 lbs / 111 Kg Box & Base - 230 lbs / 105 Kg



**CLEARANCES to ADJACENT MATERIALS**

**ACCESSORIES**

- 1/ All Weather Fabric Cover /extends warranty.
- 3/ Clear Anodized Aluminum top / 1/4" plate with rubber feet / extends warranty
- 4/ Glass wind guard.

JOB / ORDER  
Name or Number:

Signature & Date:

# solus

Fire Features  
www.solusdecor.com

HALO 36 ELEVATED  
ELECTRONIC START NG & LP  
ADJUSTABLE FLAME

Fire is beautiful and also dangerous if not handled properly. Please have a qualified gas fitter setup and install this product according to local codes.

This product has been tested and certified by Labtest Certification Inc. as being safe, as long as these **minimum clearances** to adjacent materials are maintained.

FOR OUTDOOR USE ONLY

### NORTH AMERICA SPECIFICATIONS

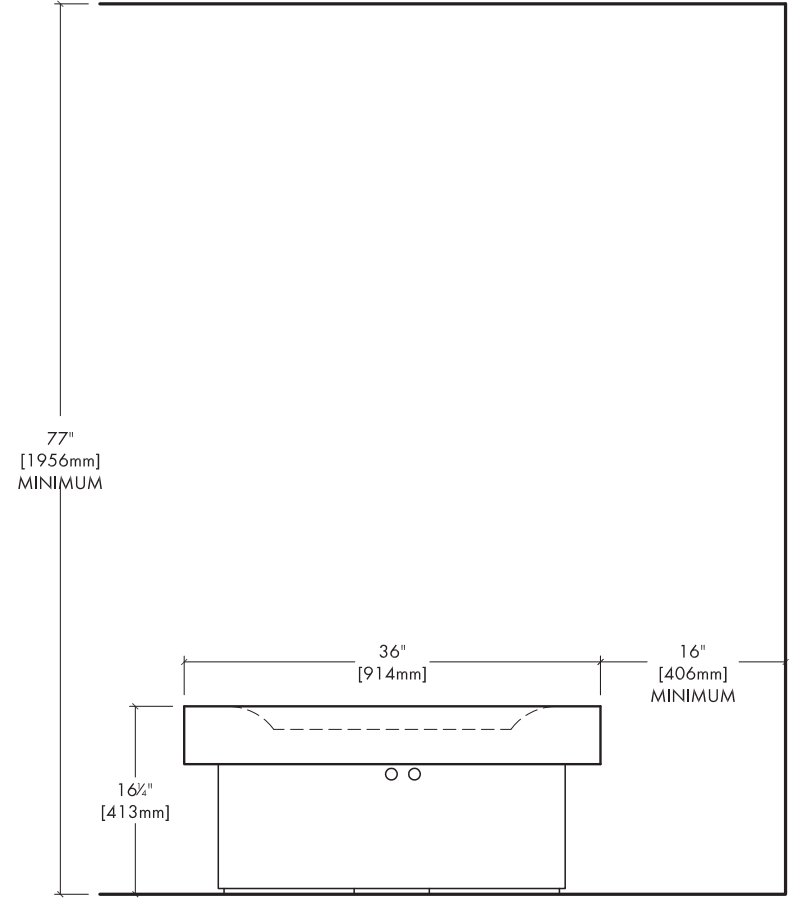
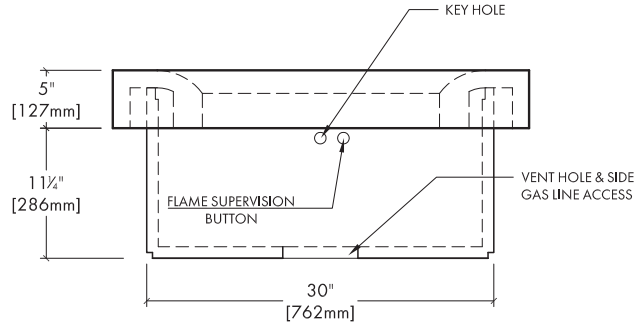
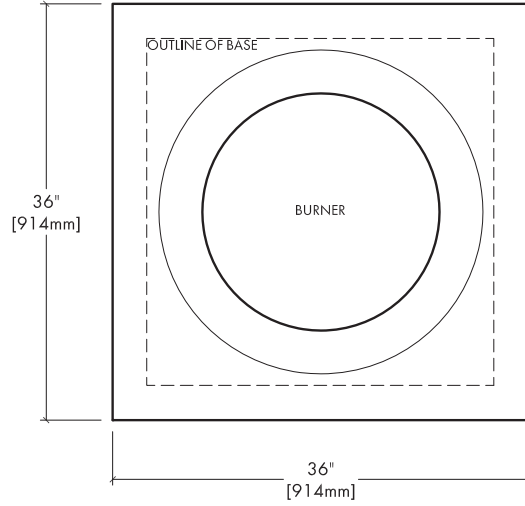
Gas type:	Natural Gas	Propane
Inlet press:	7.0" w.c.	11" w.c.
Manifold press:	5.8" w.c.	10.5" w.c.
Heat Output:	60,000 BTU	60,000 BTU

Electrical: 120 Vac, 1.5A, 60Hz or 24Vac, 20VA

ANSI Z21.97-2014  
CSA 2.17-2017 

### CONCRETE SPECS

Strength:	10,000 psi (proprietary)
Weight:	Top - 244 lbs / 111 Kg Box & Base - 230 lbs / 105 Kg



CLEARANCES to ADJACENT MATERIALS

**NOTE:**  
The site Electrician must provide a switched electrical line to the firepit location.  
SEE: *Electronic Ignition Set up Schematic.*

### ACCESSORIES

- 1/ All Weather Fabric Cover /extends warranty.
- 3/ Clear Anodized Aluminum top / 1/4" plate with rubber feet / extends warranty
- 4/ Glass wind guard.

JOB / ORDER  
Name or Number:

Signature & Date: