



INSTALLATION AND OPERATIONS MANUAL

Before using your Eco-Feu, please read this Installation and Operations Manual carefully. Keep this Installation and Operations Manual in a safe place for future reference.

Congratulations on your purchase of this quality Bio Ethanol Fireplace. Your Eco-Feu will create a unique ambiance with minimum installation and maintenance. Enjoy!

IMPORTANT INFORMATION

As a precaution, install a carbon monoxide detector in the room where you will be using the Eco-Feu and have in close proximity to the place where the unit is intended to be used, an approved type A-B-C extinguisher designed to put out flammable liquids Class 3, PG III.

For any question about your unit, please contact your local Eco-Feu retailer, visit us at www.eco-feu.com or e-mail us at info@eco-feu.com

CAUTION

Never fill or refill while the unit is burning or hot. Wait 20 minutes after the unit has gone before refilling. Never displace while the unit is burning.

DANGEROUS GOODS

Ethanol is classified as a flammable liquid Class 3, PG III and is regulated by various standards around the world. You must comply with these regulations in order to safely store and use this fuel.

NEVER extinguish the flame with water

Eco-Feu products are not designed to be used as a primary source of heating. Their main purpose is decorative.

WARNING

NEVER USE YOUR UNVENTED DECORATIVE APPLIANCE IN AREAS WHERE FLAMMABLE VAPORS OR GAS MAY BE PRESENT.

WARNING

THIS APPLIANCE HAS NOT BEEN TESTED FOR USE WITH DOORS. TO REDUCE THE RISK OF FIRE OR INJURY, DO NOT INSTALL DOORS.

WARNING

THIS APPLIANCE HAS NOT BEEN TESTED WITH AN UNVENTED GAS LOG SET. TO REDUCE RISK OF FIRE OR INJURY, DO NOT INSTALL AN UNVENTED GAS LOG SET INTO THIS APPLIANCE.

IMPORTANT INFORMATION

Ethanol Fuel - To avoid possible risk of explosion and injury: Always use Eco-Feu ethanol in the unit. Never use gasoline or other types of combustible liquid or ethanol gel in the unit. Do not combine ethanol with water, incense, fragrance, gel and other liquids or products. Never fill the burner reservoir while it is operating, while a flame is visible or the unit is still very hot. Never store or transport the ethanol fuel in a container other than its original plastic container or in a metal container that is acceptable for use with ethanol in accordance with the Consumer Chemicals and Containers Regulations 2001.

Storage of fuel - Store ethanol containers at room temperature in a secure and dry place out of reach from children and pets. Store the ethanol away from an open flame and other heat sources. Keep the ethanol container closed. As a safety precaution, do not store the ethanol container in the living space where the Eco-Feu unit is installed or placed. Ethanol must be kept at room temperature for optimal combustion.

Fuel warning - Do not ingest, inhale vapour and do not expose ethanol to skin; in case of ingestion, inhalation or if irritation occurs, consult a physician or a Poison Control Centre and get immediate medical attention.

Hot Surfaces - Keep children, pets, clothing and furniture away from the unit while it is burning since it operates at hot temperatures. Keep in mind not to touch the protective glass and/or the burner while it is operating or still hot.

Placement - The unit is designed to be used in a well-ventilated area. Make sure the room where the unit is located is ventilated properly – only operate the unit in a well-ventilated area where an adequate normal supply of fresh air circulation is available. People with breathing problems should consult a physician before using the unit.

Do not use the unit for heating, boiling water or cooking purposes.

Do not throw waste materials or paper into the burning unit.

Do not attach any fuel tank to the unit.

Continuous use - The unit is not intended to operate continuously. To avoid accelerated wear of the unit, allow the unit to cool down completely on a regular basis;

Flame opening - Do not obstruct the open/close flame shutter mechanism of the burner. ONLY place the decorative pebbles supplied by Eco-Feu on top of the unit around the burner circumference away from the burner opening so that they will not obstruct the operation of the burner open/close shutter system.

Safe distance - Make sure curtains and any other flammable objects are at a minimum safe distance of 61 cm (24") on all sides when installing a wall mount or a free standing unit; consider the risk of curtains or other flammable objects moving closer to the unit by air drafts if the unit is placed in close proximity to windows or doors. Do not hang any piece of clothing or other flammable material on or close to the unit.

Refilling - Wait at least 20 minutes before refilling the burner after the flame has gone out or has been put out. Also wait 20 minutes after the flame has gone out or has been put out before touching or removing the protective glass.

Accessories – Do not use decorative accessories other than ceramic fire logs and decorative pebbles recommended by Eco-Feu.

Tabletop and Freestanding - Use the unit on a flat levelled surface only. Never move the unit while it is burning.

Not in use – When not in use, close the burner opening using the shutter.

Oxygen tanks - Do not use close to any equipment using an oxygen tank.

Usage - It is recommended that only adults aged 18 and over operate the unit. When in use, the unit should never be left without supervision of an adult.

GENERAL OPERATION

Be sure to remove all wrapping, labels, stickers and packaging components around the unit and make sure there are no flammable materials in close proximity prior to use.
Follow the directions in this Installation and Operation Manual at all times.

FUEL AND FILLING

CAUTION: NEVER fill the burner while it is still in operation, whether or not a flame is visible or while the burner is still hot. Allow the burner to cool for 20 minutes after it has gone out or has been put out before removing the protective glass, touching the unit or refilling.

CAUTION: Under some daylight conditions, the flame is barely visible or colourless when first lit or when the ethanol level in the burner is low. Verify that the burner is completely extinguished before refilling. Follow the safety precautions described in this Installation and Operation Manual.

ONLY USE ECO-FEU SUPERIOR QUALITY BIO ETHANOL IN YOUR ECO-FEU UNIT

Before filling, make sure the burner is off. Do so by closing the shutter for 10 seconds prior to filling. To facilitate the filling process, remove the protective glass and place it in a safe area.

Fill the burner compartment with Eco-Feu ethanol using the Easy-Pour Spout included with your unit. Screw the Easy-Pour Spout to the ethanol container. Make sure the Easy-Pour Spout valve is in the closed position. Place the tip of the spout directly inside the burner opening. Slowly, partially open the valve and fill the burner right up to the maximum marker, making sure not to exceed the maximum filling mark (MAX) indicated inside the burner. Once the fuel level has reached just below the Max marker, close the valve. Slowly remove the spout from inside the burner opening taking into consideration that there may be fuel left in the pouring spout.

Once filled, put the protective glass back into position.

Any spilt ethanol fuel must be cleaned immediately with a dry absorbent cloth. After cleaning, wash the absorbent cloth thoroughly with water to rinse off any ethanol residue.

In case of fuel spillage in the overflow container, remove the burner, wipe the overflow completely with a dry absorbent cloth and replace the burner into the overflow container before lighting the unit.

By keeping the unit clean of any ethanol residue, it will prevent the ignition of residue outside of the burner when it is lit.

Make sure the burner of the unit sits firmly inside the overflow container before lighting the unit.

Avoid any contact of ethanol to your skin or eyes. In case of skin or eye contact, flush the exposed part thoroughly with cool water for 15 minutes. Avoid ingesting and directly inhaling. Seek immediate medical attention or a Poison Control Centre if symptoms persist after contact with ethanol.

Make sure not to spill ethanol on carpets, lacquered floors, furniture, and other surfaces as ethanol spills could cause surface discolouration and damage.
Keep the ethanol in its closed ethanol container.

Always store the ethanol container in a secure place out of the reach of children and pets.

LIGHTING

BEFORE LIGHTING MAKE SURE THE PROTECTIVE GLASS IS IN THE CORRECT POSITION.

As a safety precaution, place the ethanol container at a minimum distance of 2m (6 1/2 ft.) from the unit prior to lighting it.

When re-igniting a unit that has not been in operation for a day or more, it is important to open the burner for 5 minutes prior to lighting to allow any residual vapour to escape. It is also important to make sure the burner is filled up to the max fill marker before lighting.

Do not light the unit when in the presence of an open flame, sparks or ignition sources such as a cigarette, electric heaters or other such sources.

Do not stand over the burner while lighting; always light the burner from the side and never have any body parts over the opening of the burner.

Use a long 28 cm (11in) lighter such as a BBQ Lighter to light the ethanol. Bring the lighter's flame into contact with the ethanol fuel.

Once lit, the flame will be small and blue. It will take 20 to 45 minutes (depending on the model) for the flame to reach its maximum intensity.

Once in operation, do not touch the unit, the protective glass or the burner.

These parts will get hot and can cause burns.

Never blow air directly into the flame as it could cause a fire hazard.

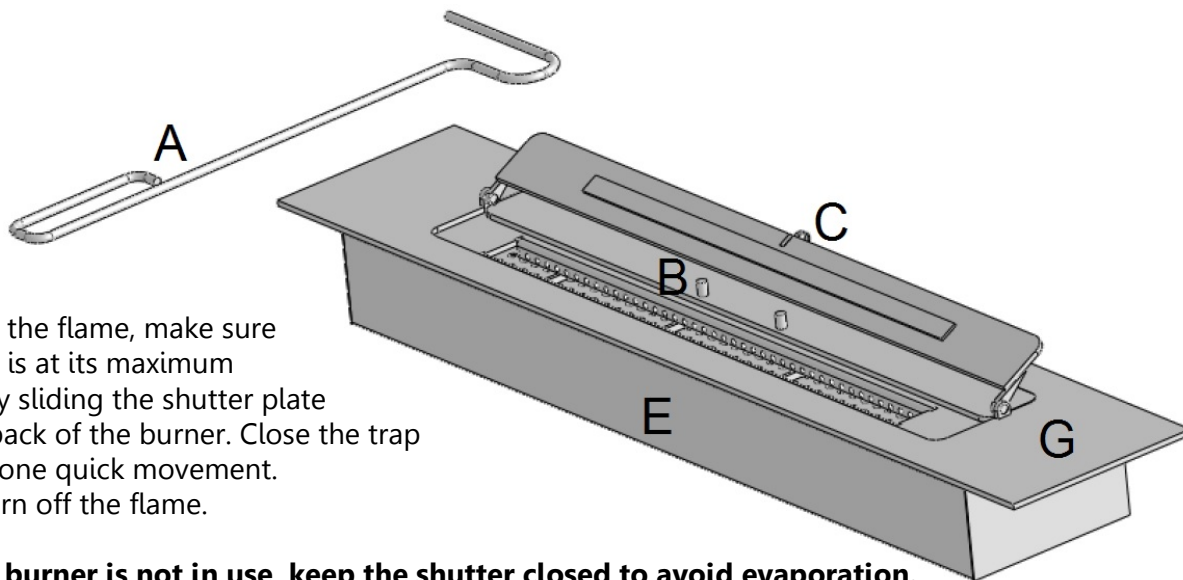
ADJUSTING THE FLAME INTENSITY

Wait 20 to 45 minutes after lighting the flame before adjusting the intensity. It is important for the flame to have reached its maximum intensity before adjusting it. Once the flame has reached its maximum intensity, reduce the flame opening using the control shutter handle 'A' shown in the illustration below.

TURNING OFF THE FLAME

Always keep the protective glass in position.

Whenever possible, let the ethanol burn up until the flame goes out naturally by running out of fuel.



To put out the flame, make sure the burner is at its maximum opening by sliding the shutter plate 'B' to the back of the burner. Close the trap door 'C' in one quick movement. This will turn off the flame.

When the burner is not in use, keep the shutter closed to avoid evaporation.

EMERGENCY MEASURES

CAUTION: Never extinguish the ethanol flame with water - explosion hazard

Appropriate Extinguishing Equipment: CO₂, foam, powder dry chemical extinguisher such as type A-B-C dry chemical extinguisher.

Specific hazard: Flammable fuel - flame cannot be extinguished with water.

In the case of a burning ethanol spill occurring outside of the burner, quickly extinguish the fire source using a dry chemical extinguisher such as type A-B-C extinguisher.

If for some reason an A-B-C dry chemical extinguisher is not within reach, use a large cloth soaked in water to cover, control and choke the flame as a fall-back emergency measure.

Ventilation

All Eco-Feu units operate without a chimney and do not require exhaust systems. The combustion of ethanol produces water vapour and a small quantity of carbon dioxide comparable to human breath when used in accordance with the recommendations of this Manual.

Do not install a unit in a bathroom or in a bedroom. Ethanol fire products should not be used in a room smaller than 1000 cubic feet (10' x 12' x 8')

In all cases, it is recommended to keep doors of adjacent rooms and/or windows slightly open to allow fresh air circulation for a few minutes every hour to insure adequate air recycling.

MAINTENANCE

Only use a damp clean cloth to clean the unit. Never use chemical cleaning products, scrubbing powder, steel wool, or hard sponges to clean the unit as it may damage to the unit.

IMPORTANT: The warranty does not cover risks of rusting. If used outdoors, the unit must be completely sheltered from the elements. Always keep the unit away from rain and/or excessive humidity. Keep in mind to always properly dry the unit after cleaning it with a damp cloth.

PERIODIC SERVICE REQUIREMENT: VERIFY OPERATION OF MANUAL SHUTOFF DEVICE.

INSTALLATION REQUIREMENTS

The anchoring screws are not supplied with the unit. It is up to the owner and installer to purchase the proper screws for the type of stud or material they will be fixing the mounting brackets to.

Always consult a qualified construction professional when making modifications to any wall.

The unit must be installed in a secure and levelled position using anchorage hardware (screws, toggle bolts, wall fasteners etc.) that are appropriate to solidly fix the unit to the structural elements of the wall (wood studs, metal studs, cement block structural wall, etc.).

Consult a qualified construction professional about the appropriate hardware specifications and building precautions to securely install the mounting brackets and unit to the wall.

As a general guideline, the wall mounted unit must be fixed to withstand a minimum pressure of 68 kg (150 lbs) vertically and horizontally along the wall plane.

Install the unit with a minimum clearance of 30.5 cm (12 in) from the floor and 61 cm (24 in) from the ceiling.

Do not install directly on or beside wallpaper, furniture, mirrors, fittings, laminate or any surfaces that are not fire resistant as the heat will impact the appearance and physical properties of those materials.

Position the unit at a minimum of 61cm (24in) away horizontally from curtains, and other flammable materials. Take into account possible air drafts coming from adjacent doors and windows to determine the applicable safe distance from those openings to install your unit.

Always securely install the protective glass guard provided with the unit according to the Installation section of this manual.

CAUTION

Risks of burns. Do not operate the unit without the protective glass guard completely attached.

WARNING

DO NOT PACK REQUIRED AIR SPACES WITH INSULATION OR OTHER MATERIALS.

INSTALLATION INSTRUCTIONS

Never obstruct the air spacing (created by the mounting brackets) in between the back of the unit and the wall itself.

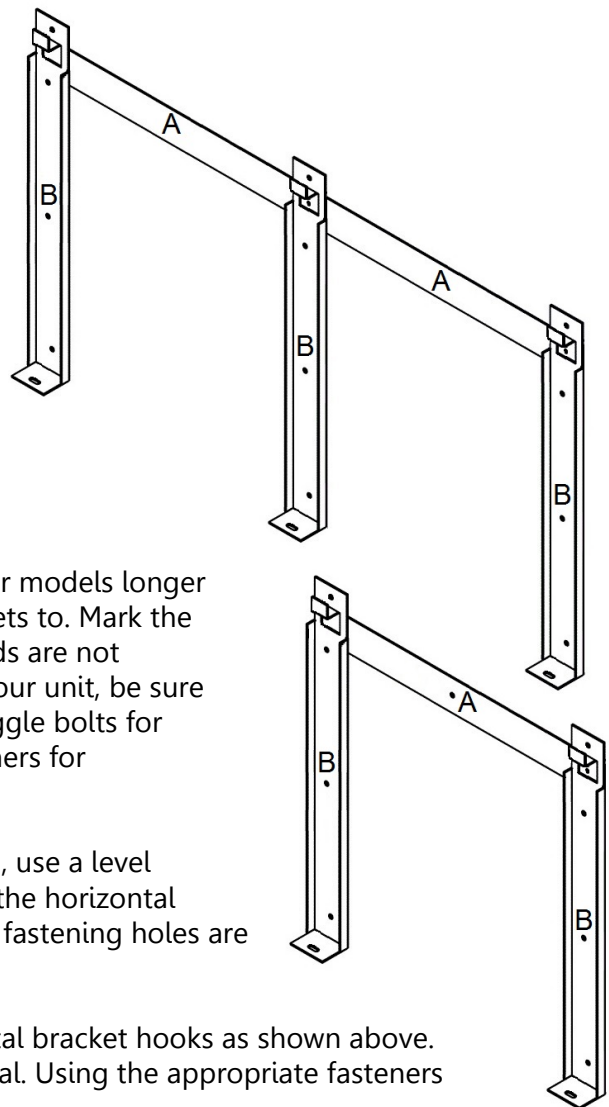
Recommended minimum clearances around a Wall Mounted Model

Overhead: 60cm (24in)

Sides: 30cm (12in)

From floor: 30cm (12in)

Front: Accessible at all times



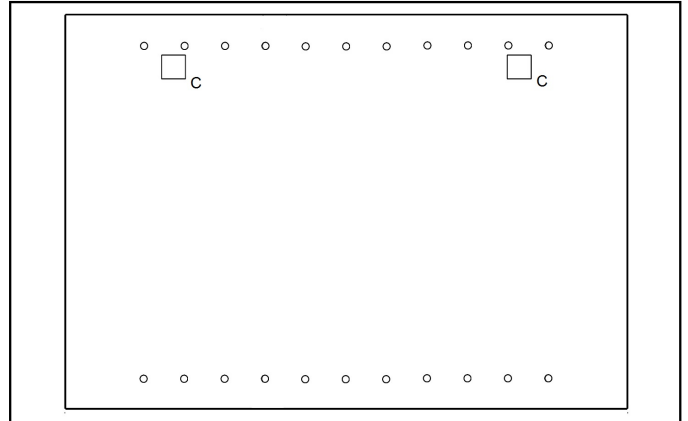
1. Anchoring the Mounting Brackets to the Wall

- a. Using a stud finder, locate 2 studs (3 studs for models longer than 45") 16" apart to attach your wall brackets to. Mark the location of each stud with a pencil. If the studs are not centered to where you would like to install your unit, be sure to use appropriate wall fasteners (such as toggle bolts for drywall and other types of appropriate fasteners for corresponding types of walls).
- b. To ensure the installation is perfectly levelled, use a level and the proper anchoring hardware. First fix the horizontal bracket 'A' to the studs or wall structure. The fastening holes are 16" apart to align with studs.
- c. Hang the vertical brackets 'B' on the horizontal bracket hooks as shown above. Use a level to ensure they are perfectly vertical. Using the appropriate fasteners

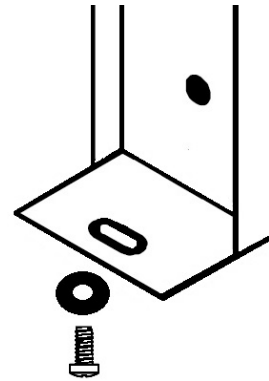
fix the brackets to the wall. The installed wall brackets 'A' and 'B' must be fixed to withstand a minimum pressure of 68 kg (150 lbs) vertically and horizontally along the wall plane.

2. Unit Installation

- a. With the help of a second person, hang the unit by lining up the hooks on the horizontal bracket 'A' with the square holes 'C' on the back of the unit. Make sure the bottom of the unit is sitting on the bottom edge of the vertical brackets 'B' brackets.

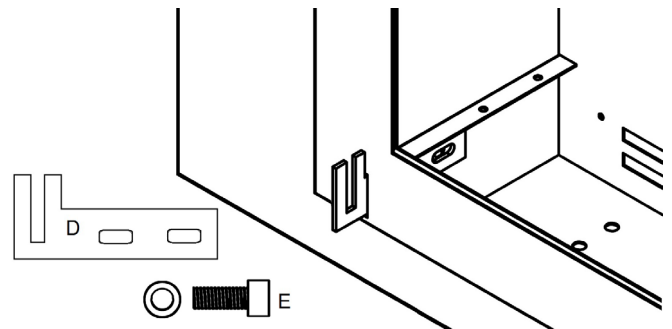


- b. Lock the unit into position by using the black screws and washers included with your unit. Screw the lock screws through the washers, through the holes on the bottom ledge of the vertical brackets and into the unit itself.



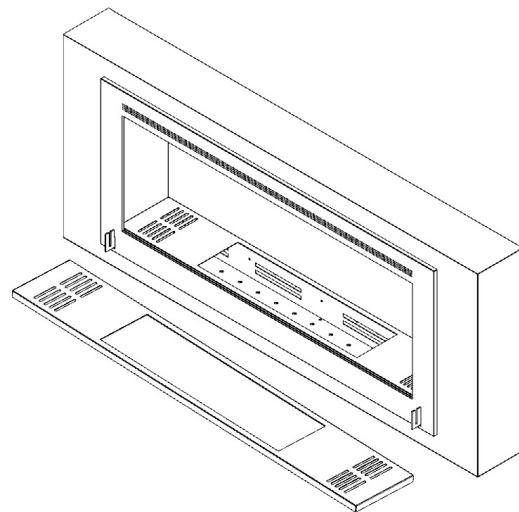
3. Glass Holding Brackets

- a. Place the glass holding brackets 'D' into position.
- b. Fix them into place using a washer, the socket cap recessed hex screws 'E' and the Allen key included with the unit. The glass holding brackets can be adjusted to ensure the glass sits perfectly vertical.

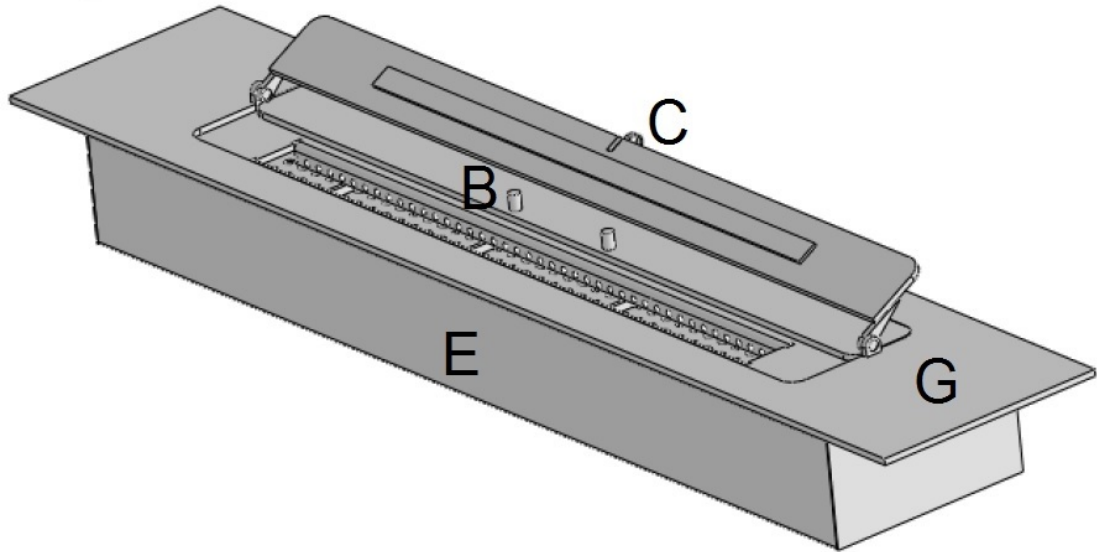


4. Burner Installation

- a. Place the burner rack into position. (Some models already have the burner rack in position)



- b. Place the burner 'G' into the overflow container 'E' as shown in the illustration.

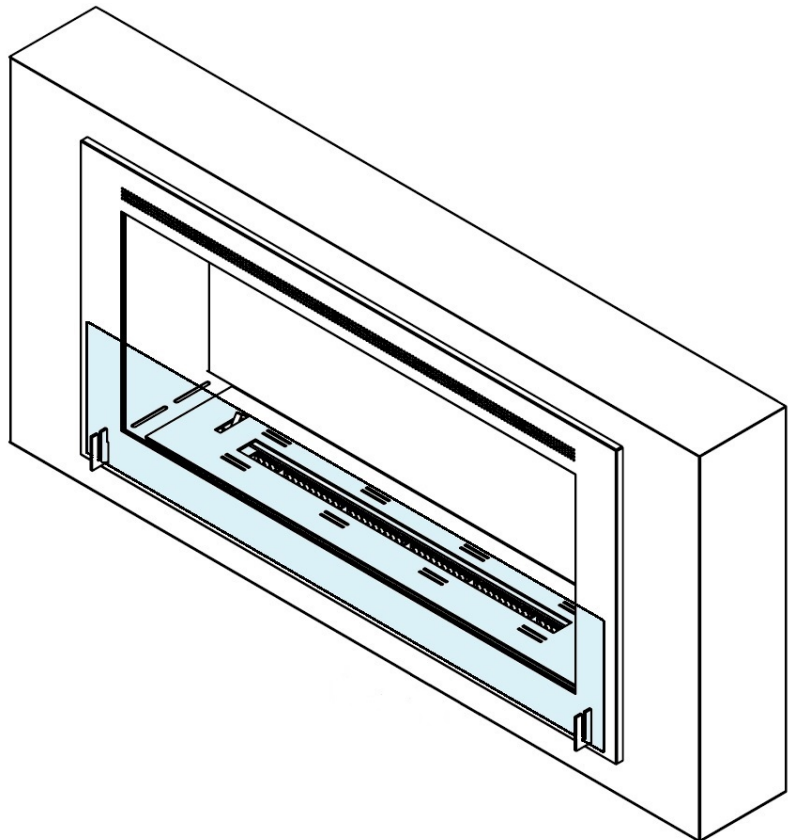


- c. Place the burner and overflow into the slot in the burner rack inside the unit.

Make sure the burner opening is towards the front of the unit, and that the shutter plate 'B' is closer to the backside and that the trap door 'C' opens towards the back as shown in the illustration. Make sure the burner shutter opens and closes smoothly by following the instructions on page 4.

5. Protective Glass

- a. Place the tempered safety glass onto the glass holding brackets 'D'.



BUILT-IN INSTALLATION

ALWAYS CONSULT A QUALIFIED CONSTRUCTION PROFESSIONAL WHEN MAKING MODIFICATIONS TO ANY WALL

- a. Whether you are building a new wall, or building the unit into an existing wall, the depth of the opening where the unit will be built-in should not be more than 6". If you are finishing the wall with stone or another material, take the depth of the finishing material into consideration.
- b. The opening should be 10" taller and 10" wider than the external dimensions of the unit. This will mean if the unit is centered in the opening, there will be 5" of space on either side, 5" on top and 5" underneath once it is installed. Do not obstruct the air circulation around the unit.
- c. The top, bottom, back and both sides of the opening must be completely covered by a non-flammable material such as cement board. Do not seal the corners of the opening.

The structure of the opening must be built so that once the unit is installed it can withstand a minimum pressure of 68 kg (150 lbs) vertically and horizontally along the wall plane.

- d. To install the Mounting Brackets in the opening, follow the 'Installation Instructions' on page 6. The bottom of the vertical brackets 'B' must be installed at a minimum of 5" from the bottom of your opening.
- e. The finishing on the outside of the wall on top, underneath and on both sides of the unit can come sit flush on the outside of the unit to cover the extra space surrounding the unit in the opening.

ECO-FEU THREE-YEAR LIMITED WARRANTY

ECO-FEU Ethanol products are warranted to be free of material defects for a period of 3 years from the date of purchase.

The warranty does not apply to misuse, abuse, discoloration, wear and tear or damage caused by inappropriate operation or by not directly following the recommended operation use by the Eco-Feu Installation and Operations Manual. ECO-FEU is not responsible for wrongful handling of its product or the Ethanol fuel, whether directly or indirectly, causing direct or indirect damage to and individual or property.

This Warranty shall be void in the case of an accident resulting from the negligence, lack of proper supervision, lack of maintenance or user's modification to the product.

ECO-FEU PRODUCTS ARE ONLY GARANTEED WITH THE USE OF ECO-FEU SUPERIOR QUALITY BIO ETHANOL FUEL.

The Warranty does not cover the risks of rust damage. The product should be kept sheltered from snow, rain and significant humidity at all times.

If the product is found defective within the warranty period, ECO-FEU undertakes to, at its own option, to replace or repair the product. The installation fees are not covered by this Warranty. ECO-FEU and/or seller disclaim any liability for special, incidental or consequential damages.

This warranty certificate along with proof of date of purchase must be in hand when making any claim.

MODEL NO. _____ PURCHASER: _____

SERIAL NO. _____ PURCHASED AT: _____

DATE OF PURCHASE: _____

For warranty claims, please contact your local distributor. If there is not a local distributor in your area, please visit ECO-FEU's website (www.eco-feu.com) to get a distributor nearest to you or contact Eco-Feu directly at (866) 435-1772 or by email at info@eco-feu.com.