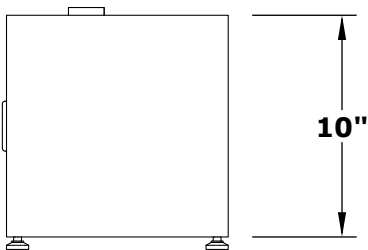
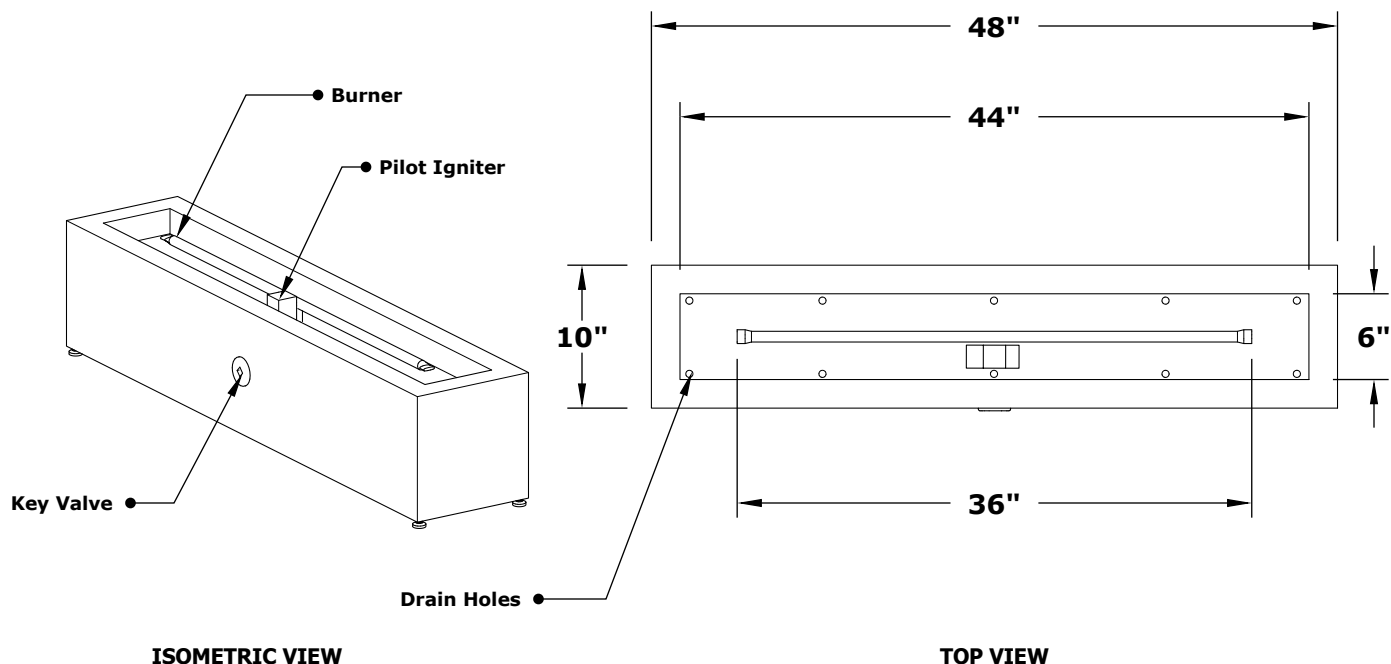
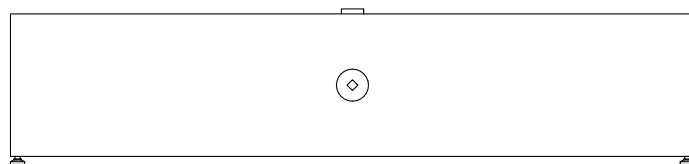


# EAVES FIRE PIT



**RIGHT SIDE VIEW**



**FRONT SIDE VIEW**

Hammered Copper	Corten Steel	Stainless Steel	Powder Coat	A	B	C	D	E	F	BTU
OPT-LBTCPR48	OPT-LBTCS48	OPT-LBTSS48	OPT-LBTPC48	48"	10"	10"	44"	6"	36"	65,000
OPT-LBTCPR60	OPT-LBTCS60	OPT-LBTSS60	OPT-LBTPC60	60"	10"	10"	56"	6"	48"	65,000
OPT-LBTCPR72	OPT-LBTCS72	OPT-LBTSS72	OPT-LBTPC72	72"	10"	10"	68"	6"	60"	65,000

Fire Pit Material: Various Metals  
Pan Material: 304 Stainless Steel  
Burner Material: 304 Stainless Steel  
Standard 2" Depth on all pans

**110V ELECTRONIC IGNITION**  
ANSI Z21.97-(2017) / CSA 2.41-(2017)



Match Lit Unit Includes: Pan, Burner, Gas Orifice, Gas Hoses, Key Valve, Key,  
110v Ignition Unit Includes: Pan, Burner, Gas Orifice, Gas Hoses, Key Valve, Key, Plug & Play Electronic Valve, Pilot Igniter.