

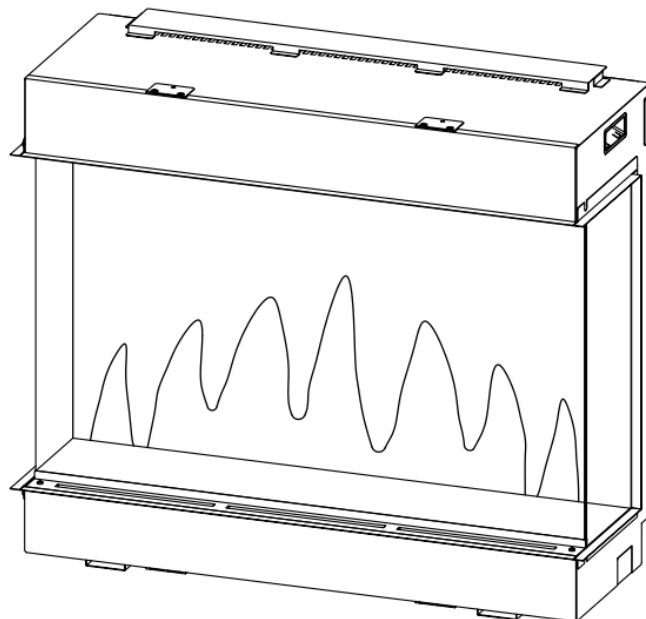
# DYNASTY FIREPLACES

Melody Series | Série Melody

3-sided smart electric fireplace • Foyer électrique intelligent à 3 faces



## Installation Instructions & Operating Manual Manuel d'Installation & d'Utilisation



### Models / Modèles

**DY-BTS35 / DY-BTS40 / DY-BTS60**

READ CAREFULLY BEFORE ATTEMPTING TO ASSEMBLE, INSTALL, OPERATE, OR MAINTAIN THIS PRODUCT.

PROTECT YOURSELF AND OTHERS BY OBSERVING ALL SAFETY INFORMATION. FAILURE TO COMPLY WITH INSTRUCTIONS COULD RESULT IN PERSONAL INJURY AND/OR PROPERTY DAMAGE.

LIRE ATTENTIVEMENT AVANT D'ESSAYER D'ASSEMBLER, D'INSTALLER, D'UTILISER, OU D'ENTREtenir CE PRODUIT.

PROTÉGEZ-VOUS ET VOTRE ENTOURAGE EN RESPECTANT LES CONSIGNES DE SÉCURITÉ. LE NON-RESPECT DE CES CONSIGNES POURRAIT CAUSER DES BLESSURES CORPORELLES ET / OU DES DOMMAGES MATÉRIELS.

**WARNING:** To reduce risk of fire, electrical shock, or personal injury, read and understand all instructions, including safety information before plugging in and operating.

**AVERTISSEMENT:** Pour réduire le risque d'incendie, de décharge électrique, ou de blessures corporelles, lisez et assurez-vous de comprendre toutes les instructions, y compris les consignes de sécurité, avant de brancher et d'utiliser cet appareil.



3231 No. 6 Road, Unit 127, Richmond, BC V6V 1P6 Canada  
PHONE: +1 877-521-1009 | support@dynastyfireplaces.com | dynastyfireplaces.com

For setup guides, full product specs, and warranty information, please visit us at:

[support.dynastyfireplaces.com](https://support.dynastyfireplaces.com)



Contact us:

[support@dynastyfireplaces.com](mailto:support@dynastyfireplaces.com)

1-877-521-1009

# SAFETY INFORMATION

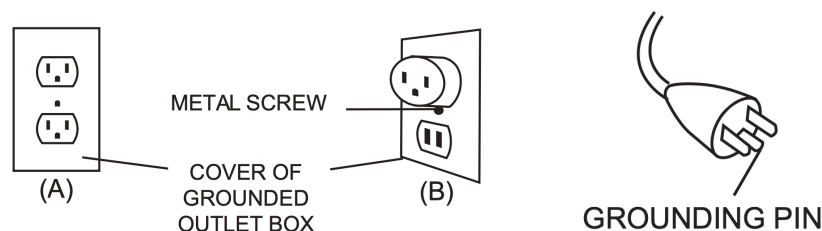
---

- **Read all instructions before using this heater!**
- This heater is **hot when in use**. To avoid burns, **DO NOT** let bare skin touch **hot** surfaces. If provided, use handles when moving this heater. Keep **combustible materials**, such as furniture, pillows, bedding, papers, clothes, and curtains at least **3 feet (0.9m)** from the **front of the heater** and **keep them away from the sides and rear**.
- **Extreme caution** is necessary when any heater is used by or near **children** or **invalids** and whenever the heater is left **operating and unattended**.
- **DO NOT** operate any heater with a **damaged cord or plug** or after the **heater malfunctions**, has been **dropped** or **damaged in any manner**. Discard heater or return to authorized service facility for examination and/or repair.
- **DO NOT** run **power cord** under carpeting. **DO NOT** cover power cord with throw rugs, runners, or similar coverings. **DO NOT** route power cord under furniture or appliances. Arrange power cord **away from traffic** area, and where it will not be tripped over.
- **DO NOT** insert or allow **foreign objects** to enter any **ventilation or exhaust opening**, as this may cause **electric shock** or **fire**, or **damage the heater**.
- To prevent a possible fire, **DO NOT** block air intakes or exhaust in any manner. Doing so could cause a **fire**. **DO NOT** use on soft surfaces, like a bed, where openings may become blocked.
- A heater has **hot and arcing or sparking parts inside**. **DO NOT** use it in areas where **gasoline, paint, or flammable liquids** are used or stored.
- **Use this heater only as described in this manual**. Any other use not recommended by the manufacturer may cause fire, electric shock, or injury to persons.
- **ALWAYS** plug heaters directly into a wall outlet/receptacle. **NEVER** use with an extension cord or relocatable power tap (outlet/power strip).
- **DO NOT** place the heater near a bed because objects such as pillows or blankets can fall off the bed and be ignited by the heater.
- **NEVER** use this heater in **bathrooms, laundry rooms**, or any other location where the heater could fall into a **bathtub** or **pool**, become damp, or come in contact with water.
- **AVOID FIRE!** Regularly inspect all air vents to make sure they are free from dust, lint, or other blockage. **Unplug the unit** and clean with a **vacuum ONLY**. **DO NOT** rinse or get wet.
- **NEVER** hang this unit on a wall **directly below an electrical outlet**.
- **NEVER** permanently install in a recessed area of the wall. This may result in **blocked air flow, overheating, or fire**.
- **ALWAYS** secure to wall framing before use.

# SAFETY INFORMATION

- **WARNING: REDUCE THE RISK OF FIRE OR ELECTRIC SHOCK--DO NOT USE THIS HEATER WITH ANY SOLID-STATE SPEED CONTROL DEVICES.**
- This product is **not intended** to be a **primary heat source**. It is for **supplemental heat only**.
- **INDOOR use only! NEVER use this heater outdoors!** Doing so may result in **electric shock!**
- **Risk of electric shock! DO NOT OPEN!** No user-serviceable parts inside!
- **NEVER modify this heater.** Doing so could result in personal **injury** or property **damage**. Modification of this fireplace **completely voids all warranties**.
- **ALWAYS** turn this heater off before unplugging it from the outlet.
- **ALWAYS disconnect** this unit from the **power** supply **before** performing any assembly or cleaning, or before relocating the electric fireplace.
- **NEVER** leave this heater unattended. **ALWAYS** unplug this heater when not in use.
- **ALWAYS** store this heater in a dry location. **NEVER** use the fireplace if it has become wet.
- **ONLY** use this heater on a **120V AC 15-Amp circuit**. **NEVER overload the circuit**. If this heater trips the circuit breaker, unplug all other appliances on the same circuit before the next use. Avoid plugging other appliances into the same circuit as this heater.
- **NEVER** plug this heater into an outlet that is **old, cracked,** or has any **loose wires or connections**. Plugging this heater into a faulty outlet could result in **electric arcing** within the outlet that could cause the **outlet to overheat or catch fire**.
- **ALWAYS** check your heater cord and plug connections with **each use!**
  1. **MAKE SURE** the plug fits tight in the outlet! Faulty wall outlet connections or loose plugs can cause the outlet to overheat.
  2. **Heaters draw more current** than small appliances. **Overheating** may occur even if it has not occurred with the use of other appliances.
  3. During use **check frequently** to see if the **plug outlet or faceplate is HOT!** If the outlet or faceplate is **HOT, discontinue use immediately** and have a qualified electrician inspect and/or replace the faulty outlets.

This heater has a polarized plug (one blade is wider than the other). As a safety feature to reduce the risk of electrical shock, this plug is intended to fit in a polarized outlet only one way. If the plug does not fit fully in the outlet, reverse the plug. If it still does not fit, contact a qualified electrician. Do not attempt to defeat this safety feature.



# FCC Statement:

This device complies with part 15 of the FCC Rules. Operation is subject to the following two conditions: (1) This device may not cause harmful interference, and (2) this device must accept any interference received, including interference that may cause undesired operation.

## **FCC warning:**

Any Changes or modifications not expressly approved by the party responsible for compliance could void the user's authority to operate the equipment.

Note: This equipment has been tested and found to comply with the limits for a Class B digital device, pursuant to part 15 of the FCC Rules. These limits are designed to provide reasonable protection against harmful interference in a residential installation. This equipment generates uses and can radiate radio frequency energy and, if not installed and used in accordance with the instructions, may cause harmful interference to radio communications. However, there is no guarantee that interference will not occur in a particular installation. If this equipment does cause harmful interference to radio or television reception, which can be determined by turning the equipment off and on, the user is encouraged to try to correct the interference by one or more of the following measures:

- Reorient or relocate the receiving antenna.
- Increase the separation between the equipment and receiver.
- Connect the equipment into an outlet on a circuit different from that to which the receiver is connected.
- Consult the dealer or an experienced radio/TV technician for help.

# IC Statement:

This device complies with Industry Canada license-exempt RSS standard(s).

Operation is subject to the following two conditions:

- (1) This device may not cause interference, and
- (2) This device must accept any interference, including interference that may cause undesired operation of the device.

This equipment complies with IC RSS-102 radiation exposure limits set forth for an uncontrolled environment. This equipment should be installed and operated with minimum distance 20cm between the radiator & your body.

# 1. GENERAL SPECIFICATIONS

## ELECTRICAL SPECIFICATIONS (all models)

INPUT VOLTAGE	120V AC, 60 Hz
CABLE LENGTH	72", 1.8m
MAX. POWER CONSUMPTION	1500W
HEAT OUTPUT	1500W Nominal
	1500W Max.
	750W Min.

## FLAME ONLY OPERATION

DY-BTS35	DY-BTS40	DY-BTS60
27 W	28 W	46 W

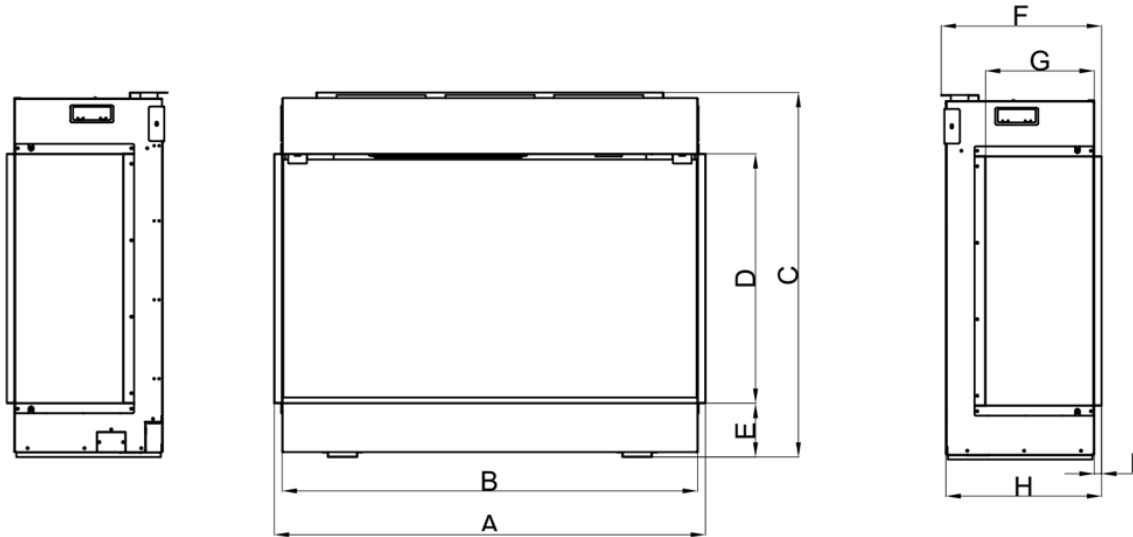
## AMBIENT LIGHTING

DY-BTS35	DY-BTS40	DY-BTS60
17 W	25 W	26 W

## WiFi OPERATION

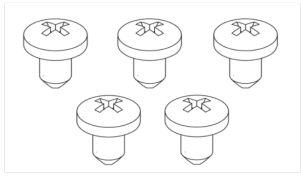
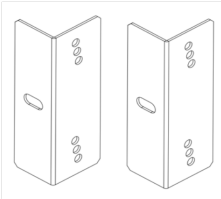
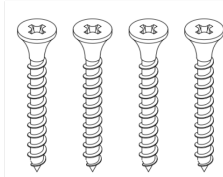
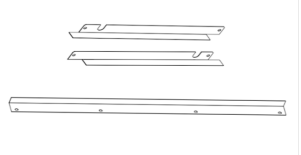

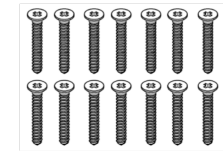


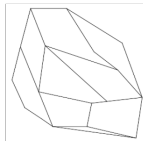

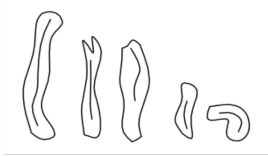
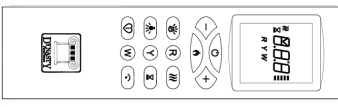
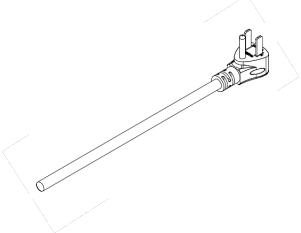


- Controlled via Dynasty app
  - Connect on 2.4 GHz network only
- WiFi 802.11 b/n/g

## 1.1 PRODUCT DIMENSIONS



Model	A	B	C	D	E	F	G	H	I
DY-BTS35	872 mm	840 mm	739 mm	506 mm	110 mm	325 mm	220 mm	315 mm	15 mm
	34 3/8 in.	33 in.	29 in.	20 in.	4 3/8 in.	12 3/4 in.	8 5/8 in.	12 3/8 in.	1/2 in.
DY-BTS40	1032 mm	1000 mm	633 mm	400 mm	110 mm	325 mm	220 mm	315 mm	15 mm
	40 5/8 in.	39 3/8 in.	25 in.	15 3/4 in.	4 3/8 in.	12 3/4 in.	8 5/8 in.	12 3/8 in.	1/2 in.
DY-BTS60	1632 mm	1600 mm	633 mm	400 mm	110 mm	325 mm	220 mm	315 mm	15 mm
	64 1/4 in.	63 in.	25 in.	15 3/4 in.	4 3/8 in.	12 3/4 in.	8 5/8 in.	12 3/8 in.	1/2 in.

# 1.2 PACKAGE CONTENTS

 <p>(A) - ST4*8 Dome head screws 5pcs</p>	 <p>(B) - Brackets</p>	 <p>(C) - ST 4*40 C/S Head screw</p>
 <p>(D) - Edging strips Top edge strips: 2 pcs Bottom edge strips: 2 pcs Back edge strips: 2 pcs</p>	 <p>(E) - Masonry wall plug DY-BTS35 &amp; DY-BTS40: 14 pcs DY-BTS60: 18 pcs</p>	 <p>(F) - ST 5*40 Screws DY-BTS35 &amp; DY-BTS40: 14 pcs DY-BTS60: 18 pcs</p>
 <p>(G) - Vermiculate</p>	 <p>(H) - Small clear crystals</p>	 <p>(I) - Large clear crystals</p>
 <p>(J) - Black ember glass</p>	 <p>(K) - Faux logs</p>	 <p>(L) - Remote</p>
 <p>(M) - Power Cord</p>	 <p>(N) - User Manual</p>	 <p>(O) - AAA battery 2 pcs</p>

**PLEASE REMOVE ACCESSORIES AND MANUAL BEFORE DISCARDING PACKAGING**

For warranty, parts, or product support, please visit our site at:

**[support.dynastyfireplaces.com](http://support.dynastyfireplaces.com)**

Contact us at: **[support@dynastyfireplaces.com](mailto:support@dynastyfireplaces.com)**

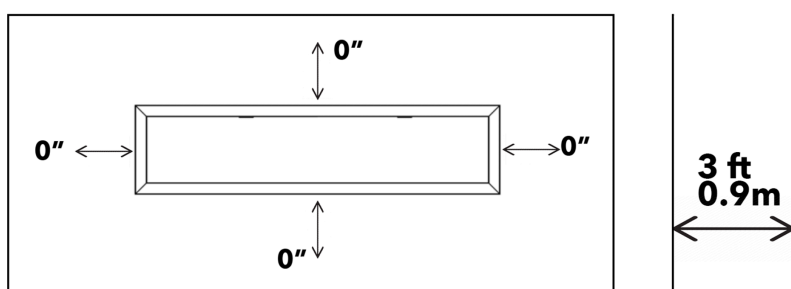
## 2. PREPARATION & FRAMING

### 2.1 LOCATING YOUR ELECTRIC FIREPLACE

Your new electric fireplace may be installed virtually anywhere in your home. However, when choosing a location, ensure that the general instructions are followed. For best results, install out of direct sunlight. Power supply service must be either completed or placed within the electric fireplace prior to finish to avoid reconstruction.

#### MINIMUM CLEARANCE TO COMBUSTIBLES

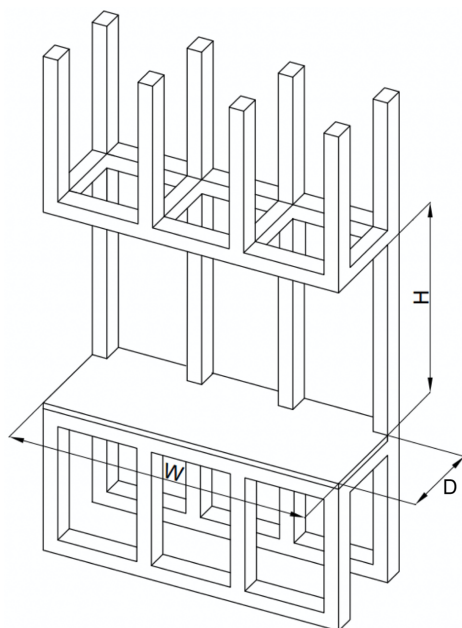
FRONT	BACK	SIDES	TOP	BOTTOM
36" / 0.9m	0"	0"	0"	0"



**WARNING!** Keep drapery and other furnishings at least 3ft /0.9m from the front of the electric fireplace.

### 2.2 FRAMING & INSTALLATION

**Note:** Ensure that you leave adequate room to remove and replace the front screen or optional front.



#### Framing Dimensions

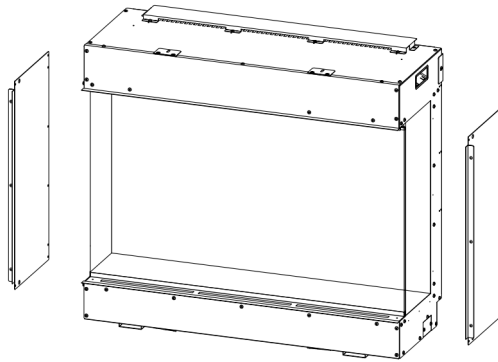
Model	W	H	Depth
DY-BTS60	1610 mm	643 mm	320 mm
	63 3/8 in.	25 3/8 in.	12 1/2 in.
DY-BTS40	1010 mm	643 mm	320 mm
	39 3/4 in.	25 3/8 in.	12 1/2 in.
DY-BTS35	850 mm	749 mm	320 mm
	33 1/2 in.	29 1/2 in.	12 1/2 in.



# 3. INSTALLATION

## 3.1 FIREPLACE CONFIGURATION

When unpacking the fireplace, the side plates have been fixed on the appliance. Remove them if you want the appliance to be installed in a two-sided or three-sided configuration.



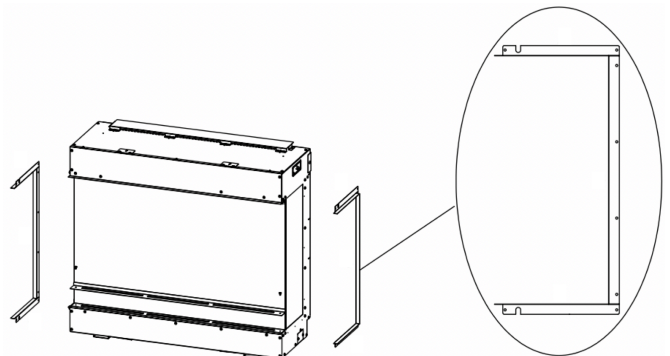
Take out the edging strips and fix them to any side where the side panel has been removed. This will create an edge for drywall or finishing materials.

The fireplace can be installed in 3 different configurations. The intended configuration should be considered before installation:

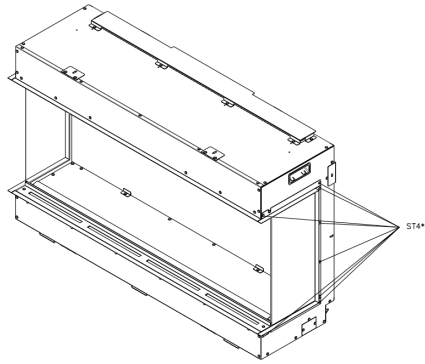
- 1) Single-sided front configuration (front window visible only)
- 2) Two-sided configuration (front and one sided visible)
- 3) Three-sided configuration (front and sides visible)

### NOTE:

- 1) Do not fix any edging strips for one sided installation
- 2) For two-sided installation, fix the edging strips **ONLY** to the side to be exposed – **DO NOT REMOVE THE COVER PLATE OF THE UNEXPOSED SIDE**
- 3) For three-sided installation, fix the edging strips to both sides



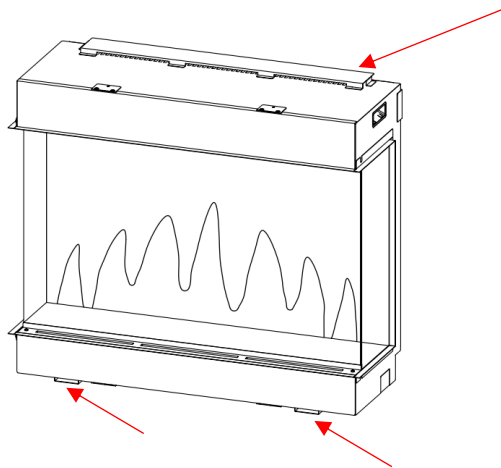
Secure the edging strips with the eight ST4\*8 screws already on the fireplace from the side panels.



**Before installing the fireplace into the wall enclosure, it is recommended that the power is turned on and the appliance is operated to check function and that power is supplied to the fireplace.**

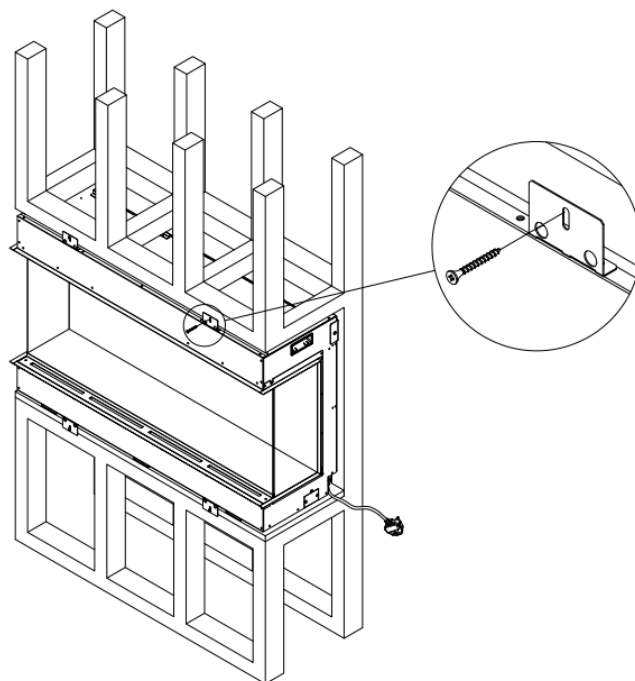
## **3.2 INSTALLATION**

**NOTE:** Ensure that air can enter the vents on the underside and the top of the fireplace. The fireplace is fitted with metal feet on the top and bottom. Do not block the top vents or underside between the feet.

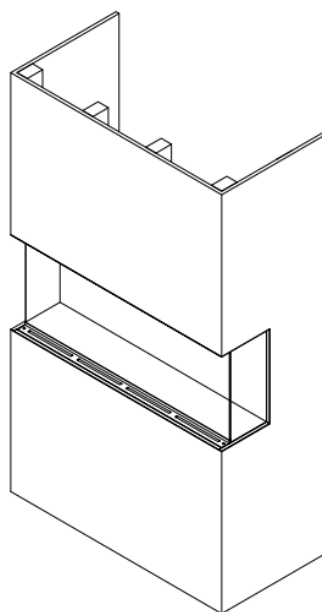


1. Build frame according to framing dimensions on Page 8 and ensure a power source is available. It is recommended to install the fireplace after finishing the wall to ensure the side brackets sits flush with the wall finishing.

2. Push the appliance into the frame and fold out the brackets on the top and lower edge of this appliance to secure it to the stud with (C) ST 4\*40 Screws.

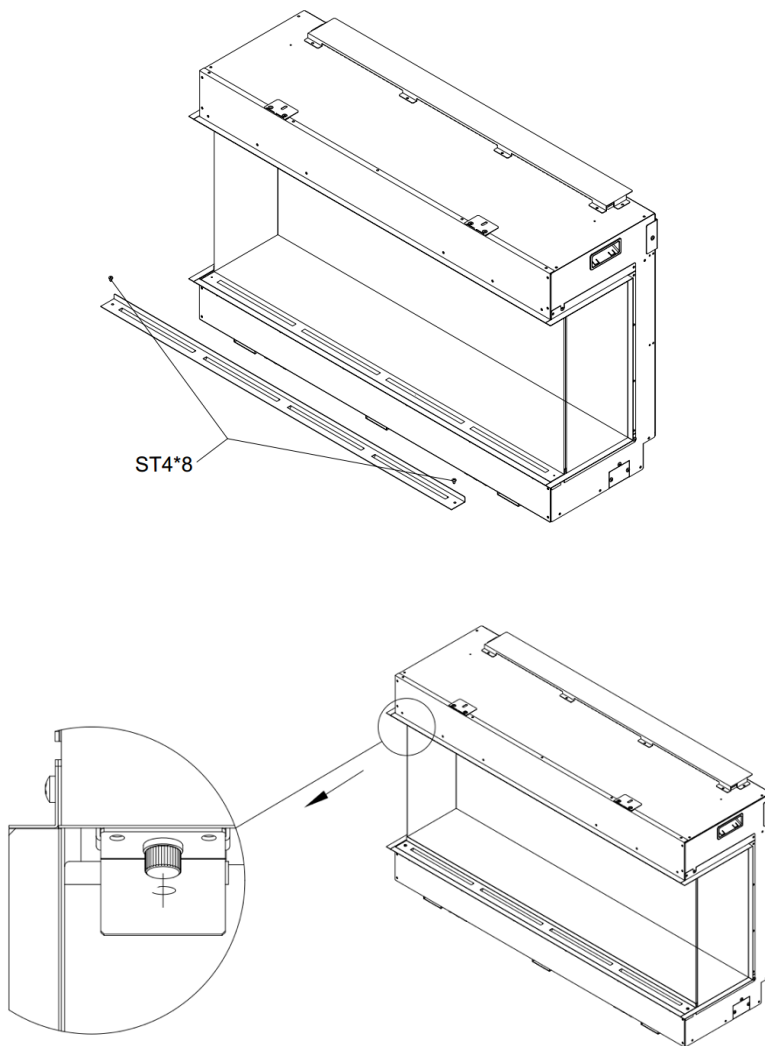


3. Cover the framing by drywall panels or your finishing of choice. The finishing material can be used to cover the exposed metal areas on the sides and front of the appliance.



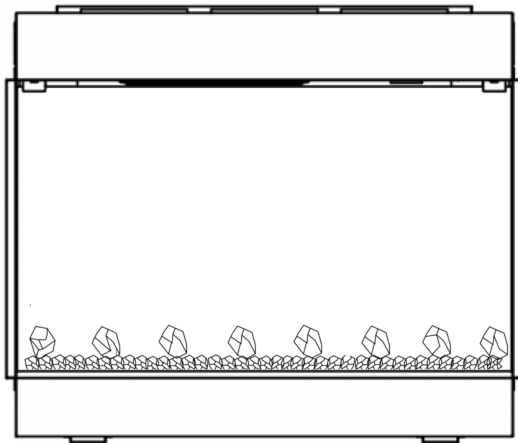
### **3.3 PLACING MEDIA & REMOVING FRONT GLASS**

1. Remove the front glass panel by removing the thumbscrews and fixing brackets and bolt, and then remove the front glass by pulling forward and lifting out of position.

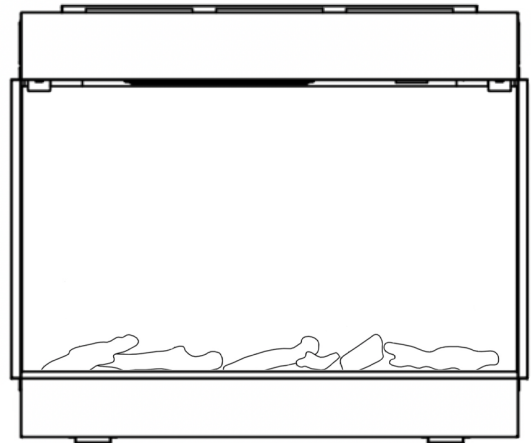


2. After removing the glass front panel, turn on the flame.

3. You may see some groups of red lights on the bottom of back screen. These are reflections of LED lights under the front edge of the fuel bed area. Place the black glass ember components tightly against back glass.
4. Sprinkle vermiculite and the small clear crystals sprinkle it between the black glass embers to cover the remaining visible sections of the fuel bed area.
5. Position the logs or large crystal pieces over the flame bed. Rearrange or create the arrangement to your own liking. All the logs will fit onto the appliance, but can be left off if desired.
6. Reinstall the front glass panel.



**CRYSTAL MEDIA**



**LOGS MEDIA**

## **3.4 POWER OPTIONS**

### **Plug-in**

You may run the power cord out of the framed wall opening to an existing outlet or install an outlet on a nearby wall stud within the wall). If the cord is not long enough to reach the outlet, a grounded extension cord minimum AWG No. 14 wiring and rated to a minimum of 1875 watts may be used.

### **Hard-wire**

A qualified electrician may remove the cord connection and wire the appliance directly to the house hold wiring. The appliance must be electrically connected and grounded in accordance with local codes.

## **3.5 FIREPLACE REPAIR GUIDES**

For full detailed instructions and step-by-step guides on how to repair and service the fireplace, including repair and replacement of parts such as LED lights, motor, heater, etc., please visit our support website at:

**[support.dynastyfireplace.com](https://support.dynastyfireplace.com)**

## **3.5 SERVICEABLE PARTS LIST**

No.	Components	Part Number
1	Front Glass Panel	DY-BTS-FGP
2	Fuel Effect LED DY-BTS60	DY-BTS-FUB60
3	Fuel Effect LED DY-BTS40	DY-BTS-FUB40
4	Fuel Effect LED DY-BTS35	DY-BTS-FUB35
5	Fuel Bed	DY-BTS-FLB
6	Heater Unit	DY-BTS-HTR
7	Side Glass Trim(Bottom)	DY-BTS-SGTB
8	Side Glass Trim(Top)	DY-BTS-SGTS
9	Side Glass Trim(Side)	DY-BTS-SGTT
10	Side Glass Panel	DY-BTS-SGP
11	Control Unit	DY-BTS-CNTRL
12	Top Light LED Board	DY-BTS-TLB
13	Fan Assembly 1	DY-BTS-FAS40
14	Fan Assembly 2	DY-BTS-FAS35
15	Left Fan Assembly 3	DY-BTS-FAS60L
16	Right Fan Assembly 4	DY-BTS-FAS60R
17	Left Ribbon	DY-BTS-LR
18	Right Ribbon	DY-BTS-RR
19	Flame Screen	DY-BTS-FLS
20	Remote Control Handset	DY-BTS-RMT
21	Display Screen	DY-BTS-DIS
22	Flame Effect LED Board 1	DY-BTS-FEB1
23	Flame Effect LED Board 2	DY-BTS-FEB2
24	LED Driving Board	DY-BTS-LEDB

### **NOTE:**

\*PARTS WITH "XX" AT THE END DENOTES THE SKU OF THE FIREPLACE. FOR EXAMPLE, A DY-BTX64 WILL REPLACE THE "XX" WITH "64"

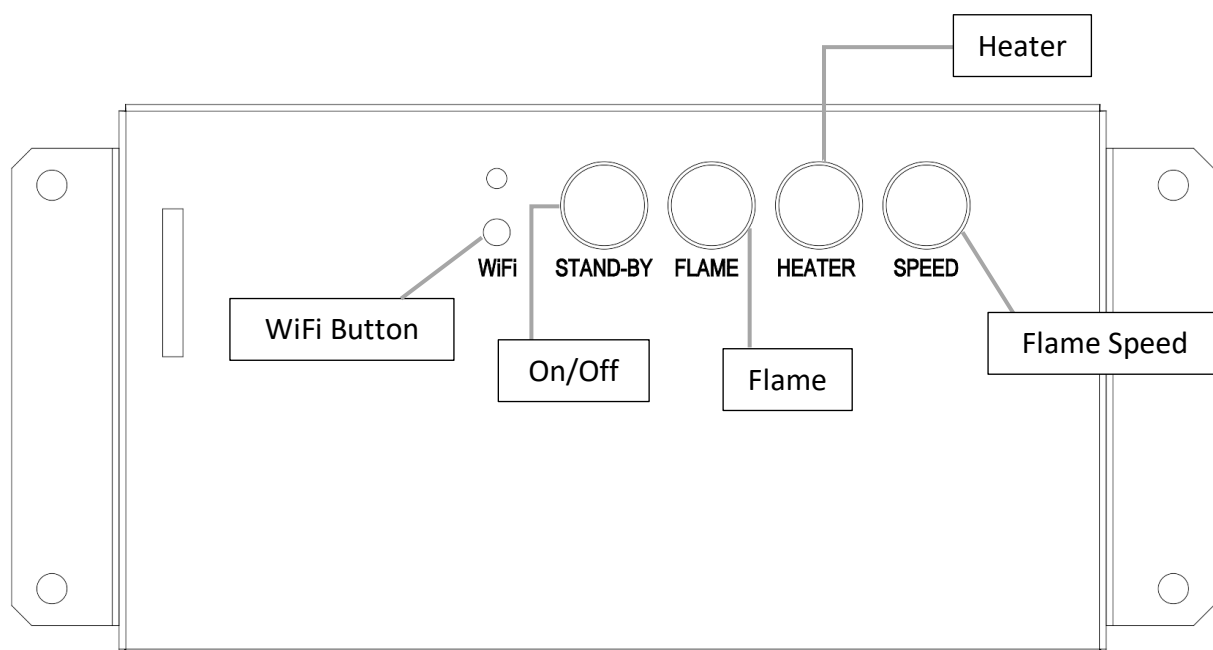
**For parts, please contact your dealer, distributor, or point of purchase and provide model number and serial number when requesting service parts**

## 4 - OPERATION

This appliance can be operated by remote control and onboard buttons, however onboard buttons have limited functions. A beep should be heard when the power is first applied.

### 4.1 ONBOARD BUTTONS

The onboard buttons are located under the trim on the top left.



Press the **STAND-BY** button to turn on or off the electric fireplace. This will turn on the flame LEDs and flame bed LEDs, and enable control of other functions

Press the **FLAME** button to turn on/off the flame LEDs.

Press the **HEATER** button to turn on/off the heater and cycle through heat levels High/Low. Heat level is indicated by the **Heater Indicator** light in the middle of the appliance.

Press once for low heat (Heater indicator ●○)

Press twice for high heat. (Heater indicator ●●)

Press three times to turn off heat (Heater indicator ○○)

Press the **SPEED** button to adjust the flickering speed of the flames. There are six total settings for the flame speed.



## 4.2 WIFI CONFIGURATION



The Melody series is controllable via Dynasty Fireplaces' own smartphone app for Android and iOS. Download the Dynasty app, and sign up for an account with your email, and connect your fireplace. To download the app, visit:

[dynastyfireplaces.com/download](https://dynastyfireplaces.com/download)

For more information on WiFi setup, and connecting to voice-assistants visit: [support.dynastyfireplaces.com](https://support.dynastyfireplaces.com)

### WIFI SETUP

**NOTE: WiFi control and operation of the fireplace can only be done after an account has been created, and the device has been linked to your account**

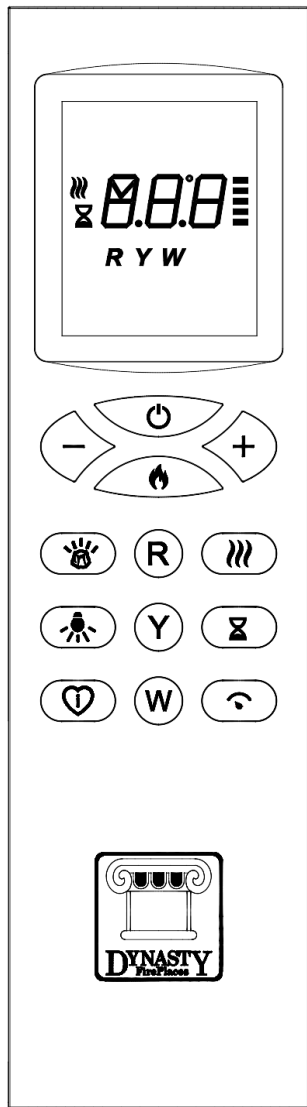
1. Download the Dynasty app, follow the onscreen instructions to create an account. Only an active email is required to create an account



2. With the fireplace in standby mode (flame and heater turned off, plugged into power), press and hold the **WiFi Button** for 5 seconds until the flame bed flashes red and makes a beeping sound.
3. Ensure the flame bed is blinking RED, then return to the app to complete setup and link the fireplace to your account. The fireplace flame bed will flash GREEN for a successful connection, and BLUE for an unsuccessful connection.

For more information on WiFi setup, and connecting to voice-assistants visit: [support.dynastyfireplaces.com](https://support.dynastyfireplaces.com)

## 4.3 REMOTE CONTROL



Icon	Function	Description
	Turn the fireplace on or off	Turns on the flame bed and flame lights only
	Up and down levels adjustment	Adjusts the levels of flame colors, flame bed, and top light
	Toggle between Celsius and Fahrenheit	To change from °C to °F or back, press and hold the heater button for 3 seconds until the unit changes on the display
	Toggle flames on or off	Press to turn on or off flame LEDs only
	Toggle top light	Press to cycle between warm and white light settings, adjust the brightness by using the (+ / -) levels adjustment buttons
	Toggle flame bed on or off, & colors	Press to cycle through flame bed colors. Press and hold to adjust the dynamic effects  Press the (+ / -) levels adjustment buttons to set the brightness of the flame bed
	Adjust intensity of red, yellow, and white flames	Press once to toggle the color, adjust the brightness by using the (+ / -) levels adjustment buttons
	Toggle heater on high, low, or off	Press to cycle between Low Heat, High Heat, and Off state
	Adjust flame speed	Press to cycle between 5 flame speed settings
	Set fireplace timer	Press to cycle the timer from 0.5h, 1h, 2h, 3h, 4h, 5h, 6h, 7h, 8h, 9h  Timer will turn off entire fireplace
	Save favorite setting	Press and hold to save the current configuration of the flame, flame bed, and top light settings  Press again to go to the saved setting

# 5 - CLEANING & MAINTENANCE



**ALWAYS** turn the heater **OFF** and **unplug the power cord from the outlet** before cleaning, performing maintenance, or moving this fireplace. Failure to do so could result in **electric shock, fire, or personal injury**.

## 5.1 CLEANING



**NEVER** immerse in water or spray with water. Doing so could result in **electric shock, fire, or personal injury**.

### Metal:

- Buff using a soft cloth, slightly dampened with a mild cleaning solution if needed.
- **DO NOT** use brass polish or household cleaners as these products will damage the metal trim.

### Glass:

- Use a good quality glass cleaner and dry thoroughly with a paper towel or lint-free cloth.
- **NEVER** use abrasive cleansers, liquid sprays, or any cleaner that could scratch the surface.

### Plastic:

- Wipe gently with a slightly damp cloth and a mild cleaning solution and warm water.
- **NEVER** use abrasive cleansers, liquid sprays, or any cleaner that could scratch the surface.

### Vents:

- Use a vacuum or duster to remove dust and dirt from the heater and vent areas.
- Clean the exterior of the fireplace with a slightly damp cloth or duster.

## **5.2 MAINTENANCE**



**Risk of electric shock! DO NOT OPEN! No user-serviceable parts inside!**



**ALWAYS** turn the heater **OFF** and **unplug the power cord from the outlet** before cleaning, performing maintenance, or moving this fireplace. Failure to do so could result in **electric shock, fire, or personal injury.**

### **Electrical and Moving Parts:**

- The fan motors are lubricated at the factory and will not require lubrication.
- Electrical components are integrated in the fireplace and are not serviceable by the consumer.

### **Storage:**

- Store heater in a clean dry place when not in use.

### **Replacement parts:**

- Use only replacement parts supplied by Dynasty Fireplaces. Use of any other parts, or modifying the fireplace in any way, will void all warranties.
- If you've made a purchase through one of our retailers, contact them to order parts, or contact [support@dynastyfireplace.com](mailto:support@dynastyfireplace.com)

For full detailed instructions and step-by-step guides on how to repair and service the fireplace, including repair and replacement of internal parts such as LED lights, motor, heater, etc., please visit our support website at:

**[support.dynastyfireplace.com](https://support.dynastyfireplace.com)**

## 6 - WARRANTY

This product is inspected, tested and carefully packaged to minimize the chance of damage during shipment. If a part within three years, or 48 months from the date of purchase proves to be defective in material or fabrication under normal use, the part will be repaired or replaced. Dynasty Fireplaces' obligation under the warranty is to replace or repair defective parts at our discretion. Any expenses or damage resulting from the installation, removal, or transportation of the product will be the responsibility of the owner and are not covered by this warranty. The owner assumes all other risks arising from the use or misuse of the product. The warranty will be void if the product damage or failure is deemed by Dynasty to be caused by accident, alteration, misuse, abuse, incorrect installation or removal, or connection to an incorrect power source by the owner. Dynasty Fireplaces neither assumes, nor authorizes and person or entity to assume for it any obligation or liability associated with its products.



### CALIFORNIA PROPOSITION 65 WARNING

**WARNING: This product can expose you to chemicals including Carbon Black, which is known to the State of California to cause cancer, and Bisphenol A (BPA), which is known to the State of California to cause birth defects or other reproductive harm. For more information go to:  
[www.P65Warnings.ca.gov](http://www.P65Warnings.ca.gov)**

## Dynasty Fireplaces



3231 No. 6 Road, Unit 127  
Richmond, BC Canada  
V6V 1P6

Telephone: (604) 821-1009

Toll free: 1-877-521-1009

Website: [dynastyfireplaces.com](http://dynastyfireplaces.com)

**Support: [support@dynastyfireplaces.com](mailto:support@dynastyfireplaces.com)**

**Support Site: [support.dynastyfireplaces.com](http://support.dynastyfireplaces.com)**

Pour obtenir des guides d'installation, les spécifications complètes du produit et des informations sur la garantie, veuillez-vous rendre à l'adresse suivante :

[support.dynastyfireplaces.com](https://support.dynastyfireplaces.com)



SCANNEZ-MOI

Pour nous contacter :

[support@dynastyfireplaces.com](mailto:support@dynastyfireplaces.com)

1-877-521-1009

# CONSIGNES DE SÉCURITÉ

---

- **Lire toutes les instructions avant d'utiliser cet appareil de chauffage !**
- Cet appareil est **chaud lorsqu'il est en marche**. Pour éviter tout risque de brûlure, **NE PAS** toucher les surfaces **chaudes**. Si elles sont fournies, utiliser les poignées pour déplacer l'appareil. Éloigner les **matériaux combustibles**, tels que les meubles, les coussins, la literie, les papiers, les vêtements et les rideaux à au moins **0,9 m (3 pieds)** du **devant, des côtés et de l'arrière de l'appareil**.
- **Faire très attention** lorsque l'appareil est utilisé par ou à proximité d'**enfants** ou de personnes **vulnérables**, ainsi que lorsqu'il **fonctionne sans surveillance**.
- **NE PAS** utiliser l'appareil si son **cordon ou sa fiche a été endommagé(e)** ou après un **dysfonctionnement**, une **chute** ou un **dommage quelconque de l'appareil**. Mettre l'appareil au rebut ou le retourner à un réparateur agréé pour examen et/ou réparation.
- **NE PAS** faire passer le **cordon d'alimentation** sous un tapis ou une moquette. **NE PAS** recouvrir le cordon d'alimentation avec des tapis, des moquettes ou d'autres revêtements similaires. **NE PAS** faire passer le cordon d'alimentation sous des meubles ou des appareils électroménagers. Placer le cordon d'alimentation à **l'écart des zones de passage** et à un endroit exempt de risque de trébuchement.
- **Ne PAS insérer ou laisser des corps étrangers pénétrer dans les ouvertures d'aération ou de ventilation**, au risque de provoquer un **choc électrique, un incendie, ou d'endommager l'appareil**.
- Pour éviter tout risque d'incendie, **NE PAS obstruer** les entrées / sorties d'air de l'appareil de quelque manière que ce soit. Cela pourrait provoquer un **incendie**. **NE PAS** utiliser sur des surfaces molles, telles qu'un lit, où les ouvertures pourraient être obstruées.
- Un chauffage contient des **pièces chaudes, générant des arcs électriques ou produisant des étincelles**. **NE PAS** utiliser dans des endroits où de **l'essence, de la peinture ou des liquides inflammables** sont utilisés ou stockés.
- **Utiliser cet appareil uniquement tel que décrit dans ce manuel**. Toute autre utilisation non recommandée par le fabricant peut provoquer un incendie, un choc électrique ou des blessures.
- **TOUJOURS** brancher l'appareil directement sur une prise murale. **Ne JAMAIS utiliser avec une rallonge électrique ou une prise de courant amovible (prise/multiprise)**.
- **NE PAS** placer le chauffage près d'un lit car des objets tels que des coussins ou des couvertures pourraient tomber du lit et prendre feu au contact de l'appareil.
- **NE JAMAIS** utiliser cet appareil dans une **salle de bains, une buanderie** ou tout autre endroit où l'appareil pourrait tomber dans une **baignoire** ou une **piscine, devenir humide** ou entrer en **contact avec de l'eau**.
- **ÉVITER LES RISQUES D'INCENDIE !** Inspecter régulièrement tous les espaces d'aération pour vous assurer qu'ils sont exempts de poussière, de peluches ou de toute autre obstruction. **Débrancher l'appareil** et le nettoyer **UNIQUEMENT** avec un **aspirateur**. **NE PAS** rincer ou mouiller.
- **NE JAMAIS** accrocher cet appareil à un mur **situé directement sous une prise électrique**.
- **NE JAMAIS** installer dans une **zone encastrée du mur de manière permanente**. Cela pourrait **bloquer la circulation d'air, provoquer une surchauffe** ou un **incendie**.
- **TOUJOURS** fixer l'appareil sur le support mural avant utilisation.

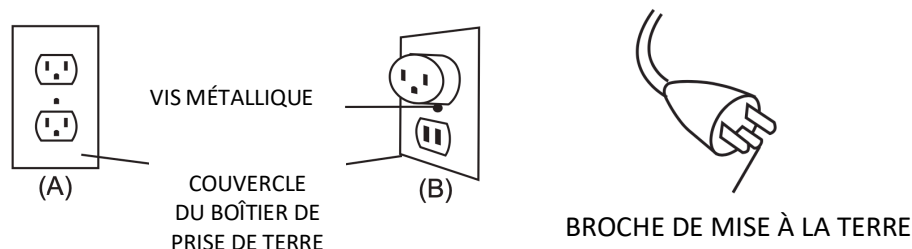
# CONSIGNES DE SÉCURITÉ

---

- **ATTENTION : POUR ÉVITER LES RISQUES D'INCENDIE OU DE CHOC ÉLECTRIQUE, NE PAS UTILISER CE CHAUFFAGE AVEC DES DISPOSITIFS DE CONTRÔLE DE VITESSE À SEMI-CONDUCTEURS.**
- Ce produit n'est pas conçu pour être la principale source de chauffage. Il sert uniquement de chauffage d'appoint.
- **Usage en intérieur uniquement ! NE JAMAIS** utiliser ce chauffage à l'extérieur ! Cela pourrait provoquer un **choc électrique** !
- **Risque de choc électrique ! NE PAS OUVRIR !** Ne contient aucune pièce réparable par l'utilisateur !
- **NE JAMAIS modifier ce chauffage.** Cela pourrait entraîner des **blessures** corporelles ou des **dommages** matériels. Toute intervention de l'utilisateur sur ce foyer **annule complètement toutes les garanties.**
- Veillez à **TOUJOURS** éteindre l'appareil avant de le débrancher de la prise murale.
- Veillez à **TOUJOURS débrancher** l'appareil de l'**alimentation électrique** avant de procéder à un assemblage ou à un nettoyage, ou avant de le déplacer.
- **NE JAMAIS** laisser ce chauffage sans surveillance. **TOUJOURS** débrancher l'appareil lorsqu'il n'est pas en marche.
- **TOUJOURS** placer ou ranger ce chauffage dans un endroit sec. **NE JAMAIS** utiliser l'appareil s'il a été mouillé.
- Utiliser **UNIQUEMENT** ce chauffage sur un **circuit de 120V AC 15-Amp.** **NE JAMAIS surcharger le circuit.** Si l'appareil déclenche le disjoncteur, débrancher tous les autres appareils branchés sur le même circuit avant la prochaine utilisation. Éviter de brancher d'autres appareils que ce chauffage sur le même circuit.
- **NE JAMAIS** brancher cet appareil sur une prise de courant **usagée, fissurée** ou dont les **câbles ou les connexions sont desserrés.** En branchant cet appareil sur une prise défectueuse, vous risqueriez de provoquer des **arcs électriques** dans la prise, susceptibles de la **surchauffer** ou de **s'enflammer.**
- **TOUJOURS** vérifier le cordon et les fiches de raccordement de votre appareil à **chaque utilisation** !
  1. **ASSUREZ-VOUS** que la fiche est bien insérée dans la prise ! Des connexions de prise murale défectueuses ou des fiches lâches peuvent entraîner une surchauffe de la prise.
  2. **Les appareils de chauffage consomment plus d'électricité** que les petits appareils. Une **surchauffe** peut survenir même si cela n'est pas arrivé avec l'utilisation d'autres appareils.
  3. Pendant l'utilisation, **vérifiez régulièrement** si la **prise de courant ou la façade** est **CHAUDE** ! Si la prise ou la façade est **CHAUDE**, **cessez immédiatement d'utiliser l'appareil** et faites appel à un électricien qualifié pour inspecter et/ou remplacer les prises défectueuses.



Ce chauffage est équipé d'une fiche polarisée (une lame est plus large que l'autre). En tant que dispositif de sécurité visant à réduire le risque de choc électrique, cette fiche est conçue pour être insérée uniquement dans une prise polarisée. Si la fiche ne s'insère pas correctement dans la prise, essayez dans l'autre sens. Si le problème persiste, contactez un électricien qualifié. Ne tentez pas de neutraliser ce dispositif de sécurité.



## IC Avertissement :

Le présent appareil est conforme aux CNR d'Industrie Canada applicables aux appareils radio exempts de licence. L'exploitation est autorisée aux deux conditions suivantes:

- (1) l'appareil ne doit pas produire de brouillage, et
- (2) l'utilisateur de l'appareil doit accepter tout brouillage radioélectrique subi, même si le brouillage est susceptible d'en compromettre le fonctionnement.

Cet équipement est conforme aux limites d'exposition aux rayonnements IC établies pour un environnement non contrôlé. Cet équipement doit être installé et utilisé avec un minimum de 20cm de distance entre la source de rayonnement et votre corps.

# 1. CARACTÉRISTIQUES GÉNÉRALES

## SPÉCIFICATIONS ÉLECTRIQUES (tous modèles)

TENSION ENTRÉE	120V AC, 60 Hz
LONGUEUR DU CÂBLE	72", 1.8m
CONSOMMATION PUISSANCE MAX.	1500W
CHALEUR SORTIE	1500W Nominal
	1500W Max.
	750W Min.

## CONSOMMATION MODE FLAMME

DY-BTS35	DY-BTS40	DY-BTS60
27 W	28 W	46 W

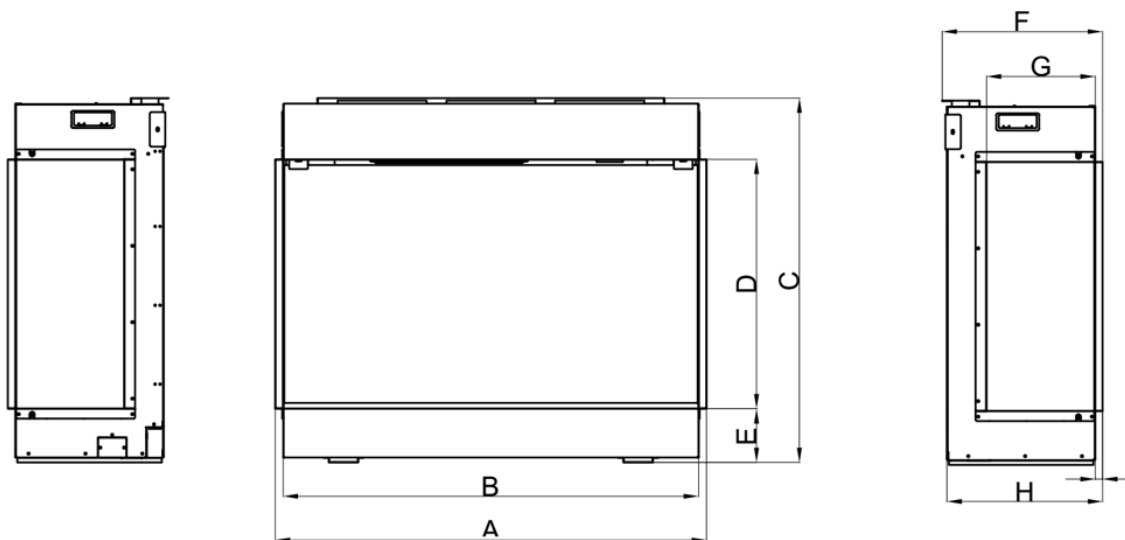
## ÉCLAIRAGE AMBIANT

DY-BTS35	DY-BTS40	DY-BTS60
17 W	25 W	26 W

### Fonctionnement du WiFi

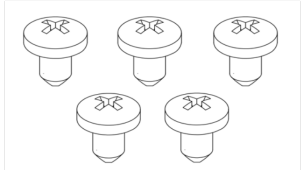
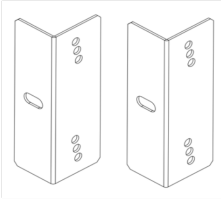
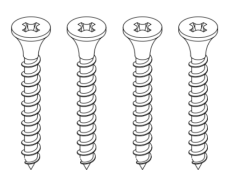
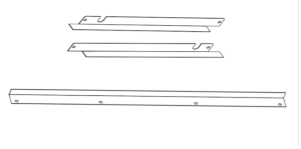




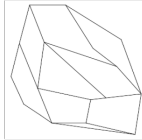
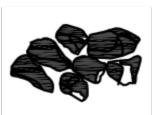
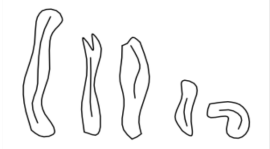

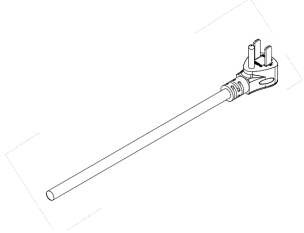


- Contrôlé via l'application Dynasty
- Connexion au réseau 2,4 GHz uniquement WiFi 802.11 b/n/g

## 1.1 DIMENSIONS DU PRODUIT



Modèle	A	B	C	D	E	F	G	H	I
DY-BTS35	872 mm	840 mm	739 mm	506 mm	110 mm	325 mm	220 mm	315 mm	15 mm
	34 3/8 po.	33 po.	29 po.	20 po.	4 3/8 po.	12 3/4 po.	8 5/8 po.	12 3/8 po.	1/2 po.
DY-BTS40	1032 mm	1000 mm	633 mm	400 mm	110 mm	325 mm	220 mm	315 mm	15 mm
	40 5/8 po.	39 3/8 po.	25 po.	15 3/4 po.	4 3/8 po.	12 3/4 po.	8 5/8 po.	12 3/8 po.	1/2 po.
DY-BTS60	1632 mm	1600 mm	633 mm	400 mm	110 mm	325 mm	220 mm	315 mm	15 mm
	64 1/4 po.	63 po.	25 po.	15 3/4 po.	4 3/8 po.	12 3/4 po.	8 5/8 po.	12 3/8 po.	1/2 po.

## 1.2 LISTE DES PIÈCES

 <p>(A) - vis à tête bombée ST4x8 - 5 pcs</p>	 <p>(B) - supports de fixation</p>	 <p>(C) - vis à tête plate ST 4x40 C/S</p>
 <p>(D) - bordures Dessus : 2 pcs Dessous : 2 pcs Arrière : 2 pcs</p>	 <p>(E) - ancrés murales DY-BTS35 &amp; DY-BTS40 : 14 pcs</p>	 <p>(F) - vis à tête plate ST 5x40 DY-BTS35 &amp; DY-BTS40 : 14 pcs DY-BTS60 : 18 pcs</p>
 <p>(G) - vermiculite</p>	 <p>(H) - petits cristaux transparents</p>	 <p>(I) - gros cristaux transparents</p>
 <p>(J) - braises de verre noir</p>	 <p>(K) - jeu de bûches</p>	 <p>(L) - télécommande</p>
 <p>(M) - cordon d'alimentation</p>	 <p>(N) - manuel d'utilisation</p>	 <p>(O) - piles AAA (x2)</p>

Pour toute question liée à la garantie, aux pièces détachées ou à l'assistance sur les produits, veuillez consulter notre site Web à l'adresse suivante :

**[support.dynastyfireplaces.com](https://support.dynastyfireplaces.com)**

Contactez-nous à l'adresse suivante : [support@dynastyfireplaces.com](mailto:support@dynastyfireplaces.com)

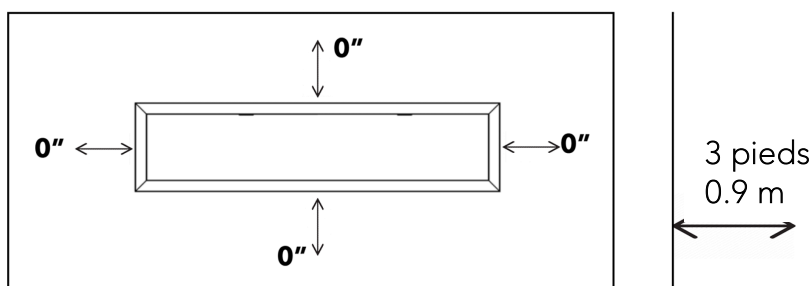
## 2. PRÉPARATION ET INSTALLATION

### 2.1 EMPLACEMENT DE VOTRE FOYER ÉLECTRIQUE

Vous pouvez installer votre nouveau foyer électrique pratiquement n'importe où dans votre maison. Cependant, lorsque vous choisissez un emplacement, assurez-vous de suivre les instructions générales. Pour une performance optimale, nous vous recommandons d'éviter les endroits trop ensoleillés. Le service d'alimentation électrique doit être achevé ou situé à proximité de l'appareil avant la finition pour éviter toute reconstruction.

#### DÉGAGEMENT MINIMUM DES COMBUSTIBLES

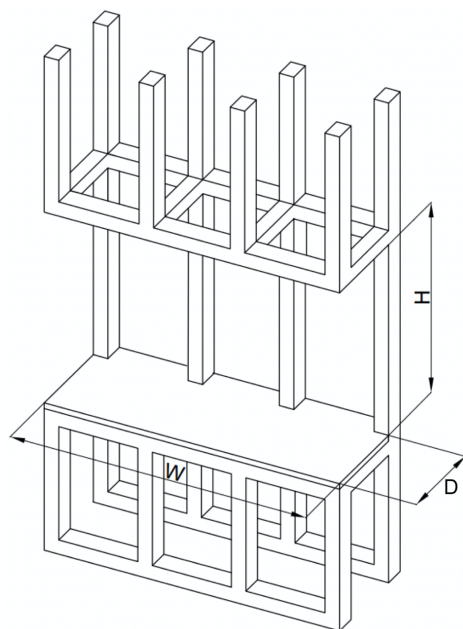
AVANT	ARRIÈRE	CÔTÉS	DESSUS	DESSOUS
36" / 0.9m	0"	0"	0"	0"



**ATTENTION !** Garder les rideaux et les meubles à au moins 3 pieds / 0,9 m de l'avant du foyer électrique.

### 2.2 CADRE ET INSTALLATION

Remarque : Veillez à laisser suffisamment d'espace pour retirer et remplacer l'écran frontal ou la façade en option.

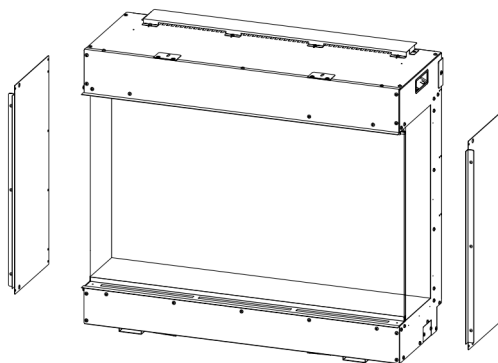


Modèle	Largeur	Hauteur	Profondeur
DY-BTS60	1610 mm	643 mm	320 mm
	63 3/8 po.	25 3/8 po.	12 1/2 po.
DY-BTS40	1010 mm	643 mm	320 mm
	39 3/4 po.	25 3/8 po.	12 1/2 po.
DY-BTS35	850 mm	749 mm	320 mm
	33 1/2 po.	29 1/2 po.	12 1/2 po.

Dimensions de l'encadrement

### 3. INSTALLATION

Lors du déballage du foyer, les plaques latérales ont été fixées sur l'appareil. Retirez-les selon que vous souhaitez une configuration à deux ou à trois faces.



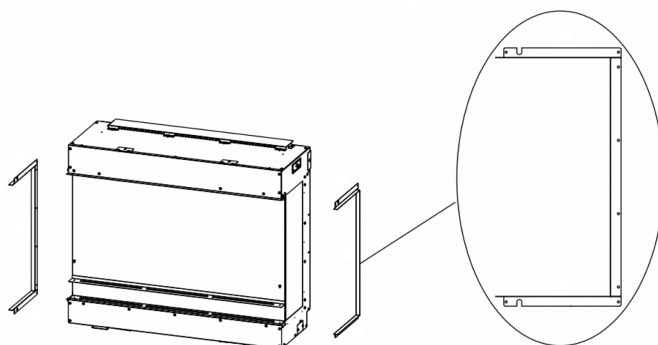
Sortez les bordures et fixez-les sur n'importe quel côté où le panneau latéral a été retiré. Cela créera un bord pour les cloisons sèches ou les matériaux de finition.

**Le foyer peut être installé dans 3 configurations différentes. La configuration envisagée doit être prise en compte avant toute installation :**

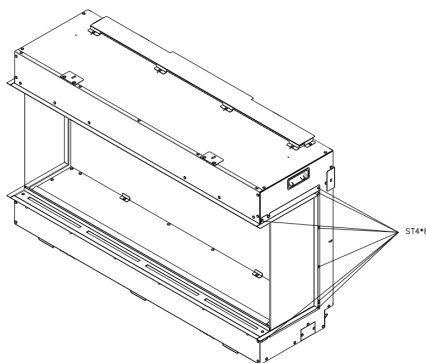
- 1) Configuration frontale à une face (avant visible uniquement)
- 2) Configuration à deux faces (avant et un côté visible)
- 3) Configuration à trois faces (avant et deux côtés visibles)

#### NOTE :

- 1) Ne pas fixer de bordure pour une configuration à une seule face.
- 2) Pour une installation à deux faces, fixer les bordures **UNIQUEMENT** sur le côté à exposer - **NE PAS ENLEVER LA PLAQUE DE COUVERTURE DU CÔTÉ NON EXPOSÉ.**
- 3) Pour une installation à trois faces, fixer les bordures sur les deux côtés.



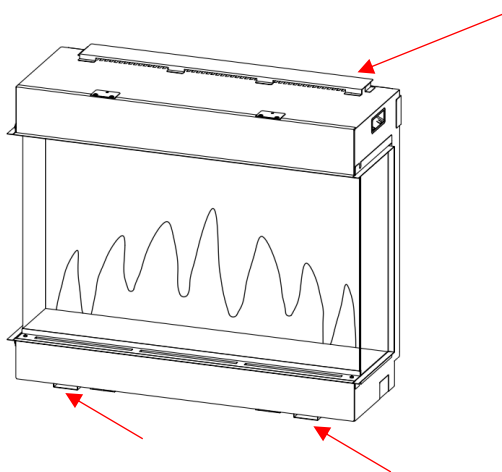
Fixez les bordures avec les huit vis ST4\*8 qui se trouvent déjà sur le foyer à partir des panneaux latéraux.



Avant d'installer le foyer dans l'enceinte murale, il est recommandé de mettre l'appareil sous tension et de le faire fonctionner pour en vérifier le fonctionnement.

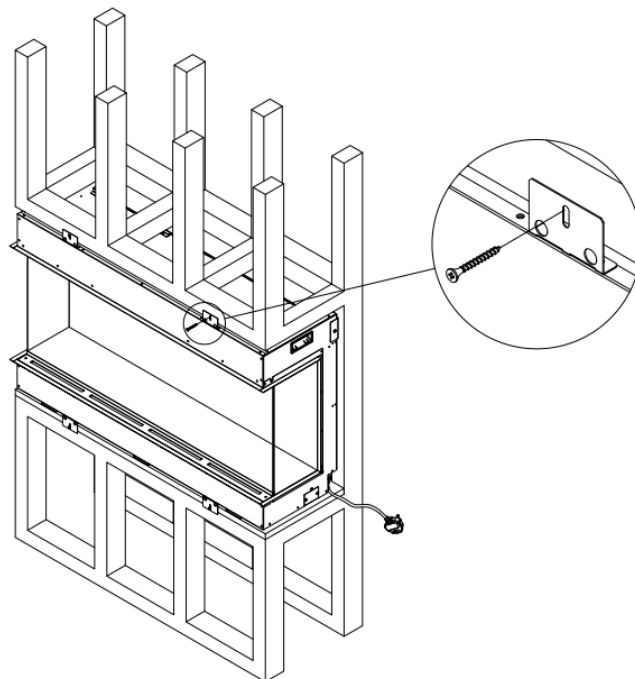
## 3.2 INSTALLATION

**NOTE :** Assurez-vous que l'air peut pénétrer dans les événements situés sur le dessus et sur le dessous du foyer. Le foyer est équipé de pieds métalliques sur le dessus et le dessous. Ne bloquez pas les événements du dessus ou du dessous entre les pieds.

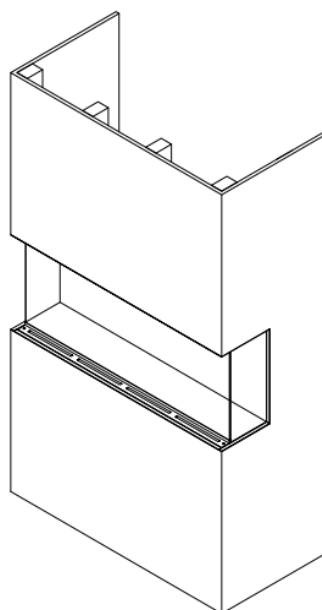


1. Construisez le cadre selon les dimensions de la page 7 et assurez-vous qu'une source d'alimentation est disponible à proximité. Il est recommandé d'installer le foyer après avoir terminé la finition du mur pour s'assurer que les supports latéraux s'alignent avec la finition du mur.

2. Poussez l'appareil à l'intérieur du cadre et déployez les supports sur le bord supérieur et inférieur de l'appareil pour le fixer au montant avec les 4 vis ST 4\*40 (C).

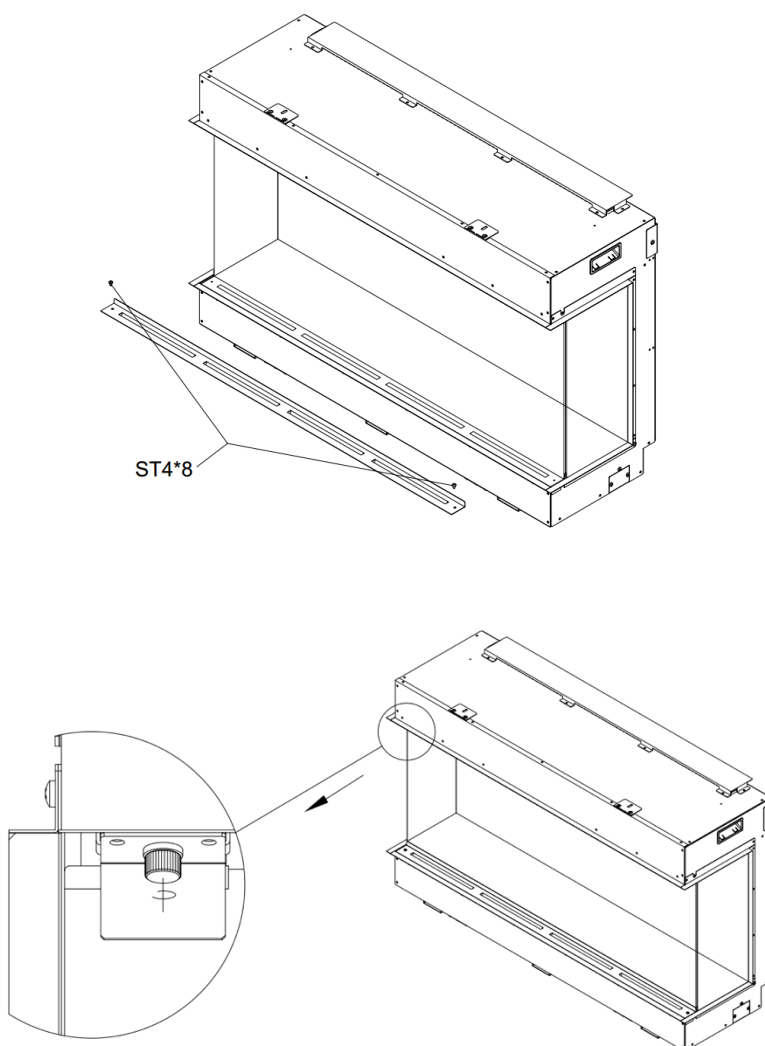


3. Couvrez l'encadrement de panneaux de gypse ou du matériau de finition de votre choix. Le matériau de finition peut également être utilisé pour recouvrir les zones métalliques exposées sur les côtés et l'avant de l'appareil.



### 3.3 MISE EN PLACE DU SUPPORT ET RETRAIT DE LA FAÇADE

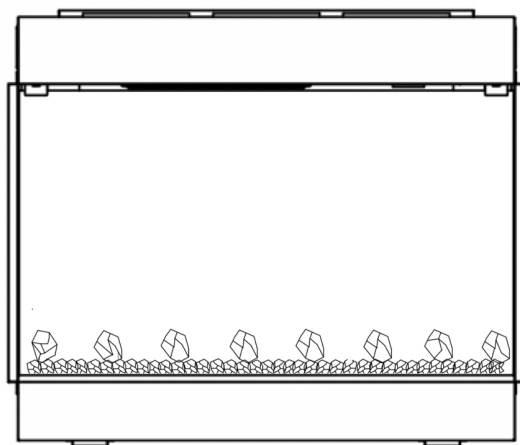
1. Démontez le panneau de verre avant en enlevant les vis à croisillons, les supports de fixation et le boulon, puis retirez-le en le tirant vers l'avant et en le soulevant pour la sortir de sa position.



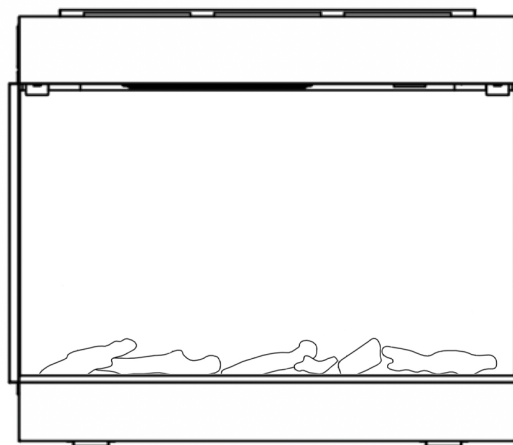
2. Après avoir retiré le panneau de verre avant, allumez la flamme.



3. Vous verrez peut-être quelques lumières rouges au bas de l'écran arrière. Il s'agit de reflets des lumières LED situées sous le bord avant du lit de combustion. Placez les composants de la braise de verre noir en les disposant de manière serrée contre le panneau de verre arrière.
4. Parsemez la vermiculite et les petits cristaux transparents entre les braises de verre noir pour couvrir les sections visibles restantes du lit de combustion.
5. Placez les bûches ou les grands cristaux transparent au-dessus du lit de flammes. Vous pouvez revoir la disposition des éléments à votre convenance. Vous pouvez placer l'ensemble des bûches ou seulement une partie si vous le souhaitez.
6. Remplacez le panneau de verre avant à l'emplacement prévu.



**SUPPORT CRISTAUX**



**SUPPORT BÛCHES**

## **3.4 OPTIONS D'ALIMENTATION**

### **Branchement électrique**

Vous pouvez faire passer le cordon d'alimentation de l'ouverture du cadre mural vers une prise de courant existante ou installer une prise de courant sur un montant de mur situé à proximité. Si le cordon n'est pas assez long pour atteindre la prise de courant, vous pouvez utiliser une rallonge avec mise à la terre, avec un câblage minimum AWG n° 14 et une puissance minimale de 1875 watts.

### **Câblage « en dur »**

Un électricien qualifié peut retirer le cordon d'alimentation et brancher l'appareil directement au câblage de la maison. L'appareil doit être connecté électriquement et mis à la terre conformément aux normes locales.

## **3.5 GUIDES DE RÉPARATION DES FOYERS**

Pour obtenir des instructions complètes et détaillées, ainsi qu'un guide étape par étape pour réparer et entretenir votre foyer électrique, y compris la réparation et le remplacement de pièces telles que les lumières LED, le moteur, le chauffage ou autres, veuillez consulter la rubrique Assistance de notre site Web à l'adresse suivante.

**[support.dynastyfireplace.com](https://support.dynastyfireplace.com)**

## **3.6 LISTE DES PIÈCES DE RECHANGE**

N°	DESCRIPTION	NUMÉRO DE PIÈCE*
1	Panneau de verre avant	DY-BTS-FGP
2	LED à effet combustible DY-BTS60	DY-BTS-FUB60
3	LED à effet combustible DY-BTS40	DY-BTS-FUB40
4	LED à effet combustible DY-BTS35	DY-BTS-FUB35
5	Lit de combustion	DY-BTS-FLB
6	Unité de chauffage	DY-BTS-HTR
7	Garniture de verre latérale (dessus)	DY-BTS-SGTB
8	Garniture de verre latérale (dessous)	DY-BTS-SGTS
9	Garniture de verre latérale (côté)	DY-BTS-SGTT
10	Panneau de verre latéral	DY-BTS-SGP
11	Unité de commande	DY-BTS-CNTRL
12	Panneau LED lumière du haut	DY-BTS-TLB
13	Assemblage du ventilateur 1	DY-BTS-FAS40
14	Assemblage du ventilateur 2	DY-BTS-FAS35
15	Assemblage gauche du ventilateur 3	DY-BTS-FAS60L
16	Assemblage droit du ventilateur 4	DY-BTS-FAS60R
17	Ruban gauche	DY-BTS-LR
18	Ruban droit	DY-BTS-RR
19	Écran de flammes	DY-BTS-FLS
20	Combiné télécommande	DY-BTS-RMT
21	Écran d'affichage	DY-BTS-DIS
22	Panneau LED effet de flamme 1	DY-BTS-FEB1
23	Panneau LED effet de flamme 2	DY-BTS-FEB2
24	Tableau de commande LED	DY-BTS-LEDB

### **NOTE :**

\*LES PARTIES AVEC "XX" À LA FIN DÉSIGNENT L'ARTICLE DU FOYER. PAR EXEMPLE, LE "DY-BTX64" REMPLACERA LE "XX" PAR "64".

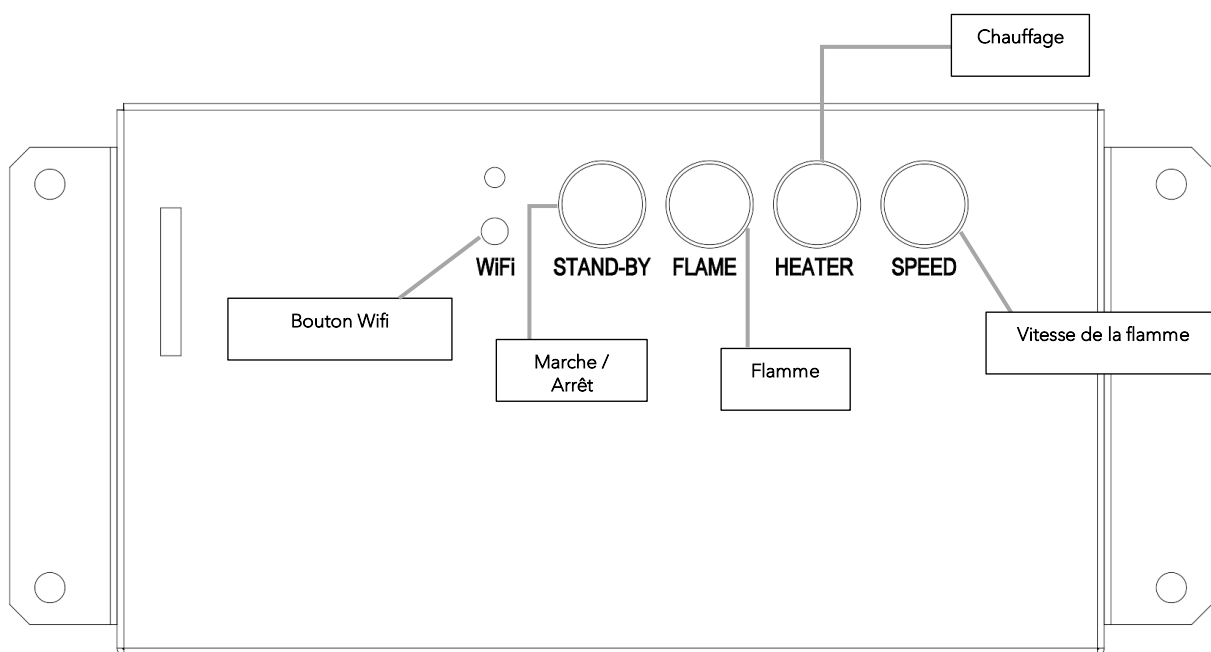
**Pour les pièces de rechange, veuillez contacter votre revendeur, distributeur ou point de vente en fournissant le numéro du modèle ainsi que le numéro de série de votre appareil lors de votre demande.**

# 4 - FONCTIONNEMENT

Les fonctionnalités de cet appareil peuvent être activées à l'aide d'une télécommande ou de commandes manuelles situées sur l'appareil. Cependant, les commandes manuelles ont des fonctions limitées. Vous devez entendre un bip après la mise sous tension initiale.

## 4.1 COMMANDES MANUELLES

Les commandes manuelles sont situées sous l'ornement en haut à gauche.



Appuyer sur le bouton **VEILLE** pour allumer ou éteindre le foyer électrique. Les voyants de la flamme et du lit de flamme s'allument, et d'autres fonctions peuvent être activées.

Appuyer sur le bouton **FLAMME** pour allumer/éteindre les voyants de la flamme.

Appuyer sur le bouton **CHAUFFAGE** pour allumer/éteindre le chauffage et faire défiler les niveaux de chaleur Haut/Bas. Le niveau de chaleur est indiqué par le **voyant du chauffage** situé au milieu de l'appareil.

Appuyer une fois pour une chaleur faible (indicateur de chauffage ●○).

Appuyer deux fois sur cette touche pour obtenir une chaleur élevée (indicateur de chauffage ●●).

Appuyer trois fois pour éteindre le chauffage (indicateur de chauffage ○○).

Appuyer sur le bouton **VITESSE** pour régler la vitesse de scintillement des flammes. Il existe cinq réglages au total pour la vitesse des flammes.

## 4.2 CONFIGURATION DU WIFI



La série Melody est contrôlable via l'application pour téléphones intelligents Dynasty Fireplaces, disponible sur Android et iOS. Téléchargez l'application Dynasty, créez un compte avec votre adresse courriel et connectez votre foyer. Pour télécharger l'application, visitez le site :

[dynastyfireplaces.com/download](https://dynastyfireplaces.com/download)

Pour plus d'informations sur la configuration du WiFi et la connexion à un assistant vocal, consultez la page : [support.dynastyfireplaces.com](https://support.dynastyfireplaces.com).

## CONFIGURATION DU WIFI

**NOTE : le contrôle et le fonctionnement en WiFi de l'appareil ne peuvent être effectués qu'après avoir créé un compte et avoir connecté l'appareil à ce compte.**

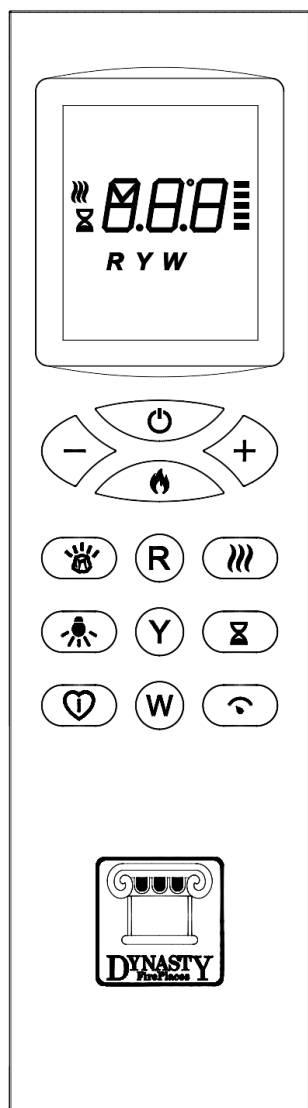
1. Télécharger l'application Dynasty et suivre les instructions à l'écran pour créer un compte. Seule une adresse courriel active est requise pour la création de votre compte.



2. Une fois le foyer en mode veille (branché sur le secteur avec flamme et chauffage éteints), appuyez sur le **bouton WiFi** et maintenez-le enfoncé pendant 5 secondes jusqu'à ce que le lit de flamme clignote en rouge et émette un signal sonore.
3. Assurez-vous que le lit de flammes clignote en ROUGE, puis retournez à l'application pour terminer la configuration et relier le foyer à votre compte. Le lit de flammes du foyer clignotera en VERT si la connexion a bien fonctionné, et en BLEU le cas échéant.

Pour plus d'informations sur la configuration du WiFi et la connexion à un assistant vocal, consultez la page : [support.dynastyfireplaces.com](https://support.dynastyfireplaces.com).

## 4.3 TÉLÉCOMMANDE



BOUTON	FONCTION	DESCRIPTION
	Allumer / Éteindre le foyer	Appuyer pour allumer ou éteindre l'appareil. Ce bouton allume ou éteint uniquement les LED de flamme et de lit de flamme.
	Réglage des niveaux vers le haut et vers le bas	Règle les niveaux de couleurs de la flamme, du lit de la flamme et de l'éclairage supérieur.
	Basculer entre Celsius et Fahrenheit	Pour passer de °C à °F ou inversement, appuyez sur le bouton de chauffage  pendant 3 secondes jusqu'à ce que l'unité change à l'écran.
	Activer / Désactiver les LED des flammes	Appuyer pour allumer ou éteindre les LED de flammes uniquement
	Basculer l'éclairage du haut	Appuyez sur cette touche pour passer de la lumière chaude à la lumière blanche, puis réglez la luminosité à l'aide des boutons de réglage des niveaux (+/-).
	Activation ou désactivation du lit de flamme et des couleurs	Appuyez pour faire défiler les couleurs du lit de la flamme. Appuyez sur les boutons de réglage des niveaux (+/-) pour régler la luminosité du lit de flammes.
	Régler l'intensité des flammes rouges, jaunes et blanches	Appuyez une fois pour changer de couleur, ajustez la luminosité en utilisant les boutons de réglage des niveaux (+/-).
	Basculer le chauffage sur chaleur forte, faible, ou l'éteindre	Appuyez sur cette touche pour passer de chaleur forte à faible ou éteindre le chauffage.
	Régler la vitesse de la flamme	Appuyez pour régler la vitesse de la flamme (5 niveaux possibles)
	Régler la minuterie de l'appareil	Appuyez sur cette touche pour régler la minuterie sur 30 min, 1h, 2h, 3h, 4h, 5h, 6h, 7h, 8h, 9h. La minuterie éteint tout le foyer.
	Enregistrer vos réglages préférés	Maintenez cette touche enfoncée pour enregistrer la configuration actuelle des réglages de la flamme, du lit de flamme et de l'éclairage supérieur. Appuyez à nouveau sur cette touche pour revenir à la configuration enregistrée.

# 5 - NETTOYAGE ET ENTRETIEN



**TOUJOURS ÉTEINDRE** l'appareil de chauffage et **débrancher le cordon d'alimentation de la prise murale** avant de le nettoyer, de faire des réparations ou de le déplacer. Le non-respect de ces instructions pourrait provoquer un **choc électrique**, un **incendie** ou des **blessures corporelles**.

## 5.1 NETTOYAGE



Ne **JAMAIS immerger l'appareil dans l'eau**, ou **asperger de l'eau dessus**. Cela pourrait provoquer un **choc électrique**, un **incendie** ou des **blessures corporelles**.

### Surface métallique :

- Polir doucement en utilisant un chiffon doux, légèrement imbibé d'un produit nettoyant doux.
- **NE PAS** utiliser de produits de polissage à base de laiton ou de nettoyeurs ménagers, cela risquerait d'endommager le revêtement métallique.

### Panneau de verre :

- Utiliser un produit nettoyant à vitres de bonne et sécher complètement avec une serviette en papier ou un chiffon non pelucheux.
- Ne **JAMAIS** utiliser de nettoyeurs abrasifs, vaporisateurs liquide, ou tout autre nettoyant qui pourrait rayer la surface.

### Plastique :

- Essuyer doucement avec un chiffon légèrement humide, une solution nettoyante douce et de l'eau tiède.
- Ne **JAMAIS** utiliser de nettoyeurs abrasifs, vaporisateurs liquide, ou tout autre nettoyant qui pourrait rayer la surface.

### Conduits d'évacuation :

- Utiliser un aspirateur pour enlever la saleté et la poussière sur l'appareil et les conduits d'évacuation.
- Nettoyer les surfaces extérieures de l'appareil à l'aide d'un chiffon légèrement humide ou d'un plumeau.

## 5.2 ENTRETIEN



**Risque de choc électrique ! NE PAS OUVRIR ! Aucune pièce réparable par l'utilisateur à l'intérieur !**



**TOUJOURS ÉTEINDRE** l'appareil de chauffage et **débrancher le cordon d'alimentation de la prise murale** avant de le nettoyer, de faire des réparations ou de le déplacer. Le non-respect de ces instructions pourrait provoquer un **choc électrique**, un **incendie** ou des **blessures corporelles**.

### **Pièces électriques et parties mobiles :**

- Les moteurs du ventilateur ont été lubrifiés en usine et ne nécessitent pas de lubrification supplémentaire.
- Les composants électriques sont intégrés à l'appareil et ne peuvent pas être réparés par l'utilisateur lui-même.

### **Stockage :**

- Ranger l'appareil dans un endroit propre et sec lorsqu'il n'est pas utilisé.

### **Pièces de rechange :**

- Utiliser uniquement les pièces de rechange fournies par Dynasty Fireplaces. L'utilisation de toute autre pièce, ou toute autre modification de votre appareil annulera toutes les garanties.
- Si vous avez acheté votre appareil chez l'un de nos revendeurs/détaillants, veuillez les contacter pour commander des pièces de rechange ou nous contacter à l'adresse courriel suivante : [support@dynastyfireplace.com](mailto:support@dynastyfireplace.com).

Pour obtenir des instructions complètes et détaillées, ainsi qu'un guide étape par étape pour réparer et entretenir votre foyer électrique, y compris la réparation et le remplacement de pièces telles que les lumières LED, le moteur, le chauffage ou autres, veuillez consulter la rubrique Assistance de notre site Web à l'adresse suivante :

**[support.dynastyfireplace.com](https://support.dynastyfireplace.com)**



## 6 - GARANTIE

Ce produit est inspecté, testé et soigneusement emballé afin de minimiser les risques de dommages pendant l'expédition. Si une pièce s'avère défectueuse au cours des trois ans ou 48 mois suivant la date d'achat, que ce soit au niveau des matériaux ou dans sa fabrication, dans des conditions normales d'utilisation, elle sera réparée ou remplacée. L'obligation de Dynasty Fireplaces en vertu de la garantie consiste à remplacer ou à réparer les pièces défectueuses, à notre discrétion. Tous les frais ou dommages résultant de l'installation, du retrait ou du transport du produit seront à la charge du propriétaire et ne sont pas couverts par cette garantie. Le propriétaire assume tous les autres risques résultant de l'usage ou de la mauvaise utilisation du produit. La garantie ne sera pas valide si Dynasty considère que le dommage ou la défaillance du produit ont été causés par un accident, une altération, une mauvaise utilisation, un abus, une installation ou un retrait incorrect, ou un branchement à une mauvaise source d'alimentation par le propriétaire. Dynasty Fireplaces n'assume, ni n'autorise aucune personne ou entité à assumer pour elle les responsabilités ou obligations associées à ses produits.



### AVERTISSEMENT LIÉ À LA PROPOSITION 65 DE L'ÉTAT DE CALIFORNIE

**AVERTISSEMENT** : ce produit peut vous exposer à des produits chimiques, notamment le noir de carbone, connu dans l'État de Californie pour provoquer le cancer, et le bisphénol A (BPA), connu dans l'État de Californie pour provoquer des malformations congénitales ou d'autres problèmes de reproduction.

Pour plus d'informations, consultez le site :

[www.P65Warnings.ca.gov](http://www.P65Warnings.ca.gov)

## Dynasty Fireplaces



3231 No. 6 Road, Unité 127  
Richmond, BC Canada  
V6V 1P6

Téléphone : (604) 821-1009

Sans frais : 1-877-521-1009

Site web : [dynastyfireplaces.com](http://dynastyfireplaces.com)

**Contact Assistance :**

[support@dynastyfireplaces.com](mailto:support@dynastyfireplaces.com)

**Page d'Assistance :**

[support.dynastyfireplaces.com](http://support.dynastyfireplaces.com)