

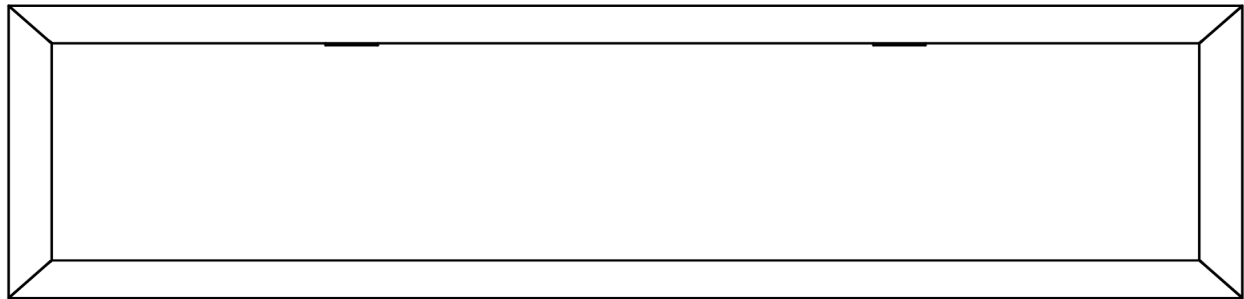
DYNASTY FIREPLACES

Cascade Series | Série Cascade

Linear smart electric fireplace • Cheminée électrique linéaire intelligente



Installation Instructions & Operating Manual Manuel d'Installation & d'Utilisation



Models / Modèles

DY-BTX42 | DY-BTX52 | DY-BTX64 | DY-BTX74 | DY-BTX82 | DY-BTX100

READ CAREFULLY BEFORE ATTEMPTING TO ASSEMBLE, INSTALL, OPERATE, OR MAINTAIN THIS PRODUCT.

PROTECT YOURSELF AND OTHERS BY OBSERVING ALL SAFETY INFORMATION. FAILURE TO COMPLY WITH INSTRUCTIONS COULD RESULT IN PERSONAL INJURY AND/OR PROPERTY DAMAGE.

LIRE ATTENTIVEMENT AVANT D'ESSAYER D'ASSEMBLER, D'INSTALLER, D'UTILISER, OU D'ENTREtenir CE PRODUIT.

PROTÉGEZ-VOUS ET VOTRE ENTOURAGE EN RESPECTANT LES CONSIGNES DE SÉCURITÉ. LE NON-RESPECT DE CES CONSIGNES POURRAIT CAUSER DES BLESSURES CORPORELLES ET / OU DES DOMMAGES MATÉRIELS.

WARNING: To reduce risk of fire, electrical shock, or personal injury, read and understand all instructions, including safety information before plugging in and operating.

AVERTISSEMENT: Pour réduire le risque d'incendie, de décharge électrique, ou de blessures corporelles, lisez et assurez-vous de comprendre toutes les instructions, y compris les consignes de sécurité, avant de brancher et d'utiliser cet appareil.



Electric fireplaces insert and free-standing electric fireplace heaters rated at 1500W / 5000 BTUs

10-3071 No. 5 Road, Richmond, BC V6X 2T4 Canada
PHONE: +1 877-521-1009 | support@dynastyfireplaces.com | dynastyfireplaces.com

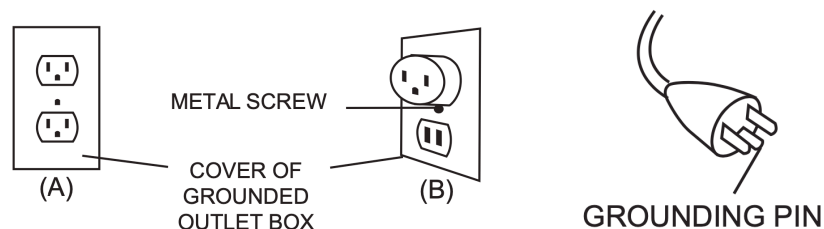
SAFETY INFORMATION

- **Read all instructions before using this heater!**
- This heater is **hot when in use**. To avoid burns, **DO NOT** let bare skin touch **hot** surfaces. If provided, use handles when moving this heater. Keep **combustible materials**, such as furniture, pillows, bedding, papers, clothes, and curtains at least **3 feet (0.9m)** from the **front of the heater** and **keep them away from the sides and rear**.
- **Extreme caution** is necessary when any heater is used by or near **children** or **invalids** and whenever the heater is left **operating and unattended**.
- **DO NOT** operate any heater with a **damaged cord or plug** or after the **heater malfunctions**, has been **dropped** or **damaged in any manner**. Discard heater or return to authorized service facility for examination and/or repair.
- **DO NOT** run **power cord** under carpeting. **DO NOT** cover power cord with throw rugs, runners, or similar coverings. **DO NOT** route power cord under furniture or appliances. Arrange power cord **away from traffic** area, and where it will not be tripped over.
- **DO NOT** insert or allow **foreign objects** to enter any **ventilation or exhaust opening**, as this may cause **electric shock** or **fire**, or **damage the heater**.
- To prevent a possible fire, **DO NOT** block air intakes or exhaust in any manner. Doing so could cause a **fire**. **DO NOT** use on soft surfaces, like a bed, where openings may become blocked.
- A heater has **hot and arcing or sparking parts inside**. **DO NOT** use it in areas where **gasoline, paint, or flammable liquids** are used or stored.
- **Use this heater only as described in this manual**. Any other use not recommended by the manufacturer may cause fire, electric shock, or injury to persons.
- **ALWAYS** plug heaters directly into a wall outlet/receptacle. **NEVER** use with an extension cord or relocatable power tap (outlet/power strip).
- **DO NOT** place the heater near a bed because objects such as pillows or blankets can fall off the bed and be ignited by the heater.
- **NEVER** use this heater in **bathrooms, laundry rooms**, or any other location where the heater could fall into a **bathtub** or **pool, become damp**, or **come in contact with water**.
- **AVOID FIRE!** Regularly inspect all air vents to make sure they are free from dust, lint, or other blockage. **Unplug the unit** and clean with a **vacuum ONLY**. **DO NOT** rinse or get wet.
- **NEVER** hang this unit on a wall **directly below an electrical outlet**.
- **NEVER** permanently install in a **recessed area of the wall**. This may result in **blocked air flow, overheating, or fire**.
- **ALWAYS** secure to wall framing before use.

SAFETY INFORMATION

- **WARNING: REDUCE THE RISK OF FIRE OR ELECTRIC SHOCK--DO NOT USE THIS HEATER WITH ANY SOLID-STATE SPEED CONTROL DEVICES.**
- This product is **not intended** to be a **primary heat source**. It is for **supplemental heat only**.
- **INDOOR use only! NEVER use this heater outdoors!** Doing so may result in **electric shock!**
- **Risk of electric shock! DO NOT OPEN!** No user-serviceable parts inside!
- **NEVER modify this heater.** Doing so could result in personal **injury** or property **damage**. Modification of this fireplace **completely voids all warranties**.
- **ALWAYS** turn this heater off before unplugging it from the outlet.
- **ALWAYS disconnect** this unit from the **power supply before** performing any assembly or cleaning, or before relocating the electric fireplace.
- **NEVER** leave this heater unattended. **ALWAYS** unplug this heater when not in use.
- **ALWAYS** store this heater in a dry location. **NEVER** use the fireplace if it has become wet.A
- **ONLY** use this heater on a **120V AC 15-Amp circuit. NEVER overload the circuit.** If this heater trips the circuit breaker, unplug all other appliances on the same circuit before the next use. Avoid plugging other appliances into the same circuit as this heater.
- **NEVER** plug this heater into an outlet that is **old, cracked,** or has any **loose wires or connections**. Plugging this heater into a faulty outlet could result in **electric arcing** within the outlet that could cause the **outlet to overheat or catch fire**.
- **ALWAYS** check your heater cord and plug connections with **each use!**
 1. **MAKE SURE** the plug fits tight in the outlet! Faulty wall outlet connections or loose plugs can cause the outlet to overheat.
 2. **Heaters draw more current** than small appliances. **Overheating** may occur even if it has not occurred with the use of other appliances.
 3. During use **check frequently** to see if the **plug outlet or faceplate is HOT!** If the outlet or faceplate is **HOT, discontinue use immediately** and have a qualified electrician inspect and/or replace the faulty outlets.

This heater has a polarized plug (one blade is wider than the other). As a safety feature to reduce the risk of electrical shock, this plug is intended to fit in a polarized outlet only one way. If the plug does not fit fully in the outlet, reverse the plug. If it still does not fit, contact a qualified electrician. Do not attempt to defeat this safety feature.



GENERAL SPECIFICATIONS

ELECTRICAL SPECIFICATIONS (all models)

INPUT VOLTAGE	120V AC, 60 Hz
CABLE LENGTH	72", 2.0m
MAX. POWER CONSUMPTION	1500W
HEAT OUTPUT	1500W Nominal
	1500W Max.
	750W Min.

FLAME ONLY OPERATION

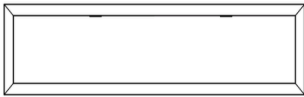






DY-BTX42	DY-BTX52	DY-BTX64
25 W	32 W	34 W

DY-BTX74	DY-BTX82	DY-BTX100
41 W	46 W	51 W

WiFi OPERATION

- Controlled via Dynasty app
 - Connect on 2.4 GHz network only
- WiFi 802.11 b/n/g

PACKAGE CONTENTS

CONTENT IN PACKAGING		
 <p>(A) FIREPLACE x 1</p>	 <p>(B) REMOTE CONTROL x 1</p>	 <p>(C) AAA BATTERY x 2</p>
 <p>(D) CRYSTAL STONES SET Small Crystals included in all models</p> <p>Large Crystals: DY-BTX42 - 10 DY-BTX52 - 10 DY-BTX64 - 15 DY-BTX74 - 15 DY-BTX82 - 20</p>	 <p>(E) FAUX LOG SET</p> <p>DY-BTX42 - 5 DY-BTX52 - 7 DY-BTX64 - 9 DY-BTX74 - 10 DY-BTX82 - 12</p>	 <p>(F) ST3.5x35 SCREWS x 8</p>
		 <p>(G) USER MANUAL x 1</p>

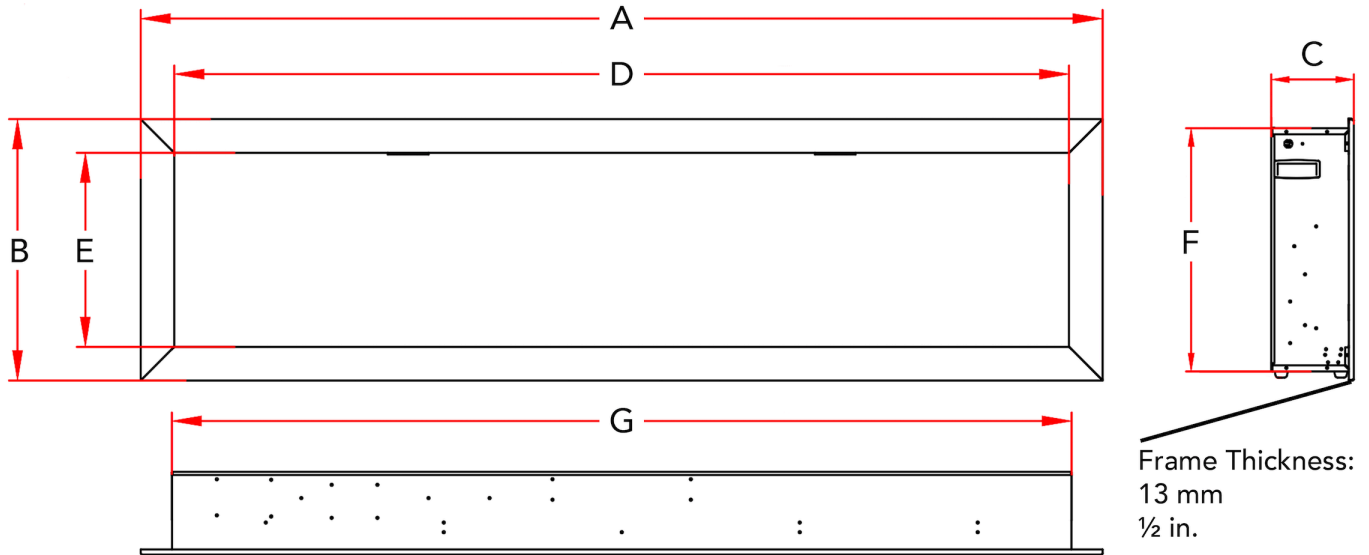
PLEASE REMOVE ACCESSORIES AND MANUAL BEFORE DISCARDING PACKAGING

For warranty, parts, or product support, please visit our site at:

support.dynastyfireplaces.com

Contact us at: support@dynastyfireplaces.com

PRODUCT DIMENSIONS



Model	A	B	C	D	E	F	G
DY-BTX42	1079 mm	514 mm	165 mm	946 mm	381 mm	480 mm	956 mm
	42 ½ in.	20 ¼ in.	6 ½ in.	37 ¼ in.	15 in.	18 ⅞ in.	37 ⅝ in.
DY-BTX52	1333 mm	514 mm	165 mm	1200 mm	381 mm	480 mm	1210 mm
	52 ½ in.	20 ¼ in.	6 ½ in.	47 ¼ in.	15 in.	18 ⅞ in.	47 ⅝ in.
DY-BTX64	1638 mm	514 mm	165 mm	1505 mm	381 mm	480 mm	1514 mm
	64 ½ in.	20 ¼ in.	6 ½ in.	59 ¼ in.	15 in.	18 ⅞ in.	59 ⅝ in.
DY-BTX74	1892 mm	514 mm	165 mm	1759 mm	381 mm	480 mm	1768 mm
	74 ½ in.	20 ¼ in.	6 ½ in.	69 ¼ in.	15 in.	18 ⅞ in.	69 ⅝ in.
DY-BTX82	2096 mm	514 mm	165 mm	1962 mm	381 mm	480 mm	1972 mm
	82 ½ in.	20 ¼ in.	6 ½ in.	77 ¼ in.	15 in.	18 ⅞ in.	77 ⅝ in.
DY-BTX100	2553 mm	514 mm	165 mm	2421 mm	381 mm	480 mm	2432 mm
	100 ½ in.	20 ¼ in.	6 ½ in.	95 ¼ in.	15 in.	18 ⅞ in.	95 ⅝ in.

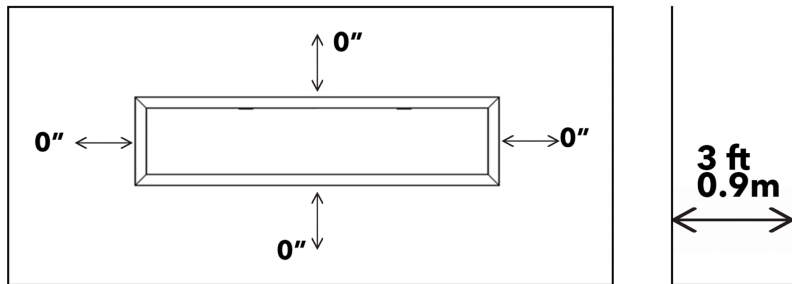
INSTALLATION

LOCATING YOUR ELECTRIC FIREPLACE

Your new electric fireplace may be installed virtually anywhere in your home. However, when choosing a location, ensure that the general instructions are followed. For best results, install out of direct sunlight. Power supply service must be either completed or placed within the electric fireplace prior to finish to avoid reconstruction.

MINIMUM CLEARANCE TO COMBUSTIBLES

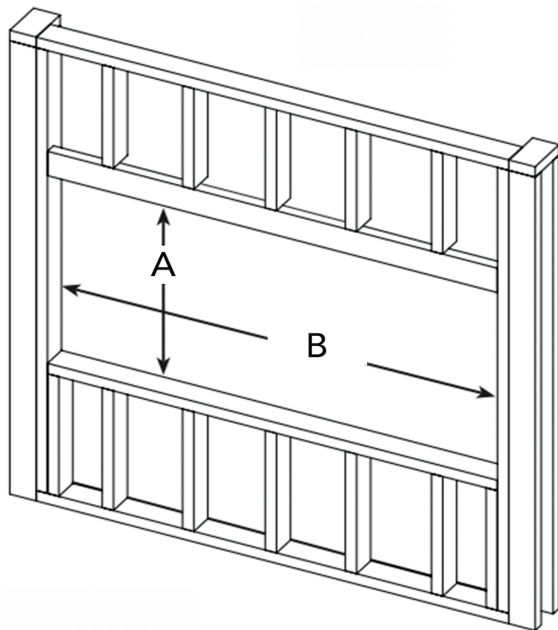
FRONT	BACK	SIDES	TOP	BOTTOM
36" / 0.9m	0"	0"	0"	0"



WARNING! Keep drapery and other furnishings at least 3ft /0.9m from the front of the electric fireplace.

FRAMING & INSTALLATION

Note: Ensure that you leave adequate room to remove and replace the front screen or optional front.

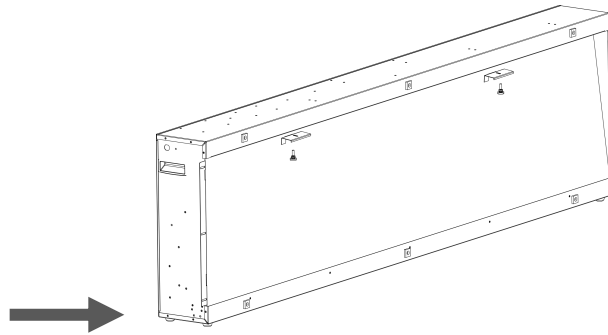


Framing Dimensions

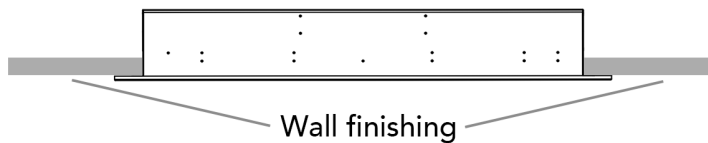
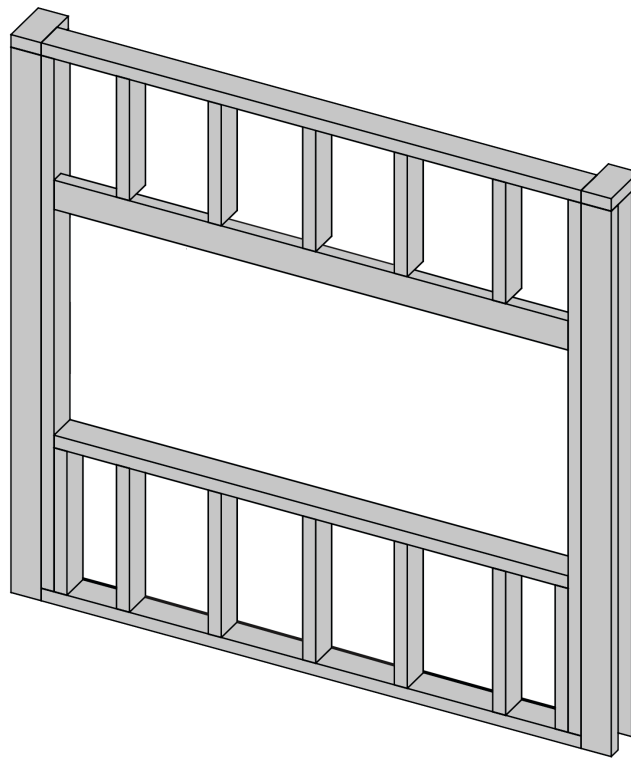
Model	A	B	Depth
DY-BTX 42	495 mm	984 mm	165 mm
	19 ½ in.	38 ¾ in.	6 ½ in.
DY-BTX 52	495 mm	1238 mm	165 mm
	19 ½ in.	48 ¾ in.	6 ½ in.
DY-BTX 64	495 mm	1543 mm	165 mm
	19 ½ in.	60 ¾ in.	6 ½ in.
DY-BTX 74	495 mm	1797 mm	165 mm
	19 ½ in.	70 ¾ in.	6 ½ in.
DY-BTX 82	495 mm	1994 mm	165 mm
	19 ½ in.	78 ½ in.	6 ½ in.
DY-BTX 100	495 mm	2451 mm	165 mm
	19 ½ in.	96 ½ in.	6 ½ in.

INSTALLATION PROCEDURE

NOTE: There are four rubber feet on the bottom of the fireplace that can be removed before installation



1. Build frame according to framing dimensions on previous page and ensure a power source is available. It is recommended to install the fireplace after finishing the wall to ensure the side brackets sits flush with the wall finishing.

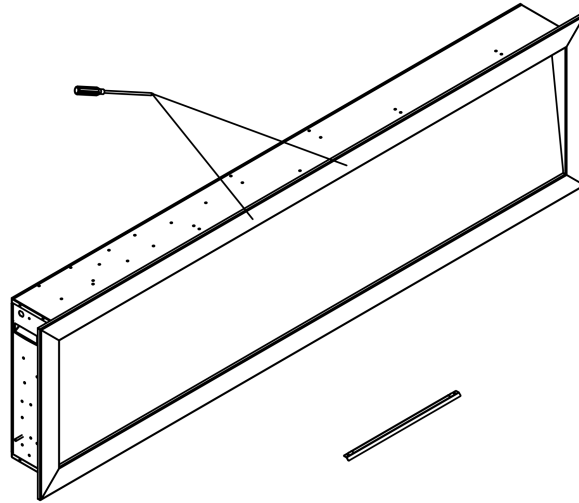


Top View:

Wall finishing

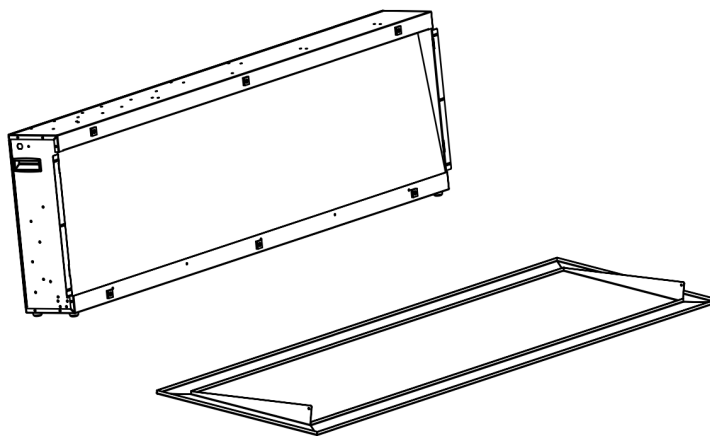
2. Remove front glass and trim piece, and set aside

a. Unscrew and remove two screws holding the louver piece

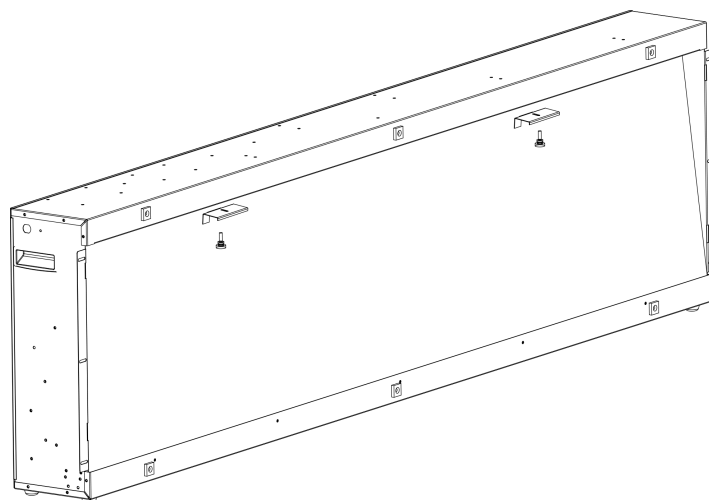


b. Remove the front trim piece

NOTE: Beware of the locking magnets when installing the trim piece



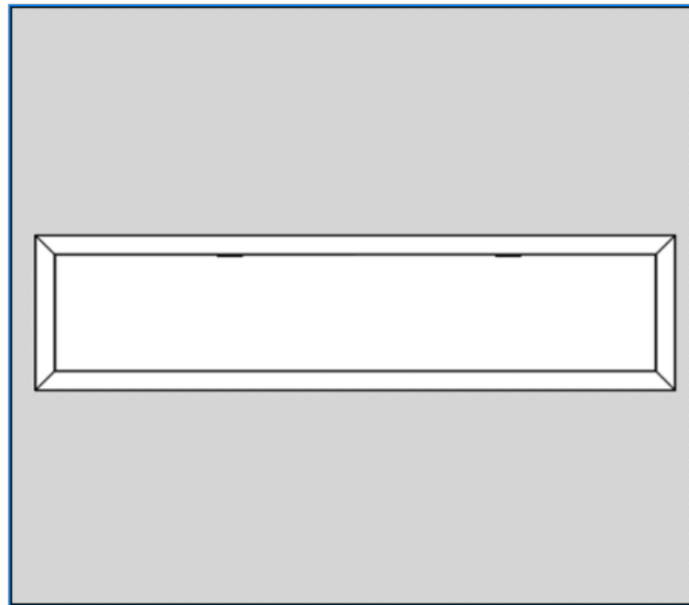
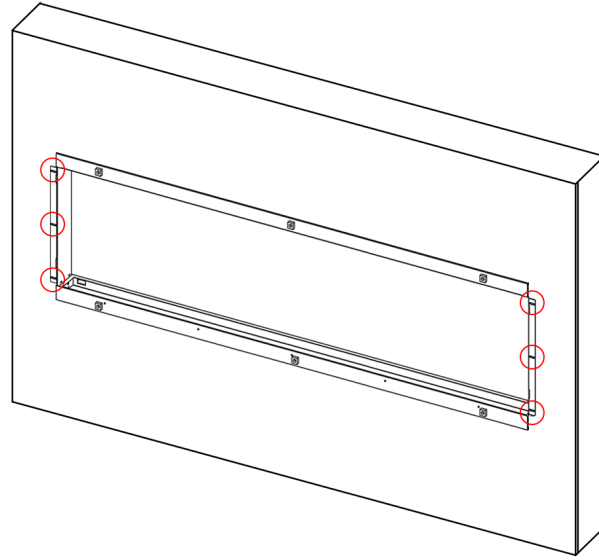
c. Loosen and remove two hinge plates behind the top trim





3. Place fireplace into wall framing and use framing screws to secure the side brackets to wall.

Refer to the next section for faux logs and crystal media installation. Install front glass and trim piece after placing media



PLACING MEDIA ON FLAME BED

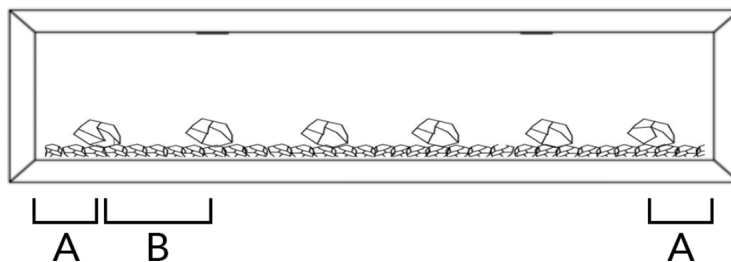
The following number of faux wood and crystal stones are supplied with each model:

Model	Logs	Crystals
DY-BTX42	5	10
DY-BTX52	7	10
DY-BTX64	9	15
DY-BTX74	10	15
DY-BTX82	12	20

CRYSTAL MEDIA:

Carefully spread the small crystal stones across the fuel bed.
To maximize crystal spread, evenly arrange the larger crystal stones starting about 2 inches away from the inset window ledge at the front of the firebox.

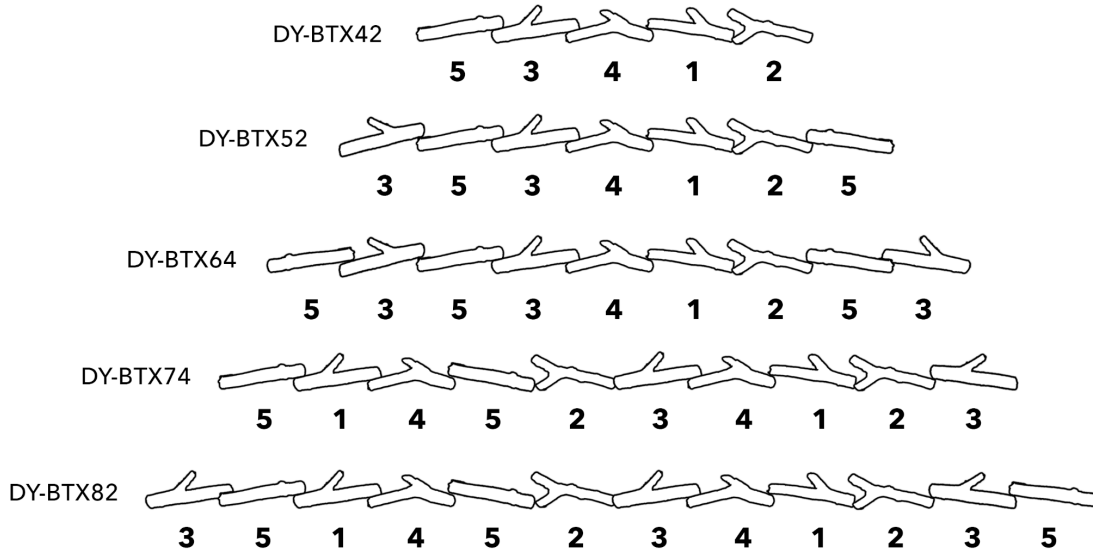
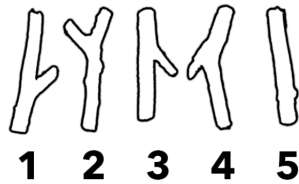
Where "A" is the distance away from the inset ledge, "B" is the distance between crystals



Model	DY-BTX42	DY-BTX52	DY-BTX64	DY-BTX74	DY-BTX82
A	2"	2"	2"	2"	2"
B	3½"	4½"	3½"	4¼"	3½"

FAUX LOGS MEDIA:

Carefully spread the small clear and semi-painted crystal stones across the fuel bed. Arrange the logs and place the small semi-painted and clear crystal stones in between the log layout.



POWER OPTIONS

Plug-in

You may run the power cord out of the framed wall opening to an existing outlet or install an outlet on a nearby wall stud within the wall). If the cord is not long enough to reach the outlet, a grounded extension cord minimum AWG No. 14 wiring and rated to a minimum or 1875 watts may be used.

Hard-wire

A qualified electrician may remove the cord connection and wire the appliance directly to the house hold wiring. The appliance must be electrically connected and grounded in accordance with local codes.

FIREPLACE REPAIR GUIDES

For full detailed instructions and step-by-step guides on how to repair and service the fireplace, including repair and replacement of parts such as LED lights, motor, heater, etc, please visit our support website at:

support.dynastyfireplace.com

SERVICEABLE PARTS LIST

ITEM	DESCRIPTION	PART NUMBER*
1	IR Receiver	DY-BTX-RCV
2	Flame Motor	DY-BTX-MTR
3	Main Control Board	DY-BTX-PCB-XX
4	Remote	DY-BTX-RMT
5	Crystal Media	DY-BTX-CRY-XX
6	Log Media	DY-BTX-LOG-XX
7	Heater	DY-BTX-HTR
8	Flame Bed LED	DY-BTX-FBL-XX
9	Flame LED	DY-BTX-FLD-XX
10	Flicker Rod	DY-BTX-FKR-XX
11	Flame Screen	DY-BTX-FMS-XX
12	Front Trim	DY-BTX-TRM-XX
13	Front Glass	DY-BTX-FGL-XX

NOTE:

*PARTS WITH "XX" AT THE END DENOTES THE SKU OF THE FIREPLACE. FOR EXAMPLE, A DY-BTX64 WILL REPLACE THE "XX" WITH "64"

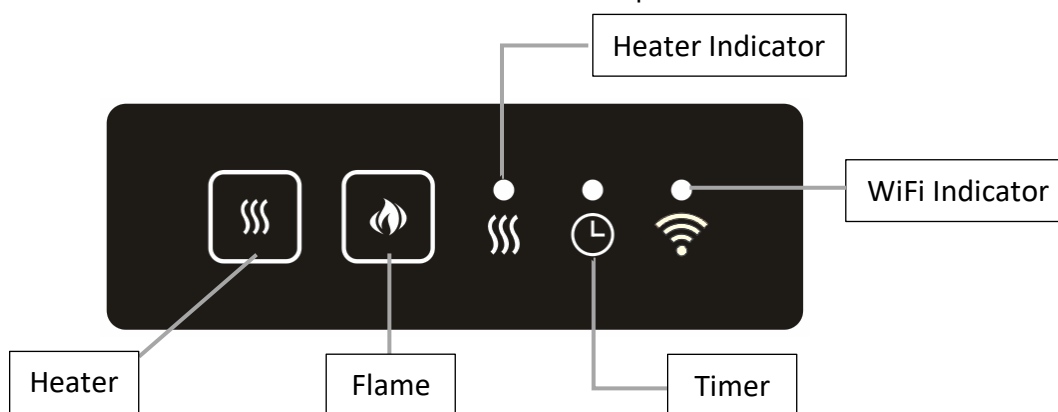
For parts, please contact your dealer, distributor, or point of purchase and provide model number and serial number when requesting service parts

OPERATION

This appliance can be operated by remote control and onboard buttons, however onboard buttons have limited functions. A beep should be heard when the power is first applied.

1. ONBOARD BUTTONS

The onboard buttons are located under the trim on the top left.



Press the **Flame** button to turn on/off the flame LED and cycle through flame brightness levels High/Medium/Low.



Press the **Heater** button to turn on/off the heater and cycle through heat levels High/Low. Heat level is indicated by the **Heater Indicator** light.



Red Indicator: High heat

Blue Indicator: Low heat

Indicator Off: Heater off



Indicator On: Heater timer is set

2. WIFI CONFIGURATION



The Cascade series is controllable via Dynasty Fireplaces' own smartphone app for Android and iOS. Download the Dynasty app, and sign up for an account with your email, and connect your fireplace. To download the app, visit:

dynastyfireplaces.com/download

For more information on WiFi setup, and connecting to voice-assistants visit: support.dynastyfireplaces.com

WIFI SETUP

NOTE: WiFi control and operation of the fireplace can only be done after an account has been created, and the device has been linked to your account

1. Download the Dynasty app, follow the onscreen instructions to create an account. Only an active email is required to create an account



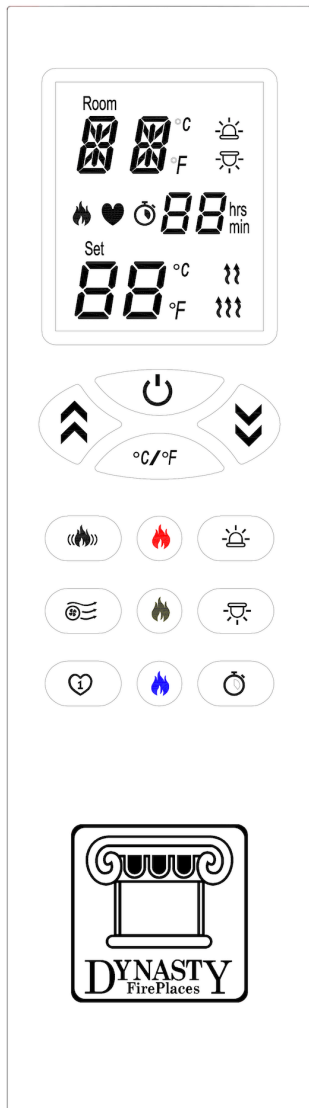
2. With the fireplace in standby mode (flame and heater turned off, plugged into power), press and hold the heater button for 5 seconds until fireplace makes a beep sound



3. Ensure the WiFi Indicator is blinking, then return to the app to complete setup and link the fireplace to your account

For more information on WiFi setup, and connecting to voice-assistants visit:
support.dynastyfireplaces.com

3. REMOTE CONTROL



BUTTON	MAIN FUNCTION	DESCRIPTION
	turn on/off fireplace	Press to turn the fireplace on or off. This button only turns on or off the flame and flame bed LEDs
	toggle between Celsius and Fahrenheit	Press to change displayed temperature units between Celsius and Fahrenheit
	adjust heater and display temperature	Press the arrows to adjust preset temperature. °C Presets: 16-19-21-23-25-27-30 °F Presets: 61-66-70-73-77-80-86
	toggle on/off flames LED	Press to turn on or off the flames LEDs only
	toggle on/off the flame bed light	Press to cycle through different colours or turn on/off the flame bed LEDs only
	adjust intensity of red, yellow, and blue flames	Press each flame colour button to cycle through 3 different brightness levels and OFF <ul style="list-style-type: none"> • R1, R2, R3 indicates the red intensities • Y1, Y2, Y3 indicates the yellow intensities • B1, B2, B3 indicates the blue intensities
	toggle heater high/low/on/off	<ul style="list-style-type: none"> • High heat: press button until high heat indicator () is displayed on the remote • Low heat: press button until low heat indicator () is displayed on the remote • To turn off heater, press button until both high and low heat indicator are off on the remote display
	set fireplace timer in hour-long increments	Press button to set the fireplace to turn off in: 30min-1h-2h-3h-4h-5h-6h-7h-8h-9h-00 LCD display indicates 30-1H-2H-3H-4H-5H-6H-7H-8H-9H-00
	save favourite flame lights settings	Press and hold for 3 seconds to save 1 setting of the flame LEDs

OPERATION



ALWAYS turn the heater **OFF** and **unplug the power cord from the outlet** before cleaning, performing maintenance, or moving this fireplace. Failure to do so could result in **electric shock, fire, or personal injury**.

Cleaning



NEVER immerse in water or **spray with water**. Doing so could result in **electric shock, fire, or personal injury**.

Metal:

- Buff using a soft cloth, slightly dampened with a mild cleaning solution if needed.
- **DO NOT** use brass polish or household cleaners as these products will damage the metal trim.

Glass:

- Use a good quality glass cleaner and dry thoroughly with a paper towel or lint-free cloth.
- **NEVER** use abrasive cleansers, liquid sprays, or any cleaner that could scratch the surface.

Plastic:

- Wipe gently with a slightly damp cloth and a mild cleaning solution and warm water.
- **NEVER** use abrasive cleansers, liquid sprays, or any cleaner that could scratch the surface.

Vents:

- Use a vacuum or duster to remove dust and dirt from the heater and vent areas.
- Clean the exterior of the fireplace with a slightly damp cloth or duster.

Maintenance



Risk of electric shock! DO NOT OPEN! No user-serviceable parts inside!



ALWAYS turn the heater **OFF** and **unplug the power cord from the outlet** before cleaning, performing maintenance, or moving this fireplace. Failure to do so could result in **electric shock, fire, or personal injury.**

Electrical and Moving Parts:

- The fan motors are lubricated at the factory and will not require lubrication.
- Electrical components are integrated in the fireplace and are not serviceable by the consumer.

Storage:

- Store heater in a clean dry place when not in use.

Replacement parts:

- Use only replacement parts supplied by Dynasty Fireplaces. Use of any other parts, or modifying the fireplace in any way, will void all warranties.
- If you've made a purchase through one of our retailers, contact them to order parts, or contact support@dynastyfireplace.com

For full detailed instructions and step-by-step guides on how to repair and service the fireplace, including repair and replacement of internal parts such as LED lights, motor, heater, etc., please visit our support website at:

support.dynastyfireplace.com

WARRANTY

This product is inspected, tested and carefully packaged to minimize the chance of damage during shipment. If a part within two years, or 24 months from the date of purchase proves to be defective in material or fabrication under normal use, the part will be repaired or replaced. Dynasty Fireplaces' obligation under the warranty is to replace or repair defective parts at our discretion. Any expenses or damage resulting from the installation, removal, or transportation of the product will be the responsibility of the owner and are not covered by this warranty. The owner assumes all other risks arising from the use or misuse of the product. The warranty will be void if the product damage or failure is deemed by Dynasty to be caused by accident, alteration, misuse, abuse, incorrect installation or removal, or connection to an incorrect power source by the owner. Dynasty Fireplaces neither assumes, nor authorizes and person or entity to assume for it any obligation or liability associated with its products.



CALIFORNIA PROPOSITION 65 WARNING

**WARNING: This product can expose you to chemicals including Carbon Black, which is known to the State of California to cause cancer, and Bisphenol A (BPA), which is known to the State of California to cause birth defects or other reproductive harm. For more information go to:
www.P65Warnings.ca.gov**

Dynasty Fireplaces



10-3071 No. 5 Road
Richmond, BC Canada
V6X 2T4

Telephone: (604) 821-1009

Toll free: 1-877-521-1009

Website: dynastyfireplaces.com

Support: support@dynastyfireplaces.com

Support Site: support.dynastyfireplaces.com

CONSIGNES DE SÉCURITÉ

- **Lire toutes les instructions avant d'utiliser cet appareil de chauffage !**
- Cet appareil est **chaud durant son utilisation**. Pour éviter tout risque de brûlure, **NE PAS** toucher les surfaces chaudes. Si elles sont fournies, utiliser les poignées pour déplacer cet appareil. Garder les **matériaux inflammables**, tels que meubles, coussins, literie, papiers, vêtements et rideaux à au moins **3 pieds (0.9 m)** de distance du **devant de l'appareil** et **éloigner des côtés et de l'arrière de l'appareil**.
- **Faire très attention** lorsque l'appareil de chauffage est utilisé par ou à proximité d'**enfants** ou de **personnes vulnérables**, ainsi que lorsqu'il **fonctionne sans surveillance**.
- **NE PAS** utiliser cet appareil de chauffage si son **cordon d'alimentation** ou sa **prise** sont **endommagés**, s'il **ne fonctionne pas correctement**, s'il a subi une **chute** ou a été **endommagé de quelque manière que ce soit**. Mettre l'appareil au rebut ou le retourner à un réparateur agréé pour examen et/ou réparation.
- **NE PAS** faire passer le **cordon d'alimentation** sous un tapis/moquette. **NE PAS** couvrir le cordon d'alimentation par des tapis, moquettes, matelas ou tout revêtement similaire. **NE PAS** faire passer le cordon d'alimentation sous des meubles ou des appareils électro-ménagers. Éloignez le cordon d'alimentation des **endroits de passage**, ou des endroits avec un risque de trébuchement.
- **NE PAS** insérer ou laisser des **corps étrangers pénétrer dans les ouvertures d'aération** ou de **ventilation**, cela pourrait provoquer une **décharge électrique** ou un **incendie**, ou **endommager l'appareil**.
- Pour éviter tout risque d'incendie, **NE PAS** obstruer les entrées/sorties d'air de quelque manière que ce soit. Cela pourrait provoquer un **incendie**. **NE PAS** utiliser sur des surfaces molles, comme un lit, où les ouvertures pourraient être obstruées.
- Un appareil de chauffage contient des **pièces chaudes, générant des arcs électriques ou produisant des étincelles**. **NE PAS** utiliser dans des endroits où de **l'essence**, de la **peinture** ou des **liquides inflammables** sont utilisés ou stockés.
- **Utilisez cet appareil uniquement comme indiqué dans ce manuel**. Toute autre utilisation non recommandée par le fabricant pourrait provoquer un incendie, une décharge électrique ou des blessures corporelles.
- **TOUJOURS** brancher les appareils de chauffage directement sur une prise murale. **NE JAMAIS** utiliser avec une rallonge électrique ou une prise de courant amovible (prise/multiprise).
- **NE PAS** placer l'appareil de chauffage près d'un lit, car des objets tels que des oreillers ou des couvertures pourraient tomber du lit et prendre feu au contact de l'appareil.
- **NE JAMAIS** utiliser ce chauffage dans une **salle de bain**, une **salle de lavage** ou tout autre endroit où il pourrait tomber dans une **baignoire** ou une **piscine**, devenir **humide** ou **entrer en contact avec de l'eau**.
- **ÉVITER LES INCENDIES !** Inspectez régulièrement tous les espaces d'aération pour vous assurer qu'ils ne contiennent aucune poussière, peluche ou tout autre obstacle. **Débranchez l'appareil** et nettoyez-le avec un **aspirateur UNIQUEMENT**. **NE PAS** rincer ou mouiller.
- **NE JAMAIS** accrocher cet appareil à un mur **directement sous une prise de courant**.
- **NE JAMAIS** installer dans une **zone encastrée du mur de manière permanente**. Cela pourrait **bloquer la circulation d'air**, provoquer une **surchauffe** ou un **incendie**.
- **TOUJOURS** monter sur le support mural avant utilisation.

CONSIGNES DE SÉCURITÉ

- **AVERTISSEMENT : RÉDUISEZ LE RISQUE D'INCENDIE OU DE DÉCHARGE ÉLECTRIQUE --- NE PAS UTILISER CET APPAREIL AVEC UN DISPOSITIF DE CONTRÔLE DE LA VITESSE SEMI-CONDUCTEUR.**
- Ce produit **n'est pas conçu pour être la principale source de chauffage**. C'est un **chauffage d'appoint uniquement**.
- **Usage en intérieur uniquement !** Ne **JAMAIS** utiliser cet appareil de chauffage **en extérieur** ! Cela pourrait provoquer une **décharge électrique** !
- **Risque d'électrocution ! NE PAS OUVRIR !** Ne contient aucune pièce réparable par l'utilisateur !
- **Ne JAMAIS modifier cet appareil de chauffage**. Cela pourrait causer des **blessures** ou des **dommages matériels**. Toute modification sur cette cheminée **annule complètement toutes les garanties**.
- Veillez à **TOUJOURS** éteindre l'appareil avant de le débrancher de la prise murale.
- Veillez à **TOUJOURS débrancher** l'appareil de l'**alimentation électrique avant** de procéder à un assemblage, un nettoyage ou à un déplacement de celui-ci.
- Ne **JAMAIS** laisser cet appareil de chauffage sans surveillance. **TOUJOURS** le débrancher lorsqu'il n'est pas en marche.
- **TOUJOURS** placer ou ranger cet appareil de chauffage dans un endroit sec. Ne **JAMAIS** l'utiliser s'il est mouillé.
- Utilisez **UNIQUEMENT** cet appareil de chauffage sur un **circuit de 15A / 120 V CA**. **NE JAMAIS** surcharger le circuit. Si l'appareil de chauffage déclenche le disjoncteur, débranchez tous les autres appareils branchés sur le même circuit avant la prochaine utilisation. Évitez de brancher d'autres appareils sur le même circuit que cet appareil de chauffage.
- Ne branchez **JAMAIS** cet appareil de chauffage sur une prise **usagée, fissurée** ou présentant des **fils ou des connexions desserrés**. En branchant cet appareil sur une prise défectueuse, vous risqueriez de provoquer des **arcs électriques** dans la prise, susceptibles de la **surchauffer** ou de **s'enflammer**.
- **TOUJOURS** vérifier le cordon de votre appareil de chauffage et les fiches de raccordement à **chaque utilisation** !
 4. **ASSUREZ-VOUS** que la fiche est bien insérée dans la prise ! Des connexions de prise murale défectueuses ou des fiches desserrées peuvent provoquer une surchauffe de la prise.
 5. **Les appareils de chauffage consomment plus d'électricité** que les petits appareils. Une **surchauffe** peut survenir même si cela n'est pas arrivé avec l'utilisation d'autres appareils.
 6. Pendant l'utilisation, **vérifiez régulièrement** si la **prise ou la façade est CHAUDE** ! Si la prise ou la façade est **CHAUDE, cessez immédiatement l'utilisation** de l'appareil et faites appel à un électricien qualifié pour inspecter et/ou remplacer les prises défectueuses.

Cet appareil de chauffage est équipé d'une fiche polarisée (une lame est plus large que l'autre). En tant que dispositif de sécurité visant à réduire le risque de décharge électrique, cette fiche est conçue pour être insérée uniquement dans une prise polarisée. Si la fiche ne s'insère pas correctement dans la prise, essayez dans l'autre sens. Si le problème persiste, contactez un électricien qualifié. Ne tentez pas de neutraliser ce dispositif de sécurité.

CARACTÉRISTIQUES GÉNÉRALES

SPÉCIFICATIONS ÉLECTRIQUES (TOUS MODÈLES)

TENSION ENTRÉE	120V AC, 60 Hz
LONGUEUR DU CABLE	72" , 2.0m
CONSOMMATION PUISSANCE MAX.	1500W
CHALEUR SORTIE	1500W Nominale
	1500W Max.
	750W Min.

MODE FLAMME UNIQUEMENT








DY-BTX42	DY-BTX52	DY-BTX64
25 W	32 W	34 W

DY-BTX74	DY-BTX82	DY-BTX100
41 W	46 W	51 W

MODE WiFi

- Contrôlé via l'app. Dynasty
- Se connecter sur le réseau 2.4 GHz seulement WiFi 802.11 b/n/g

Contenu De L'emballage:

CONTENU DE L'EMBALLAGE		
 <p>(A) CHAUFFAGE x 1</p>	 <p>(B) TÉLÉCOMMANDE X 1</p>	 <p>(C) PILES AAA x 2</p>
 <p>(D) JEU DE PIERRES CRISTAL Petites Pierres incluses sur tous les modèles</p> <p>Grandes Pierres de Cristal :</p> <p>DY-BTX42 - 10 DY-BTX52 - 10 DY-BTX64 - 15 DY-BTX74 - 15 DY-BTX82 - 20</p>	 <p>(E) JEU DE BÛCHES</p> <p>DY-BTX42 - 5 DY-BTX52 - 7 DY-BTX64 - 9 DY-BTX74 - 10 DY-BTX82 - 12</p>	 <p>(F) VIS ST3.5x35 x 8</p>
		 <p>(G) MANUEL UTILISATEUR</p>

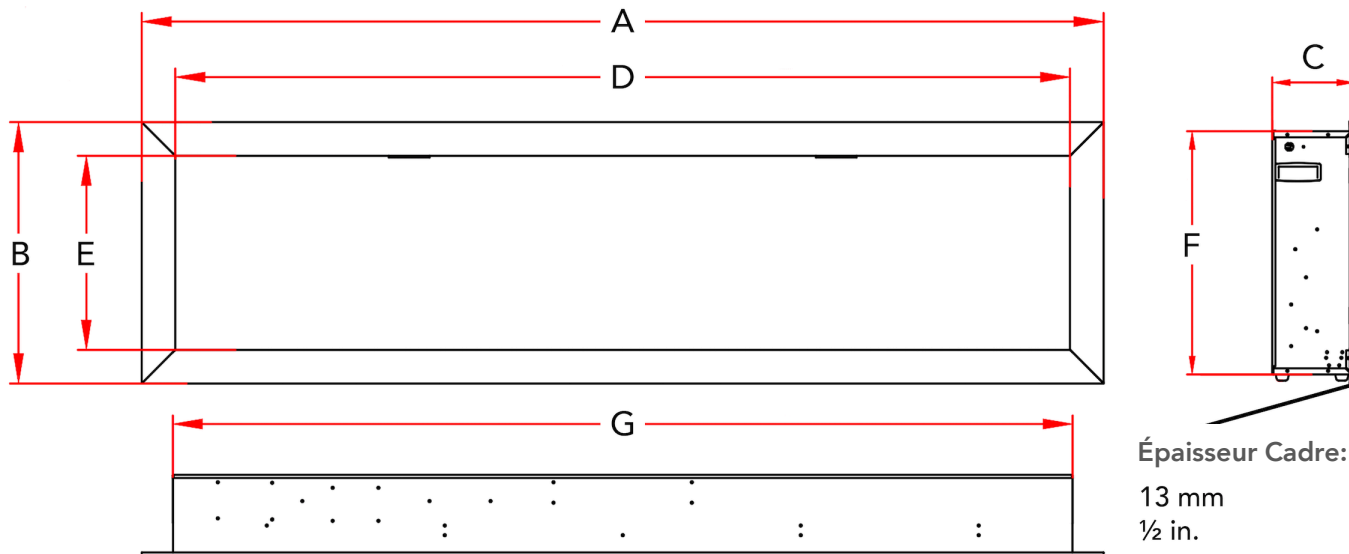
VEUILLEZ RETIRER LES ACCESSOIRES ET LE MANUEL AVANT DE JETER L'EMBALLAGE

Pour toute question liée à la garantie, aux pièces détachées, ou à l'assistance sur les produits, veuillez consulter notre site Internet :

support.dynastyfireplaces.com

Contactez-nous à : support@dynastyfireplaces.com

DIMENSIONS PRODUIT



Modèle	A	B	C	D	E	F	G
DY-BTX42	1079 mm	514 mm	165 mm	946 mm	381 mm	480 mm	956 mm
	42 1/2 in.	20 1/4 in.	6 1/2 in.	37 1/4 in.	15 in.	18 7/8 in.	37 5/8 in.
DY-BTX52	1333 mm	514 mm	165 mm	1200 mm	381 mm	480 mm	1210 mm
	52 1/2 in.	20 1/4 in.	6 1/2 in.	47 1/4 in.	15 in.	18 7/8 in.	47 5/8 in.
DY-BTX64	1638 mm	514 mm	165 mm	1505 mm	381 mm	480 mm	1514 mm
	64 1/2 in.	20 1/4 in.	6 1/2 in.	59 1/4 in.	15 in.	18 7/8 in.	59 5/8 in.
DY-BTX74	1892 mm	514 mm	165 mm	1759 mm	381 mm	480 mm	1768 mm
	74 1/2 in.	20 1/4 in.	6 1/2 in.	69 1/4 in.	15 in.	18 7/8 in.	69 5/8 in.
DY-BTX82	2096 mm	514 mm	165 mm	1962 mm	381 mm	480 mm	1972 mm
	82 1/2 in.	20 1/4 in.	6 1/2 in.	77 1/4 in.	15 in.	18 7/8 in.	77 5/8 in.
DY-BTX100	2553 mm	514 mm	165 mm	2421 mm	381 mm	480 mm	2432 mm
	100 1/2 in.	20 1/4 in.	6 1/2 in.	95 1/4 in.	15 in.	18 7/8 in.	95 5/8 in.

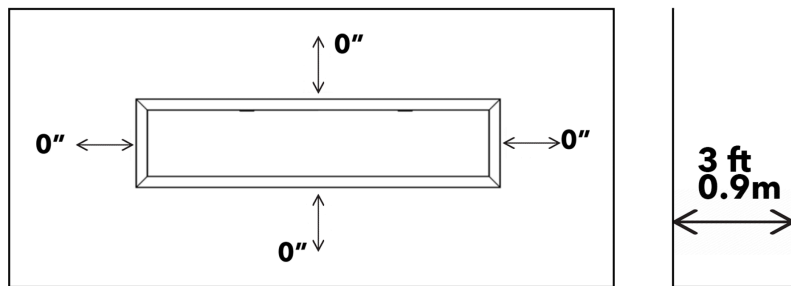
INSTALLATION

EMPLACEMENT DE VOTRE CHEMINÉE ÉLECTRIQUE

Votre nouvelle cheminée électrique peut être installée (presque n'importe) où vous le souhaitez dans votre maison. Cependant, lorsque vous choisissez un emplacement, assurez-vous de suivre les instructions générales. Pour une performance optimale, évitez un endroit trop ensoleillé. Le service d'alimentation électrique doit être achevé ou situé à proximité de l'appareil avant la finition pour éviter toute reconstruction.

DÉGAGEMENT MINIMAL DES COMBUSTIBLES

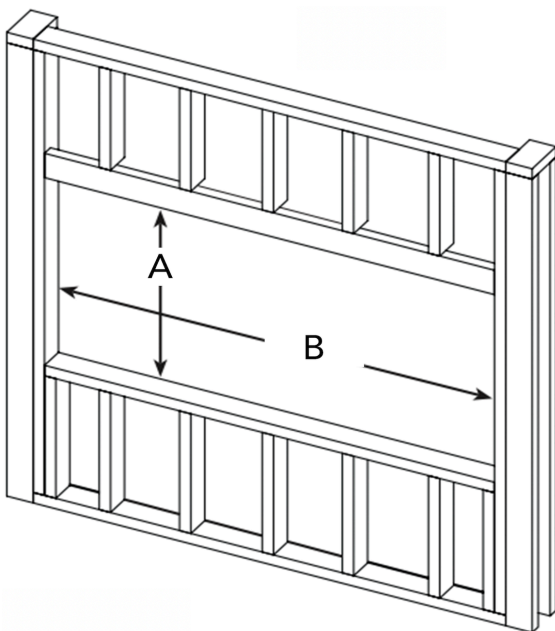
DEVANT	ARRIÈRE	COTÉS	DESSUS	DESSOUS
36" / 0.9m	0"	0"	0"	0"



ATTENTION ! Garder les draperies et les meubles à au moins 3 pi. /0.9 m du devant de la cheminée électrique.

CADRE & INSTALLATION

Note : veiller à laisser suffisamment d'espace pour retirer et replacer l'écran avant ou le devant optionnel.

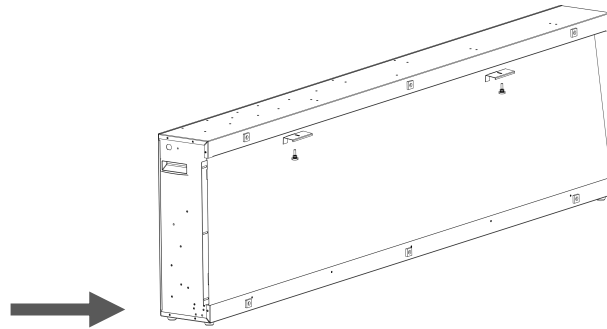


Dimensions du Cadre

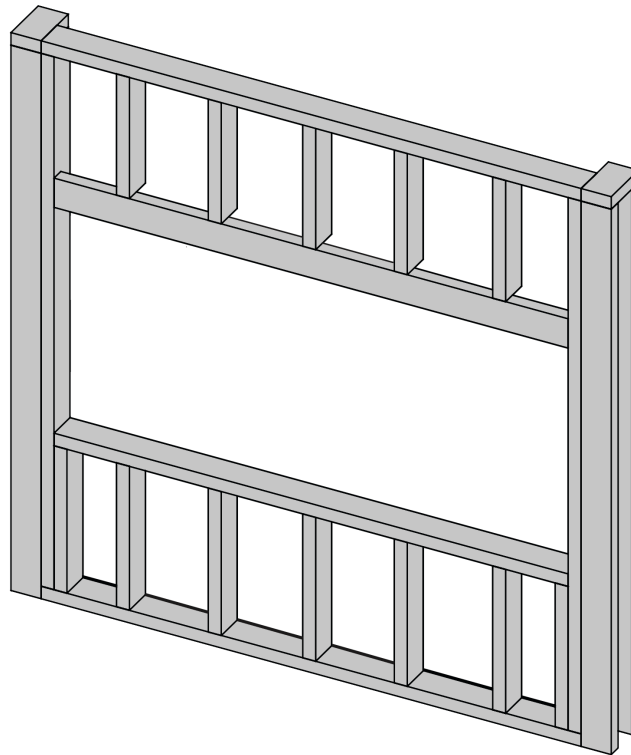
Modèle	A	B	Profondeur
DY-BTX 42	495 mm	984 mm	165 mm
	19 ½ in.	38 ¾ in.	6 ½ in.
DY-BTX 52	495 mm	1238 mm	165 mm
	19 ½ in.	48 ¾ in.	6 ½ in.
DY-BTX 64	495 mm	1543 mm	165 mm
	19 ½ in.	60 ¾ in.	6 ½ in.
DY-BTX 74	495 mm	1797 mm	165 mm
	19 ½ in.	70 ¾ in.	6 ½ in.
DY-BTX 82	495 mm	1994 mm	165 mm
	19 ½ in.	78 ½ in.	6 ½ in.
DY-BTX 100	495 mm	2451 mm	165 mm
	19 ½ in.	96 ½ in.	6 ½ in.

ÉTAPES D'INSTALLATION

NOTE : Il y a quatre pieds en caoutchouc au bas de la cheminée qui peuvent être retirés avant l'installation



1. Bâtir le cadre en fonction des dimensions fournies sur la page précédente et s'assurer qu'une source d'alimentation est disponible à proximité. Il est recommandé d'installer l'appareil après avoir achevé le mur pour s'assurer que les supports latéraux affleurent à la finition du mur.

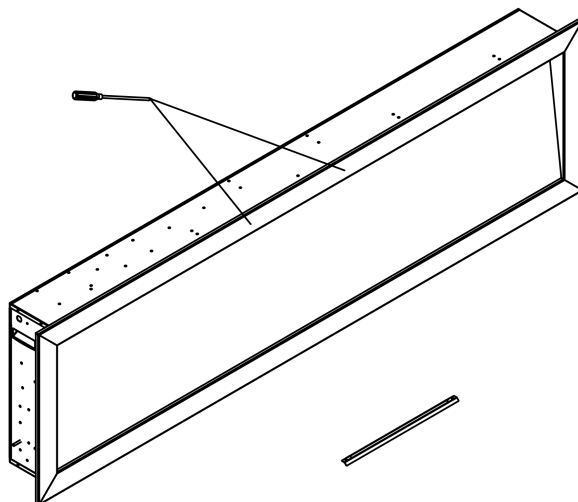


Vue du Dessus :



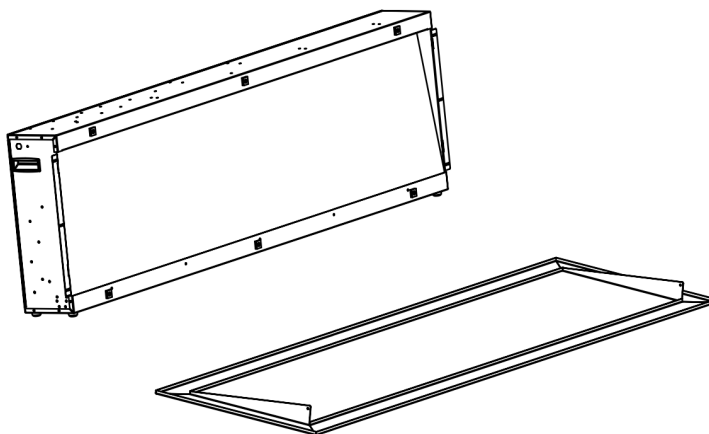
2. Retirer la vitre avant et la garniture, et mettre de côté

a. Dévisser, puis enlever les deux vis qui tiennent les persiennes

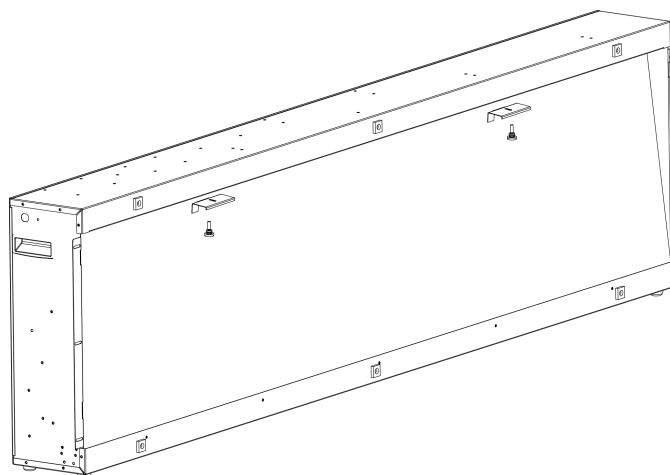


b. Retirer la garniture avant

NOTE: faire attention aux aimants de verrouillage lors de l'installation de la garniture

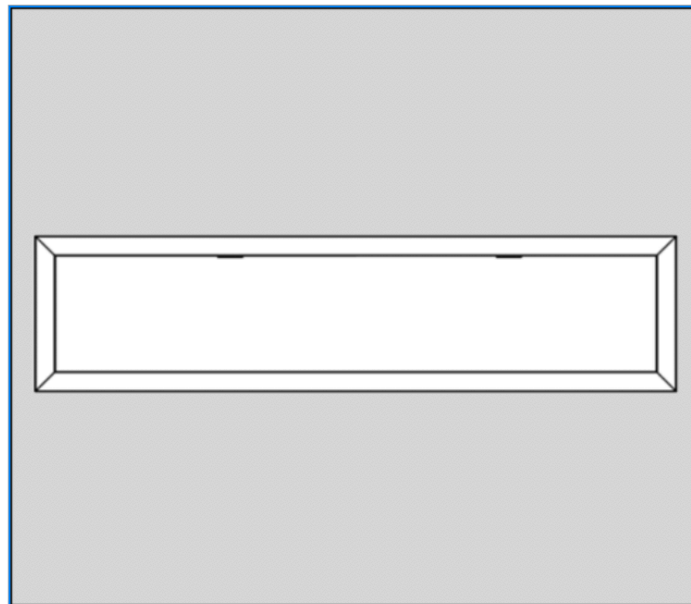
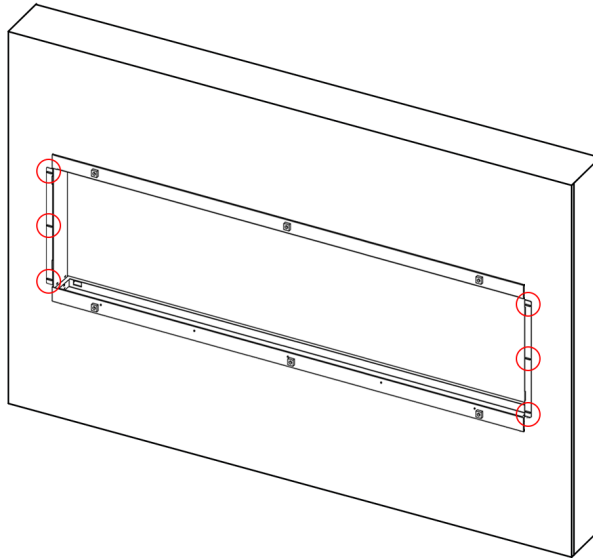


c. Desserrer et retirer les deux plaques articulées derrière l'ornement supérieur



3. Placer l'appareil dans la structure murale et utiliser des vis à charpente pour fixer les supports latéraux au mur.

Voir la section suivante pour l'installation des fausses bûches et du support pour les pierres de cristal. N'installer la vitre avant et la garniture qu'après avoir placé le support.



PLACEMENT DU SUPPORT SUR LE LIT DE COMBUSTION

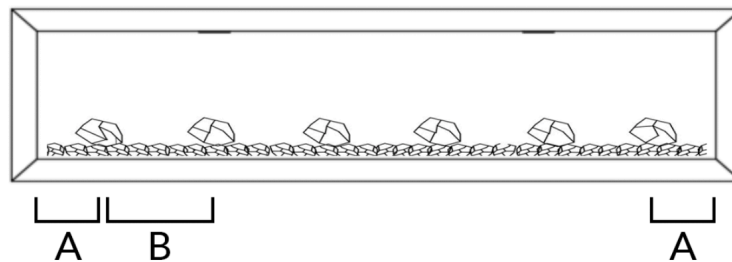
Chaque modèle est fourni avec le nombre de fausses bûches et pierres de cristal suivant :

Modèle	Nombre de Bûches	Nombre de Pierres de Cristal
DY-BTX42	5	10
DY-BTX52	7	10
DY-BTX64	9	15
DY-BTX74	10	15
DY-BTX82	12	20

SUPPORT PIERRES DE CRISTAL :

Répartir soigneusement les petites pierres de cristal le long du lit de combustion. Pour optimiser la répartition de l'ensemble des pierres de cristal, disposer les plus grosses pierres en commençant à partir de 5 cm du rebord de la fenêtre, à l'avant de la chambre de combustion.

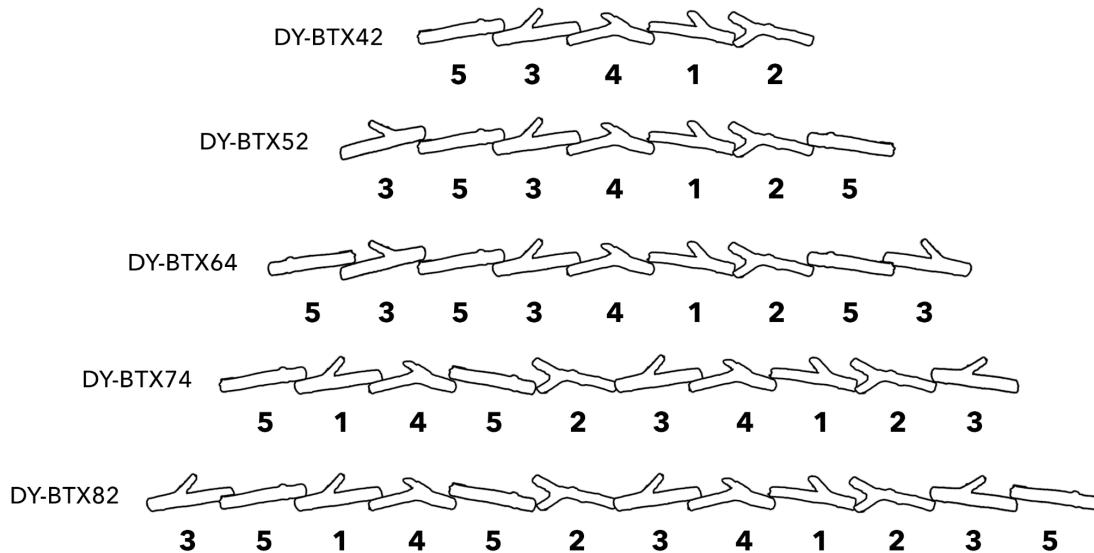
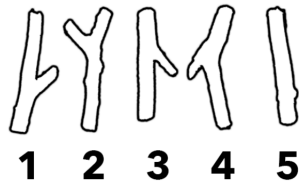
"A" désigne la distance qui sépare du rebord de la fenêtre, "B" désigne la distance entre les pierres de cristal.



Modèle	DY-BTX42	DY-BTX52	DY-BTX64	DY-BTX74	DY-BTX82
A	2"	2"	2"	2"	2"
B	3½"	4½"	3½"	4¼"	3½"

SUPPORT FAUSSES BÛCHES :

Répartir soigneusement les petites pierres de cristal claires et semi-peintes sur le lit de combustion. Placer les bûches puis répartissez les petites pierres de cristal claires et semi-peintes entre les bûches.



OPTIONS D'ALIMENTATION

Branchement électrique

Vous pouvez faire passer le cordon d'alimentation de l'ouverture du cadre mural vers une prise existante ou installer une prise sur un montant proche du mur. Si le cordon n'est pas assez long pour atteindre la prise, vous pouvez utiliser une rallonge mise à la terre d'un câblage AWG no 14 minimum et d'une puissance nominale d'au moins 1875 Watts.

Câblage « en dur »

Un électricien qualifié peut retirer le cordon d'alimentation et brancher l'appareil directement au câblage de la maison. L'appareil doit être connecté électriquement et mis à la terre conformément aux codes locaux.

RÉPARATION DE VOTRE CHEMINÉE

Pour obtenir des instructions complètes et détaillées, ainsi qu'un guide étape par étape pour réparer et entretenir votre cheminée, y compris le remplacement de pièces telles que les lumières LED, le moteur, le chauffage, etc., veuillez consulter la rubrique Assistance de notre site Web à l'adresse suivante :

support.dynastyfireplace.com

LISTE DES PIÈCES RÉPARABLES

ARTICLE	DESCRIPTION	NUMÉRO DE PIÈCE*
1	Récepteur IR	DY-BTX-RCV
2	Moteur à Flamme	DY-BTX-MTR
3	Tableau de Commande Principal	DY-BTX-PCB-XX
4	Télécommande	DY-BTX-RMT
5	Support Pierres de Cristal	DY-BTX-CRY-XX
6	Support Bûches	DY-BTX-LOG-XX
7	Chauffage	DY-BTX-HTR
8	LED Lit de Combustion	DY-BTX-FBL-XX
9	LED Flamme	DY-BTX-FLD-XX
10	Tige Scintillante	DY-BTX-FKR-XX
11	Écran Flamme	DY-BTX-FMS-XX
12	Anneau Décoratif	DY-BTX-TRM-XX
13	Vitre Avant	DY-BTX-FGL-XX

NOTE:

*LES PIÈCES COMPORTANT UN "XX" DÉSIGNENT L'ARTICLE DE LA CHEMINÉE. PAR EXEMPLE, LE "DY-BTX64" REMPLACERA LE "XX" AVEC "64".

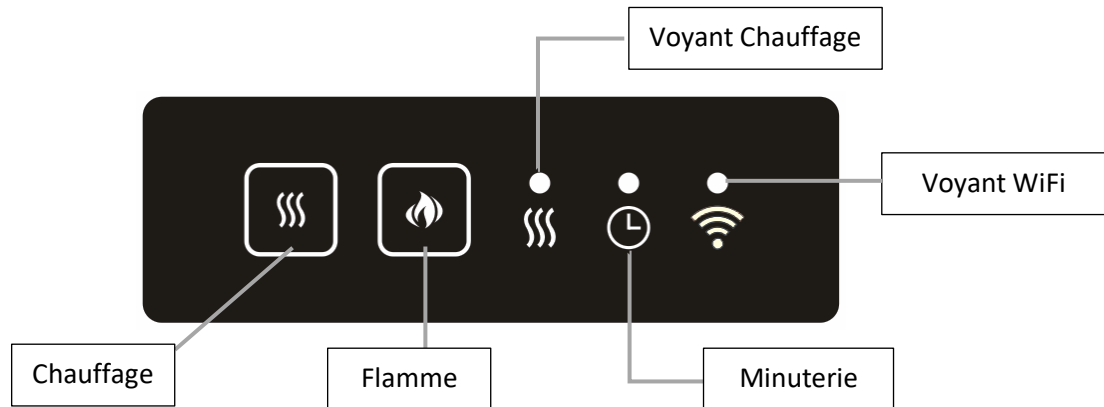
Pour les pièces de rechange, veuillez contacter votre revendeur, distributeur ou point de vente en fournissant le numéro de modèle et le numéro de série de votre appareil lors de votre demande.

INSTRUCTIONS D'UTILISATION

Les fonctionnalités de cet appareil peuvent être actionnées à l'aide d'une télécommande ou de commandes manuelles situées sur l'appareil. Cependant, les commandes manuelles ont des fonctions limitées. Vous devez entendre un bip après la mise sous tension initiale.

1. COMMANDES MANUELLES

Les commandes manuelles sont situées sous l'ornement en haut à gauche.



Appuyez sur le bouton **Flamme** pour allumer / éteindre la LED de la flamme et parcourir les niveaux de luminosité de la flamme Intense/ Moyenne / Faible.



Appuyez sur le bouton de **Chauffage** pour allumer / éteindre le chauffage et faire défiler les niveaux de chaleur Haut / Bas. Le niveau de chaleur est indiqué par le **Voyant de Chauffage**.



Voyant Rouge : Chaleur Intense

Voyant Bleu : Faible Chaleur

Voyant Éteint : Chauffage Éteint



Voyant allumé : La minuterie du chauffage est activée

2. CONFIGURATION WIFI



La série Cascade est contrôlable via l'application pour téléphone intelligent de Dynasty Fireplaces pour Android et iOS. Téléchargez l'application Dynasty, ouvrez un compte avec votre adresse courriel et connectez votre cheminée. Pour télécharger l'application, visitez :

dynastyfireplaces.com/download

Pour plus d'informations sur la configuration WiFi, et la connexion à un assistant vocal, visitez : support.dynastyfireplaces.com.

CONFIGURATION WIFI

NOTE : le contrôle et le fonctionnement en WiFi de l'appareil ne peuvent être effectués qu'après avoir créé un compte et avoir connecté l'appareil à ce compte.

1. Télécharger l'application Dynasty et suivre les instructions à l'écran pour créer un compte. Seule une adresse courriel active est requise pour la création de votre compte.



2. Lorsque l'appareil est en mode veille (flamme et chauffage éteints, branché à l'alimentation), appuyer et maintenir le bouton Chauffage enfoncé pendant 5 secondes jusqu'à ce que l'appareil émette un bip.



3. S'assurer que le voyant WiFi clignote, puis revenir à l'application pour terminer la configuration et relier l'appareil à votre compte.

Pour plus d'informations sur la configuration WiFi, et la connexion à un assistant vocal, visitez : support.dynastyfireplaces.com.

3. TÉLÉCOMMANDE



BOUTON	PRINCIPALE FONCTION	DESCRIPTION
	Allumer / Eteindre le foyer	Appuyer pour allumer ou éteindre l'appareil. Ce bouton allume ou éteint uniquement les LED de flamme et de lit de flamme.
	Basculer entre Celsius et Fahrenheit	Appuyer pour changer les unités de température affichées entre Celsius et Fahrenheit
	Régler le chauffage et la température d'affichage	Appuyer sur les flèches pour régler la température prédéfinie. °C règle sur : 16-19-21-23-25-27-30 °F règle sur : 61-66-70-73-77-80-86
	Activer / Désactiver les LED des flammes	Appuyer pour allumer ou éteindre les LED de flammes uniquement
	Allumer / Eteindre la lumière du lit de flamme	Appuyer pour faire défiler les différentes couleurs ou allumer / éteindre les LED du lit de flamme uniquement
	Activer / Désactiver la lumière supérieures	Appuyer pour faire défiler les différentes couleurs ou allumer / éteindre les LED supérieures uniquement
	Ajuster l'intensité des flammes rouges, jaunes et bleues	Appuyer sur chaque bouton de couleur de flamme pour parcourir les 3 niveaux de luminosité différents et éteindre <ul style="list-style-type: none"> • R1, R2, R3 indique les intensités de la lumière rouge • Y1, Y2, Y3 indique les intensités de la lumière jaune • B1, B2, B3 indique les intensités de la lumière bleue
	Basculer le chauffage Intense / Modéré / Marche / Arrêt	<ul style="list-style-type: none"> • Chauffage Intense : appuyer sur le bouton jusqu'à ce que l'indicateur de chaleur élevée (↑↑↑) s'affiche sur la télécommande • Chauffage Modéré : appuyer sur le bouton jusqu'à ce que l'indicateur de chaleur modérée (↑↑) s'affiche sur la télécommande • Pour éteindre le chauffage, appuyer sur le bouton jusqu'à ce que les voyants de chauffage intense et modéré soient tous deux éteints sur la télécommande
	Régler la minuterie de l'appareil par paliers d'une heure	Appuyer sur le bouton pour régler l'appareil pour qu'il s'éteigne dans : 30min-1h-2h-3h-4h-5h-6h-7h-8h-9h-00 L'écran LCD indique 30-1H-2H-3H-4H-5H-6H-7H-8H-9H-00
	Enregistrer les préférences de réglage des lumières de flamme	Appuyer et maintenir pendant 3 secondes pour enregistrer 1 réglage des LED de flamme

UTILISATION



TOUJOURS ÉTEINDRE l'appareil de chauffage et **débrancher le cordon d'alimentation de la prise murale** avant de le nettoyer, de faire des réparations ou de le déplacer. Le non-respect de ces instructions pourrait provoquer une **décharge électrique**, un **incendie** ou des **blessures corporelles**.

Nettoyage



Ne **JAMAIS immerger l'appareil dans l'eau**, ou **vaporiser de l'eau dessus**. Cela pourrait provoquer une **décharge électrique**, un **incendie** ou des **blessures corporelles**.

Surface Métallique :

- Polir doucement en utilisant un chiffon doux, légèrement imbibé d'un produit nettoyant doux.
- **NE PAS** utiliser de produits de polissage à base de laiton ou de nettoyeurs ménagers, cela risquerait d'endommager le revêtement métallique.

Panneau de Verre :

- Utiliser un produit nettoyant à vitres de bonne et sécher complètement avec une serviette en papier ou un chiffon non pelucheux.
- Ne **JAMAIS** utiliser de nettoyeurs abrasifs, vaporisateurs liquide, ou tout autre nettoyant qui pourrait rayer la surface.

Plastique :

- Essuyez doucement avec un chiffon légèrement humide, une solution nettoyante douce et de l'eau tiède.
- Ne **JAMAIS** utiliser de nettoyeurs abrasifs, vaporisateurs liquide, ou tout autre nettoyant qui pourrait rayer la surface.

Conduits d'Évacuation :

- Utilisez un aspirateur pour enlever la saleté et la poussière sur l'appareil et les conduits d'évacuation.
- Nettoyez les surfaces extérieures de l'appareil à l'aide d'un chiffon légèrement humide ou d'un plumeau.

Entretien et Maintenance



Risque de décharge électrique ! **NE PAS OUVRIR !** Aucune pièce réparable par l'utilisateur à l'intérieur !



TOUJOURS ÉTEINDRE l'appareil de chauffage et **débrancher le cordon d'alimentation de la prise murale** avant de le nettoyer, de faire des réparations ou de le déplacer. Le non-respect de ces instructions pourrait provoquer une **décharge électrique**, un **incendie** ou des **blessures corporelles**.

Pièces Électriques et Parties Mobiles :

- Les moteurs du ventilateur ont été lubrifiés en usine et ne nécessitent pas de lubrification supplémentaire.
- Les composants électriques sont intégrés à l'appareil et ne peuvent pas être réparés par l'utilisateur lui-même.

Rangement :

- Rangez l'appareil dans un endroit propre et sec lorsqu'il n'est pas utilisé.

Pièces de Rechange :

- Utiliser uniquement les pièces de rechange fournies par le fabricant. L'utilisation de toute autre pièce, ou toute autre modification de votre appareil annulera toutes les garanties.
- Si vous avez acheté votre appareil chez l'un de nos revendeurs/détaillants, veuillez les contacter pour commander des pièces de rechange ou nous contacter à l'adresse courriel suivante : support@dynastyfireplace.com

Pour obtenir des instructions complètes et détaillées, ainsi qu'un guide étape par étape pour réparer et entretenir votre cheminée, y compris le remplacement de pièces telles que les lumières LED, le moteur, le chauffage, etc., veuillez consulter la rubrique Assistance de notre site Web à l'adresse suivante :

support.dynastyfireplace.com

GARANTIE

Ce produit est inspecté, testé et soigneusement emballé pour minimiser les risques de dommages pendant l'expédition. Si une pièce s'avère défectueuse, que ce soit au niveau du matériau ou dans sa fabrication, dans les 24 mois à compter de la date d'achat, dans des conditions normales d'utilisation, elle sera réparée ou remplacée. L'obligation de Dynasty Fireplaces en vertu de la garantie est de remplacer ou de réparer les pièces défectueuses à notre discrétion. Tous les frais ou dommages résultant de l'installation, du retrait ou du transport du produit seront à la charge du propriétaire et ne seront pas couverts par cette garantie. Le propriétaire assume tous les autres risques résultant de l'usage ou de la mauvaise utilisation du produit. La garantie ne sera pas valide si le dommage ou la défaillance du produit est considéré par Dynasty comme étant causé par un accident, une altération, une mauvaise utilisation, un abus, une installation ou un retrait incorrect, ou une connexion à une source d'alimentation incorrecte, de la part du propriétaire. Dynasty Fireplaces n'assume, ni n'autorise aucune personne ou entité à assumer pour elle les responsabilités ou obligations associées à ses produits.

Dynasty Fireplaces



10-3071 No. 5 Road
Richmond, BC Canada
V6X 2T4

Téléphone : (604) 821-1009

Numéro Gratuit : 1-877-521-1009

Site Web : dynastyfireplaces.com

Assistance : support@dynastyfireplaces.com

Lien Assistance : support.dynastyfireplaces.com