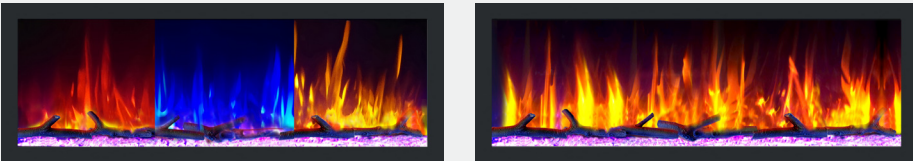


Cascade Series BTX42 • Dynasty Fireplaces



- 
 - Overheat protection & auto shut-off
 - Certified to strict building codes
- 
 - Efficient front facing heater
 - High/low & timer heater setting
- 
 - Enjoy flames without heat
 - Controllable flame intensity
- 
 - Easy direct push-in installation
 - Serviceable from front of unit
- 
 - No harmful fumes emitted
 - No venting required
- 
 - Energy efficient LED lighting
 - Voice-assistant compatible

Flame Options



Controllable Red, Blue, and Yellow intensities, with color mixing capability

Trim Options



Black trim included, optional silver trim for purchase

Ideal For

- Residential
- Condos & Highrises
- New construction
- Renovations
- Restaurants & Lounges
- Zone Heating

Media Options

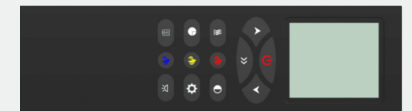


Crystal and Log sets included

App Control



Remote Control



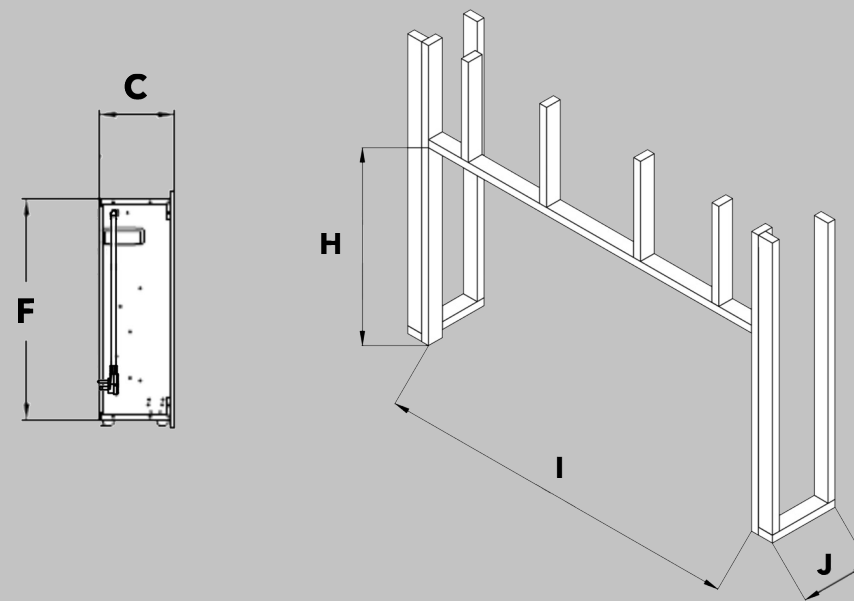
Multifunctional remote included

Cascade Series BTX42 • Dynasty Fireplaces

Product Dimensions



Framing



Model	A	B	C	D	E	F	G	H	I	J
DY-BTX42	1079 42½	515 20¼	165 6½	947 37¼	381 15	480 18⅞	957 37¾	495 19½	1232 38¾	153 6

Dimensions: **Millimeters** **Inches**

Product Details

voltage	120 V	heater timer	0.5h - 9h	flame only	20 W	BTU	5000 (high heat)	heating area	400 sq ft
amps	12 A	temperature	16°C-28°C / 60°F-82°F	outlet	standard (type B)	viewing area	37¼" W x 15" H	remote	included
power	1500 W	cord length	2m / 70"	certification	CSA	protocol	WiFi	app	Android / iOS

For more information visit dynastyfireplaces.com

Dynasty Fireplaces
10-3071 No. 5 Road
Richmond BC, Canada
V6X 2T4



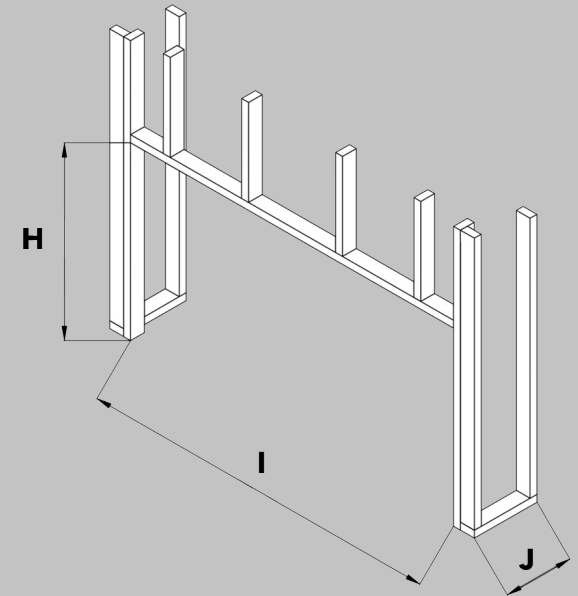
Specifications and dimensions subject to change, please visit our website for the most up-to-date information. Check with your local building code before installation.

Cascade Series BTX52 • Dynasty Fireplaces

Product Dimensions



Framing



Model	A	B	C	D	E	F	G	H	I	J
DY-BTX52	1333 52½	515 20¼	165 6½	1203 47¾	381 15	480 18⅞	1213 47¾	495 19½	1232 48¾	153 6

Dimensions: **Millimeters** **Inches**

Product Details

voltage	120 V	heater timer	0.5h - 9h	flame only	25 W	BTU	5000 (high heat)	heating area	400 sq ft
amps	12 A	temperature	16°C-28°C / 60°F-82°F	outlet	standard (type B)	viewing area	47¾" W x 15" H	remote	included
power	1500 W	cord length	2m / 70"	certification	CSA	protocol	WiFi	app	Android / iOS

For more information visit dynastyfireplaces.com

Dynasty Fireplaces
10-3071 No. 5 Road
Richmond BC, Canada
V6X 2T4



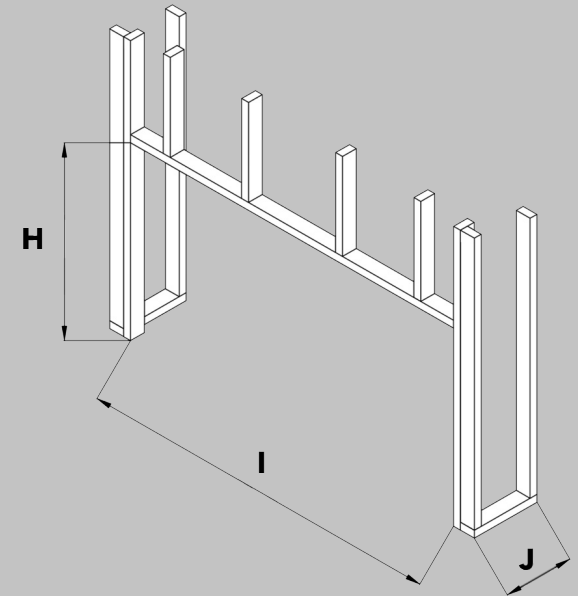
Specifications and dimensions subject to change, please visit our website for the most up-to-date information. Check with your local building code before installation.

Cascade Series BTX64 • Dynasty Fireplaces

Product Dimensions



Framing



Model	A	B	C	D	E	F	G	H	I	J
DY-BTX64	1638 64½	515 20¼	165 6½	1506 59¾	381 15	480 18⅞	1213 59¾	495 19½	1232 60¾	153 6

Dimensions: **Millimeters** **Inches**

Product Details

voltage	120 V	heater timer	0.5h - 9h	flame only	30 W	BTU	5000 (high heat)	heating area	400 sq ft
amps	12 A	temperature	16°C-28°C / 60°F-82°F	outlet	standard (type B)	viewing area	59¾" W x 15" H	remote	included
power	1500 W	cord length	2m / 70"	certification	CSA	protocol	WiFi	app	Android / iOS

For more information visit dynastyfireplaces.com

Dynasty Fireplaces
10-3071 No. 5 Road
Richmond BC, Canada
V6X 2T4



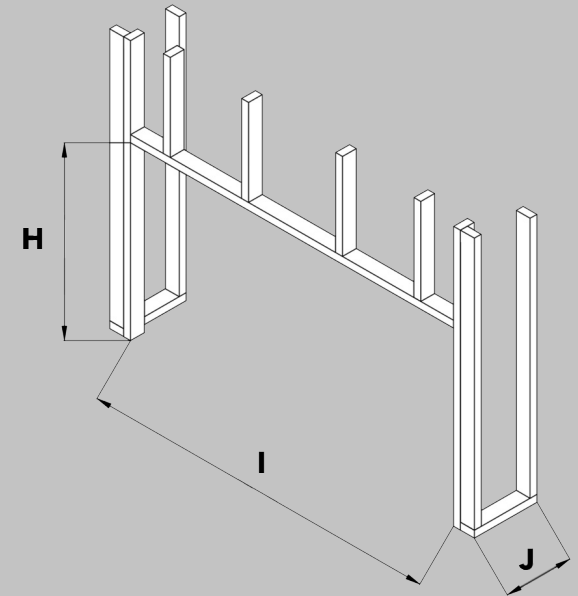
Specifications and dimensions subject to change, please visit our website for the most up-to-date information. Check with your local building code before installation.

Cascade Series BTX74 • Dynasty Fireplaces

Product Dimensions



Framing



Model	A	B	C	D	E	F	G	H	I	J
DY-BTX74	1892 74½	515 20¼	165 6½	1760 69¾	381 15	480 18⅞	1770 69¾	495 19½	1795 70¾	153 6

Dimensions: **Millimeters** **Inches**

Product Details

voltage	120 V	heater timer	0.5h - 9h	flame only	35 W	BTU	5000 (high heat)	heating area	400 sq ft
amps	12 A	temperature	16°C-28°C / 60°F-82°F	outlet	standard (type B)	viewing area	69¾" W x 15" H	remote	included
power	1500 W	cord length	2m / 70"	certification	CSA	protocol	WiFi	app	Android / iOS

For more information visit dynastyfireplaces.com

Dynasty Fireplaces
10-3071 No. 5 Road
Richmond BC, Canada
V6X 2T4



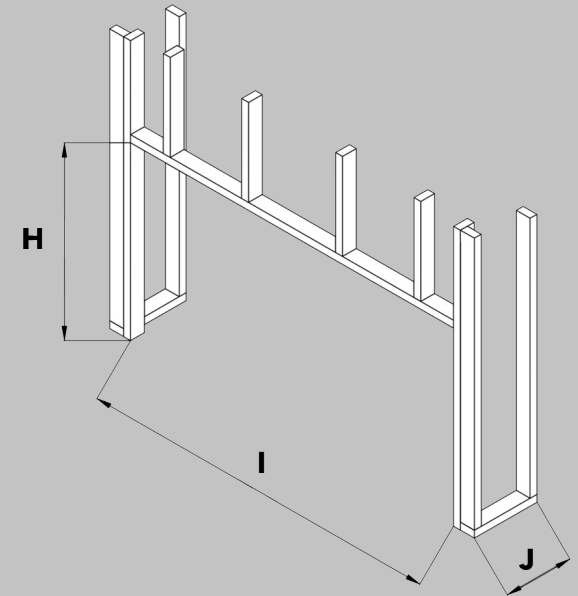
Specifications and dimensions subject to change, please visit our website for the most up-to-date information. Check with your local building code before installation.

Cascade Series BTX82 • Dynasty Fireplaces

Product Dimensions



Framing



Model	A	B	C	D	E	F	G	H	I	J
DY-BTX82	2095 82½	515 20¼	165 6½	1963 77¾	381 15	480 18⅞	1973 77¾	495 19½	1998 78½	153 6

Dimensions: **Millimeters** **Inches**

Product Details

voltage	120 V	heater timer	0.5h - 9h	flame only	40 W	BTU	5000 (high heat)	heating area	400 sq ft
amps	12 A	temperature	16°C-28°C / 60°F-82°F	outlet	standard (type B)	viewing area	77¾" W x 15" H	remote	included
power	1500 W	cord length	2m / 70"	certification	CSA	protocol	WiFi	app	Android / iOS

For more information visit dynastyfireplaces.com

Dynasty Fireplaces
10-3071 No. 5 Road
Richmond BC, Canada
V6X 2T4



Specifications and dimensions subject to change, please visit our website for the most up-to-date information. Check with your local building code before installation.