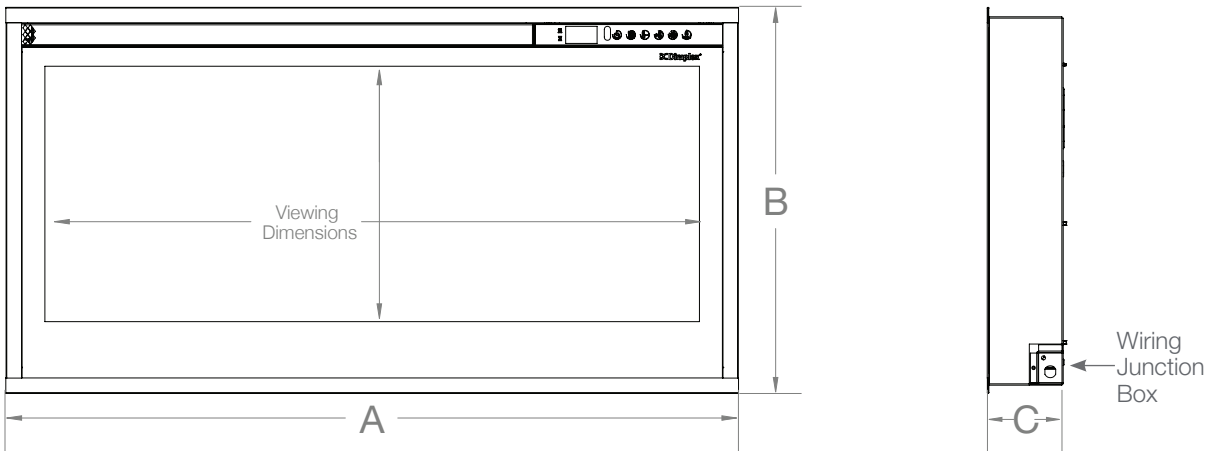


Multi-Fire[®] SL

36" Slim Linear Electric Fireplace

PLF3614-XS

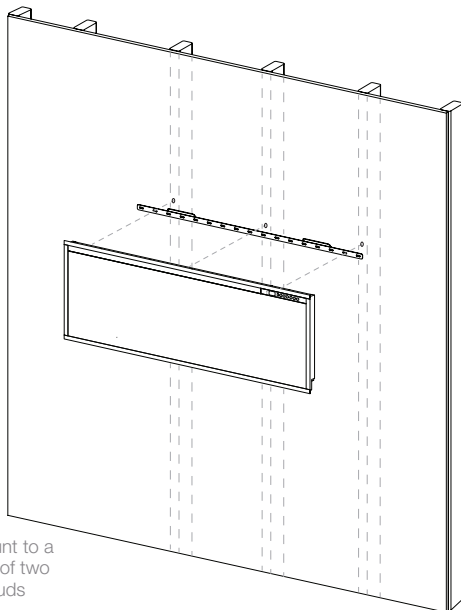
Product Dimensions:



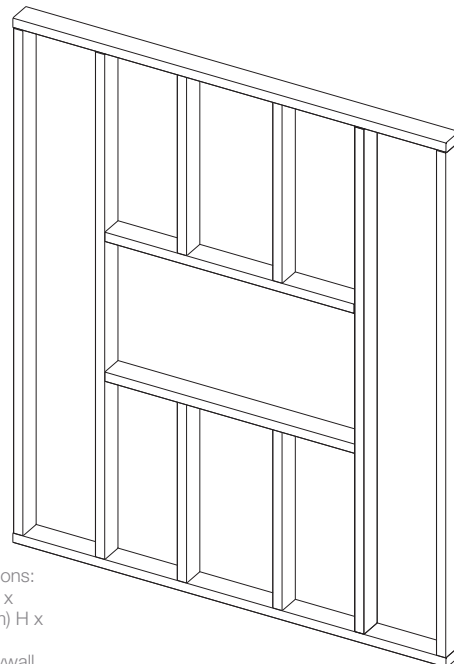
Product	A WIDTH (in/cm)	B HEIGHT (in/cm)	C DEPTH (in/cm)	VIEWING DIMENSION - WxH (in/cm)
PLF3614-XS	37-1/4 (94.6)	19-5/8 (49.7)	3-7/8 (9.8)	33-1/4 x 12-5/8 (84.5 x 32.2)

Framing:

Installation - 2 Mounting Options



Must mount to a minimum of two (2) wall studs



2 x 4 Framing
Framing dimensions:
37" (94.0 cm) W x
19-1/8" (48.6 cm) H x
4" (10.2 cm) D
*Includes 1/2 drywall

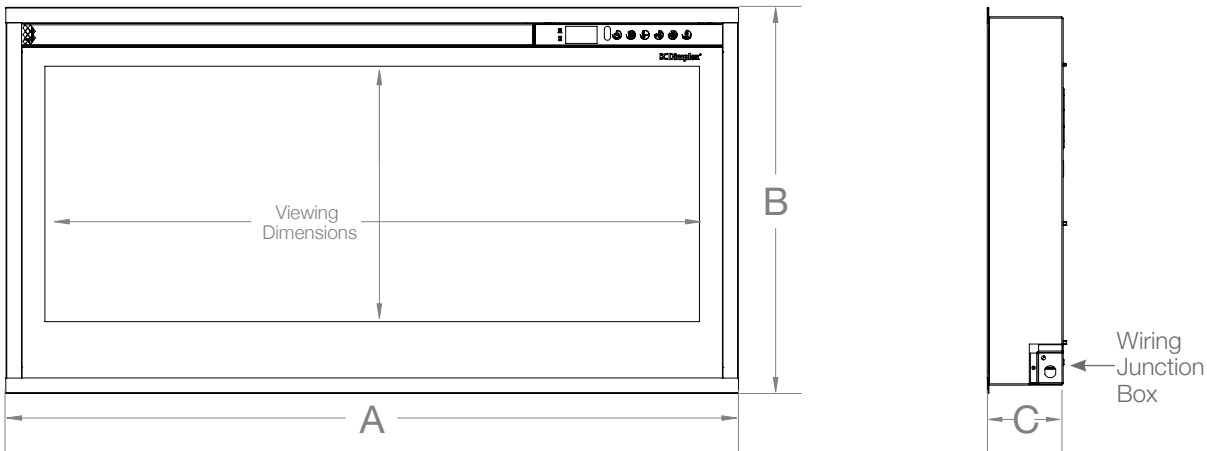
NOTE:
The Firebox is not load bearing. Do not stack weight of the frame on top of the firebox.
It is recommended that the bottom of the unit be mounted between 20 in. (50 cm) and 40 in. (100 cm) from the ground to maintain an optimized viewing angle of the flame.

Multi-Fire[®] SL

42" Slim Linear Electric Fireplace

PLF4214-XS

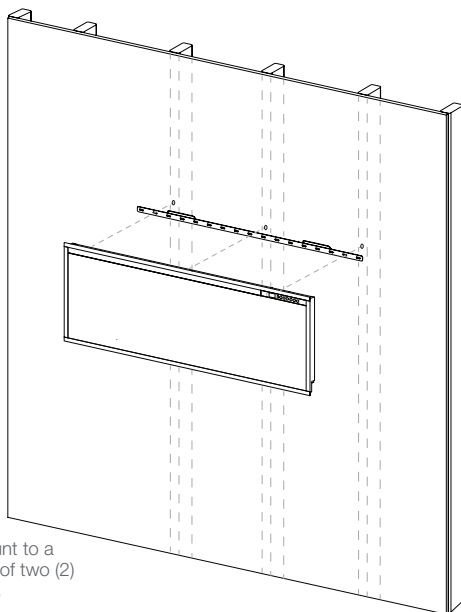
Product Dimensions:



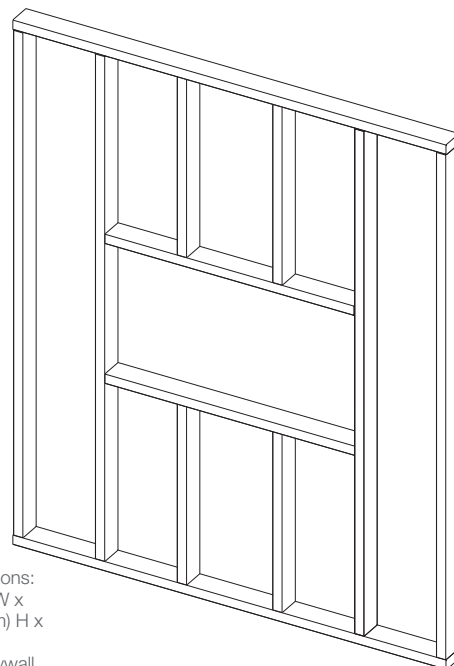
Product	A WIDTH (in/cm)	B HEIGHT (in/cm)	C DEPTH (in/cm)	VIEWING DIMENSION - WxH (in/cm)
PLF4214-XS	43-1/4 (109.9)	19-5/8 (49.7)	3-7/8 (9.8)	39-1/4 x 12-5/8 (99.7 x 32.2)

Framing:

Installation - 2 Mounting Options



Must mount to a minimum of two (2) wall studs



2 x 4 Framing
Framing dimensions:
43" (109.2 cm) W x
19-1/8" (48.6 cm) H x
4" (10.2 cm) D
*Includes 1/2 drywall

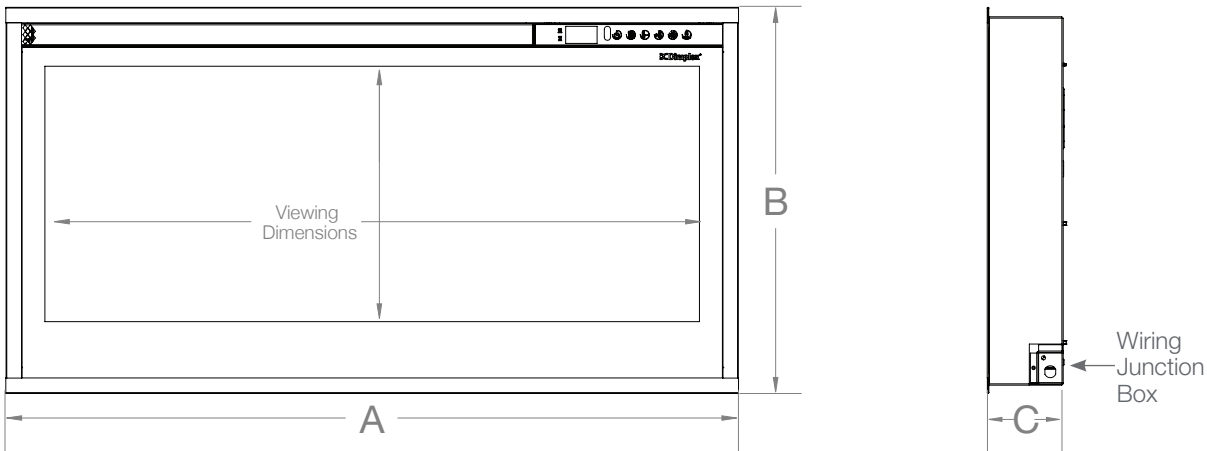
NOTE:
The Firebox is not load bearing. Do not stack weight of the frame on top of the firebox.
It is recommended that the bottom of the unit be mounted between 20 in. (50 cm) and 40 in. (100 cm) from the ground to maintain an optimized viewing angle of the flame.

Multi-Fire[®] SL

50" Slim Linear Electric Fireplace

PLF5014-XS

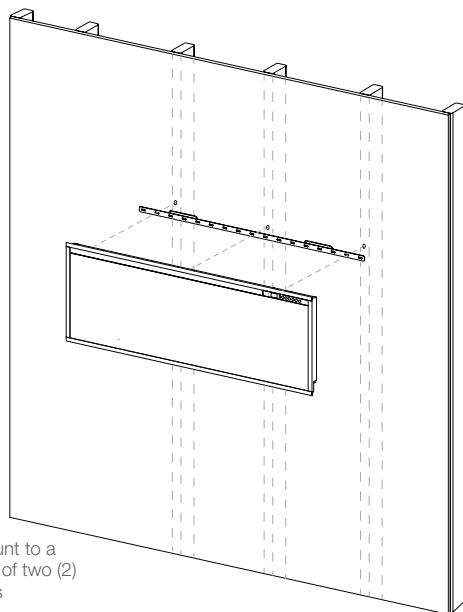
Product Dimensions:



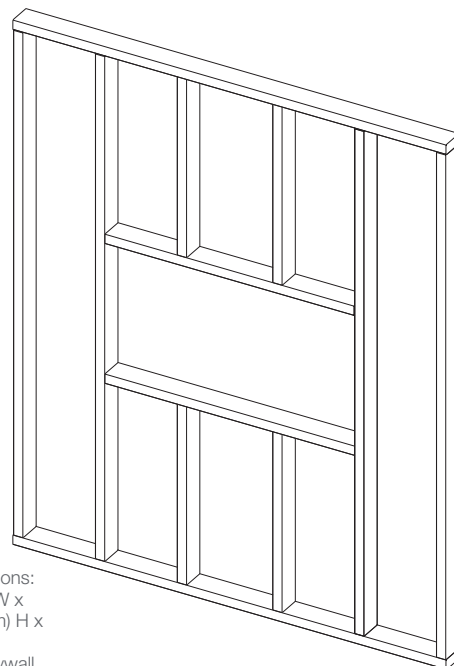
Product	A WIDTH (in/cm)	B HEIGHT (in/cm)	C DEPTH (in/cm)	VIEWING DIMENSION - WxH (in/cm)
PLF5014-XS	51-1/4 (130.2)	19-5/8 (49.7)	3-7/8 (9.8)	47-1/4 x 12-5/8 (120.1 x 32.2)

Framing:

Installation - 2 Mounting Options



Must mount to a minimum of two (2) wall studs



2 x 4 Framing
Framing dimensions:
51" (129.5 cm) W x
19-1/8" (48.6 cm) H x
4" (10.2 cm) D
*Includes 1/2 drywall

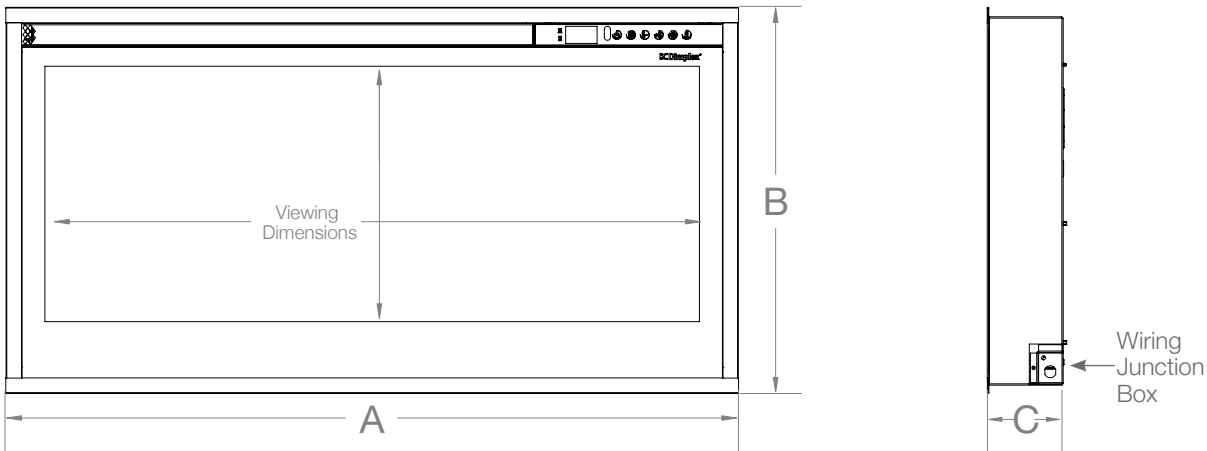
NOTE:
The Firebox is not load bearing. Do not stack weight of the frame on top of the firebox.
It is recommended that the bottom of the unit be mounted between 20 in. (50 cm) and 40 in. (100 cm) from the ground to maintain an optimized viewing angle of the flame.

Multi-Fire[®] SL

60" Slim Linear Electric Fireplace

PLF6014-XS

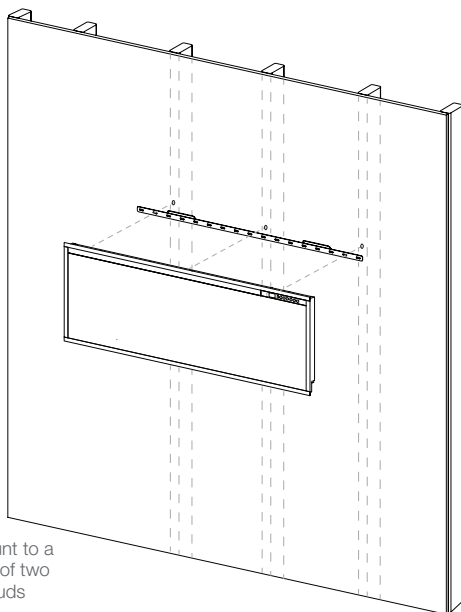
Product Dimensions:



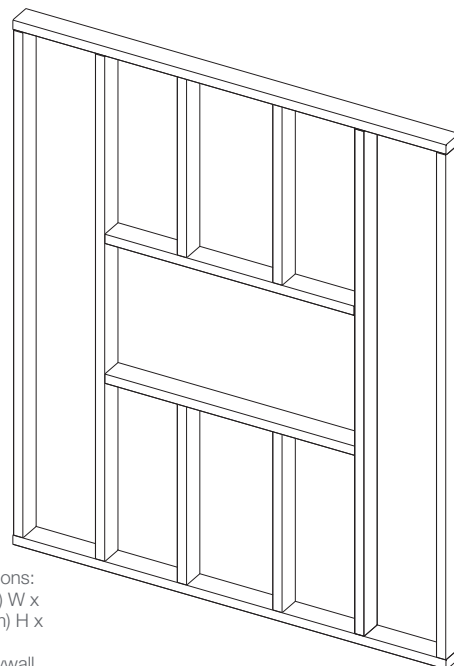
Product	A WIDTH (in/cm)	B HEIGHT (in/cm)	C DEPTH (in/cm)	VIEWING DIMENSION - WxH (in/cm)
PLF6014-XS	61-1/4 (155.6)	19-4/8 (49.8)	3-7/8 (9.8)	57-1/4 x 12-5/8 (145.5 x 32.2)

Framing:

Installation - 2 Mounting Options



Must mount to a minimum of two (2) wall studs



2 x 4 Framing
Framing dimensions:
61" (154.9.0 cm) W x
19-1/8" (48.6 cm) H x
4" (10.2 cm) D
*Includes 1/2 drywall

NOTE:
The Firebox is not load bearing. Do not stack weight of the frame on top of the firebox.
It is recommended that the bottom of the unit be mounted between 20 in. (50 cm) and 40 in. (100 cm) from the ground to maintain an optimized viewing angle of the flame.