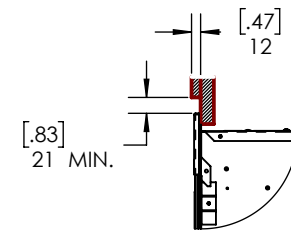
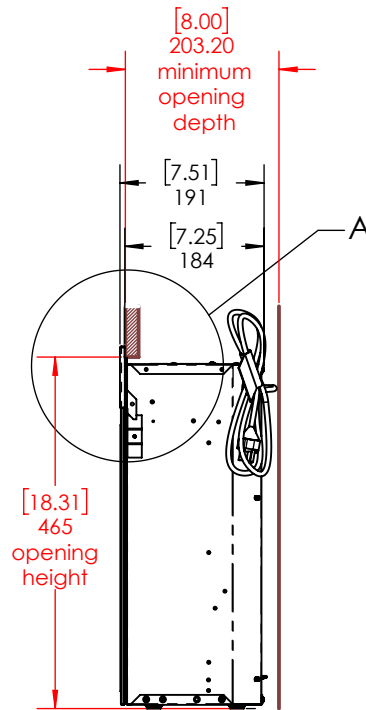
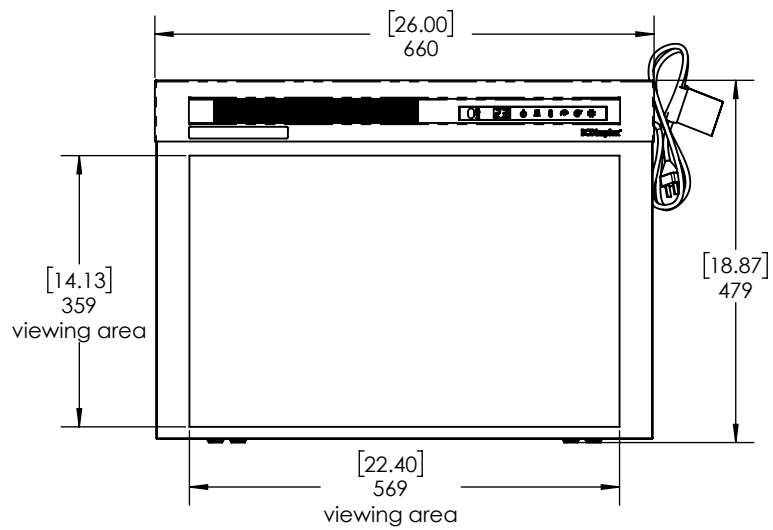
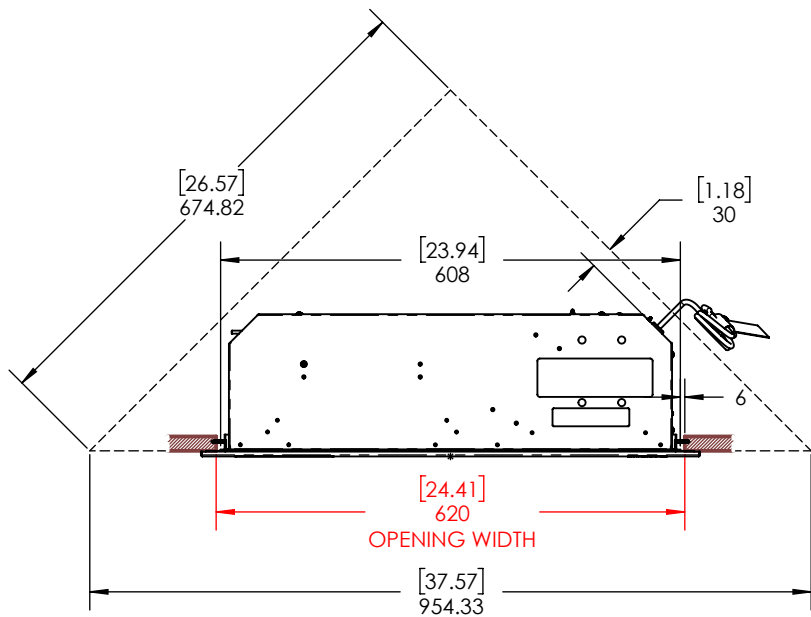


DETAIL A

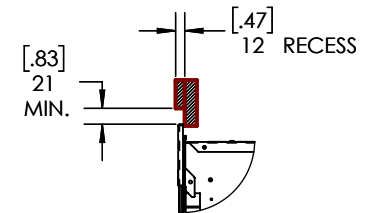
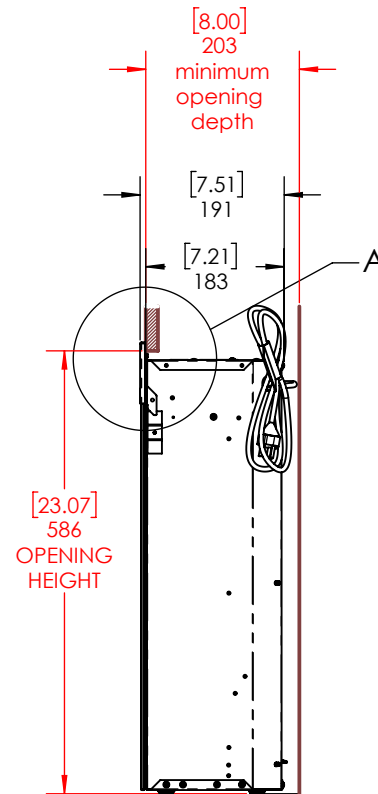
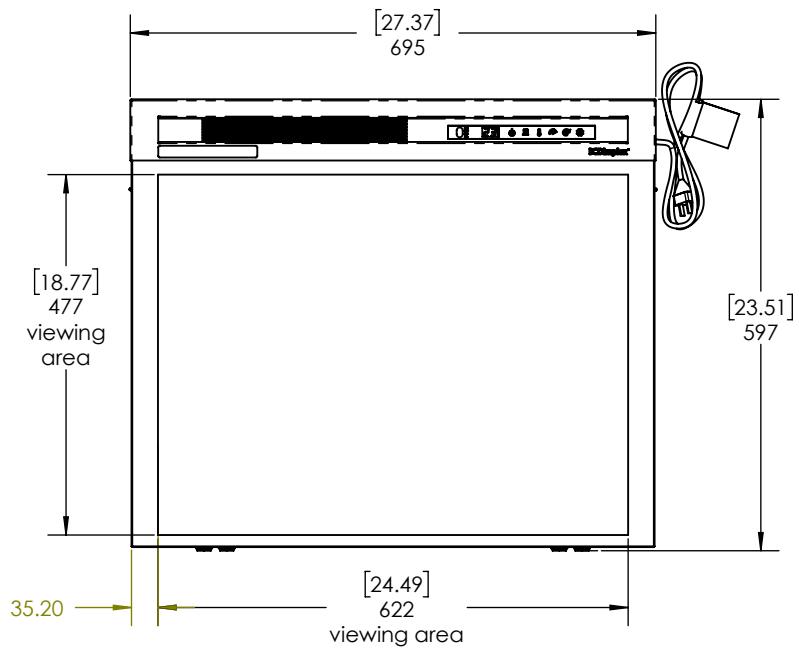
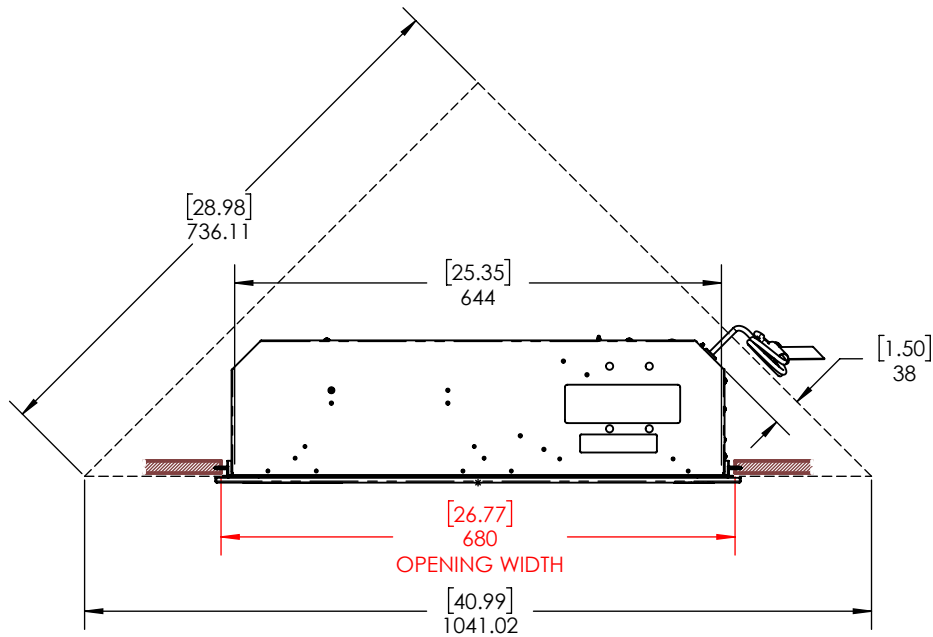
FOR RECESSED OR
SURROUND TRIM
INSTALLATION

Dimplex North America Ltd.		
SIZE A	CAT. NO. XHD23G/L	REV. 03
SCALE: 1:10	WEIGHT:	SHEET 1 OF 1



DETAIL A
FOR RECESSED OR
SURROUND TRIM
INSTALLATION

Dimplex North America Ltd.			
SIZE A	CAT. NO. XHD26G/L	REV. 03	
SCALE: 1:10	WEIGHT:		SHEET 1 OF 1



DETAIL A
FOR RECESSED OR
SURROUND TRIM
INSTALLATION

Dimplex North America Ltd.			
SIZE A	CAT. NO. XHD28L (6909970xxx)	REV. 03	
SCALE: 1:10	WEIGHT:		SHEET 1 OF 1