

INDOOR/OUTDOOR INFRARED HEATER

The Dimplex DIR series heaters are perfect for homeowners, business owners, landlords, designers or builders looking to enhance an outdoor entertaining space with a premium comfort product that is complimentary to modern design.

BENEFITS

- IP65 rating for indoor and outdoor applications
- Nextrema Schott glass ensures even heat distribution and minimizes light emissions
- 3 temperature settings - 1000W [low], 2000W [med], 3000W[high]
- 1, 2 and 3 hour delay timer
- 8 hour auto shutoff safety mechanism
- 6 second maximum heat up time
- Corrosion resistant anodized aluminum and 304 stainless steel makes this product suitable for all climates
- Programmable timer and remote control for ease of operation
- 240V hard-wired installation provides up to 3000 (3 kw) of powerful heating
- Each heater comes with the element(s) pre-installed, which eases in installation and reduces the risk of damaged, broken or misplaced elements upon delivery



APPLICATIONS

Patios | Balconies | Outdoor Living Spaces | Sunroom | Gazebos | Common Areas

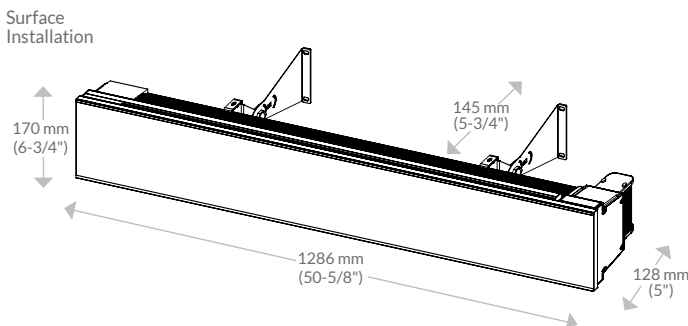
SPECIFICATIONS

Voltage	240V
Wattage	1000 - 3000
Color	Stainless Steel
Finish	Glass - Nextrema Schott
Heating Element	Ruby halogen heating element(s)
Construction	Stainless Steel (304)
Controls & Wiring	Hardwire installation only. Unit has an auto shut off feature after 8 hours of operation
Installation	Surface-mount brackets included for wall
Warranty	1-year replacement parts

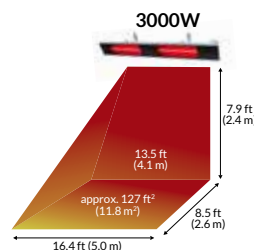
ORDERING GUIDE

Cat. No.	Installation	Watts	Volts	Weight (kg/lbs.)
DIR30A10GR	Wall-mounting only	3000	240	8.4 / 18.4

DIMENSIONS (DIR30A10GR)



Indoor heating area wall-mounted



Outdoor heating area wall-mounted

