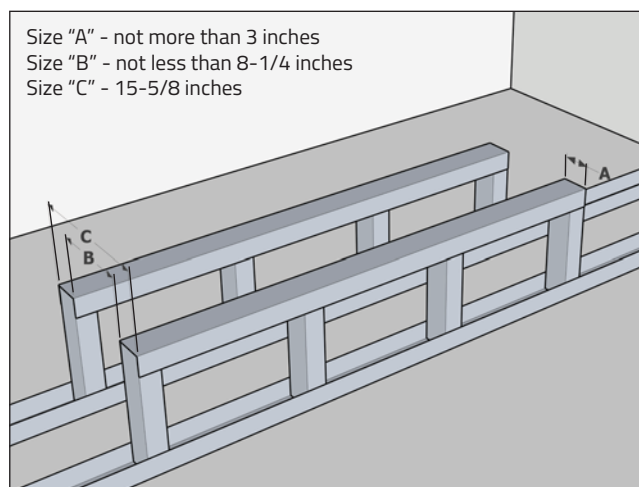
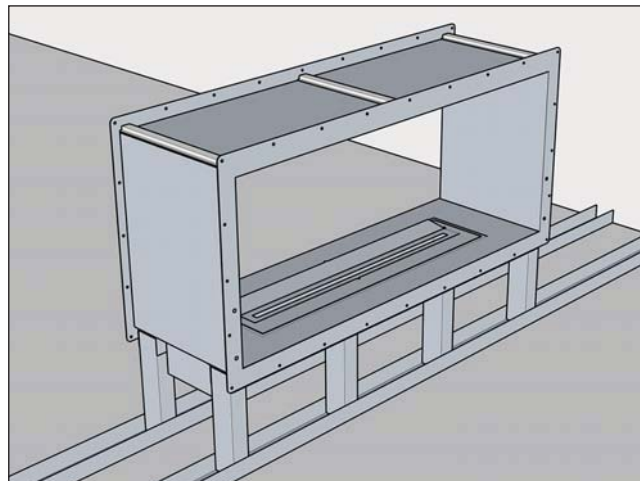


Installation Instructions

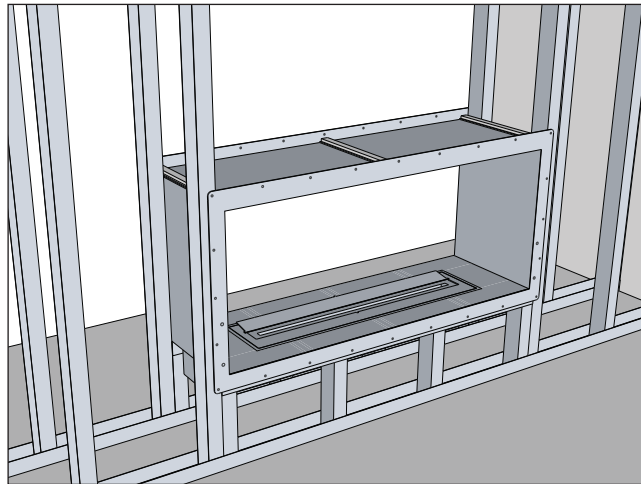
1. Build a base for the Firebox to sit on. (use 2x3 studs)
2. Base may be built of any material.
3. Make sure base is level on all sides.



4. Insert your Firebox into the base.
5. Make sure the Firebox is centered.



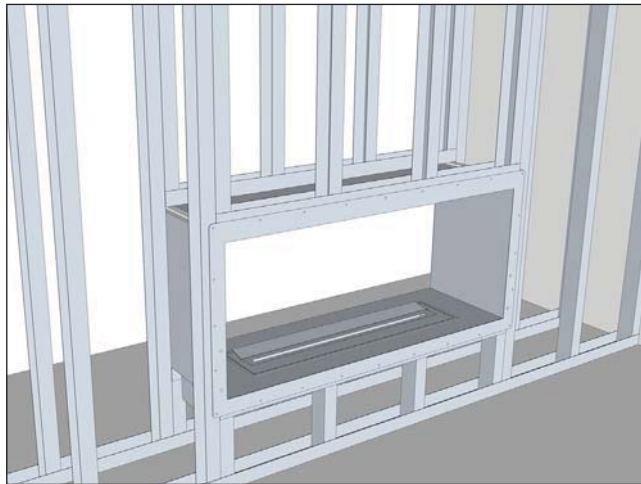
6. Continue building the wall.
7. First stud on either side of the Firebox must be flush with the Firebox and flange.



8. Install a stud horizontally on top of the firebox to be able to continue with the wall.
9. Screw the top horizontal stud directly to the Firebox bracket. (use 0.5 inch metal zip)



10. Continue building the wall.
11. Support the Firebox with screws around the flange into the studs.



12. Measure and mark placement of glass brackets.
13. Cover the Firebox with sheetrock, wonderboard, stone, etc...
14. Drill in finish materials for glass installation.

