

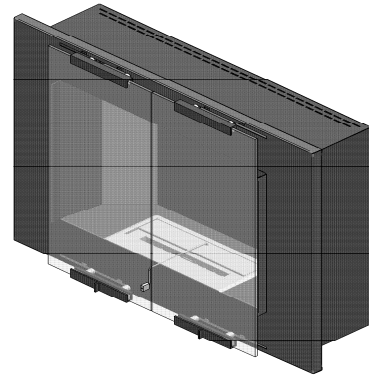


925, 3^e rang est, Ste-Cecile-de-Milton (Quebec) J0E 2C0
Tel. : (450) 776-3548 Fax : (450) 361-6929
www.decoflame.ca

INSTRUCTION MANUAL FOR WALL MOUNTED FIREPLACE, MODEL: CITY 106A

CONTENTS :

- Safety instructionsp. 2
- Wall mounted fireplace installationp. 3
- Burner installationp. 3
- Burnerp. 3
- Combustible Fuel.....p. 4
- Instructionsp. 4
 - General rules
 - Filling
 - Lighting
 - Extinguishing
 - While using
- Cleaning the burnerp. 5
- Cleaning the fireplacep. 5
- Warranty.....p.6



Please note your model & serial numbers here:

Model number

Serial number

Purchase date

**Read carefully before using your fireplace.
Keep these instructions for future reference.**

SAFETY INSTRUCTIONS

Read and follow the below instructions before using this device.

- Not respecting the rules may cause serious injury (especially burns) for the user and others nearby, as well as becoming a fire hazard.
- The « **decoflame** » fireplace is for decorative purposes only, and not to be used as your main heat source.
- Keep children and pets away while operating the fireplace, especially while lighting it up.
- Caution! If your wall is covered with wallpaper, wood varnish or other flammable material, you must use a fire-proof backing on the wall.
- Any furniture, curtains or other flammable materials must be located at a safe and secure distance from the unit.
- Ensure that there is sufficient air circulation in the room.
- Never use an unvented decorative device in areas where flammable vapours or gases may be present.
- Fasten the device onto the wall according to the instructions.
- Do not cover the fireplace; do not place any material or clothing on the fireplace.
- Never light the combustible fuel in a burner that is not properly positioned.
- Only use « **decofuel** » combustible fuel in your fireplace.
- Never use any fuel other than the fuel specifically identified for use in an unvented decorative device.
- Never use gasoline, solvents, methylated or burning alcohol, thinner, ethanol gel, etc.
- The use of an ethanol gel is strictly prohibited since this will render your tank unusable.
- Do not combine any other fuel to the « **decofuel** » fuel.
- Do not smoke while handling the combustible fuel.
- Light the burner with the lighting rod. Holding the lighting rod away from you slightly soak the end of the rod in the « **decofuel** » fuel in order to use it as a lighting device. Light the rod with a lighter (view illustration in appendix).
- Do not use paper or newspaper to start the fire.
- Never add fuel if the fireplace is partially or fully in operation.
- Never refill the unvented decorative fireplace fuel reservoir when the unvented decorative fireplace is functioning or still hot. Wait at least 30 minutes after shut it off.
- Do not fill the fuel reservoir completely and use the adjustable pourer to do so. If the « **decofuel** » fuel spills out of the reservoir, wipe it with an absorbent paper before lighting.
- Continually monitor the device as soon as the fire is started.
- The steel elements of the fireplace can become very hot while the combustible fuel is burning. Never touch these elements while the fireplace is in operation, even several minutes after it is turned off.
- Do not move the fireplace while it is lit.
- Avoid drafts.
- This device was subjected to tests for its use with glass doors. To reduce fire hazard or injury, never remove the doors.
- Do not use additional parts or other products that are not designated for use with this fireplace.
- The combustible fuel is a highly flammable product.
- Never store or transport the fuel in anything other than a metal or plastic container that is acceptable for use with the specified fuel in accordance with the Consumer Chemicals and Containers Regulations 2001 and is the original container for the specified fuel.
- Never store fuel in the same location as the appliance.
- Due to the high temperature of the fireplace surfaces, keep children and pets at a safe distance.
- Do not use the unvented decorative fireplace to heat or boil water or use as a cooking appliance.
- Do not use in a room with oxygen tanks.

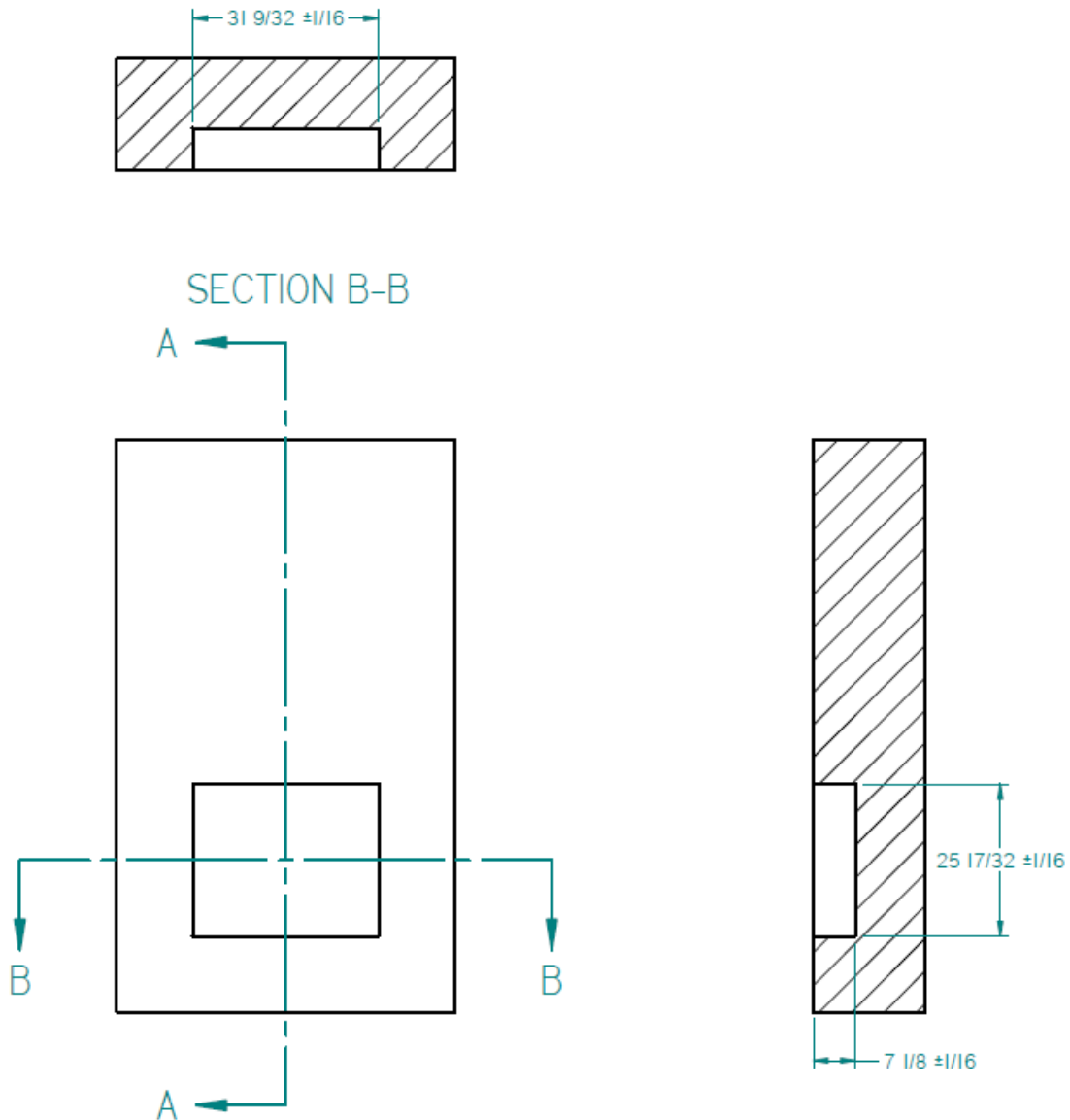
- Risk of Indoor Air Pollution – Use the unvented decorative fireplace only in a well-ventilated area and with doors of adjacent rooms open. Do not obstruct air flow to the fuel holder box by piling logs over the fuel reservoir or in any other way with any other material. People with breathing problems should consult a physician before using the unvented decorative fireplace.
- The following or equivalent information for provision of combustion and ventilating air for unvented decorative devices: "In a house of typical construction, that is, one that is not of unusually tight construction due to heavy insulation and tight seals against air infiltration, an adequate supply of air for combustion and ventilation is provided through infiltration." The unvented decorative appliance should not be used in a small room where less than 5.7 m³ (200 ft³) of air space is provided for each 1000 Btu per hour of the unvented decorative device rating (considering the maximum burner adjustment). Do not use the unvented decorative fireplace in a bathroom, a room where sleeping accommodation is provided or any other small room.
- Make sure that the shut off device works properly before lighting.

NOTE: I have removed the paragraph that was placed in between Do not use And Risk of Indoor Air Pollution.... ; it was a duplication of a paragraph on page 2.

INSTALLATION OF THE WALL MOUNTED FIREPLACE AND BURNER

- Model **CITY 106A** is wall-mounted.
- A horizontal support and two vertical supports are provided with the fireplace.
- Determine the location of your fireplace. It must be located at a minimum of 12" above the floor, at a minimum of 24" from the ceiling, and allow a clear distance of 12" from the right and left edge of the unit.
- To attach the hanging support, refer to the drawing for installation.
- Locate 2 wall studs (obligatory), that are at 16" center to center.
- Attach the horizontal support (no. 1) using a bubble level tool with 2 no.12 x 1 ½" wood screws (no.4).
- Hang the 2 vertical straps (no.2) on the hooks of the horizontal support (no.1) and ensure that they are square. Add brackets (no. 3) into the first rectangular hole at the bottom of each of the vertical straps, attach them with 4 no. 12 x 1 ½" wood screws (no.4). You will need two people to move the fireplace (no.5) into position, place it onto the hooks of the horizontal support (no.1) by matching up the hooks with the square holes at the back of the unit.
- Make sure that the fireplace is level.
- Attach the 2 vertical supports (no.3) at the base of the fireplace (no.5) with 2 self-tapping screws (no.6).
- Place the burner support (no.7) into the fireplace opening.
- Insert the reservoir (no.8) into the burner support (no.7).
- Place the damper (no.9) onto the top of the bio-ethanol reservoir (no.8).
- Using the designated holes install the window panes (no. 10) onto the front of the fireplace. Ensure that they open and close correctly.

INSTALLATION RECESSED NICHE



- Make sure to use fireproof material for the niche
- Make sure behind the back wall of the niche you have stud with a distance of 16 inches to screw in it

BURNER

- Filling capacity: our model has a capacity of 1 litre and a tank of 15% flood (.150 litre). Which gives 2.75 hours burning capacity when the damper is completely open. You can increase the length to 5 hours by reducing the flames' height by simply moving the damper forward. The burner elements are removable and must be installed in the fireplace according to the instructions before ignition. The fuel must be poured into the burner reservoir.

- If any spatters occur, make sure to clean them before lighting the fire.

COMBUSTIBLE FUEL

- Only use « **decofuel** » liquid fuel.
- **CAUTION:** DO NOT USE PAPER, NEWSPAPERS, STRAW, KINDLING WOOD OR ANY OTHER FLAMMABLE PRODUCT TO START THE FIRE.
- The combustible fuel is a highly flammable product. It should be kept away from any heat sources. Never place in direct sunlight. Do not store or carry fuel in a plastic or metal container that is not designated for this purpose. Never store fuel in the same location as the fireplace. Keep it in a safe place and keep it away from children.
- In case of ingestion, inhalation and/or contact with eyes or skin, urgently contact the poison control centre or consult a Doctor.

INSTRUCTIONS

Read and follow the instructions in their entirety before using the fireplace.

Never add fuel when the fireplace is functioning, wait until the reservoir and the fireplace have cooled (wait at least 15 minutes) before refilling.

GENERAL RULES :

- Only use the fireplace according to these instructions.
- Do not use the fireplace in a bathroom or any other small room.
- Minimum room limitations: 1 000 ft³.
- The fireplace must be used in a ventilated area.
- No flammable objects must be located near the fireplace.

FILLING :

- Fill the reservoir with the adjustable pouring spout (or funnel). Be careful not to exceed the level indicator (maximum of 1 Litre). Do not overflow or splash around the reservoir. If any spatters occur, clean them with a rag or a paper towel in order to absorb the excess. Do not throw this rag or paper towel in the garbage; let it dry and keep it away from the fire, children and pets, then dispose of it.
- Only use « **Decofuel** » fuel.

LIGHTING :

- The damper must be completely open.
- The fuel must be kept at room temperature before usage.
- Light the burner with the lighting rod. Slightly soak the end of the rod in the « **Decofuel** » fuel reservoir while keeping away from the burner. Light the rod with a lighter.
- Close the glass doors completely.
- The adjustment of the height of the flames is made by using the damper knob. Pull the knob towards the outside to obtain lower flames and push towards the inside to obtain higher flames.
- The flames will reach their maximum height within 15 to 30 minutes, depending on the combustible fuel temperature. During this period, a slight odour may appear. If necessary, air out the room for a few minutes.

- Let the fire burn until all of the fuel has been depleted. You can extinguish the fire at all times simply by completely closing the burner. If you have to relight the fireplace when the fuel is still hot, be very careful as the gas residue is likely to cause a large flame. Do not try to extinguish the flames with an object other than the designated damper.
- Keep children and pets away while operating the fireplace and especially while lighting it up. Never add fuel if the fireplace is in operation, wait until the burner and the fireplace have cooled before refilling.
- Do not touch the fireplace or the burner while it is in operation: serious burns may occur.

EXTINGUISHING :

- Keep the glass doors closed.
- Pull the damper completely closed.

WHILE USING :

- Constantly monitor the device as soon as the fire has been started.
- Have a class B fire extinction device nearby.
- In case of a burn, call the nearest hospital.
- Consult a Doctor if in doubt of any severe burn.
- Igniting the fireplace implies that you have carefully read and will follow these directions.

CLEANING THE BURNER

- When the contents of the burner have completely been consumed, wait until the burner has cooled before moving it. After each use, it is recommended to clean the burner using a sponge or rag and soapy water and then rinse with clear water. When the burner is dry, it can be refilled. If the burner is not cleaned after each use, odours may occur.
After several uses, the burner will turn light brown due to the heat. This can be removed by rubbing with the rough side of a sponge; always rub in the same direction as the grain.

CLEANING THE FIREPLACE

- All the fireplace elements can be cleaned in soapy water with a sponge or a rag, then rinsed with clear water.
- Make sure that the shut off device works properly before lighting.
- We guarantee the good performance of your fireplace with the use of « **DecoFuel** » combustible fuel only.

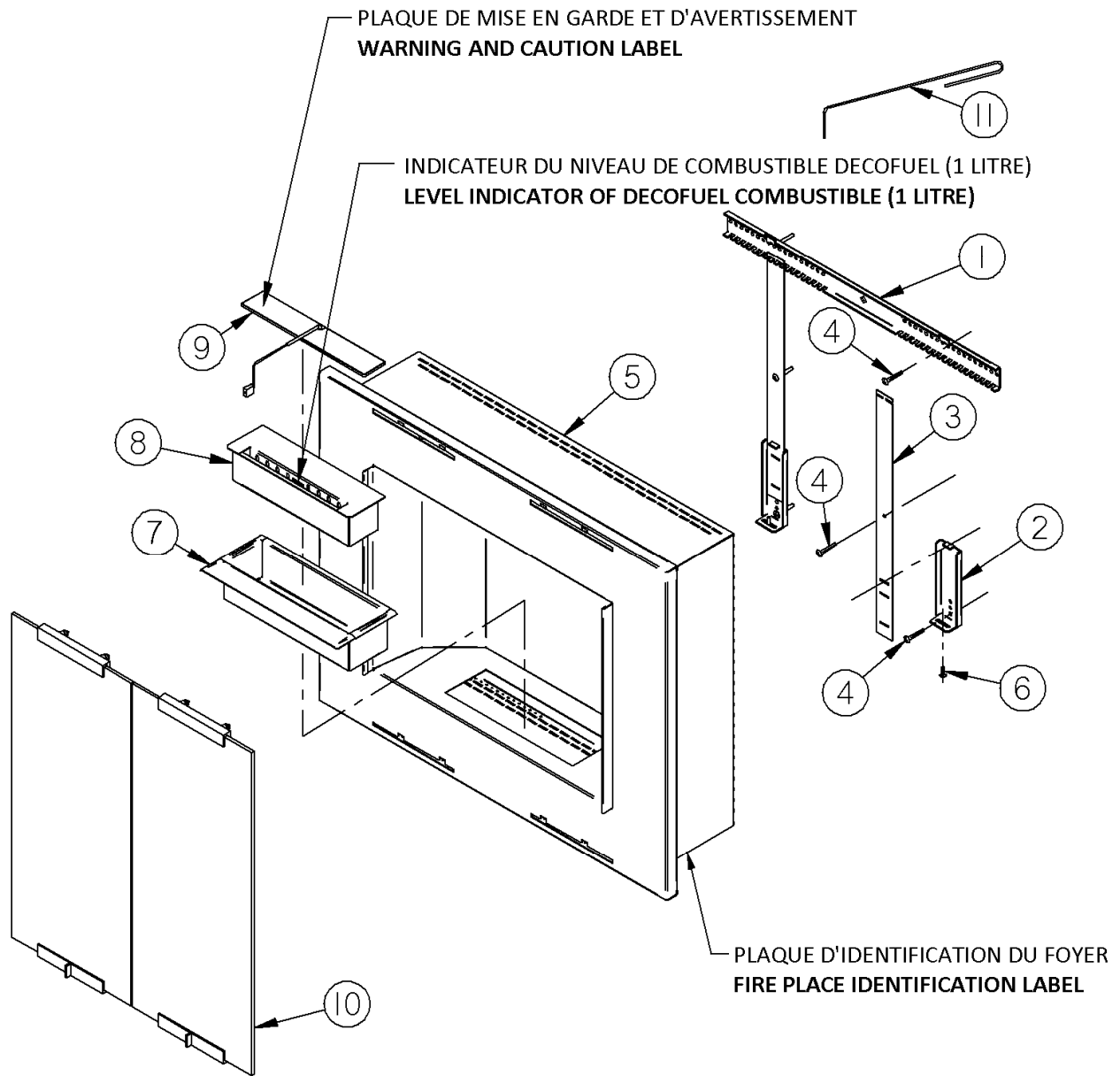
LIMITED WARRANTY

- **Decoflame** guarantees, to the original purchaser (retail sale), that this product is free of any defects in material or workmanship and commits to repairing or replacing (at **Decoflame**'s discretion) any defective product, free of charge, within 2 years from the date of purchase.
- A proof of purchase such as a dated sales receipt, sales slip, etc indicating the model and serial number will be required before any intervention from our dealers will be made on the guaranteed product. You are obligated to meet the delivery or shipping charges of the product in the event of guaranteed repairs, as well as the pick up or return of the product after repairs have been made.

We wish you the best of moments with your « Decoflame » fireplace...

Corrections on the image below: change the text:
Change the text : « FIRE PLACE » to « FIREPLACE ».
Change the #3 to a #2, the #2 to a #3.

INSTALLATION OF THE WALL MOUNTED FIREPLACE AND BURNER: CITY 106A



CITY 106A