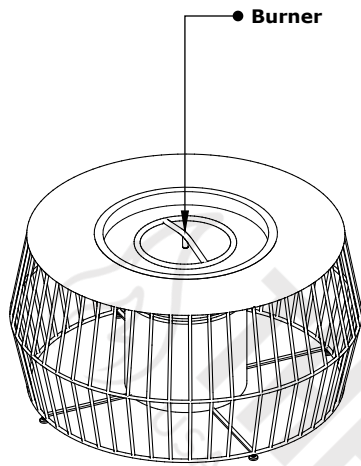
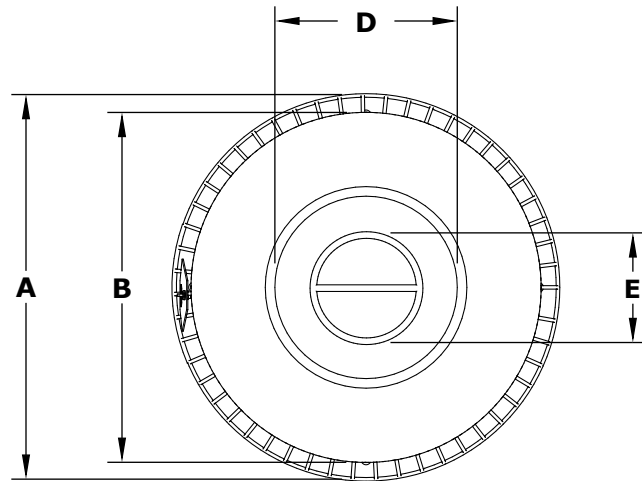


CESTO FIRE PIT

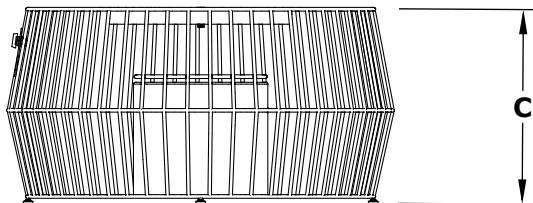
POWDER COAT



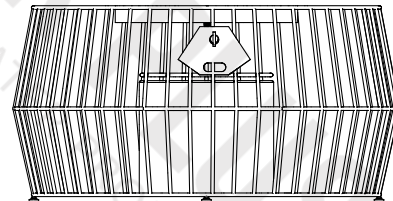
ISOMETRIC VIEW



TOP VIEW



RIGHT SIDE VIEW



FRONT SIDE VIEW

PART NUMBER	A	B	C	D	E	BTU
OPT-CSTO48	48"	36"	24"	19"	12"	65,000
OPT-CSTO60	60"	48"	24"	25"	18"	160,000

Fire Pit Material: Powder Coat
 Pan Material: 304 Stainless Steel
 Burner Material: 304 Stainless Steel

Standard 1" Flange on all pans
 Standard 2" Depth on all pans

Match Lit Unit Includes: Pan, Burner, Gas Orifice, Gas Hoses, Key Valve, Key,

Drawn By	Murguia M.
Date Created	October 4, 2021