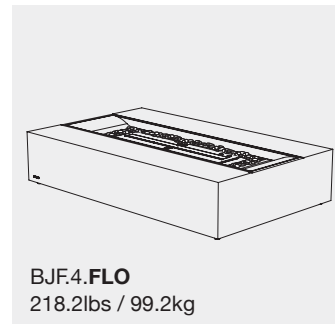


BROWN JORDAN FIRES™

Clearances & Installation Manual BIOETHANOL ONLY

Please read these instructions and the Burner Operations Manual provided with your burner completely before operating the appliance. REFER TO THE OPERATIONS MANUAL IN THE BURNER PACKAGING FOR CLEARANCE AND INSTALLATION INSTRUCTIONS IF USING PROPANE OR NATURAL GAS.



! WARNINGS: IF THE INFORMATION IN THIS MANUAL IS NOT FOLLOWED EXACTLY, A FIRE OR EXPLOSION MAY RESULT CAUSING PROPERTY DAMAGE, PERSONAL INJURY OR LOSS OF LIFE.



Do not fill while hot



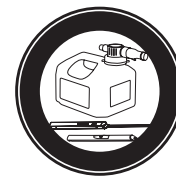
Do not fill while operating



Do not overfill



Flammable



Use with supplied accessories



Keep away from children

Clearances

When using Bioethanol as a fuel source this model is suitable for indoor and outdoor use.

Before installation ensure that the model is positioned in accordance with the compulsory minimum clearances outlined below.

WARNING: Ensure that your fire is positioned away from flammable materials and other sources of ignition at all times. Pay very close attention to positioning the fire away from items that may move as a result of wind and drafts. For example trees/branches/paper and the like.

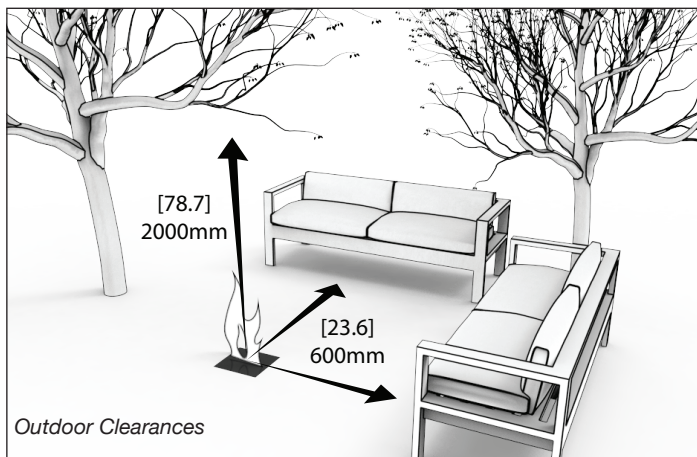
The base of the burner within the model must never come into direct contact with flammable materials.

Side clearances to fixed and stable furniture items that are not susceptible to movement such as lounges or patio furniture must remain a minimum of 600mm [23.6in] away from the flame at all times.

Overhead clearances to items that are susceptible to movement (e.g. Trees) must remain a minimum of 2000mm [78.7in] away from the flame at all times.

Note: Stainless steel will rust or corrode over time if contamination or debris is not cleaned or removed immediately. When not in use, it is recommended that you protect your fireplace from water damage or corrosion with a protective cover and always use the Burner Lid included with your model to safeguard the burner.

These products feature 360° height-adjustable articulating feet. Adjust the feet by turning them in either direction until you achieve a perfectly level and stable model before operating.



IMPORTANT

1. Bioethanol must **NOT** be stored inside or underneath the model at any time.
2. Concrete is a porous material. It is important to avoid dripping liquid (such as bioethanol or alcohol) onto the concrete surfaces as it may break down the sealer and stain the surface permanently.
3. Do not put HOT burner lids down on the concrete surfaces. It could damage the model.

Please refer to the Care & Maintenance document included with your model (and available online).

Installation

FLO

1. Insert the Flo Tray into the cut out in the top of the concrete vessel.
NOTE: If you have the optional Glass Screen accessory, please insert them into the tray before proceeding with step 2.
2. Add the majority of the chosen decorative media around the tray. Do this before inserting the burner to avoid scratching the surface of the burner.
3. Insert Burner into the cut out of the Flo Tray then carefully adjust or add more of the decorative media around the burner - be careful not to scratch the burner surface.
Do not place decorative media on top of the burner or where they can interfere with the operation of the burner or the flame.
4. Insert two clips into the top and bottom of the cosmetic cap. (Four clips are supplied but only one or two will be needed in most cases).
5. Insert the cosmetic cap into position. The remaining part (similar to the cosmetic plate) packed with your unit is not required for bioethanol fuelled installations.
6. If you find it too loose - add an additional clip to the side/s to tighten up the fit, if it's too tight - remove one of the clips until the best fit is achieved. The remaining part (similar to the cosmetic plate) packed with your unit is not required for bioethanol fuelled installations.
7. This model comes with Ground Fixing Brackets so it can be installed in a fixed position. Follow the instructions supplied with the Ground Fixing Brackets to complete the installation of the product.

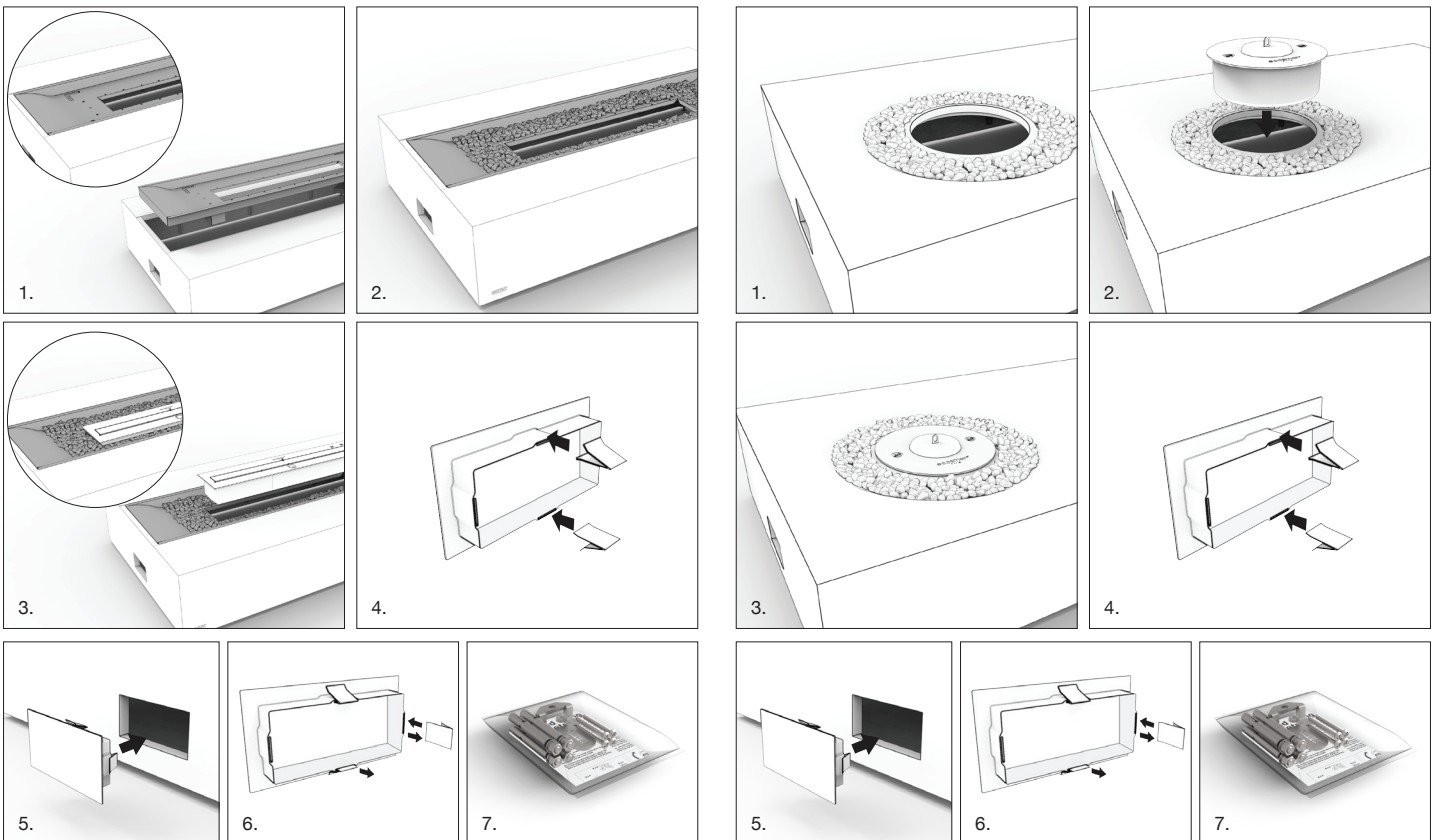
OPERATE ACCORDING TO THE BURNER OPERATIONS MANUAL INCLUDED WITH THE BURNER.

EQUINOX, URTH, SOLSTICE, KOVE

NOTE: If you have the optional Glass Screen accessory, please follow the assembly instructions supplied with it. Complete the Glass Screen assembly before proceeding with step 1.

1. Add the majority of the chosen decorative media around the unit platform. Do this before inserting the burner to avoid scratching the surface of the burner.
2. Insert Burner into base then carefully adjust or add more of the decorative media around the burner - be careful not to scratch the burner surface.
3. Do not place decorative media on top of the burner or where they can interfere with the operation of the burner or the flame.
4. Insert two clips into the top and bottom of the cosmetic cap. (Four clips are supplied but only one or two will be needed in most cases).
5. Insert the cosmetic cap into position.
6. If you find it too loose - add an additional clip to the side/s to tighten up the fit, if it's too tight - remove one of the clips until the best fit is achieved. The remaining part (similar to the cosmetic plate) packed with your unit is not required for bioethanol fuelled installations.
7. These models come with Ground Fixing Brackets so they can be installed in a fixed position. Follow the instructions supplied with the Ground Fixing Brackets to complete the installation of the product.

OPERATE ACCORDING TO THE BURNER OPERATIONS MANUAL INCLUDED WITH THE BURNER.



US Customer Service
Tel +1 (888) 488.4447
Email info@brownjordanfires.com

MAD Design USA
5875 Green Valley Circle, Suite 100
Culver City, CA 90230

AUS Customer Service
Tel +61 2 9997 3050
Email info@brownjordanfires.com.au

MAD Design Group
Showrooms 3 & 4, 40-42 O'Riordan Street
Alexandria NSW 2015 Australia

**Designed and Manufactured
by MAD Design Group.**
Email info@maddesigngroup.com