

Trim Kit

Installation Instructions

for Models: BLTK Series, BRTK Series, SSTK Series

Refer to your fireplace Homeowner's Manual to make sure this trim kit is designed for your fireplace model. Check that you have purchased the correct size trim kit for your fireplace system.

Kit contents:

- 2, Side trim
- 1, Top trim
- 2, 90° Brackets
- 2, 90° Shims
- 4, Screws

Tools required: Flat head screwdriver, Phillips screwdriver

Installation Instructions

If any part or parts are missing or damaged, contact the dealer where you purchased this kit.

1. Remove trim from protective packaging. Be careful not to scratch the trim. Remove two (2) 90° mounting brackets and two (2) 90° shims.
2. Lay trim face down on the floor. Align the 45° corners of the top trim with the 45° corners of the side trims. **NOTE:** Both ends of the top piece of trim are mitered.

Figure 1

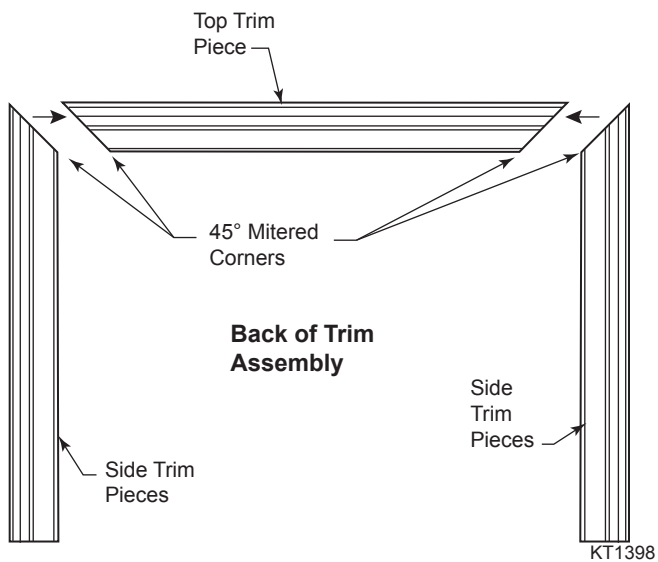


Figure 1 - Align Corners of Trim Pieces

3. Slide one (1) 90° bracket (with attached screws) and one (1) 90° shim in the outside corner slot where the top and side trims meet. *Figure 2*

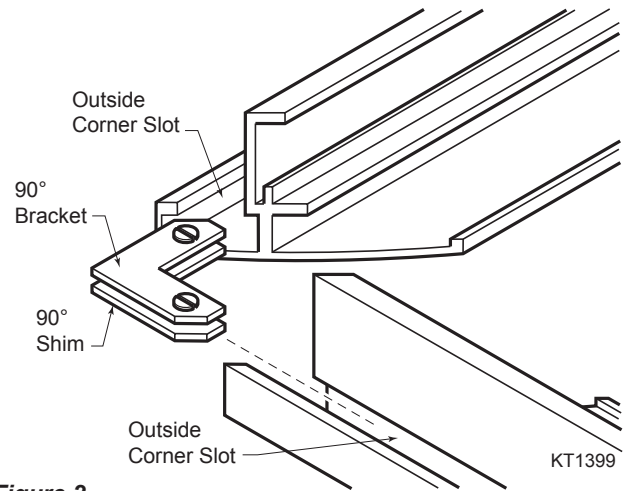


Figure 2 - Secure Corners Together

4. Hold the corners together securely. Tighten screws on bracket with flat head screwdriver. Make sure the corners are flush and there are no spaces. Do not over-tighten screws. *Figure 3*
5. Repeat for other side trim.

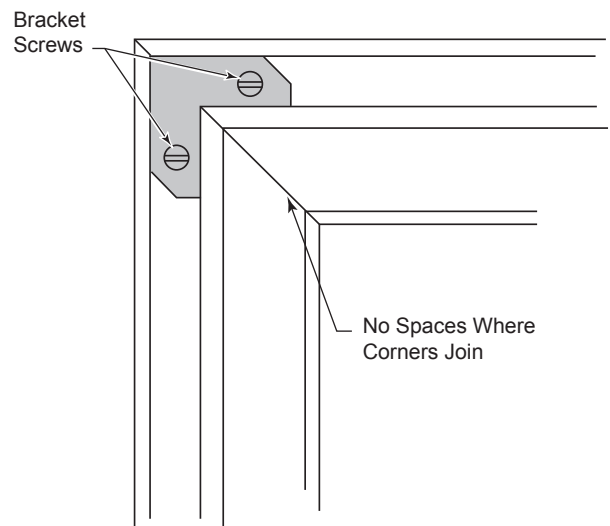
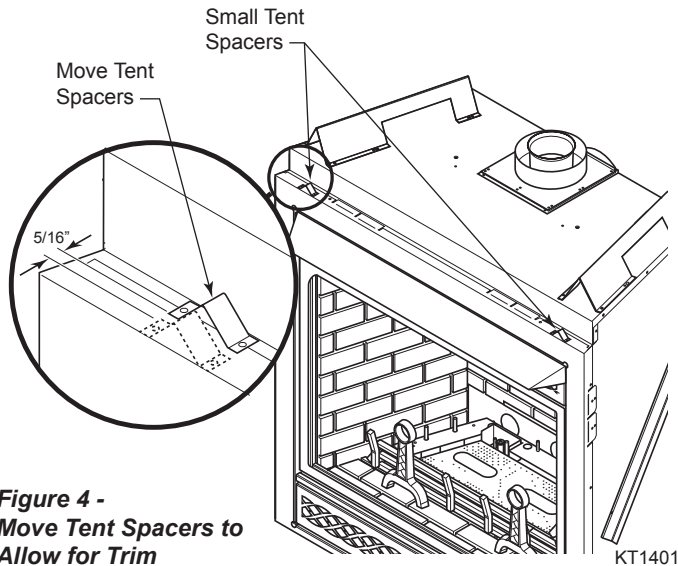


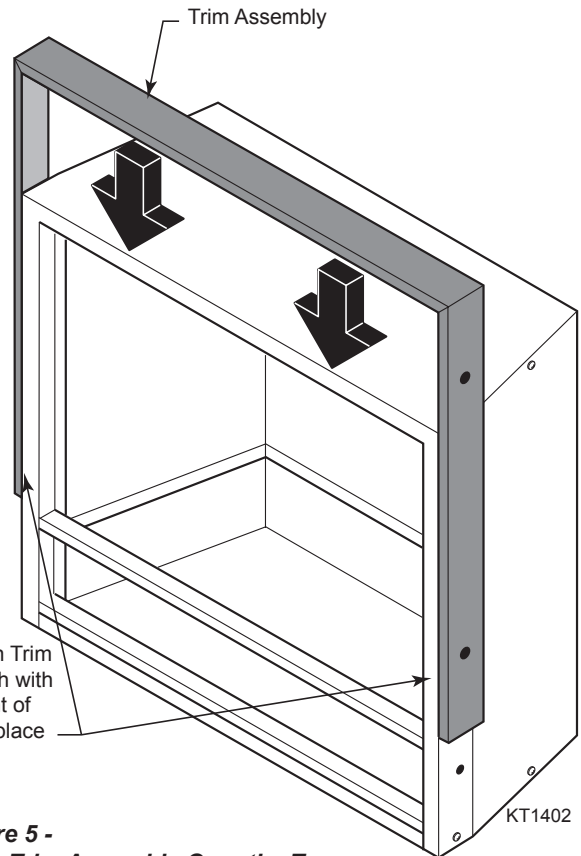
Figure 3 - Make Sure Corners Are Flush

6. **SDV/DVS Units Only:** Tent spacers must be moved $3/16"$ to make room for the trim. Remove tent spacers that are flush with face of unit. Drill two (2) $1/8"$ holes $5/16"$ directly behind each existing hole. Reattach tent spacers to unit in newly drilled holes. *Figure 4*



**Figure 4 -
Move Tent Spacers to
Allow for Trim**

KT1401



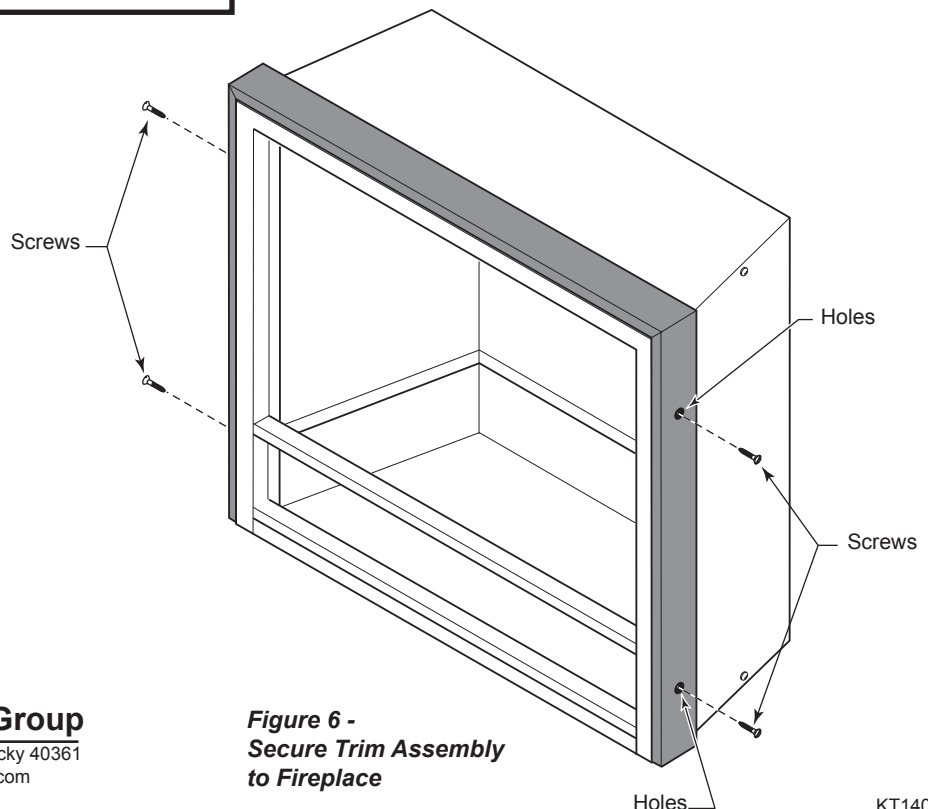
**Figure 5 -
Slide Trim Assembly Over the Top
of the Fireplace**

KT1402

WARNING

Do not allow combustibles to rest below the top of the spacers.

7. Slide assembled trim over the top and down the sides of the fireplace. Trim should be flush with front of fireplace as shown in *Figure 5*.
8. Align holes in assembled trim with holes in side of fireplace. Using a Phillips screwdriver, attach trim with four (4) screws provided - two (2) for each side of fireplace. Tighten snugly. *Figure 6*



**Figure 6 -
Secure Trim Assembly
to Fireplace**

KT1403

Vermont Castings Group

149 Cleveland Drive • Paris, Kentucky 40361
www.vermontcastingsgroup.com