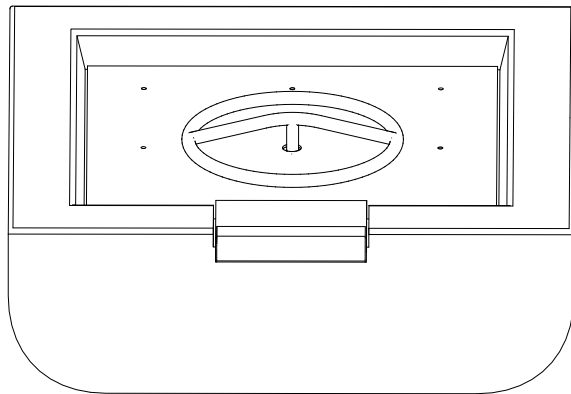
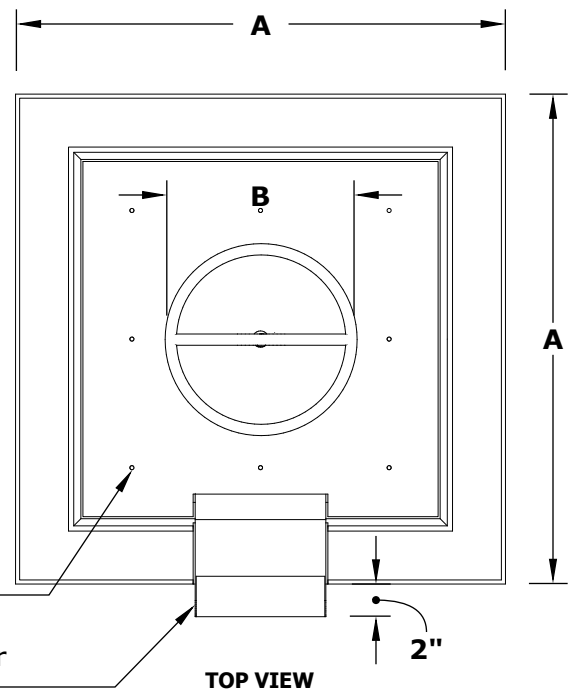


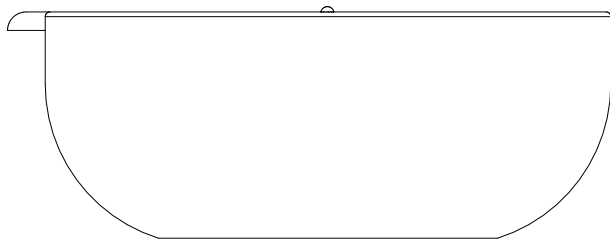
# AVALON FIRE WATER BOWL - METAL



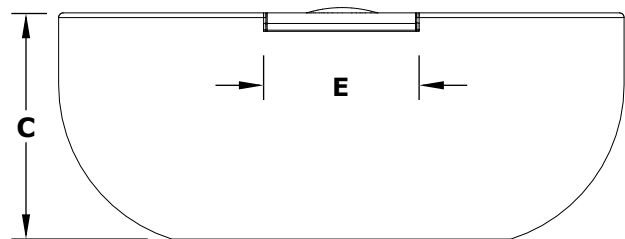
**ISOMETRIC VIEW**



**TOP VIEW**



**RIGHT SIDE VIEW**



**FRONT SIDE VIEW**

Hammered Copper	Stainless Steel	A	B	C	D	E	BTU	GPM
OPT-24AVCPF	OPT-24AVSSF	24"	8"	10"	12"	8"	45,000	7-10
OPT-30AVCPF	OPT-30AVSSF	30"	10"	13"	15"	8"	65,000	7-10
OPT-36AVCPF	OPT-36AVSSF	36"	10"	13"	18"	10"	65,000	7-10

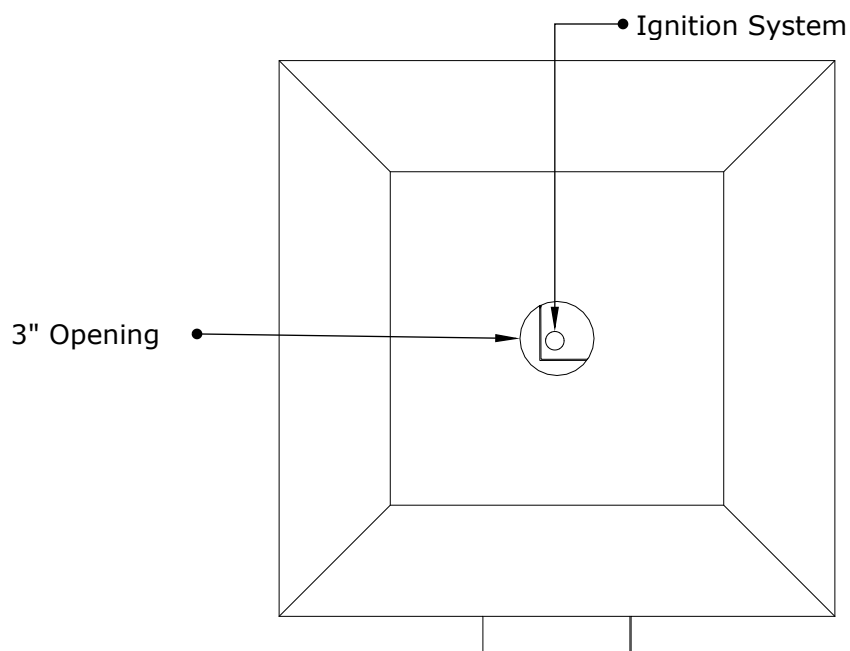
Fire Pit Material: Copper / Stainless Steel  
Pan Material: 304 Stainless Steel  
Burner Material: 304 Stainless Steel

**12V ELECTRONIC IGNITION**  
ANSI Z21.97-(2017) / CSA 2.41-(2017)



Includes: Pan, Burner, Whistle Free Hoses, Copper Scupper, Black Lava Rock.

# AVALON FIRE WATER BOWL - METAL



**ISOMETRIC VIEW**

Fire Pit Material: GFRC Concrete  
Finish: Smooth Finish  
Pan Material: 304 Stainless Steel  
Burner Material: 304 Stainless Steel

**12V ELECTRONIC IGNITION**  
ANSI Z21.97-(2017) / CSA 2.41-(2017)



Includes: Pan, Burner, Whistle Free Hoses, Copper Scupper, Black Lava Rock.