



LOVE AT FIRST LIGHT

Please consult the manufacturer's installation manual for all details and requirements before making a final design layout decision.

Artisan
Vent Free Fireplace System

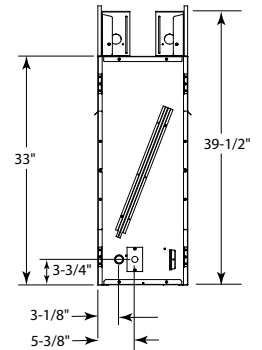
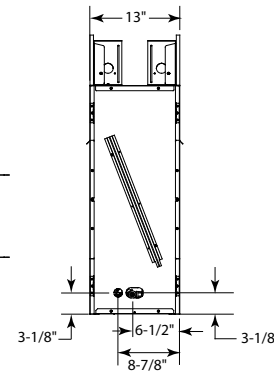
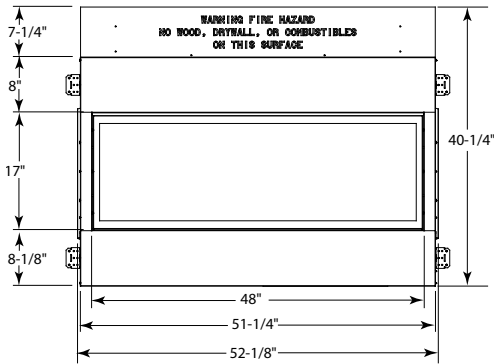
MODEL	FRONT WIDTH			BACK WIDTH		HEIGHT		DEPTH			VIEWING AREA
	Actual	Framing	Outdoor Kit	Actual	Framing	Actual	Framing	Actual	Framing	Outdoor Kit	
AVFLST48	52-1/8"	52-5/8"	48-1/2"	52-1/8"	52-5/8"	39-1/2"	39-3/4"	13"	13-1/8"	14-7/8"	48" x 17"

FRONT VIEW

TOP VIEW

LEFT SIDE VIEW

RIGHT SIDE VIEW



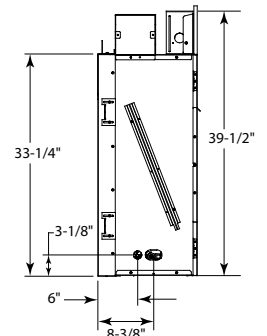
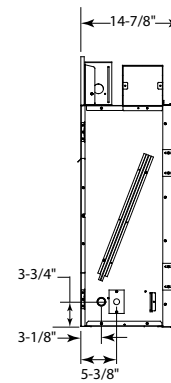
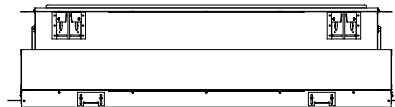
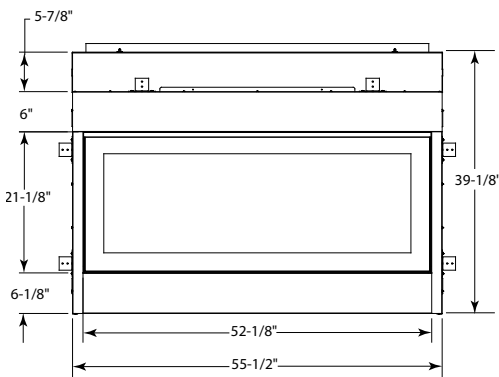
WITH OUTDOOR KIT

FRONT VIEW

TOP VIEW

LEFT SIDE VIEW

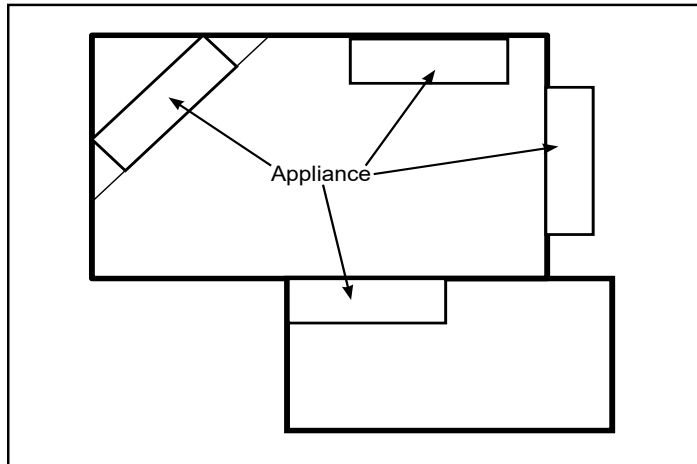
RIGHT SIDE VIEW



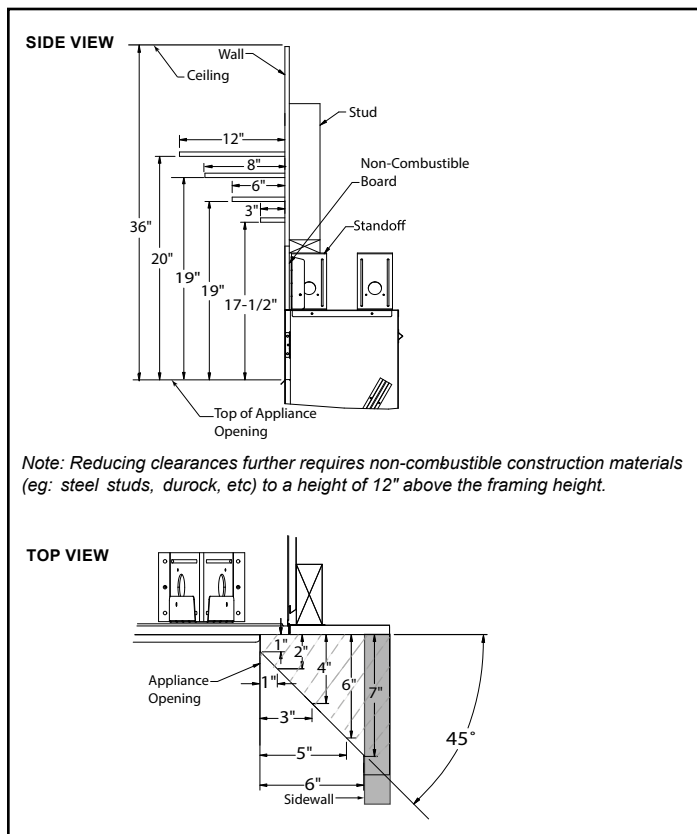
DETERMINE UNIT SIZE

See homeowner's manual for information on determining the proper size unit for the space required.

APPLIANCE LOCATIONS



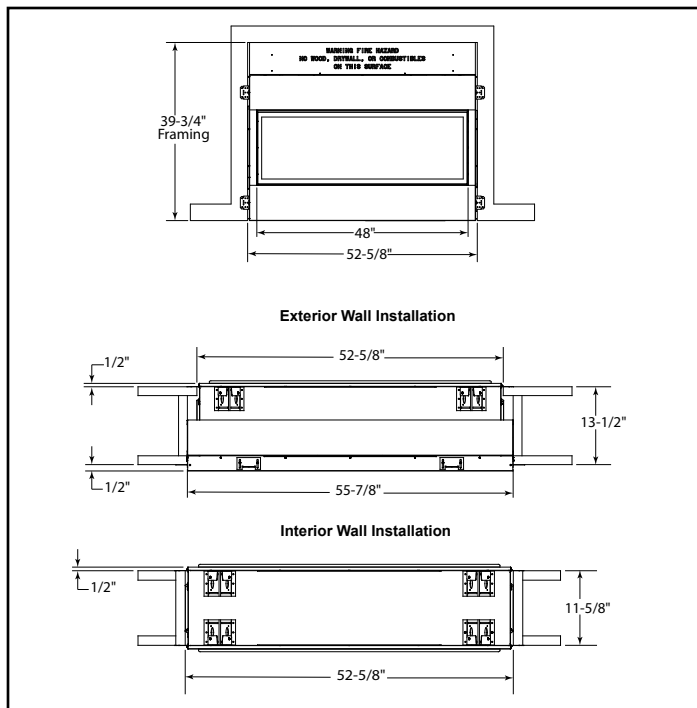
NON-COMBUSTIBLE MANTEL CLEARANCES



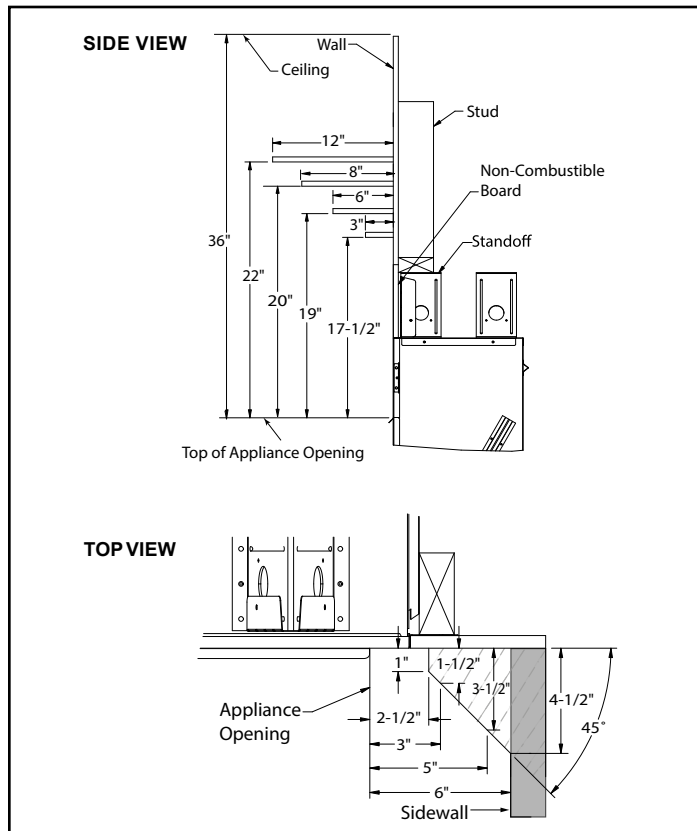
Back Wall Clearance — The appliance may be placed against a combustible back wall.

Floor Clearance — The fireplace may be installed directly on a combustible floor or a raised platform of an appropriate height. Do not place fireplace on carpeting, vinyl, tile or other soft floor coverings. It may, however, be placed on flat wood, plywood, particle board or other hard surfaces. Be sure fireplace rests on a solid continuous floor or platform with appropriate framing for support and so that no cold air can enter from under the firebox.

FRAMING DIMENSIONS



COMBUSTIBLE MANTEL CLEARANCES



PRODUCT LISTING CODES	
US	ANSI Z223.1 / NFPA54 ANSI Z21.11.2:19



Product information provided is not complete and is subject to change without notice. Product installation must adhere strictly to instructions accompanying product to avoid risk of fire and potential injury.



LOVE AT FIRST LIGHT

(877) 863-4350 | monessenhearth.com