

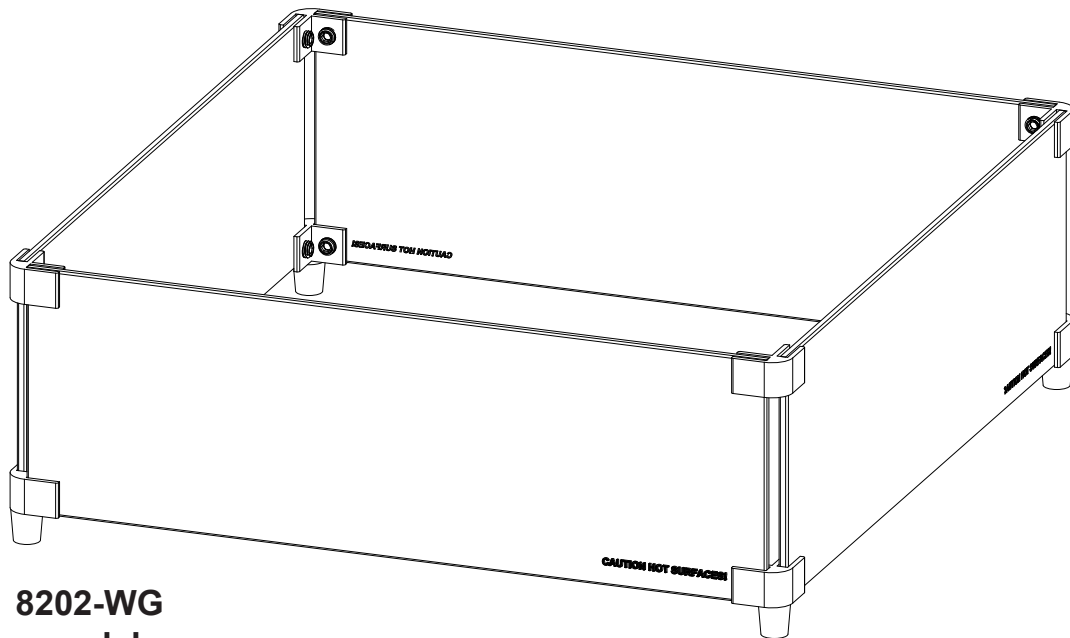
WIND GUARDS

Square 19.25" Model: 8202-WG

Square 28" Model: 8210-WG

Rectangular 35" x 14.5" Model: 8204-WG

Rectangular 43" x 19.25" Model: 8211-WG



8202-WG
model
shown

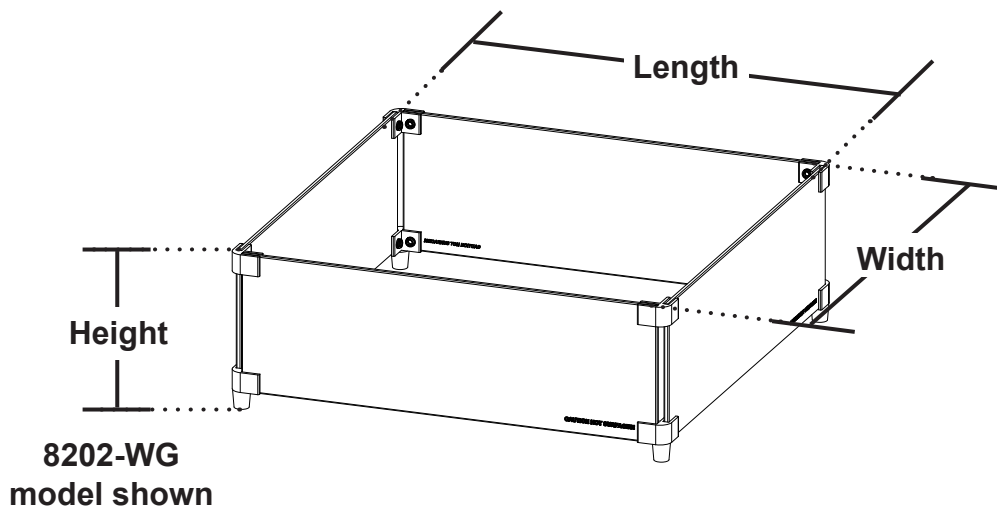
SPECIFICATIONS AND DIMENSIONS

This wind guard is for use with your American Fyre Designs unit.

CAUTION: DO NOT touch any part of this accessory during operation or when HOT! The glass panels and other surfaces get HOT and can cause burns if touched.

Be sure the unit and this accessory are completely cool when handling.

Description	Dimension			
	8202-WG	8210-WG	8204-WG	8211-WG
Height	6 3/4"	6 3/4"	6 3/4"	6 3/4"
Width	19 1/4"	28"	35"	43"
Length	19 1/4"	28"	14 1/2"	19 1/4"



TOOLS REQUIRED

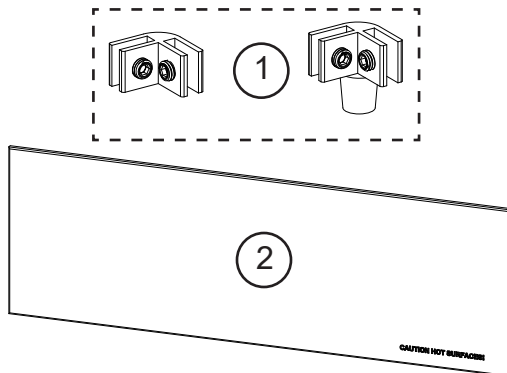
- 5mm Allen wrench
- 2 assemblers recommended
- Soft cotton gloves for handling glass panels

Note: Use a soft non-abrasive surface for assembly to prevent any damage.

PARTS LIST

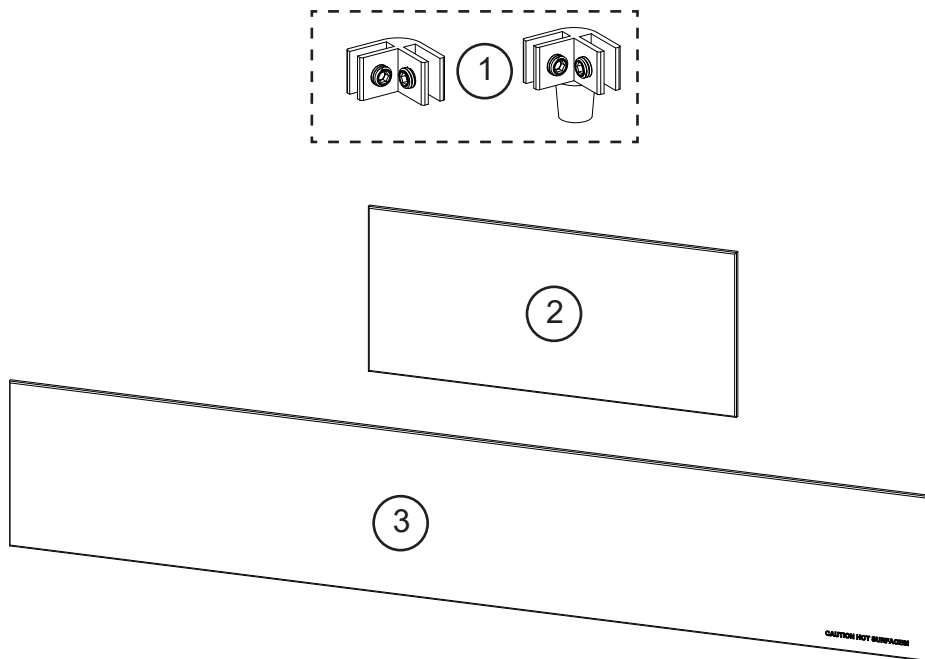
8202-WG, 8210-WG model

Item	Description	Part No.	Qty.
1.	Bracket kit (set of 4 top & 4 bottom)	WG-BK-1	1
2.	Square glass panel - 19.25"	8202-03	4
or	Square glass panel - 28"	8210-03	4



8204-WG, 8211-WG model

Item	Description	Part No.	Qty.
1.	Bracket kit (set of 4 top & 4 bottom)	WG-BK-1	1
2.	Rectangle glass panel, width - 14.5"	8204-03	2
or	Rectangle glass panel, width - 19.25"	8202-03	2
3.	Rectangle glass panel, length - 35"	8204-04	2
or	Rectangle glass panel, length - 43"	8211-01	2



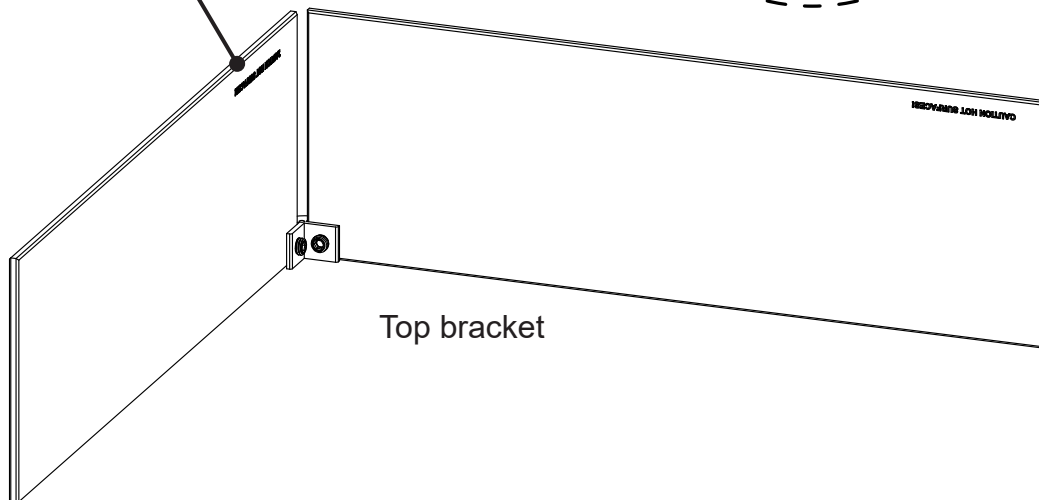
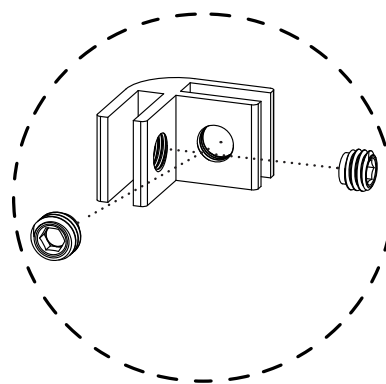
IMPORTANT
Remove all packing material
and discard prior to use.

**HANDLE
WITH CARE
GLASS**

1 Assemble 2 panels w/ top bracket

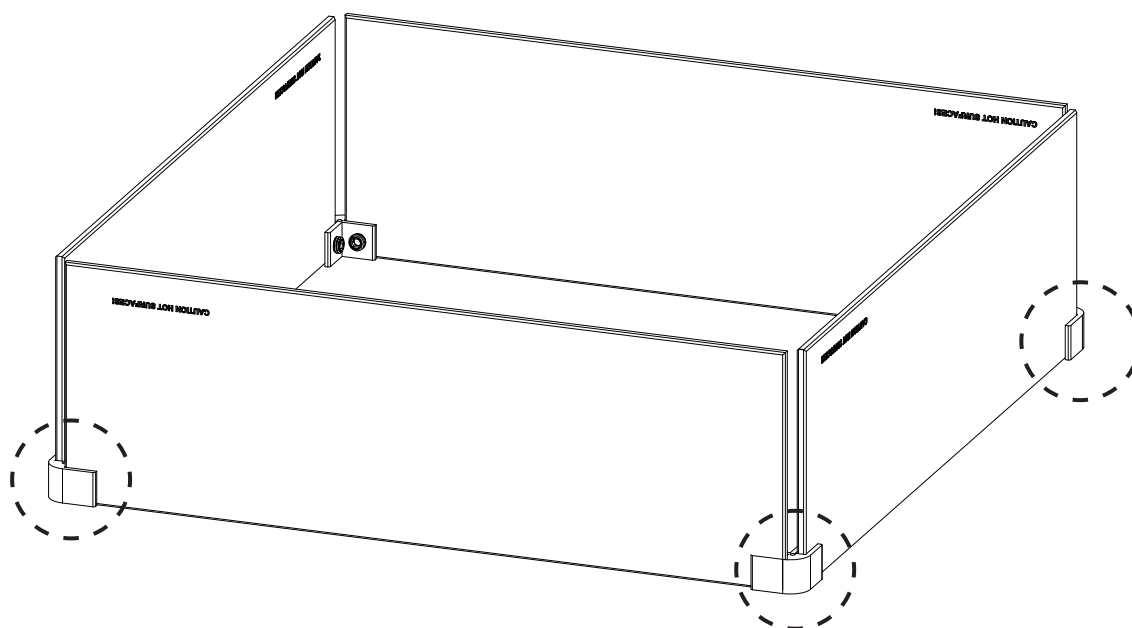
8202-WG assembly shown

Glass panels (and warning etchings) are upside down



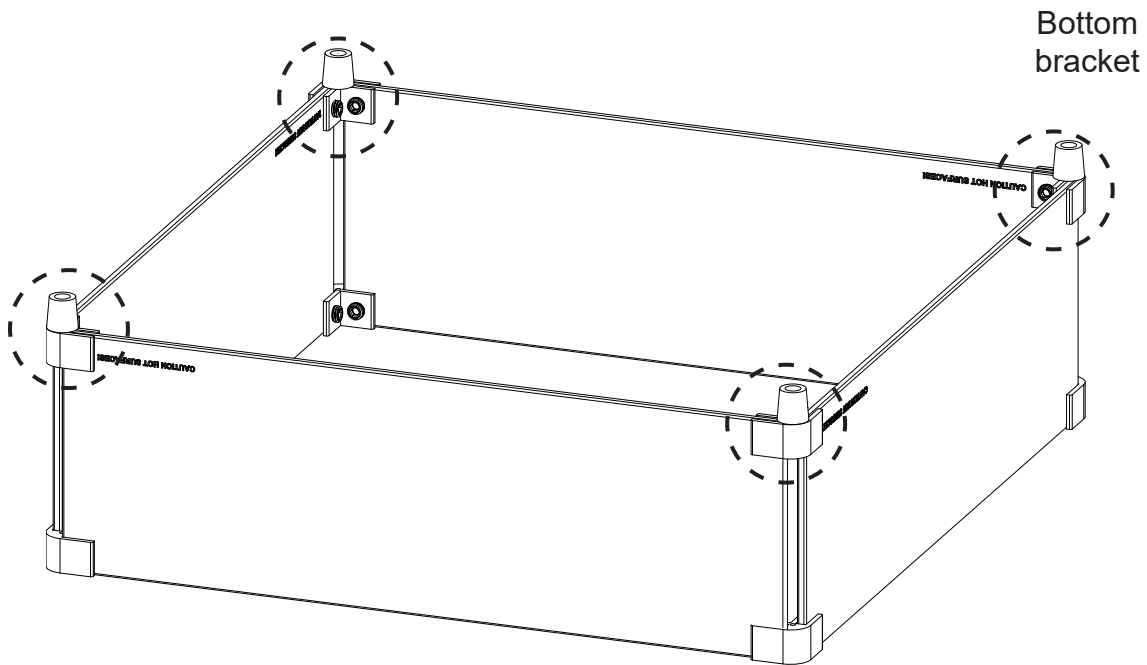
Assemble upside down (as shown) for ease of assembly.

2 Assemble all panels w/ remaining top brackets



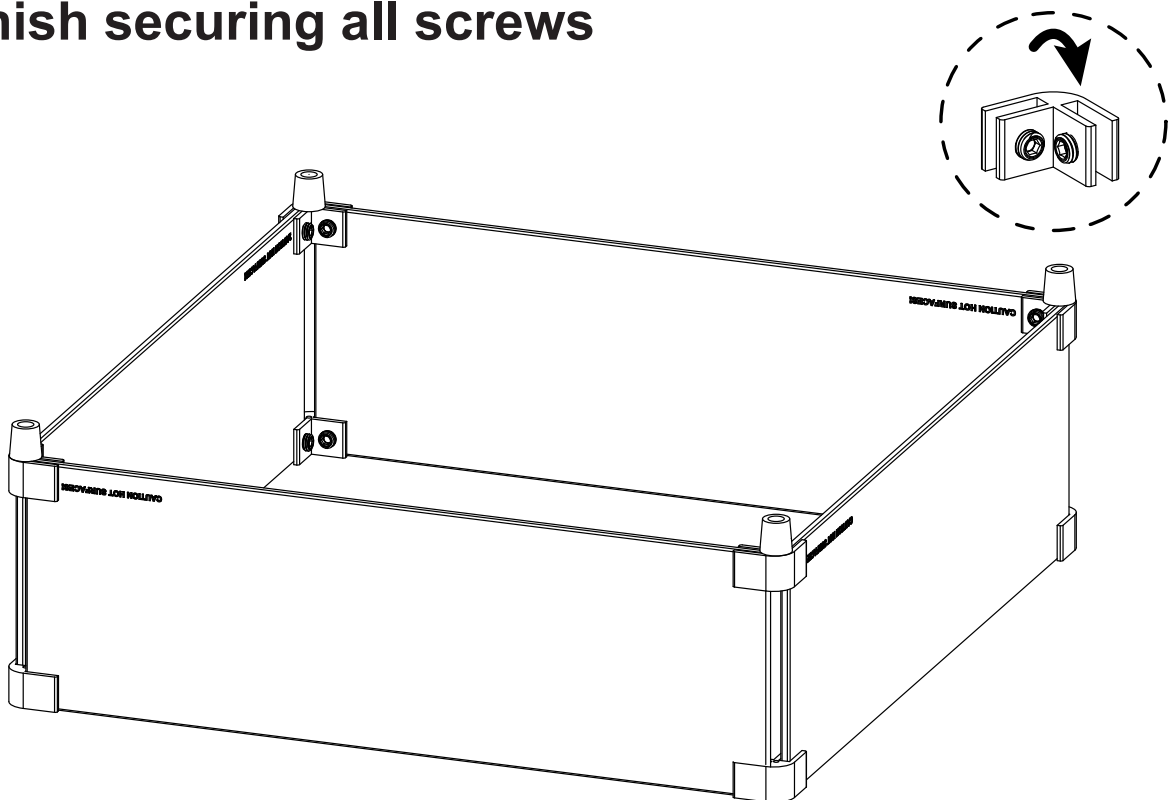
DO NOT overtighten screws. Tighten until snug. Overtightening can break glass.

3 Install bottom brackets



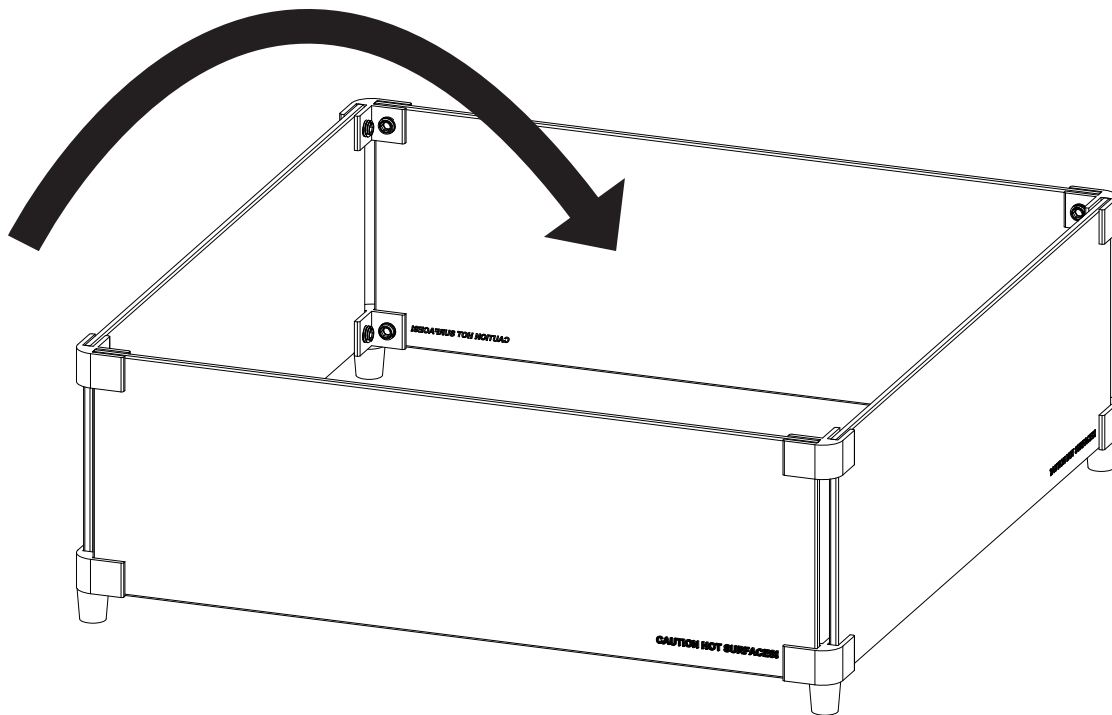
DO NOT overtighten screws. Tighten until snug. Overtightening can break glass.

4 Finish securing all screws



Gently secure all screws (on all brackets) $1/4$ " to $1/2$ " turn until panels are secure. **DO NOT OVERTIGHTEN.**

5 Install on unit



Flip and position wind guard on unit.

CARE AND CLEANING

- Clean the glass periodically to remove any build-ups caused by the elements and combustion. It is recommended that the glass be cleaned 2-3 times during each heating season, depending on use and environment conditions.
- Clean using a non-abrasive glass cleaner and a clean lint-free cloth.
- Never attempt to clean glass while hot.
- DO NOT touch glass while in operation or within 10 minutes following use.

