
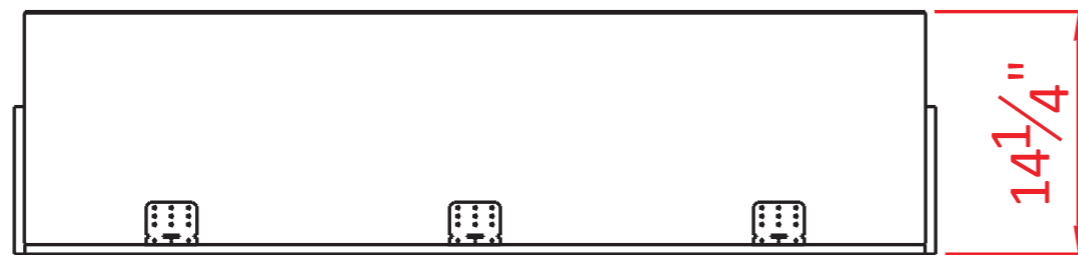
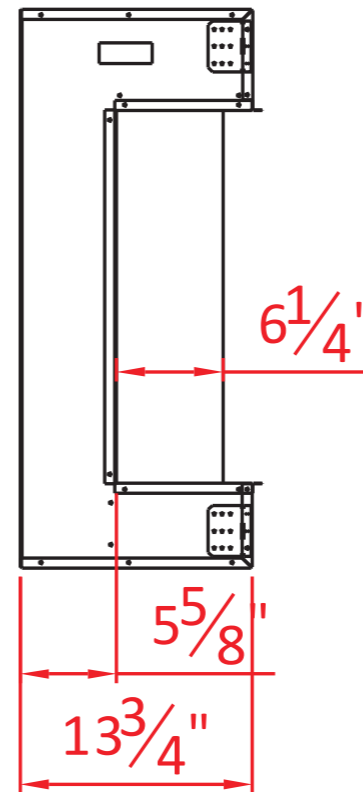
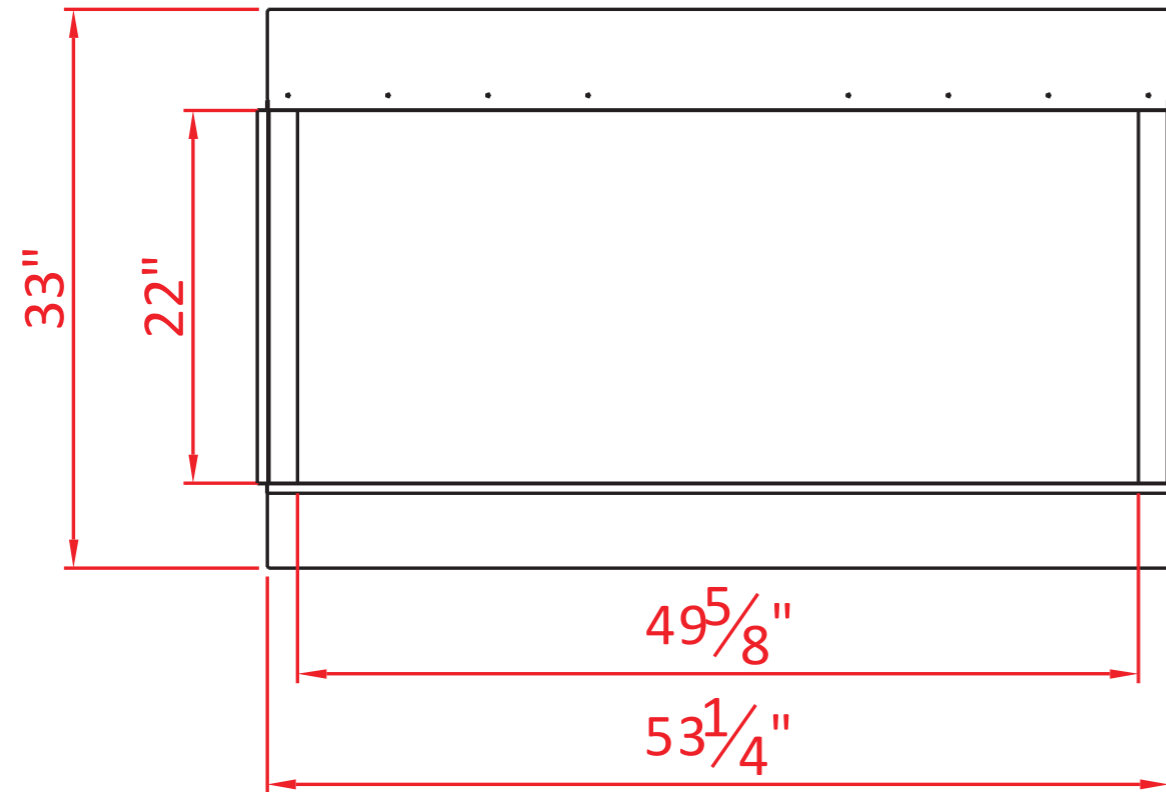


### TECHNICAL SPECIFICATIONS

VOLTS	120	
AMPS	12.5	
WATTS	1500	
HEATER	HIGH	1500 watts
	LOW	750 watts
NO HEATER	19 watts	
LAMPS	TYPE	LED
	WATTS	
	TOTAL WATTS	41 watts
ROTOR MOTOR	2 at 5 watts	
HEIGHT,WIDTH,DEPTH	33" x 43 1/4" x 13 3/4"	
GLASS VIEWING OPENING	22" X 39 5/8"	
GLASS SIZE	22" X 39 5/8"	
SHIPPING SIZE	35 1/4" x 47 1/2" x 15 5/8"	
SHIPPING WEIGHT	125.7 lbs	
	UNIT	109.6 lbs
	GLASS FRONT	Included
PLUG LOCATION	Left Side	
CORD LENGTH	76"	
APPROX. HEATING AREA	400 sq ft	

*Amantii*


SERIES	MODEL		REV
TRU VIEW	40-TRV-XL-XT		1
SCALE 1"=1'-0"	DATE: 9/19/2019	SHEET 1 OF 1	

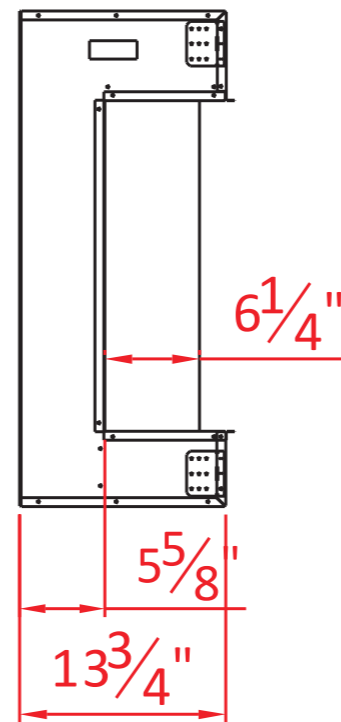
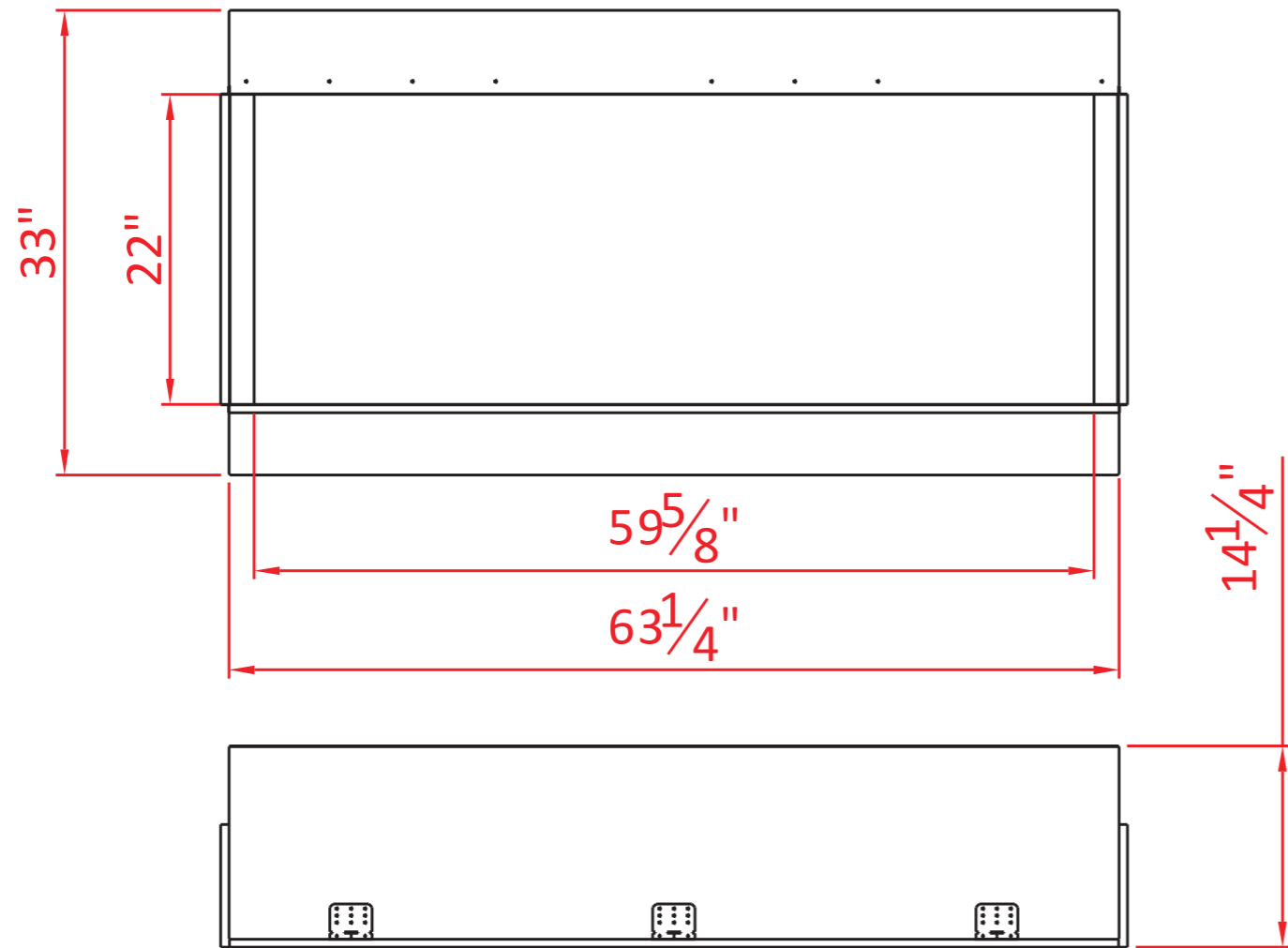


### TECHNICAL SPECIFICATIONS

VOLTS	120	
AMPS	12.5	
WATTS	1500	
HEATER	HIGH	1500 watts
	LOW	750 watts
NO HEATER	19 watts	
LAMPS	TYPE	LED
	WATTS	
	TOTAL WATTS	48 watts
ROTOR MOTOR	2 at 5 watts	
HEIGHT,WIDTH,DEPTH	33" x 53 1/4" x 13 3/4"	
GLASS VIEWING OPENING	22" X 49 5/8"	
GLASS SIZE	22" X 49 5/8"	
SHIPPING SIZE	35 1/4" x 57 1/2" x 15 5/8"	
SHIPPING WEIGHT	UNIT	147.7 lbs
	GLASS FRONT	129.6 lbs
PLUG LOCATION	Left Side	
CORD LENGTH	76"	
APPROX. HEATING AREA	400 sq ft	




SERIES	MODEL		REV
TRU VIEW	50-TRV-XL-XT		1
SCALE 1"=1'-0"	DATE: 9/19/2019	SHEET 1 OF 1	

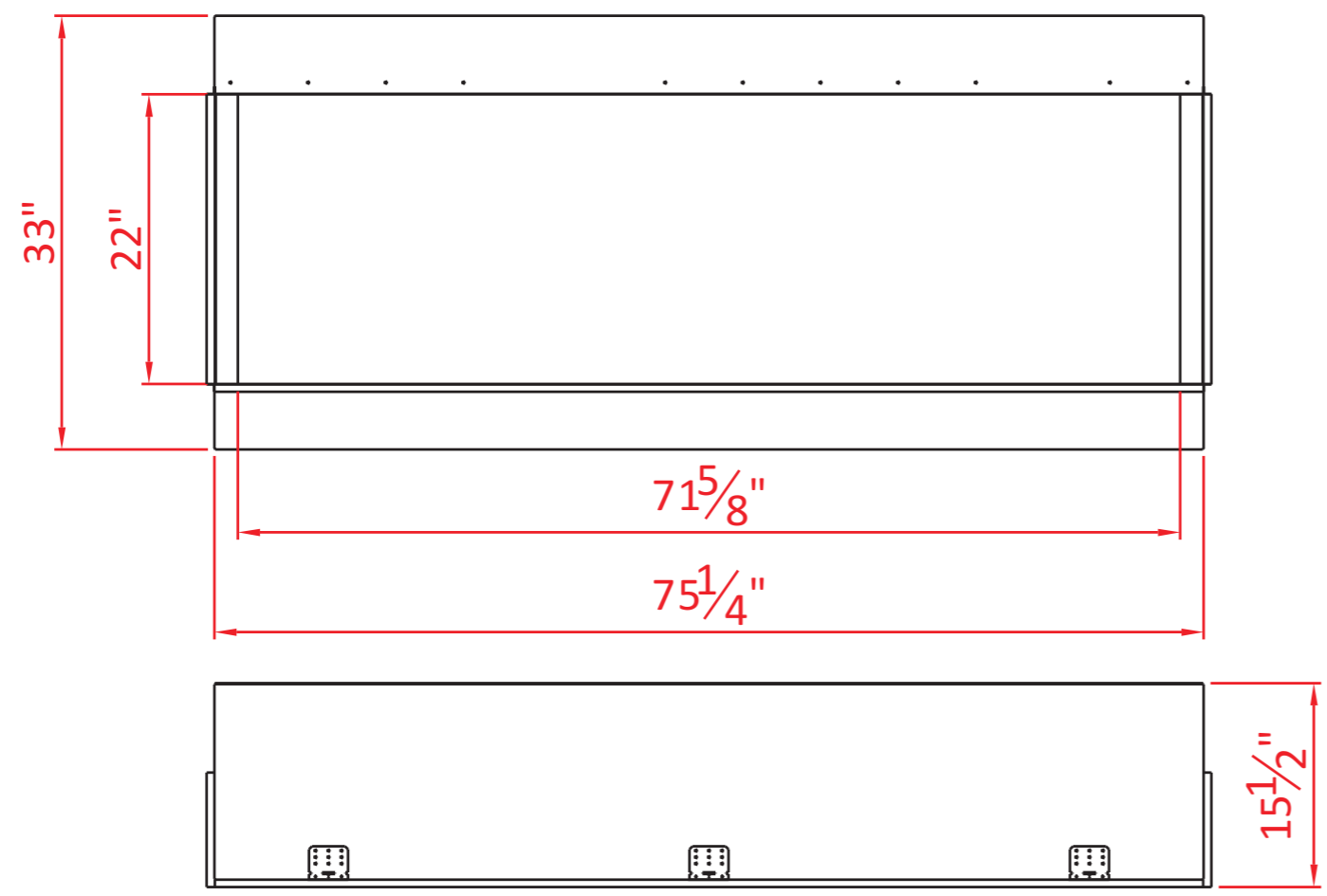


### TECHNICAL SPECIFICATIONS

VOLTS	120	
AMPS	12.5	
WATTS	1500	
HEATER	HIGH	1500 watts
	LOW	750 watts
NO HEATER	19 watts	
LAMPS	TYPE	LED
	WATTS	
	TOTAL WATTS	54 watts
ROTOR MOTOR	2 at 5 watts	
HEIGHT,WIDTH,DEPTH	33" x 63 1/4" x 13 3/4"	
GLASS VIEWING OPENING	22" X 59 5/8"	
GLASS SIZE	22" X 59 5/8"	
SHIPPING SIZE	35 1/4" x 67 1/2" x 15 5/8"	
SHIPPING WEIGHT	UNIT	169.8 lbs
		150.4 lbs
	GLASS FRONT	Included
PLUG LOCATION	Left Side	
CORD LENGTH	76"	
APPROX. HEATING AREA	400 sq ft	




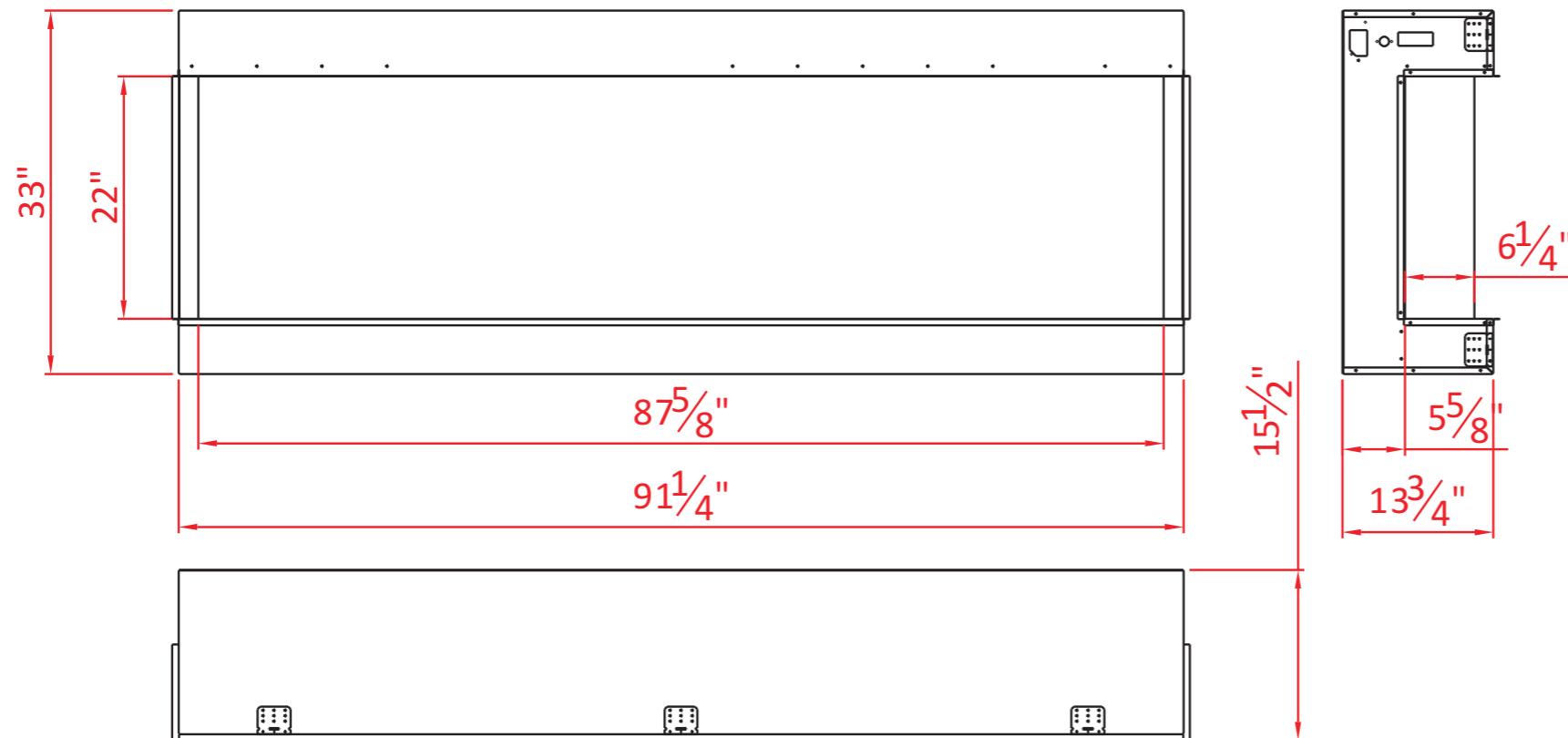
SERIES	MODEL		REV
TRU VIEW	60-TRV-XL-XT		1
SCALE 1"=1'-0"	DATE: 9/19/2019	SHEET 1 OF 1	



TECHNICAL SPECIFICATIONS		
VOLTS		120
AMPS		12.5
WATTS		1500
HEATER	HIGH	1500 watts
	LOW	750 watts
NO HEATER		19 watts
LAMPS	TYPE	LED
	WATTS	
	TOTAL WATTS	60 watts
ROTOR MOTOR		2 at 5 watts
HEIGHT,WIDTH,DEPTH		33" x 75 1/4" x 13 3/4"
GLASS VIEWING OPENING		22" X 71 5/8"
GLASS SIZE		22" X 71 5/8"
SHIPPING SIZE		35 1/4" x 79 5/8" x 15 5/8"
SHIPPING WEIGHT		200.6 lbs
	UNIT	174.4 lbs
	GLASS FRONT	Included
PLUG LOCATION		Left Side
CORD LENGTH		76"
APPROX. HEATING AREA		400 sq ft




SERIES	MODEL		REV
TRU VIEW	72-TRV-XL-XT		1
SCALE 1"=1'-0"	DATE: 9/19/2019	SHEET 1 OF 1	



### TECHNICAL SPECIFICATIONS

VOLTS		120
AMPS		12.5
WATTS		1500
HEATER	HIGH	1500 watts
	LOW	750 watts
NO HEATER		19 watts
LAMPS	TYPE	LED
	WATTS	
	TOTAL WATTS	67 watts
ROTOR MOTOR		2 at 5 watts
HEIGHT,WIDTH,DEPTH		33" x 91 1/4" x 13 3/4"
GLASS VIEWING OPENING		22" X 87 5/8"
GLASS SIZE		22" X 87 5/8"
SHIPPING SIZE		35 1/4" x 95 1/2" x 15 5/8"
SHIPPING WEIGHT		231.5 lbs
	UNIT	198.4 lbs
	GLASS FRONT	Included
PLUG LOCATION		Left Side
CORD LENGTH		76"
APPROX. HEATING AREA		400 sq ft

*Amantii*

SERIES	MODEL		REV
TRU VIEW	88-TRV-XL-XT		1
SCALE 1"=1'-0"	DATE: 9/19/2019	SHEET 1 OF 1	