

Boyd Build-Out Kit

BOK-MF-ALLP50, BOK-RTF-ALLP50

Model: SF-ALLP50-BK

- Instructions -

NOTICE: Before you start, the walls and floor in the area of the installation should be clean, plumb and level. Any major deviation should be remedied before installing the Boyd Build-Out Kit.

Kit Components

ITEM	DESCRIPTION	QUANTITY
A	Front Face	1
B	Mantel Shelf	1
C	Right Side	1
D	Left Side	1
E	Right Inner Panel	1
F	Left Inner Panel	1
G	Inner Top	1
H	Top Ledger	1
I	Lower Shelf	1
J	Lower Ledger	1

Tools and Supplies Needed

- Phillips Screwdriver (No. 2 and No. 3)
- Drill
- 5/32" or 4 mm Drill Bit
- 10 mm Socket or Nut Driver
- Level
- Stud Finder

ITEM	DESCRIPTION	QUANTITY
K	Mantel Blocks	2
L	Toe Kick Front	1
M	Toe Kick Sides	2
N	Shelf Support Blocks	3
O	Wall Cleat	2

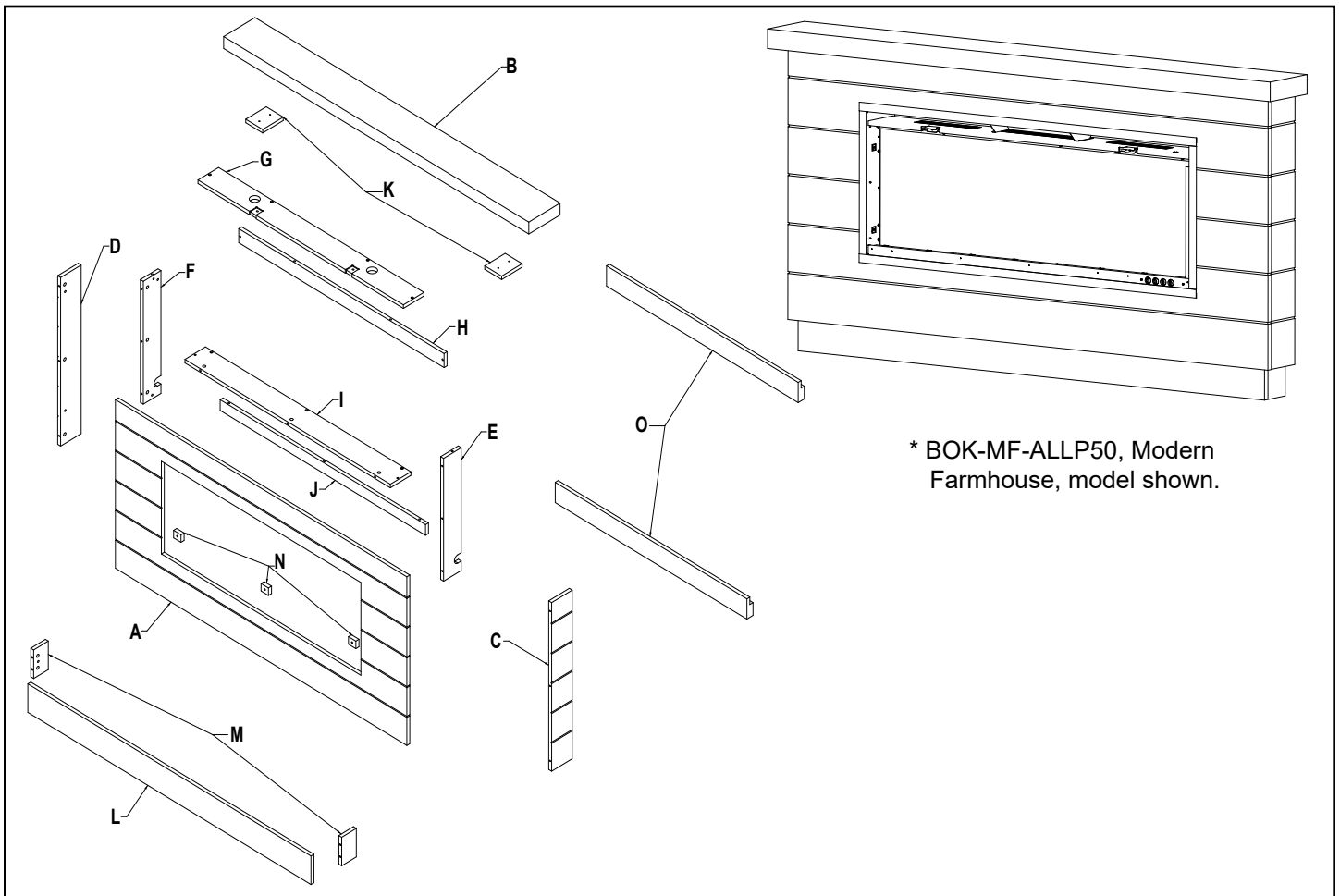
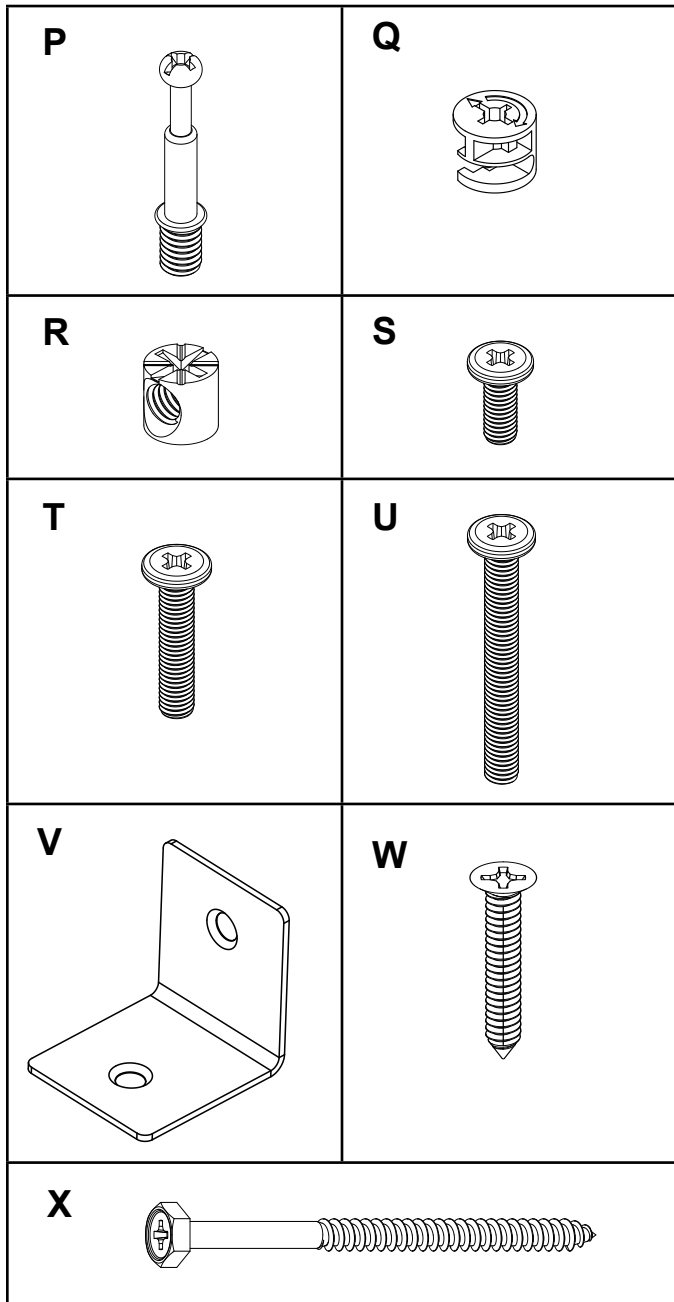


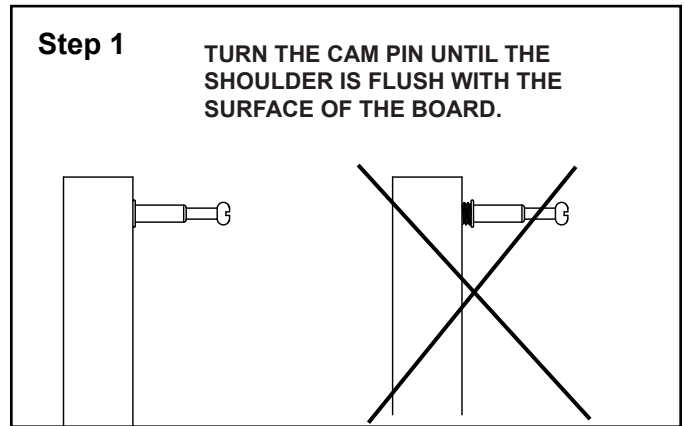
Figure 1

Fasteners

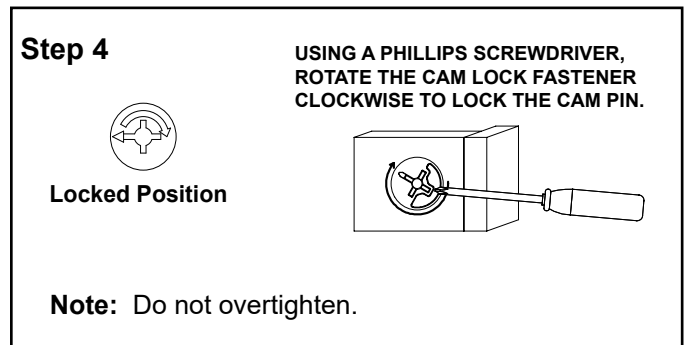
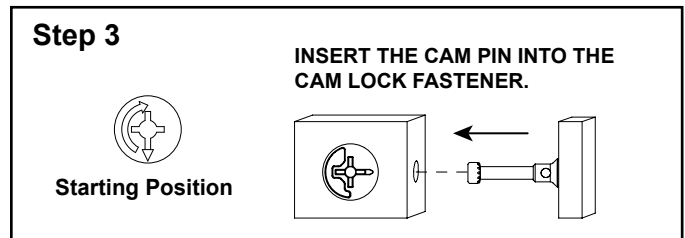
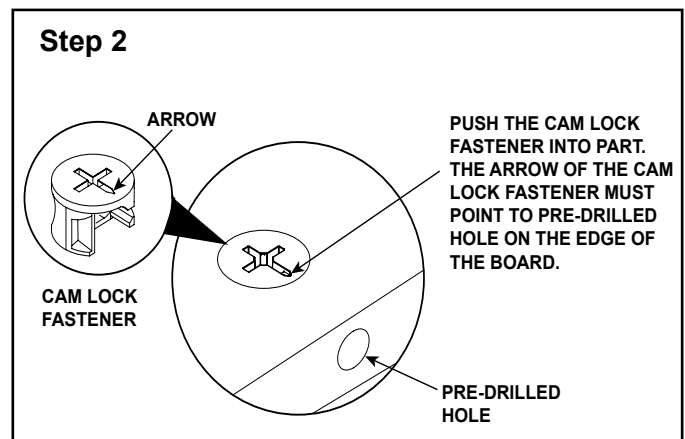
ITEM	DESCRIPTION	QUANTITY
P	M6- CAM PIN	22
Q	CAM LOCK FASTENER	22
R	M6- BARREL NUT	12
S	M6 X 10 MACHINE SCREW	16
T	M6 X 25 MACHINE SCREW	3
U	M6 X 45 MACHINE SCREW	12
V	L-BRACKET	8
W	CONSTRUCTION SCREW	8
X	M6 X 100 - 10MM HEX HEAD LAG SCREW	6



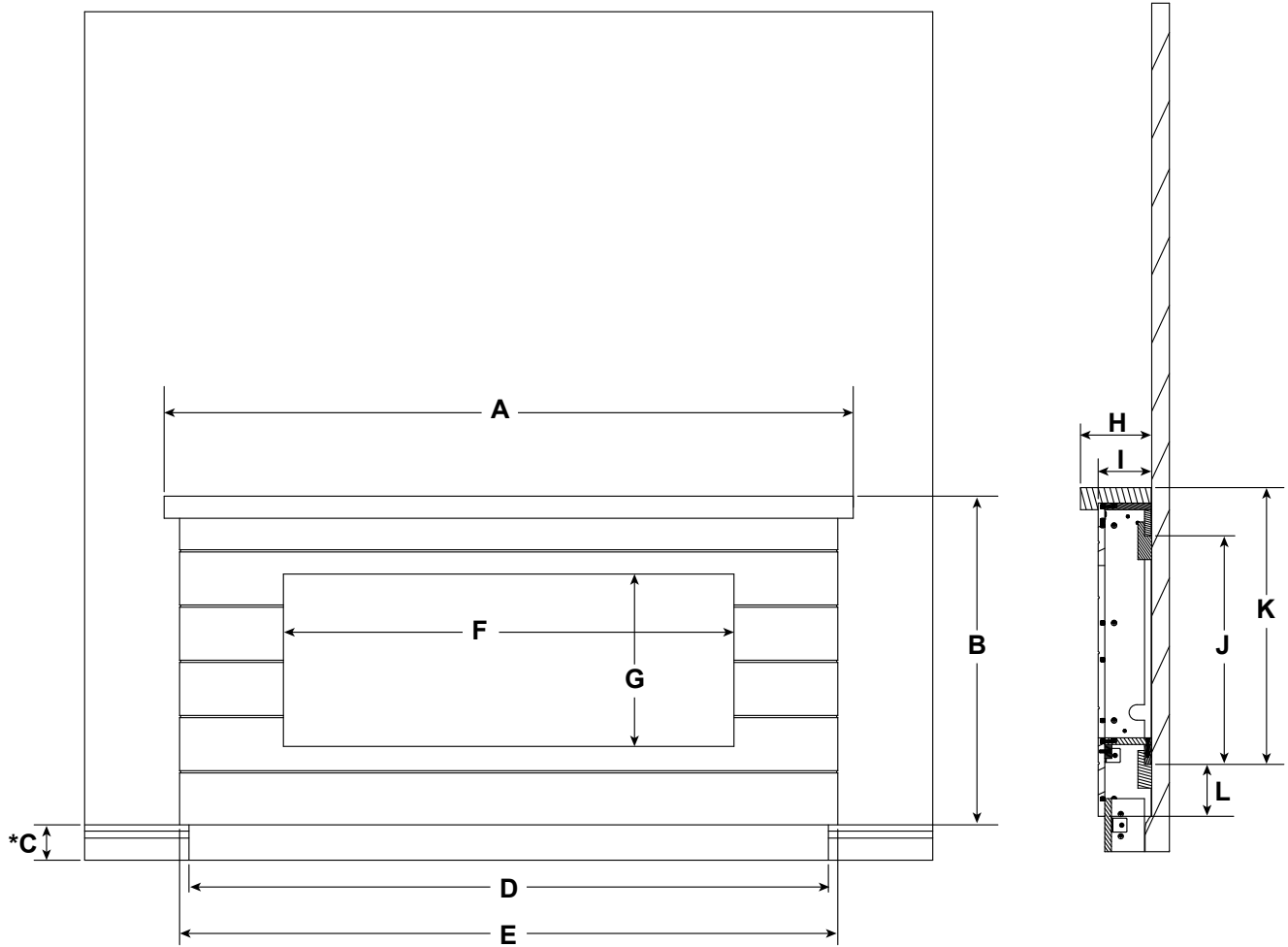
How to use Cam Pin and Cam Lock Fastener:



Note: Following Instructions apply to both the Cam Lock Fastener and Barrel Nut.



Product Dimensions



* Baseboard height if using toe kick.

Model		A	B	*C	D	E	F
Modern Farmhouse BOK-MF-ALLP50	in.	78-1/8	37-1/4	1-1/2 - 5-1/2	72-1/2	74-1/4	51
	mm	1984	946	38 - 140	1918	1886	1295
Ready-to-Finish BOK-RTF-ALLP50	in.	67-3/4	34-1/2	1-1/2 - 5-1/2	62-3/4	64-3/4	51
	mm	1721	876	38 - 140	1594	1645	1295

Model		G	H	I	J	K	L
Modern Farmhouse BOK-MF-ALLP50	in.	19-1/2	8	6-1/16	26-3/4	32-3/8	5-1/8
	mm	495	203	154	679	822	130
Ready-to-Finish BOK-RTF-ALLP50	in.	19-1/2	7-1/2	6-1/16	26-3/4	31-1/4	3-1/4
	mm	495	191	154	679	794	83

Figure 2

Outlet Location

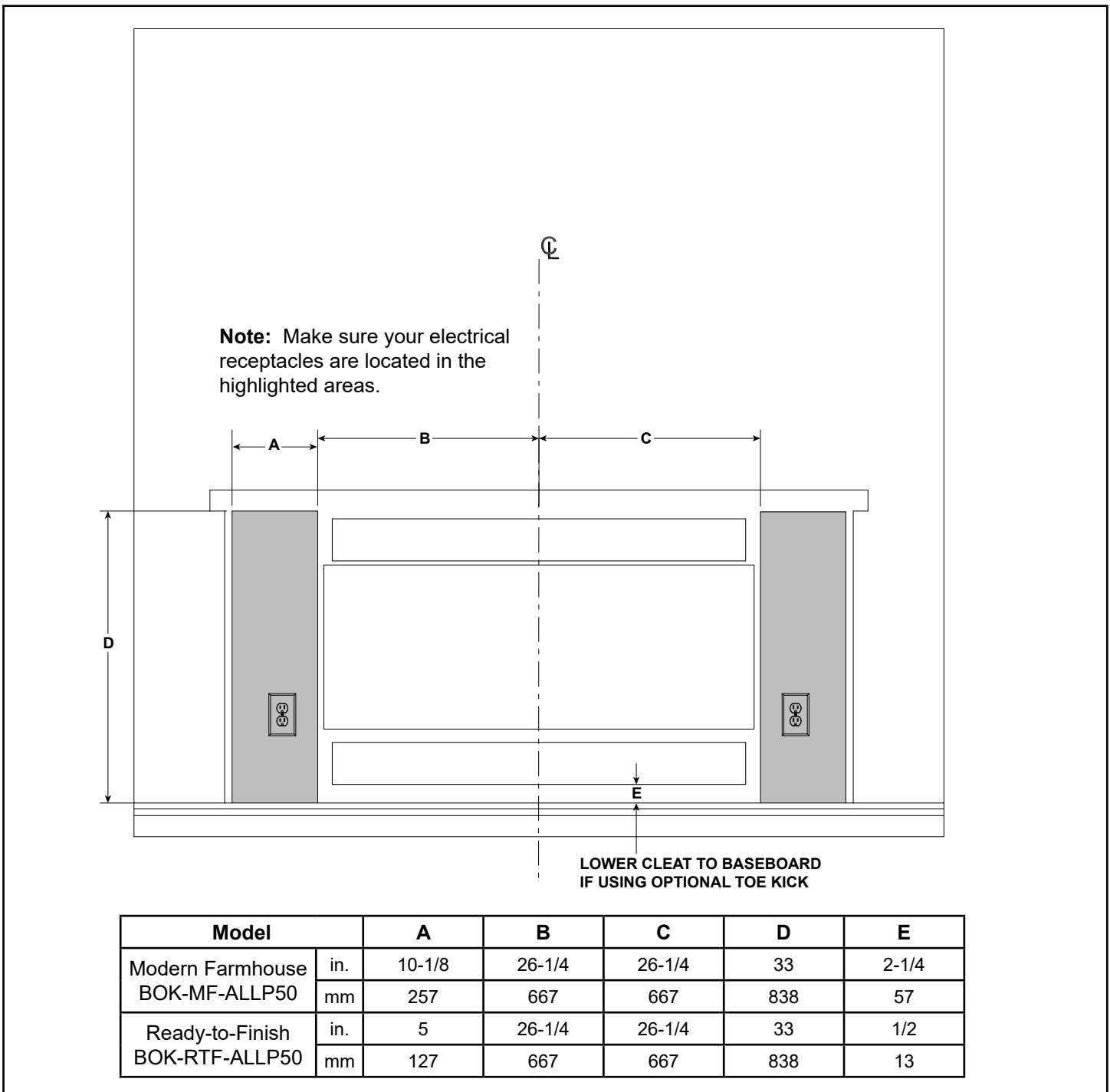


Figure 3

Preparation

Ensure the Wall at the intended installation location is flat.


Review Dimensions on Pages 3 and 4 to confirm fit and electrical receptacle location.

Ensure you have enough space to complete the Build-Out Kit assembly. A protective surface should be used as an underlayment during assembly to avoid damaging the product or finished flooring.

Before you begin, use a stud finder to mark the stud locations in the intended installation location.

If attempting to conceal an electrical receptacle refer to Figure 3.

Remove the Build-Out Kit parts and hardware from the packaging.



NOTICE:
Cutting packaging material could damage the product.

Refinishing (Optional)

Ready To Finish Model (BOK-RTF)

The Ready To Finish Model (BOK-RTF) Cabinet comes pre-primed ready to accept paint. The Ready To Finish mantel is unfinished and should be coated with the desired finishing material appropriate for a wood veneer.

Modern Farmhouse Model (BOK-MF)

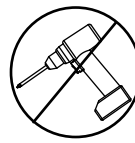
The Modern Farmhouse Model (BOK-MF) Cabinet is finished with a white final coat. The Modern Farmhouse Mantel is pre-finished. If refinishing of the mantel is desired, the following steps are recommended prior to assembling the mantel:

- Properly cover any areas of work space that you do not want to be painted.
- Lightly scuff the existing finish with 320 grit sandpaper.
- Remove dust using lint free cloth.
- For best results, apply a base coat of spray paint primer to evenly cover the mantel.
- Wait the recommended amount of time per the paint and primer instructions, then apply a spray paint top coat in the color of choice to evenly cover the mantel.
- Apply additional top coats until desired coverage is achieved.

NOTICE:

- Follow all recommended guidelines for the materials you are using.
- Do not spray paint near the appliance.
- Do not spray paint while the appliance is operating.
- Always wear appropriate gloves, eye protection, clothing and a respirator or mask when painting.
- The room or area you are spraying must be well ventilated and must be properly masked in order to preventing overspray from covering woodwork, floors or furnishings.

Assembly



NOTICE:

The use of power tools for assembly could damage the product.

Step 1

- Locate part "A" and lay face down on a protective surface.
- Install 18 Cam Pins (P) in the location shown in Figure 1. Refer to Step 1 on page 2 and Figure 4.

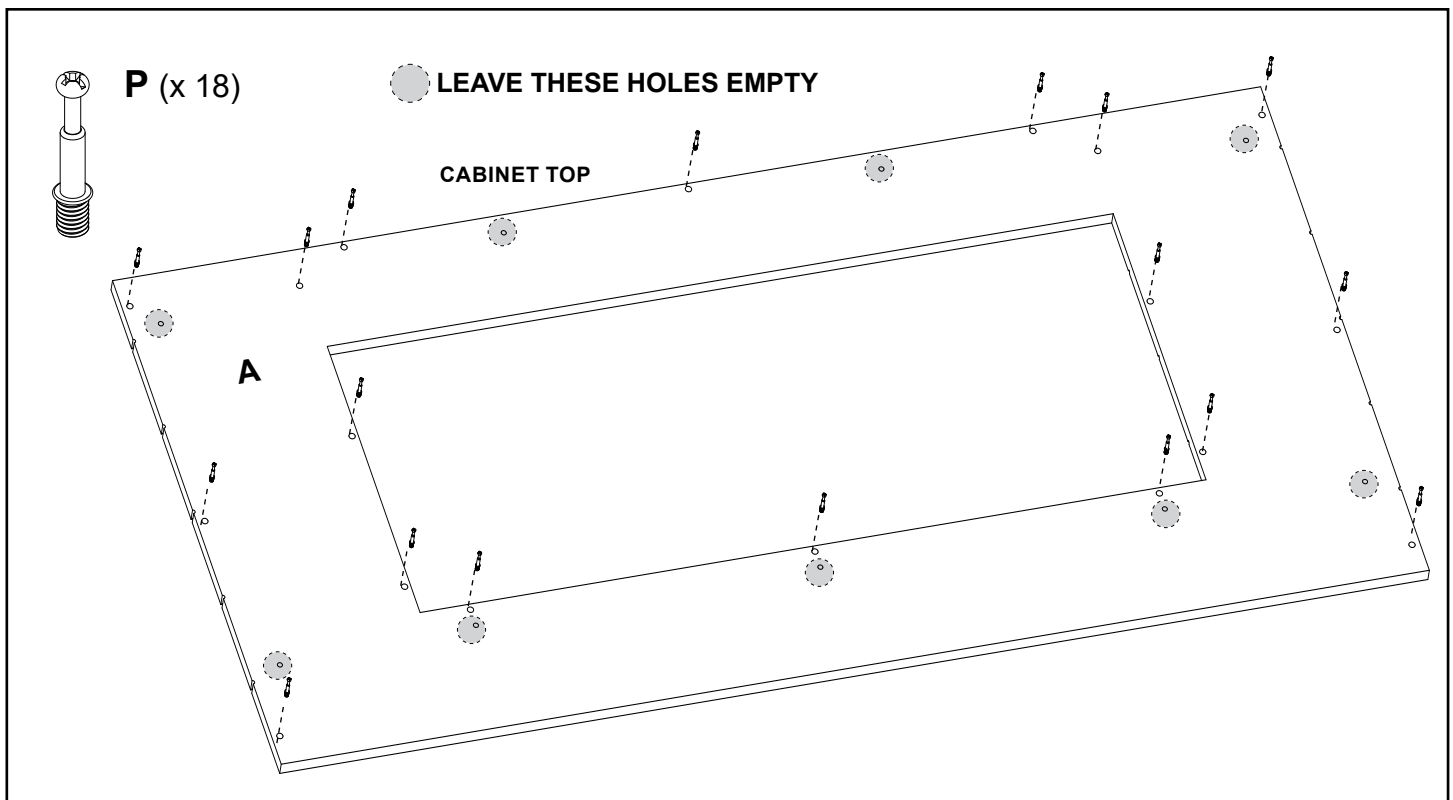


Figure 4

Step 2

- Install three (3) Cam Lock Fasteners (Q) into part “C” with the arrows in the orientation shown in Figure 5.
- Repeat this step for part “D”.

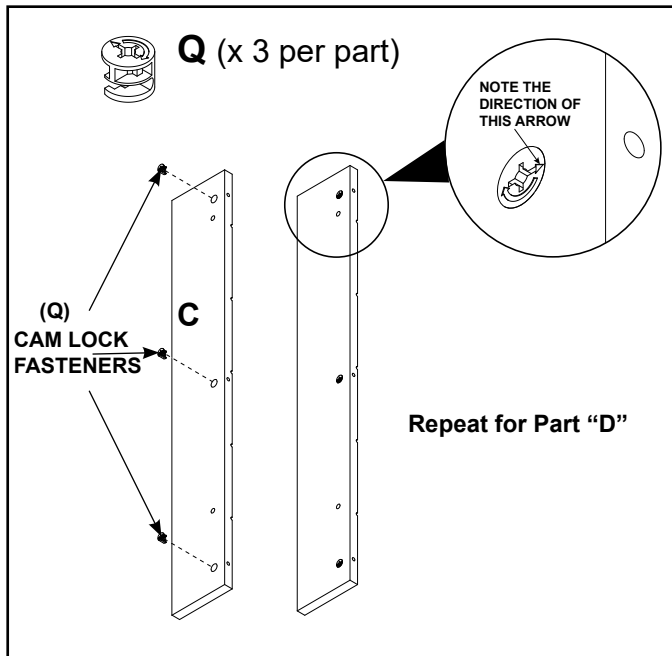


Figure 5

Step 3

- Align parts “C” and “D” onto the three (3) Cam Pins installed on each side of part “A”. See Figure 6.

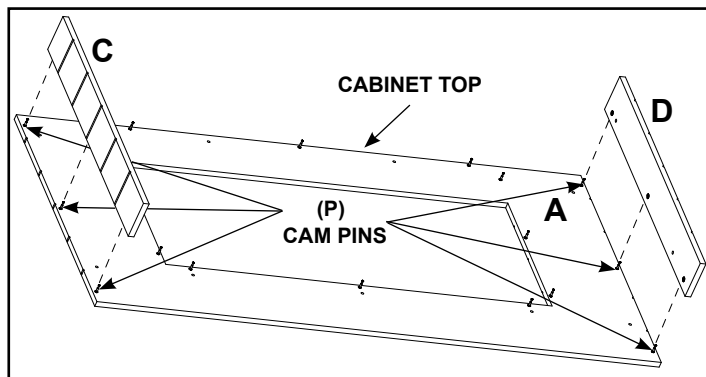


Figure 6

Step 4

- With parts “C” and “D” installed on the Cam Pins, use a Phillips screwdriver to gently rotate the Cam Lock Fasteners 1/4 turn clockwise. Do not over-tighten or over rotate, note the arrow orientation in Figure 7.

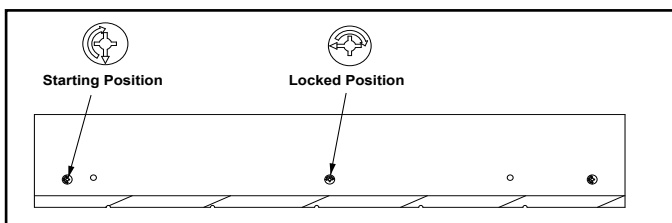


Figure 7

Step 5

- Install four (4) (V) L-Brackets using eight (8) M6 X 10 screws (S) securing parts “C” and “D” to part “A”. See Figure 8.

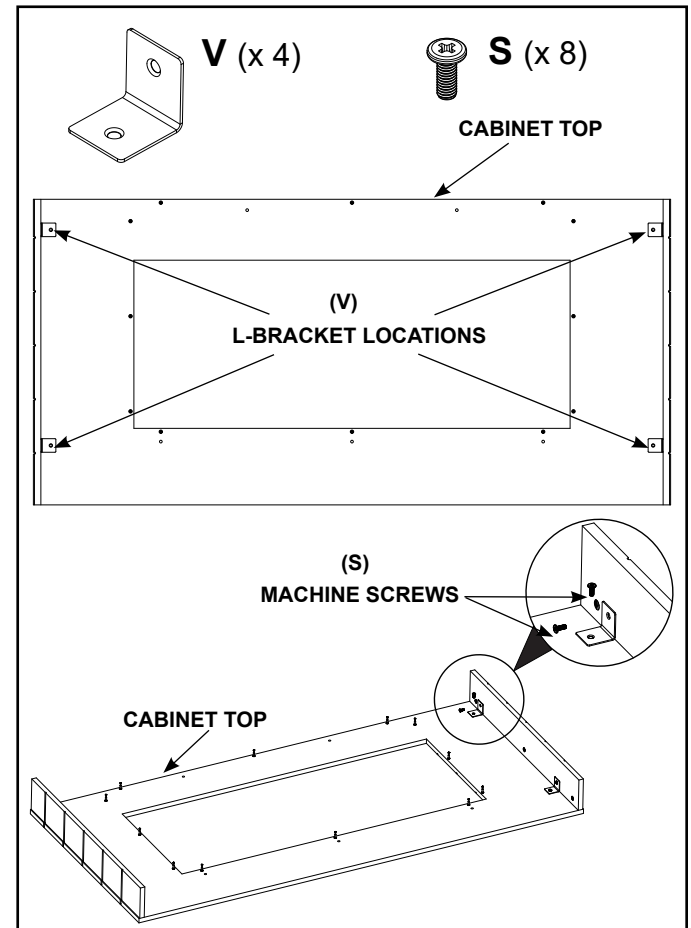


Figure 8

Step 6

- Install three (3) Cam Lock Fasteners (Q) into part “E” with the arrows in the orientation shown on page 2 and Figure 9. Repeat for part “F”.

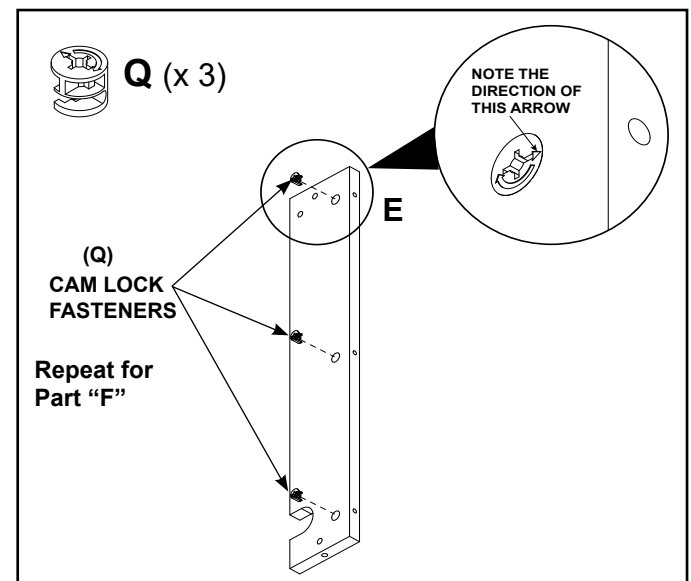


Figure 9

Step 7

- Install three (3) Barrel Nuts (R) into part “E”. See Figure 10. Repeat for part “F”.

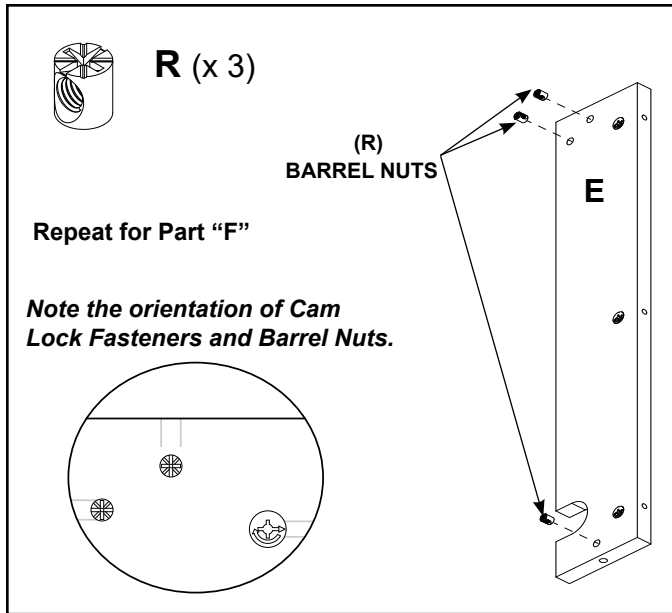


Figure 10

Step 8

- Align parts “E” and “F” onto the three (3) Cam Pins (P) installed on each side of part “A”. See Figure 11.

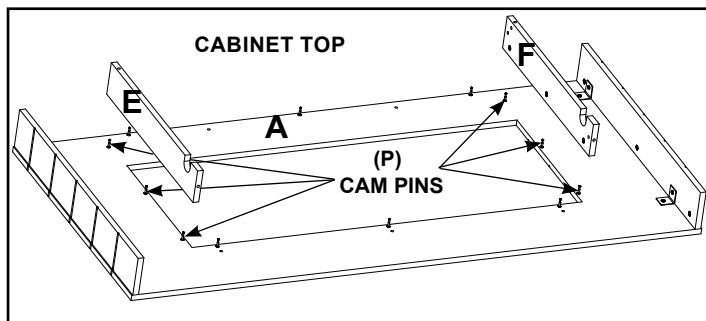


Figure 11

Step 9

- Turn each of the six (6) Cam Lock Fasteners (Q) clockwise 1/4 turn shown in Figure 12. Refer to Step 4.

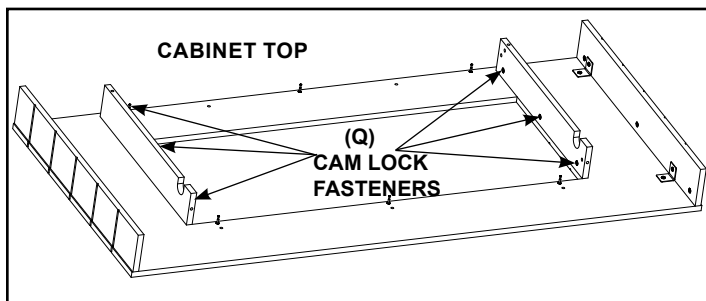


Figure 12

Step 10

- Install two (2) L-Brackets (V) using two (2) M6 X 10 screws (S) on part “G”. See Figure 13.

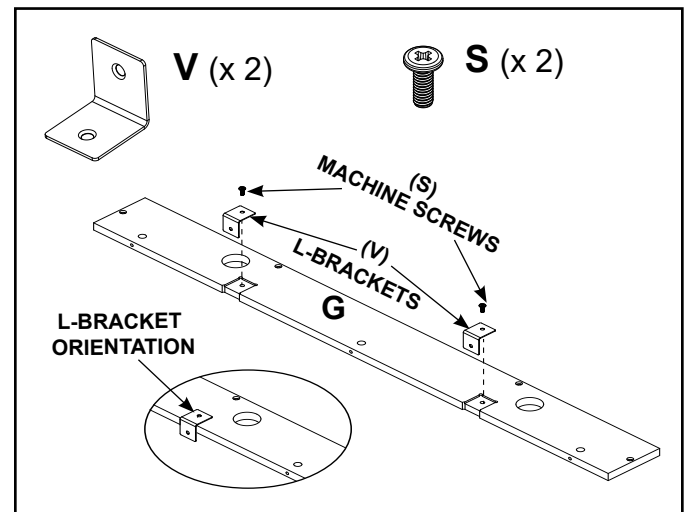


Figure 13

Step 11

- Install three (3) Cam Lock Fasteners (Q) into part “G” with the arrows in the orientation shown on page 2 and Figure 14.

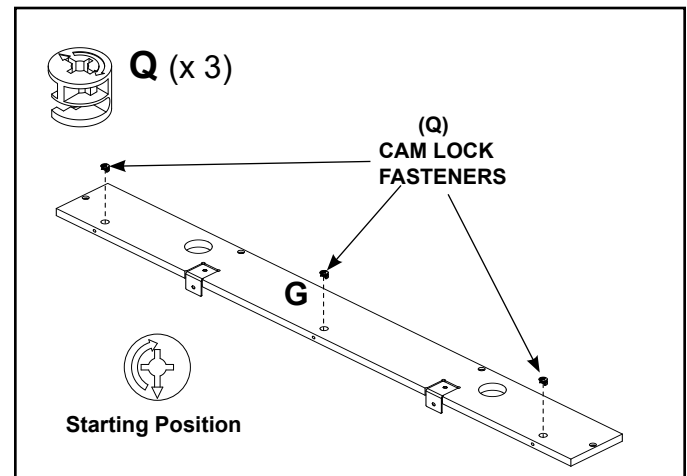


Figure 14

Step 12

- Align parts "G" onto the three (3) Cam Pins (P) installed on part "A". See Figure 15.

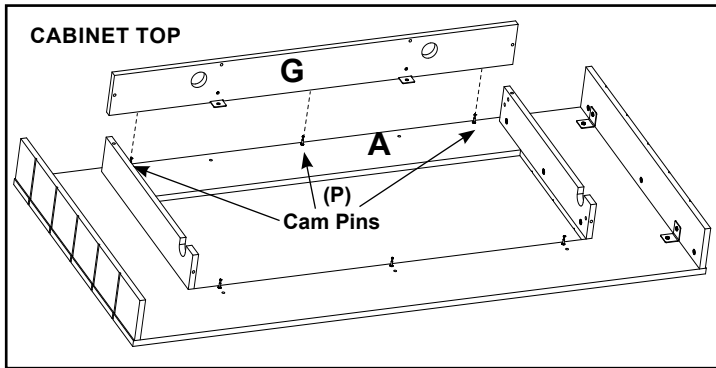


Figure 15

Step 13

- Turn each of the three (3) Cam Lock Fastener (Q) clockwise 1/4 turn. Refer to Step 4 and Figure 16.

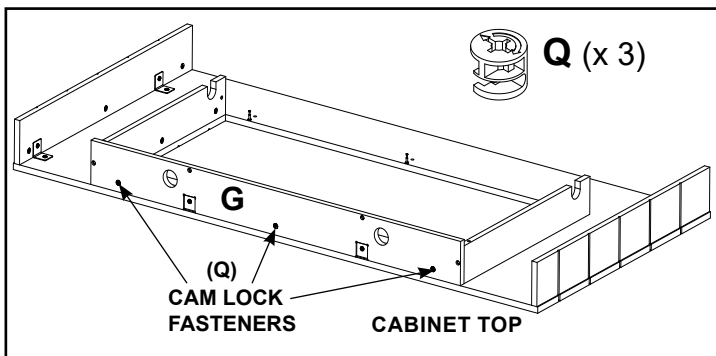


Figure 16

Step 14

- Secure part "G" to part "A" using two (2) M6 X 10 screws (S) and two (2) L-Brackets (V). See Figure 17.

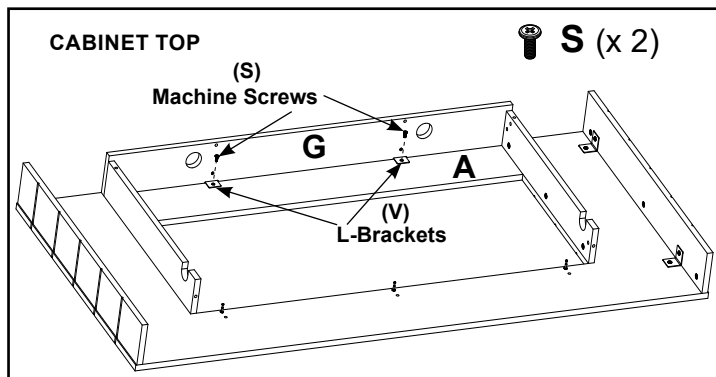


Figure 17

Step 15

- Secure part "G" to parts "E" and "F" using M6 x 45 Machine Screws (U). See Figure 18.

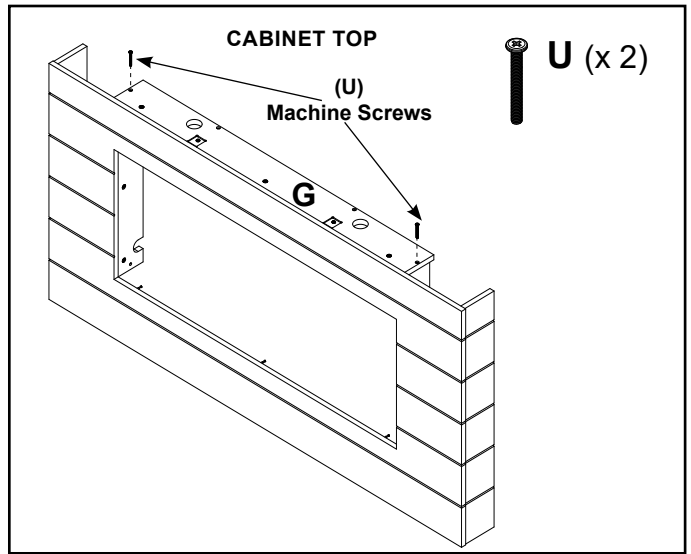


Figure 18

Step 16

- Secure part "H" to parts "E" and "F" using M6 x 45 Machine Screws (U). See Figure 19.

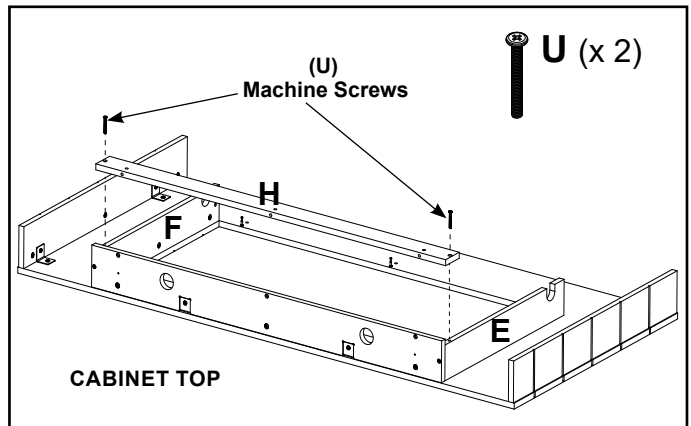


Figure 19

Step 17

- Install three (3) Barrel Nuts (R) into part "H" with the arrows in the orientation shown on page 2 and Figure 20.

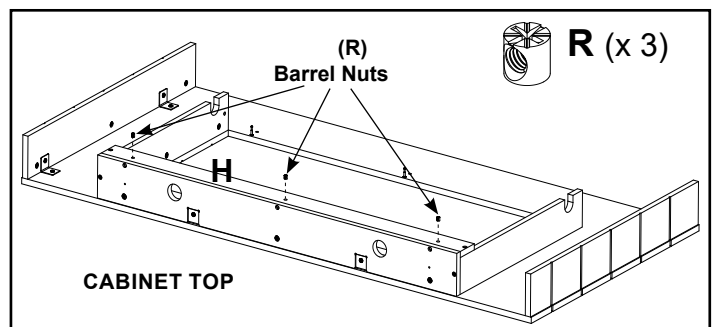


Figure 20

Step 18

- Secure part "H" to part "G" using three (3) M6 x 45 Machine Screws (U). See Figure 21.

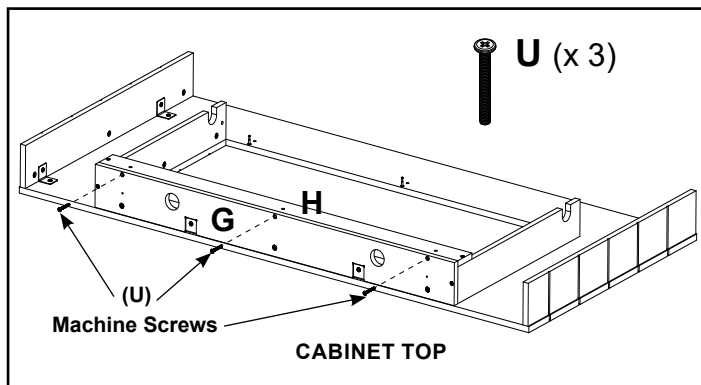


Figure 21

Step 19

- Align part "I" onto the three (3) Cam Pins (P) installed in part "A". See Figure 19.

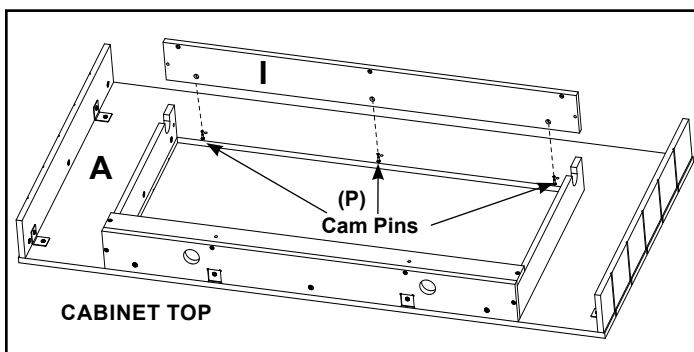


Figure 22

Step 20

- Install three (3) Cam Lock Fasteners (Q) into part "I" with the arrows in the orientation shown on page 2 and Figure 23.
- Turn each of the three (3) (Q) Cam Lock Fasteners (Q) clockwise 1/4 turn. Refer to Step 4 and Figure 23.

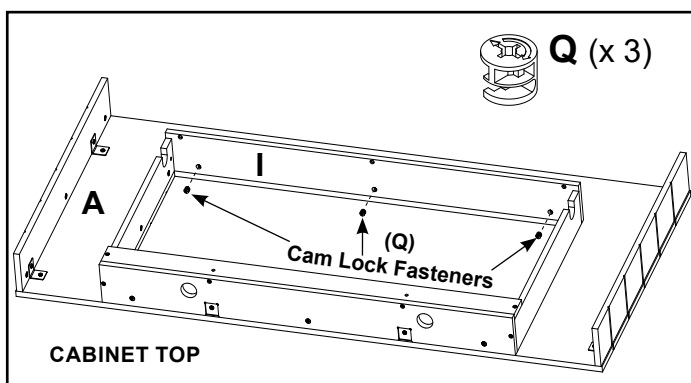


Figure 23

Step 21

- Secure part "I" to parts "E" and "F" using two (2) M6 x 45 Machine Screws (U). See Figure 24.

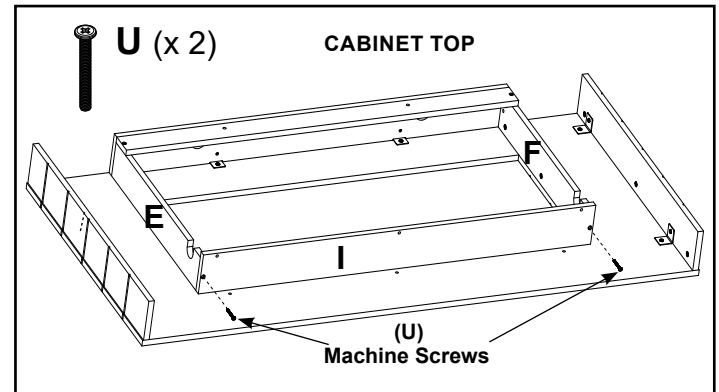


Figure 24

Step 22

- Secure part "N" to part "I" using M6 x 25 Machine Screws (T). See Figure 25.

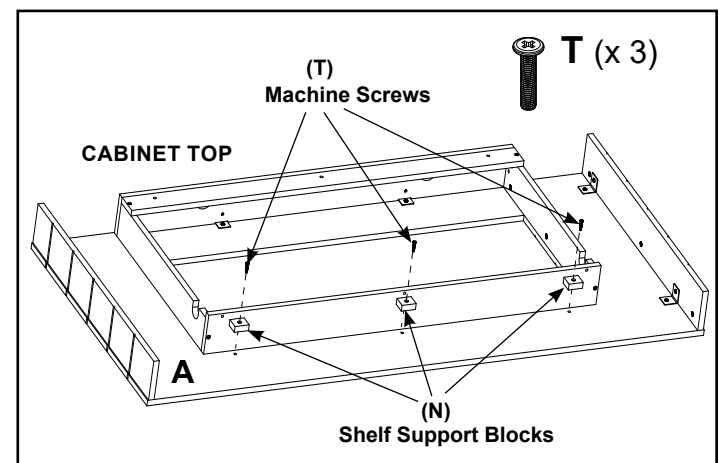


Figure 25

Step 23

- Install three (3) Barrel Nuts (R) into part "J" with the arrows in the orientation shown on page 2 and Figure 26.

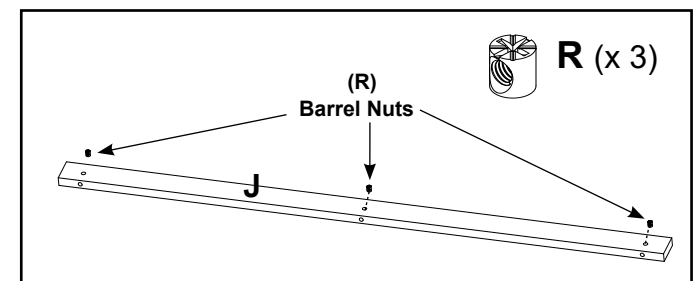


Figure 26

Step 24

- Secure part "J" to part "I" using three (3) M6 x 45 Machine Screws (U). See Figure 27.

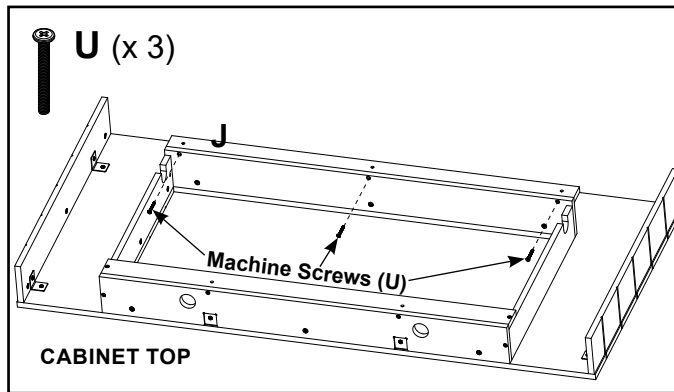


Figure 27

Step 25

- Secure part "K" (x 2) to part "B" using two (2) Construction Screws (W) on each side. See Figure 28.

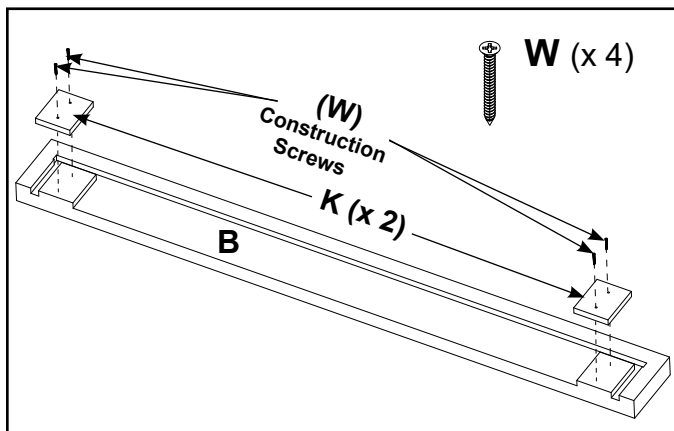


Figure 28

Step 26

- Install four (4) Cam Pins (P) onto part "L" in the locations shown in Figure 29. Refer to Step 1 on page 2.

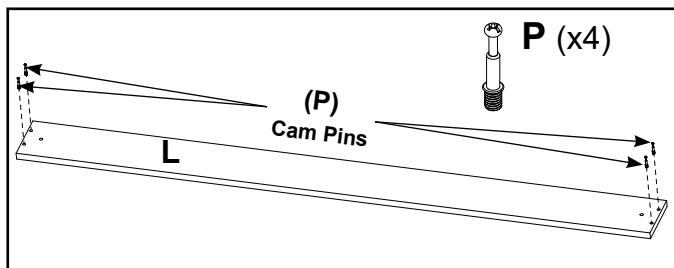


Figure 29

Step 27

- Install two (2) Cam Lock Fasteners (Q) into each part "M" with the arrows in the orientation shown on page 2 and Figure 30.
- Align left and right parts "M" onto the Cam Pins installed on part "L". See Figure 30.
- Turn each of the four (4) Cam Lock Fasteners (Q) clockwise 1/4 turn. Refer to Step 4 and Figure 30.

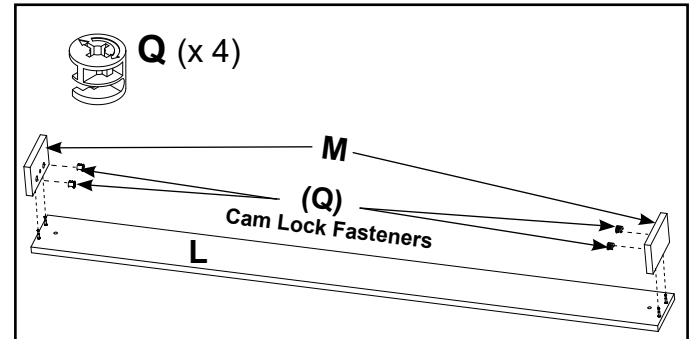


Figure 30

Step 29

- Install two (2) L-Brackets (V) using two (2) M6 X 10 screws (S) on part "L". Secure two (2) L-Brackets (V) using two (2) M6 X 10 screws (S) to part "M" on each side. See Figure 31.

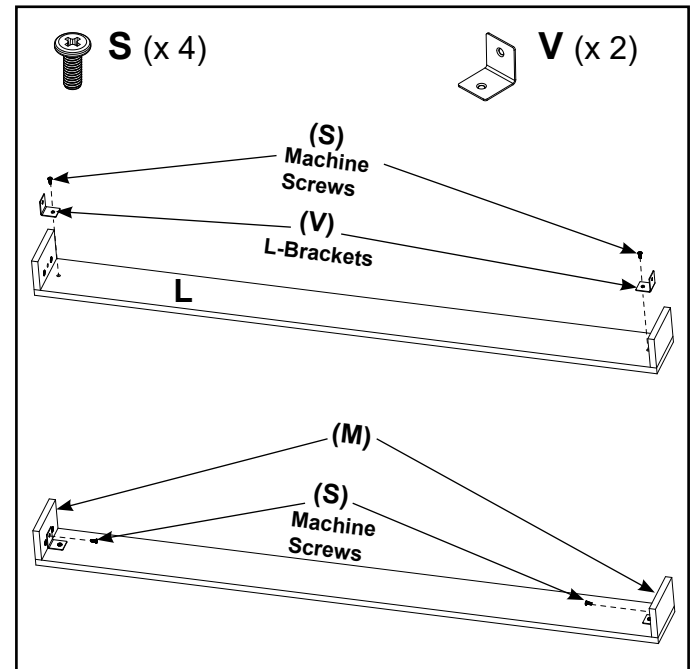


Figure 31

Wall Cleat Installation:

The location of the wall cleats determine the final height and location of the Build-Out Kit. Refer to product dimensions on page 3 and 4 to assist in locating the wall cleats.

Accommodating Baseboard Trim

If installing over an existing baseboard with the use of the toe kick, the lower wall cleat should be positioned 1/2 in. (BOK-RTF model) or 2-1/4 in. (BOK-MF model) above the baseboard. See Figure 32.

Locate and mark the location of the wall studs. Place the lower wall cleat against the wall and ensure it is level.

Warning: Use caution to avoid any in-wall utilities.

Noting the location of the studs, pre-drill (5/32) holes at three stud locations. Transfer the stud spacing marks to each cleat and pre-drill a 5/32 in. hole at three stud locations in the lower thicker section of each of the cleats.

With pilot holes drilled through position the lower cleat against the wall in its final location, using the drill bit transfer the pilot hole locations to the wall 5/32 in. Pilot holes should be drilled 2 in. into the wall.

Use either a Phillips or 10 mm hex driver to secure the wall cleat to the wall to three (3) studs using three (3) M6x100 Lag Screws (X) into each cleat.

Repeat this process for the upper wall cleat. Locate it vertically aligned from the lower wall cleat with 26-3/4 in. between the bottom of the lower wall cleat and the bottom of the upper wall cleat.

Each Cleat should be installed using three (3) M6x100 lag screws (X).

Toe Kick Placement (Optional)

The optional floating toe kick is designed to accommodate a baseboard up to 5-1/2 in. tall and up to 3/4 in. thick.

If applicable, place the assembled toe kick against the wall / baseboard centering it with the desired final location of the Build-Out Kit. The toe kick will be captured by the cabinet assembly without further fasteners once installed.

Hanging Cabinet Assembly

Place the main cabinet assembly of the Build-Out Kit against the wall, centering it around the installed wall cleats. Slide the cabinet assembly down until the ledgers (parts H & J) are fully seated into the wall cleats. See Figure 32.

Note: Take special care not to scuff any existing wall paint as you slide the cabinet into the wall cleats. Avoid scuffing by placing painters tape on the wall in the exposed locations that the cabinet will make contact, behind the edges of the sides and area above the top wall cleat.

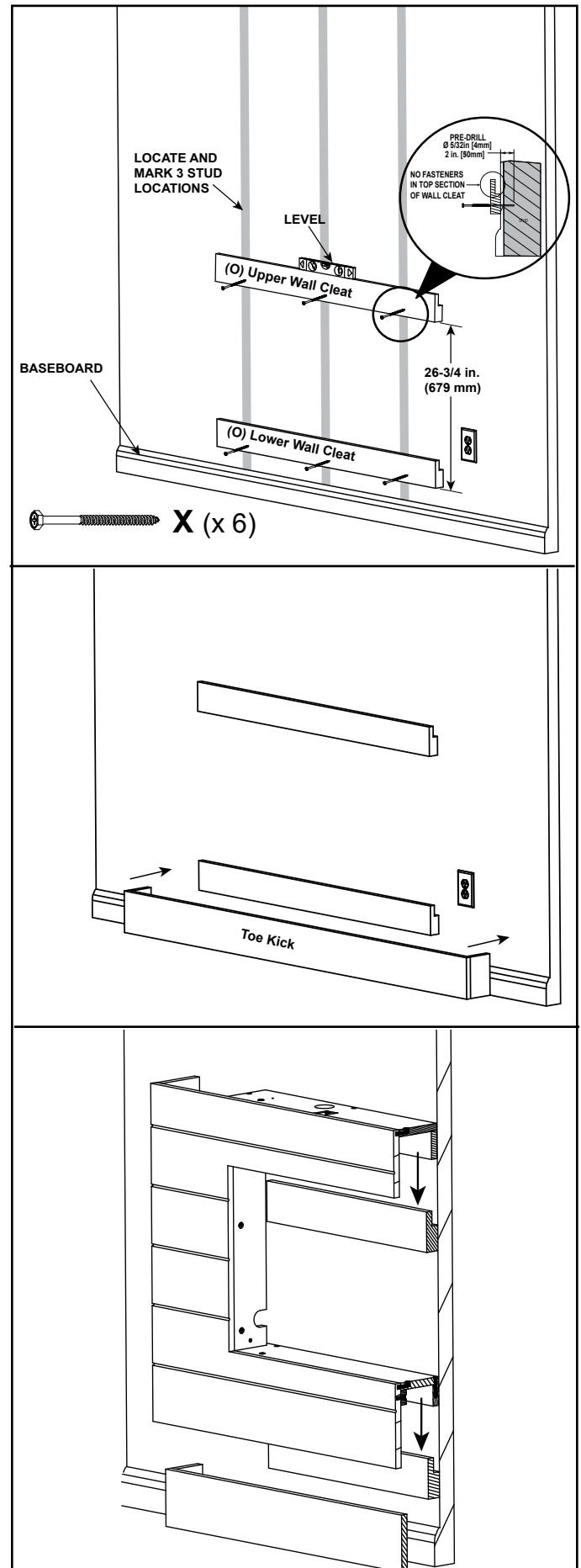


Figure 32

Note: Depending on the outlet or hardwire location, the appliance wiring may need to be completed prior to installing the mantel shelf and appliance. The appliance power cord may be routed through the U-shaped notch on parts E or F of the cabinet assembly to access a outlet receptacle that is to be hidden behind the Build-Out Kit.

Place the mantel shelf assembly (parts B & K) in place on top of the cabinet assembly. See Figure 30.

The mantel shelf may be secured with two (2) Construction screws (W) from the inside of the appliance cavity of the cabinet. There are two pilot holes located in the inner top (part "G"). See Figure 31.

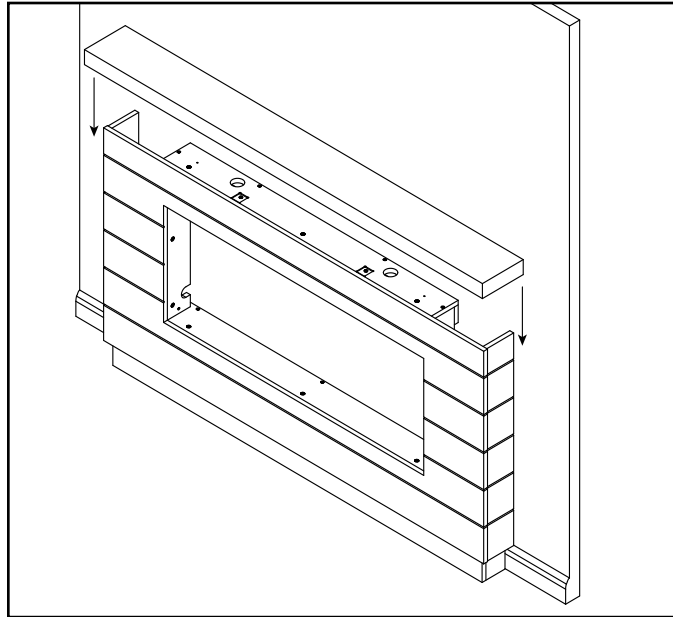


Figure 30

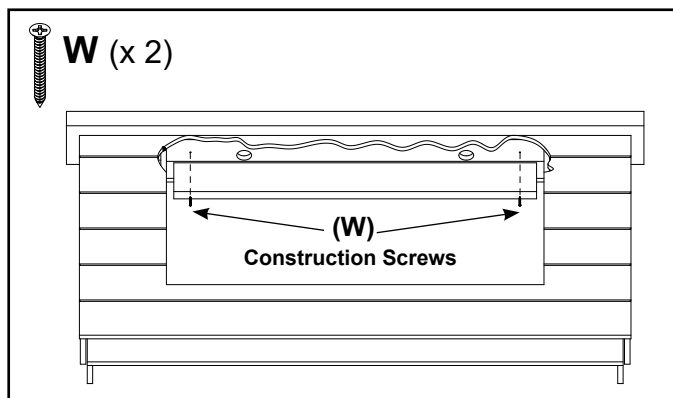


Figure 31

Appliance Installation

Follow the appliance installation instructions included with the appliance to mount the appliance into the cavity of the Build-Out Kit cabinet. Once the appliance is wired, level and plum with the cabinet, secure it via the appliance mounting locations with the four (4) construction screws (W) included with the appliance. See Figure 32.

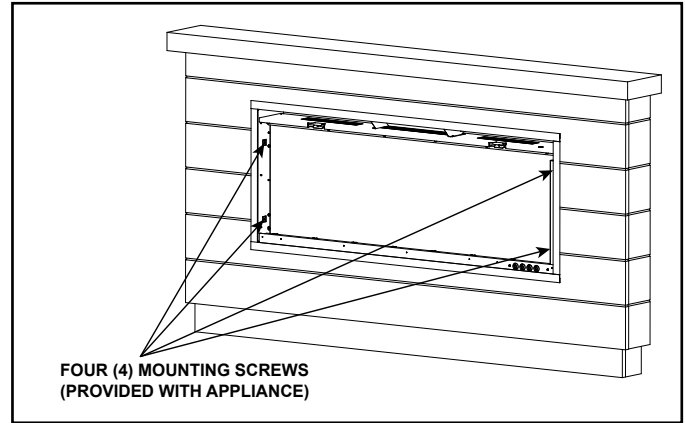


Figure 32

Service and Maintenance

To clean Build-Out Kit surface, use clean damp cloth and wipe dry.

Replacement Parts

DESCRIPTION	KIT SKU	REPLACEMENT PART
Mantel Shelf (B)	BOK-MF-ALLP50	BOK-MF-MANTEL
	BOK-RTF-ALLP50	BOK-RTF-MANTEL
Hardware Kit	BOK-MF-ALLP50	BOK-HRDW
	BOK-RTF-ALLP50	
Mantel Sides (D, C)	BOK-MF-ALLP50	BOK-MF-SIDES
	BOK-RTF-ALLP50	BOK-RTF-SIDES