



# Trim Kit Installation Instructions

Model: AVFL42TKI-B, AVFL48TKI, AVFL60TKI-B

**WARNING:** Turn off appliance and allow to cool completely before beginning installation

The AVFL42TKI-B, AVFL48TKI and AVFL60TKI-B trim kits are designed for the following appliances: AVFL42N(P) IP-RB, AVFL42N(P)IP-BU, AVFL48N(P)IP, AVFLST48N(P) IP and AVFL60N(P)IP-B (install correct trim kit size to appliance size). The trim kits should be used with Install Option #2 of the AVFL Installation Manual on page 34.

Read these instructions thoroughly before beginning installation.

## KIT CONTENTS:

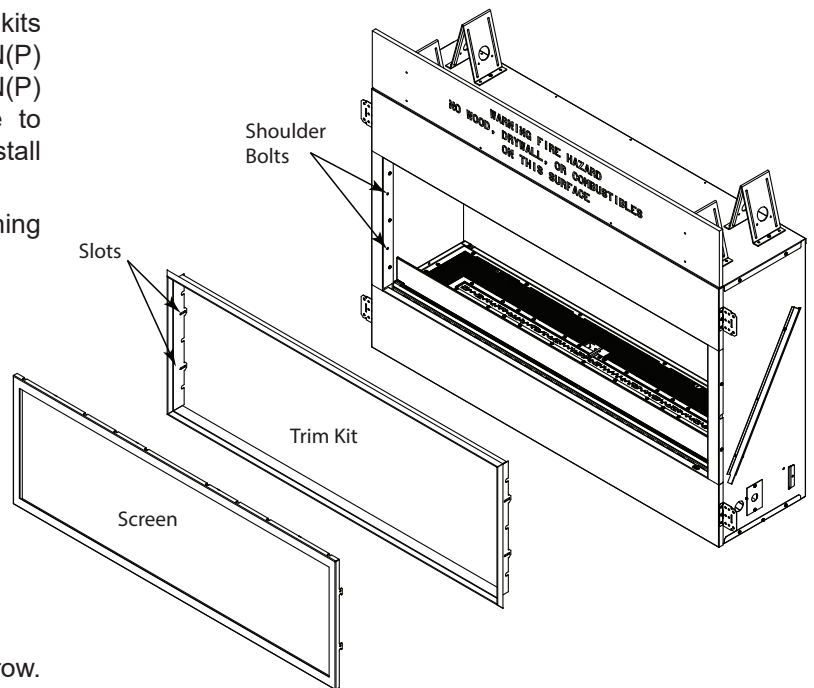
- Trim kit frame

## TOOLS REQUIRED:

- Phillips screwdriver

## INSTALLATION INSTRUCTIONS:

1. Remove screen from appliance.
2. Remove the four shoulder bolts (2 on each side).
3. Remove and save the screws holding the eyebrow. Remove and discard the eyebrow. Replace the screws that held the eyebrow.
4. Place the trim frame over the face of the appliance.
5. Align the two slots with the two holes on each side.
6. Secure in place with the shoulder bolts previously removed (two (2) on each side.)
7. Place the screen back into place by aligning the screen frame hooks with the shoulder bolts.



Monessen, a brand of Hearth & Home Technologies  
7571 215<sup>th</sup> Street West, Lakeville, MN 55044  
[www.monessenhearth.com](http://www.monessenhearth.com)