



Contemporary Face Installation Instructions

Model: Veined Copper: AVFL42CFVC, AVFL48CFVC, AVFL60CFVC-B

Black: AVFL42CFSB, AVFL48CFSB, AVFL60CFSB

WARNING: Turn off appliance and allow to cool completely before beginning installation.

The AVFL42CFVC, AVFL42CFSB, AVFL48CFVC, AVFL48CFSB, AVFL60CFVC-B and AVFL60CFSB contemporary faces are designed for the following appliances: AVFL42N(P)IP-RB, AVFL42N(P)IP-BU, AVFL48N(P)IP, AVFLST48N(P)IP and AVFL60N(P)IP-B (install correct face size to appliance size). The fronts are available in Black and Veined Copper and should be used with Install Option #2 of the AVFL Installation Manual on page 34.

Read these instruction thoroughly before beginning installation.

KIT CONTENTS:

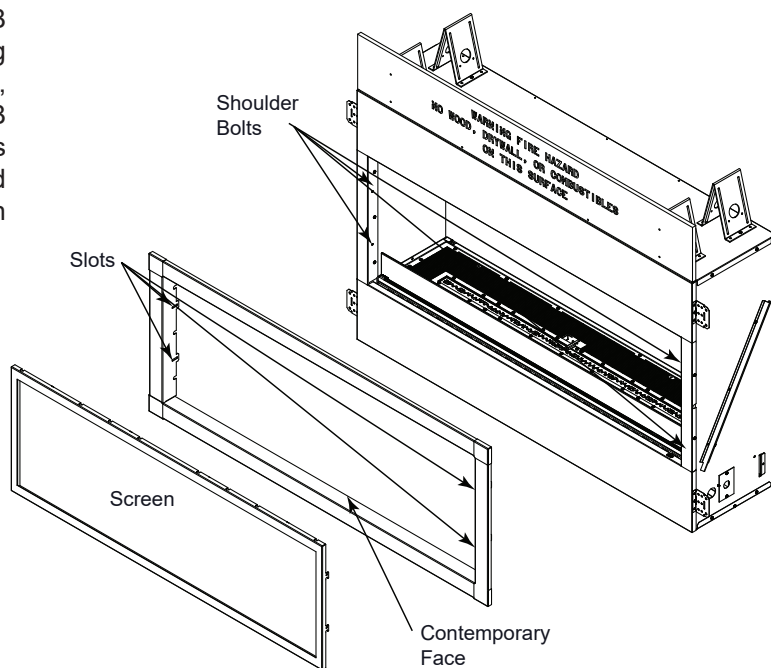
- Contemporary Face

TOOLS REQUIRED:

- Phillips screwdriver

INSTALLATION INSTRUCTIONS:

1. Remove screen from appliance.
2. Remove the four (4) shoulder bolts (2 on each side).
3. Remove and save the screws holding the eyebrow. Remove and discard the eyebrow. Replace the screws that held the eyebrow.
4. Place the contemporary face over the face of the appliance.
5. Align two (2) slots with the two (2) screw holes on each side.
6. Secure in place with the shoulder bolts previously removed included (two (2) on each side.)
7. Place the screen back into place by aligning the screen frame hooks with the shoulder bolts.



Monessen, a brand of Hearth & Home Technologies
7571 215th Street West, Lakeville, MN 55044
www.monessenhearth.com