

Vented Series: 040, 045

Unvented Series: 140, 145

Complies with:
 ANSI Z21.97/CSA 2.41 for
 outdoor decorative gas
 appliances
 (when installed with select
 R.H.P. Vented/Unvented
 Gas Appliances)



⚠ WARNING: For Outdoor Use Only.
 Installation and service must be performed by an
 NFI certified or other qualified installer, service
 agency, or the gas supplier.

CONTRACTOR'S MODEL (WITH MOULDING) OUTDOOR FIREPLACES

⚠ DANGER
FIRE OR EXPLOSION HAZARD

If you smell gas:

- Shut off gas to the appliance.
- Extinguish any open flame.
- If odor continues, leave the area immediately.
- After leaving the area, call your gas supplier or fire department.

Failure to follow these instructions could result in fire or explosion, which could cause property damage, personal injury, or death.

⚠ WARNING

Do not store or use gasoline, or other flammable vapors and liquids, in the vicinity of this or any other appliance.

A LP- cylinder not connected for use shall not be stored in the vicinity of this or any other appliance.

⚠ WARNING: If the information in this manual is not followed exactly, a fire or explosion may result causing property damage, personal injury, or loss of life.

⚠ DANGER

CARBON MONOXIDE HAZARD



A vented gas appliance can produce carbon monoxide which has no odor.

Using it in an enclosed space can kill you.

Never use the appliance in an enclosed space such as a camper, tent, car, or home.

INSTALLER: Leave this manual with the unit.
CONSUMER: Retain this manual for future reference.

Important: Read these instructions carefully before starting installation of the unit.

⚠ WARNING

Improper installation, adjustment, alteration, service, or maintenance can cause property damage, personal injury, or loss of life. Read the installation, operating and maintenance instructions thoroughly before installing or servicing this equipment.

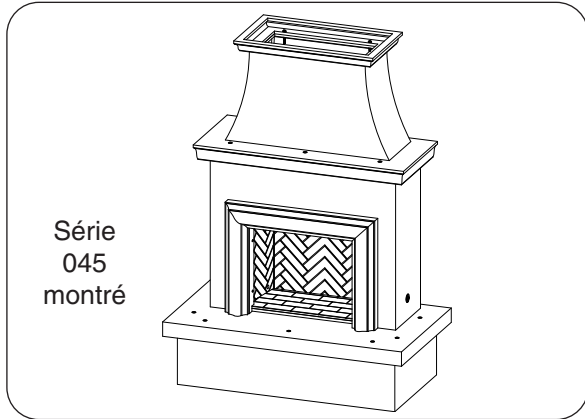
The R.H.P. gas appliance is designed as an **attended appliance**. **DO NOT** leave the appliance burning when unattended.

IMPORTANT

For safe operation and proper performance of this product and to comply with certification, listings, and building code acceptances, use ONLY R.H.P. controls, parts, decorative media, and accessories that have been specifically listed or certified for use with this fireplace. Use of other controls, parts, or accessories is prohibited and will void all warranties, certifications, listings, and building code approvals, and may cause property damage, personal injury, and loss of life.

CODE AND SUPPLY REQUIREMENTS:

The gas installation must conform with local codes and ordinances, or, in the absence of local codes, with the latest *National Fuel Gas Code, ANSI Z223.1*.



Série
045
montré

Ventilé Série: 040, 045
Non Ventilé Série: 140, 145

Conforme à:
ANSI Z21.97/CSA 2.41 pour
l'extérieur des appareils à gaz
décoratifs
(lorsqu'il est installé avec
sélection R.H.P. Ventilé / non
ventilé les appareils à gaz)



⚠ AVERTISSEMENT: pour usage extérieur uniquement. L'installation et l'entretien doivent être effectués par un installateur certifié NFI ou par un autre installateur qualifié, une agence de service ou le fournisseur de gaz.

CONTRACTOR'S MODÈLE (AVEC MOULURE) CHEMINÉES D'EXTÉRIEUR

⚠ DANGER
RISQUE D'INCENDIE OU D'EXPLOSION

Si vous sentez du gaz:

- Coupez le gaz à l'appareil.
- Éteignez toute flamme nue.
- Si l'odeur persiste, quittez immédiatement la zone.
- Après avoir quitté la zone, appelez votre fournisseur de gaz ou le service d'incendie.

Le non-respect de ces instructions peut entraîner un incendie ou une explosion, ce qui pourrait provoquer des dommages matériels, des blessures corporelles ou la mort.

⚠ AVERTISSEMENT

Ne pas stocker ni utiliser d'essence ou d'autres vapeurs et liquides inflammables à proximité de cet appareil ou de tout autre appareil. Une bouteille LP non connectée pour utilisation ne doit pas être stockée à proximité de cet appareil ou de tout autre appareil.

⚠ AVERTISSEMENT: si les informations contenues dans ce manuel ne sont pas suivies à la lettre, un incendie ou une explosion peut en résulter, causant des dommages matériels, des blessures corporelles ou la mort.

⚠ DANGER

RISQUE DE MONOXYDE DE CARBONE

Un appareil à gaz ventilé peut produire du monoxyde de carbone sans odeur. L'utiliser dans un espace clos peut vous tuer.

N'utilisez jamais l'appareil dans un espace clos tel qu'un camping-car, une tente, une voiture ou une maison.



INSTALLATEUR: Laissez ce manuel avec l'appareil.
CONSOMMATEUR: Conservez ce manuel pour référence future.

Important: Lisez ces instructions soigneusement avant de commencer l'installation de l'unité.

⚠ AVERTISSEMENT

L'installation, l'ajustement, le changement, le service, ou l'entretien inexact peuvent causer des dégâts matériels, le dommage corporel, ou des pertes humaines. Lisez l'installation, l'opération et les instructions d'entretien complètement avant d'installer ou entretenir cet équipement.

Le R.H.P. L'appareil à gaz est conçu comme un appareil surveillé. Ne laissez pas cet appareil brûler sans surveillance.

IMPORTANT

Pour un fonctionnement en toute sécurité et le bon fonctionnement de ce produit et pour se conformer aux certifications, listes et acceptations des codes du bâtiment, utilisez **UNIQUEMENT** les commandes, pièces, supports décoratifs et accessoires R.H.P. spécialement répertoriés ou certifiés pour être utilisés avec ce cheminée. L'utilisation d'autres commandes, pièces, ou accessoires est interdite et videra toutes les garanties, certifications, listes, et approbations de codes du bâtiment, et peut causer des dégâts matériels, le dommage corporel, et des pertes humaines.

CONDITIONS DE CODE ET D'APPROVISIONNEMENT:

L'installation de gaz doit être conforme aux codes et règlements locaux, ou, en l'absence de codes locaux, au dernier National Fuel Gas Code, ANSI Z223.1.

PROPANE GAS CYLINDER WARNING (IF APPLICABLE)

**⚠ DANGER: FLAMMABLE GAS UNDER PRESSURE.
LEAKING LP-GAS MAY CAUSE A FIRE OR EXPLOSION IF IGNITED
CAUSING SERIOUS BODILY INJURY OR DEATH.
CONTACT LP GAS SUPPLIER FOR REPAIRS, OR DISPOSAL OF THIS
CYLINDER OR UNUSED LP-GAS.**

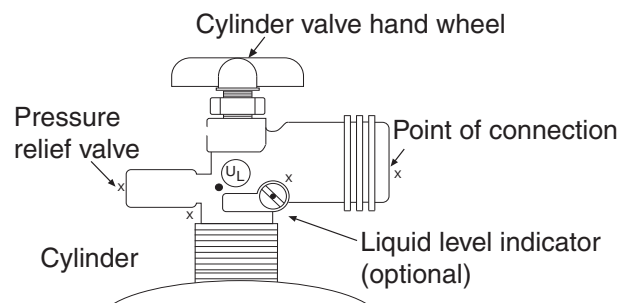
**⚠ WARNING: FOR OUTDOOR USE ONLY.*
DO NOT USE OR STORE CYLINDER IN A BUILDING,
GARAGE OR ENCLOSED AREA.**

⚠ WARNING:

- Know the odor of LP-gas. If you hear, see or smell leaking LP-gas, immediately get everyone away from the cylinder and call the Fire Department. Do not attempt repairs.
- Caution your LP-gas supplier to:
 - Be certain cylinder is purged of trapped air prior to first filling.
 - Be certain not to over fill the cylinder.
 - Be certain cylinder requalification date is checked.
- LP-gas is heavier than air and may settle in low places while dissipating.
- Contact with the liquid contents of cylinder will cause freeze burns to the skin.
- Do not allow children to tamper or play with cylinder.
- When not connected for use, keep cylinder valve turned off. Self contained appliances shall be limited to a cylinder of 20 lb capacity or less.
- Do not use, store or transport cylinder where it would be exposed to high temperatures. Relief valve may open allowing a large amount of flammable gas to escape.
- When transporting, keep cylinder secured in an upright position with cylinder valve turned off.

WHEN CONNECTING FOR USE:

- Use only in compliance with applicable codes.
- Read and follow all labels on the cylinder.
- Read and follow manufacturer's instructions.
- Consult manufacturer's instructions concerning the cylinder connection provided with your appliance.
- Be sure regulator vent is not pointing up.
- Turn off all valves on the appliance.
- Do not check for gas leaks with a match or open flame. Apply soapy water at areas marked "X". Open cylinder valve. If bubble appears, close valve and have LP-gas service person make needed repairs. Also, check appliance valves and connections to make sure they do not leak before lighting appliance.
- Light appliance(s) following manufacturer's instructions.
- When appliance is not in use, keep the cylinder valve closed.



**DO NOT REMOVE, DEFACE, OR OBLITERATE THE LABEL ON THE CYLINDER
* EXCEPT AS AUTHORIZED BY ANSI/NFPA 58.**

⚠ DANGER. Do not store a spare LP cylinder under or near this or any appliance or other heat sources. NEVER fill an LP cylinder beyond 80% full: a fire causing death or serious injury may occur.

**IN ADDITION TO THIS PAGE, FOLLOW ALL INFORMATION IN THIS MANUAL REGARDING
PROPANE CYLINDERS, AND FOLLOW ALL LABELS ON THE CYLINDER.**

AVERTISSEMENT DE CYLINDRE DE GAZ PROPANE (LE CAS ÉCHÉANT)

⚠ DANGER: Gaz inflammable sous pression. Une fuite de GPL peut causer un incendie ou une explosion s'enflammée entraînant des blessures corporelles graves ou la mort. Communiquer avec le fournisseur de GPL pour les réparations ou pour disposer de cette bouteille ou du GPL non utilisé.

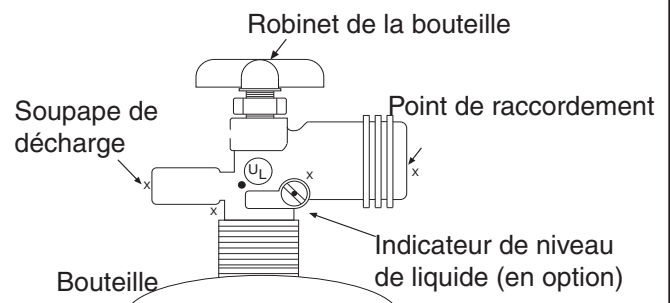
⚠ AVERTISSEMENT: Pour usage à l'extérieur seulement. *Ne pas utiliser ni entreposer la bouteille dans un bâtiment, un garage ou un endroit fermé.

⚠ AVERTISSEMENT:

- Apprenez à reconnaître l'odeur du GPL. Si vous entendez, voyez ou sentez une fuite de GPL, éloignez immédiatement toutes les personnes de la bouteille et appelez le service d'incendie. Netentez aucune réparation.
- Avertissement pour le fournisseur de GPL:
Assurez-vous que la bouteille a été purgée de tout l'air avant de procéder au remplissage initial. Assurez-vous de ne pas trop remplir la bouteille. Assurez-vous que la date de requalification de la bouteille a été vérifiée.
- Le GPL est plus lourd que l'air et peut se déposer près du sol avant de se dissiper
- Le contact avec le contenu liquide de la bouteille peut causer des brûlures à la peau par le froid.
- Ne pas permettre aux enfants de jouer avec la bouteille.
- Si la bouteille n'est pas raccordée pour utilisation, s'assurer que le robinet est fermé. Les bouteilles des appareils autonomes de cuisson en plein air doivent être limitées à une capacité d'au plus 20 lb.
- Ne pas utiliser, entreposer ni transporter une bouteille si elle risque d'être exposée à des températures élevées. La soupape de décharge pourrait s'ouvrir et libérer une grande quantité de gaz inflammable.
- Lors du transport, sécuriser la bouteille en position debout et s'assurer que le robinet est fermé.

Lors du raccordement pour utilisation :

- Utilisez uniquement conformément aux codes en vigueur.
- Lisez et suivez toutes les étiquettes sur le cylindre.
- Lisez et suivez les instructions du fabricant
- Consultez les instructions du fabricant visant le raccordement de la bouteille fournie avec l'appareil.
- Assurez-vous que l'évent du régulateur n'est pas dirigé vers le haut.
- Fermez tous les robinets sur l'appareil.
- Ne pas utiliser d'allumette ou de flamme nue pour vérifier la présence d'une fuite de gaz. Appliquez une solution d'eau savonneuse sur les zones marquées d'un « X ». Ouvrir le robinet de la bouteille. Si des bulles se forment, fermez le robinet et demandez à une personne qualifiée pour l'entretien d'appareils au GPL de faire les réparations requises. Avant d'allumer l'appareil, vérifiez aussi les robinets et les raccordements de l'appareil afin de vous assurer qu'il n'y a pas de fuite.
- Allumez l'appareil selon les instructions du fabricant.
- Lorsque vous n'utilisez pas l'appareil, gardez le robinet de la bouteille fermé.



NE PAS RETIRER, BARBOUILLER OU EFFACER CETTE ÉTIQUETTE *SAUF DANS LES CAS PERMIS SELON LES NORMES L'ANSI/NFPA 58 ou la CSA B149.

⚠ DANGER. Ne stockez pas de bouteille de GPL de recharge sous ou à proximité de cet appareil ou de tout autre appareil.

NE remplissez JAMAIS une bouteille de GPL au-delà de 80%: un incendie causant la mort ou des blessures graves peut survenir.

EN PLUS DE CETTE PAGE, SUIVEZ TOUTES LES INFORMATIONS DE CE MANUEL CONCERNANT LES BOUTEILLES DE PROPANE ET SUIVEZ TOUTES LES ÉTIQUETTES SUR LA BOUTEILLE.

TABLE OF CONTENTS

GETTING STARTED

| | |
|--|----|
| PRE-INSTALLATION AND PREPARATION SAFETY GUIDELINES | 6 |
| INSTALLATION SAFETY GUIDELINES | 7 |
| OPERATING THE UNIT SAFELY AND CORRECTLY | 7 |
| SAFE USE & MAINTENANCE OF PROPANE GAS CYLINDERS | 9 |
| GAS SAFETY INFORMATION | 10 |
| <i>WARNING</i> | 10 |
| <i>WHEN USING PROPANE GAS</i> | 10 |
| <i>WHEN USING NATURAL GAS</i> | 10 |
| <i>INSTALLATION SAFETY GUIDELINES</i> | 10 |
| <i>OPERATION SAFETY GUIDELINES</i> | 10 |
| SPECIFICATIONS AND DIMENSIONS | 11 |
| MINIMUM CLEARANCES | 13 |
| TOOLS REQUIRED | 13 |
| PROPANE CYLINDER ENCLOSURE REQUIREMENTS (if applicable) | 14 |
| <i>PROPANE CYLINDER ENCLOSURE PARAMETERS</i> | 14 |
| <i>PROPANE CYLINDER ENCLOSURE VENTILATION AND DRAINAGE</i> | 15 |
| PARTS LIST | 16 |

INSTALLATION

| | |
|--|----|
| IMPORTANT SAFETY INFORMATION | 18 |
| FIREPLACE INSTALLATION | 18 |
| <i>BEFORE YOU BEGIN</i> | 18 |
| <i>LOCATION</i> | 18 |
| <i>FIREPLACE ASSEMBLY - OVERVIEW</i> | 19 |
| <i>GAS SUPPLY SETUP (if applicable)</i> | 20 |
| <i>CONSTRUCT L.P. CYLINDER ENCLOSURE (if applicable)</i> | 20 |
| <i>FIREPLACE ASSEMBLY - STEP BY STEP</i> | 21 |
| BURNER INSTALLATION | 25 |
| <i>BURNER INSTALLATION GUIDELINES</i> | 25 |
| <i>LEAK TEST</i> | 25 |

USE, CARE, & SERVICE

| | |
|--|----|
| LIGHTING GUIDELINES | 27 |
| <i>FOR YOUR SAFETY, READ BEFORE LIGHTING</i> | 27 |
| <i>TO LIGHT THE APPLIANCE</i> | 27 |
| <i>TO SHUT OFF GAS TO THE APPLIANCE</i> | 27 |
| SERVICING AND CLEANING | 28 |
| <i>ANNUAL CLEAN / INSPECTION GUIDELINES</i> | 28 |
| <i>CONCRETE CARE</i> | 29 |
| TROUBLESHOOTING | 29 |
| WARRANTY | 30 |

IMPORTANT SAFETY INFORMATION

Congratulations on your purchase of an American Fyre Designs outdoor gas fireplace. Made with pride in America, your new fireplace complies with national safety standards and when installed per these instructions and used as intended it will provide warmth and comfort to your outdoor area for many years.

Prior to installation and operation ensure that all specifications, dimensions, and minimum clearances stated in this manual are observed. You must read all warnings and safety information, and understand all of the information in this manual. All installation requirements must be observed and met.

PRE-INSTALLATION AND PREPARATION SAFETY GUIDELINES

This fireplace is designed to be installed with select R.H.P. vented/unvented gas appliances. The following 3 sections of warnings apply to this complete setup type:

- A. **A shut-off valve (not included) in the gas supply line is optional.** It provides for safety when the unit is not in use and for convenient maintenance and repair. It can be installed within 6 feet of unit and must be easily accessible. Use a pipe joint compound resistant to all gasses on all NPT pipe fittings **except flare fittings.**
- B. Before installing this unit, check the MINIMUM CLEARANCES section to ensure that the surrounding area is **properly sized for the installation.**
- C. The unit is for outdoor use only. **DO NOT** install or use this appliance inside a building, garage, or any other enclosed area, including recreational vehicles and/or boats. **THIS UNIT MUST BE INSTALLED SO THAT THE VENT OPENINGS AND SURROUNDING AREA OF THE UNIT REMAIN CLEAR AND FREE AT ALL TIMES. IF APPLICABLE, SEE THE PROPANE CYLINDER ENCLOSURE REQUIREMENTS SECTION.**
- D. **SOLID FUEL MUST NOT BE BURNED** in the unit.
- E. **CHECK GAS TYPE** (natural gas or propane): The gas supply you intend to use may not be the same as that stated on the unit rating plate as purchased. If the gas supply is different, **DO NOT INSTALL**, and contact the dealer for assistance.
- F. **FOR NATURAL GAS:** The minimum inlet gas-supply pressure for purposes of input adjustment is **5"** water column (w.c.), and the maximum inlet gas-supply pressure is **10.5 "** w.c.
FOR PROPANE GAS: The minimum inlet gas-supply pressure for purposes of input adjustment is **11"** w.c., and the maximum inlet gas-supply pressure is **13"** w.c. **DO NOT INSTALL THIS UNIT IF MINIMUM PRESSURE IS NOT AVAILABLE OR IF MAXIMUM PRESSURE IS EXCEEDED.**
When installing the gas appliance to a propane gas supply, the appliance must have a valve and pilot assembly attached/installed. Propane burners may not be installed as a match-lit unit.
- G. **The gas piping system must be sized to provide minimum inlet pressure at the maximum flow rate (BTU/hr).** Undue pressure loss will occur if the pipe is too small, or the run is too long. Gas supply pipe must be 1/2" minimum interior diameter. If the gas line is longer than 20', a larger diameter line may be necessary. Refer to the NFPA 54 guidelines for further details.
- H. For installations at elevations above 2,000 ft., contact your local dealer or gas supplier before installing. Input ratings should be reduced approximately 4% per 1,000 ft. above sea level. Refer to National Fuel Gas Code.
- I. The gas appliance and the individual shut-off valve must be disconnected from the gas-supply piping system during any pressure testing of that system at test pressures in excess of 1/2 psi (3.5 kPa). This is accomplished by closing the gas-supply line valve. The unit must be isolated from the gas-supply piping system by closing its individual manual shut-off valve during any pressure testing of the gas-supply piping system at test pressures equal to or less than 1/2 psi (3.5 kPa).
- J. When a gas appliance is for connection to a fixed piping system, the installation must conform with local codes, or in the absence of local codes with the National Fuel Gas Code, ANSI Z223.1/NFPA 54; national Fuel Gas Code, Natural Gas and Propane Installation Code, CSA B149.1; or Propane Storage and Handling Code, CSA B149.2, as applicable.
- K. **INSTALLER NOTE:** This unit should be installed so that it can be removed if service is required.
- L. **GAS-SUPPLY PLUMBING REQUIREMENTS**
Use a pipe joint compound resistant to all gasses on all NPT pipe fittings. Make sure to tighten every fitting securely. **Do not use pipe joint compound to connect flare fittings.** Bring the gas-supply pipe up from beneath the hearth or directly behind the hearth as appropriate for your installation.

CAUTION: Installation and maintenance must be done by an NFI Certified or other qualified professional service technician. Installer, read these instructions (and all other instructions provided with separately purchased product) before installing. Be sure you understand all safety precautions and warnings contained in the manual(s).

INSTALLATION SAFETY GUIDELINES

- A. Carefully inspect for shipping damage. If any parts are damaged, call the dealer.
- B. Installation and repair should be done by a qualified professional service technician. The gas appliance should be inspected before use and at least annually by a qualified service person. More frequent cleaning may be required as necessary. It is imperative that control compartment, burners and circulating air passageways of the fireplace and/or appliance are kept clean.
- C. Correct installation and proper placement of the gas appliance and its decorative media **is crucial** to the safe performance of the appliance. See the owner's manual provided with the gas appliance for further information.
- D. **DO NOT** install vented fireplaces under any overhead construction.
DO NOT install unvented fireplaces under any overhead construction that is less than 3 feet above the top of the unit.
- E. Ensure that the unit (and propane cylinder enclosure - if applicable) is (are) installed on a hard and level surface.
- F. **This fireplace must be installed so that the vent openings and surrounding area of the fireplace remain clear and free at all times. If applicable, see PROPANE CYLINDER ENCLOSURE REQUIREMENTS section.**
- G. Due to high temperatures, the enclosure and/or unit must be located out of traffic areas and away from combustibles.
- H. If applicable, ensure all propane cylinder enclosure construction, ventilation, and water drainage requirements are met. See PROPANE CYLINDER ENCLOSURE REQUIREMENTS section.

OPERATING THE UNIT SAFELY AND CORRECTLY

- A. **The R.H.P. burner is a decorative gas appliance. It is not a cooking appliance.**
- B. **SOLID FUEL MUST NOT BE BURNED** in the unit.
- C. When shutting the appliance down—be sure to TURN THE CONTROL VALVE FULLY OFF.
- D. Children MUST be carefully supervised when they are in the area of this unit.
- E. **DO NOT** rest, hang, or place any part of the body, clothing, or other flammable materials on or near the unit surround. Children and adults should be alerted to the hazard of high surface temperatures and should stay away to avoid burns or clothing ignition. DO NOT lean into the unit when lighting or when in use.
- F. Every time you use the fireplace and appliance, **make sure that:**
 - The area around the enclosure and/or unit is clear and free from combustible materials, gasoline and other flammable vapors and liquids.
 - The vent openings and surrounding area of the enclosure and/or fireplace are clear and free at all times.
 - The hose is inspected (if applicable). See the SAFE USE & MAINTENANCE OF PROPANE-GAS CYLINDERS section.
 - The burner flame appears normal. If the flame is uneven, low, or high, immediately shutdown and refer to the TROUBLESHOOTING section for details.
- G. **WARNING: HOT WHILE IN OPERATION AND FOLLOWING OPERATION. Serious injury can occur! DO NOT** throw trash, paper, or other flammable materials into the unit. **Adults MUST be present when the gas appliance is operating. The appliance MUST NOT be left burning when unattended or while anyone is sleeping.**
WARNING: DO NOT operate this fireplace and appliance in the rain.
WARNING: DO NOT operate this fireplace and appliance in high-wind conditions.
- H. **DO NOT** continue using if you smell unusual odors, or have headaches, nausea, or dizziness.
- I. **DO NOT** store any combustible materials, gasoline, and any other flammable vapors/liquids in the vicinity of the unit. Provide adequate clearance for servicing and operation.
- J. Matches, paper, garbage, or any other material must not be thrown into the unit.
- K. **DO NOT** use the appliance if any part of it has been underwater. Immediately call a qualified professional service technician to inspect the appliance and to replace any part of the control system and any gas control that has been underwater.
- L. **WARNING:** Food cannot be consumed after coming in direct contact with the surface of the unit due to possible contamination.

UTILISATION SÛRE ET ENTRETIEN DES CYLINDRES DE GAZ DE PROPANE

IMPORTANT POUR VOTRE SÛRETÉ

LISEZ ET SUIVEZ TOUS LES AVERTISSEMENTS ÉQUIPÉS DE VOTRE CYLINDRE DE GAZ DE PROPANE.

En actionnant cet appareil avec un cylindre de gaz de propane ON DOIT observer ces instructions et avertissements.

LE MANQUE DE FAIRE AINSI PEUT AVOIR COMME CONSÉQUENCE UNE INCENDIE OU UNE EXPLOSION SÉRIEUSE.

CYLINDRE ET CONDITIONS ET CARACTÉRISTIQUES DE CONNECTEUR

- Les bouteilles, les vannes et les tuyaux de propane doivent être entretenus et inspectés avant chaque utilisation. Ils doivent être remplacés en cas de dommages visibles. Si le tuyau est coupé ou présente des signes d'abrasion ou d'usure, il doit être remplacé avant utilisation (**voir e.**).
- Cette unité, lorsqu'elle est utilisée avec une bouteille, doit être connectée à une bouteille standard de gaz propane de 5 gallons (20 lb) équipée d'un dispositif anti-débordement répertorié. L'appareil est obligatoire sur toutes les bouteilles vendues depuis le 1er octobre 1998 afin d'empêcher tout remplissage excessif.
- Les dimensions du cylindre doivent être d'environ 12" (30,5 cm) de diamètre et 18" (45,7 cm) de hauteur. Les bouteilles doivent être construites et marquées conformément aux spécifications du ministère des Transports (DOT) pour les bouteilles à gaz LP ou à la norme relative aux bouteilles, sphères et tubes pour le transport des marchandises dangereuses et à la Commission, CAN / CSA-B339, selon le cas.
- Le cylindre doit inclure un collier pour protéger la valve de cylindre et le circuit d'alimentation de cylindre doit être assuré le retrait de vapeur.
- Le régulateur de pression et l'ensemble de tuyau utilisé doivent assortir les spécifications pour le type I par ANSI Z 21.58/CGA 1.6 (voir la fig. 8-1).
- La valve de cylindre de gaz de propane doit être équipée d'un dispositif d'accouplement de raccordement de cylindre, décrit comme type I dans la norme définie dans le e. de paragraphe ci-dessus. Ce dispositif est généralement décrit comme coupleur de fil de point culminant.
- Si votre cylindre de gaz de propane vient avec une prise de la poussière, placez le bouchon anti-poussière sur la sortie de valve de cylindre toutes les fois que le cylindre n'est pas en service.

OPÉRATION DE COUPLEUR

Pour relier le régulateur/hose à l'ajustage de précision de valve de cylindre de gaz de propane: Serrez l'écrou de main sur le régulateur au-dessus de l'ajustage de précision de fil de point culminant sur la valve de cylindre. Tournez l'écrou de

main dans le sens des aiguilles d'une montre pour engager les fils et pour serrer jusqu'à ce que douillettement. L'utilisation des pinces ou de la clé ne devrait pas être nécessaire. Seulement le propane marqué par cylindres doit être employé.

Pour débrancher: Tournez l'écrou de main dans le sens contraire des aiguilles d'une montre jusqu'à isolé (fig. 8-1).

Important: Avant d'employer le unité, et ensuite chaque fois que le cylindre est enlevé et rattaché, examinez tous les raccordements pour déceler les fuites. Arrêtez les valves de unité et ouvrez la valve principale de cylindre, puis vérifiez les raccordements avec de l'eau savonneux. Réparez toutes les fuites avant d'allumer le unité.

ATTENTION: Tournez toujours la valve principale de cylindre de propane au loin après chaque utilisation, et avant de déplacer le unité et le cylindre, ou débrancher l'accouplement. Cette valve doit rester fermée et le cylindre a débranché alors que l'appareil n'est pas en service, quoique l'écoulement de gaz soit arrêté par un dispositif de sûreté quand le coupleur est débranché.

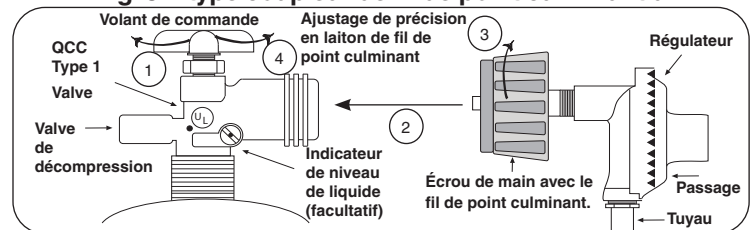
Inspectez soigneusement l'ensemble de tuyau chaque fois avant que le gaz soit allumé. Un tuyau fissuré ou effiloché doit être immédiatement remplacé.

Si l'appareil est stocké à l'intérieur, le cylindre doit être disconnected et a enlevé. Des cylindres Disconnected doivent être stockés dehors, hors de la portée des enfants, avec les prises de valve filettées étroitement installées, et ne doivent pas être stockés dans un bâtiment, le garage, ou n'importe quel autre secteur inclus.

POUR VOTRE SÛRETÉ

- Ne stockez pas un cylindre de gaz disponible de propane dessous ou ne vous approchez pas de cet appareil.
- Ne remplissez jamais cylindre au delà de 80 pour cent de plein.
- SI L'INFORMATION DANS "A" ET "B" N'EST PAS SUIVIE EXACTEMENT, UN FEU CAUSANT LA MORT OU DES DOMMAGES SÉRIEUX PEUT SE PRODUIRE.

Fig. 8-1 type coupleur de fil de point culminant d'I



SAFE USE & MAINTENANCE OF PROPANE GAS CYLINDERS

IMPORTANT FOR YOUR SAFETY

READ AND FOLLOW ALL WARNINGS PROVIDED WITH THE PROPANE-GAS CYLINDER.

When operating this appliance with a propane-gas cylinder, these instructions and warnings **MUST** be observed.

FAILURE TO DO SO MAY RESULT IN A SERIOUS FIRE OR EXPLOSION.

CYLINDER/CONNECTOR REQUIREMENTS

- Propane-gas cylinders, valves, and hoses must be maintained in good condition and inspected before each use of appliance. They must be replaced if there is any visible damage. If hose is cut or shows excessive abrasion or wear, it must be replaced before using appliance (see e.).
- This unit, when used with a cylinder, should be connected to a standard 5-gallon (20 lb.) propane-gas cylinder equipped with a listed overfilling prevention device. The device has been required on all cylinders sold since October 1, 1998, to prevent overfilling.
- Cylinder dimensions should be approximately 12" (30.5 cm) in diameter and 18" (45.7 cm) high. Cylinders must be constructed and marked in accordance with the U.S. Department of Transportation (D.O.T.) *Specifications for LP-Gas Cylinders*, or the Standard for *Cylinders, Spheres, and Tubes for Transportation of Dangerous Goods and Commission*, CAN/CSA-B339, as applicable.
- The cylinder used must include a collar to protect the cylinder valve, and the cylinder supply system must be arranged for vapor withdrawal.
- The pressure regulator and hose assembly used must match the specification for Type I by *ANSI Z 21.58/CGA 1.6* (see Fig. 9-1).
- The propane-gas cylinder valve must be equipped with a cylinder connection device, described as Type I in the standard defined in paragraph e. above. This device is commonly described as an Acme thread coupler.
- If the propane-gas cylinder comes with a dust plug, place the dust cap on the cylinder valve outlet whenever the cylinder is not in use.

COUPLER OPERATION

To connect the regulator/hose assembly to the propane-gas cylinder valve fitting: Press the hand nut on the regulator over the Acme thread fitting on the cylinder valve. Turn the hand nut clockwise to engage the threads and tighten until snug.

The use of pliers or a wrench should not be necessary. Only cylinders marked "propane" may be used.

To disconnect: Turn the hand nut counterclockwise until detached (Fig. 9-1).

Important: Before using the unit, and after each time the cylinder is removed and reattached, check the hose for wear (see a.) and check all connections for leaks. Turn off the unit valves and open the main cylinder valve, then check connections with soapy water. Repair any leaks before lighting the unit.

CAUTION: Always turn the propane cylinder main valve off after each use, and before moving the unit and cylinder or disconnecting the coupling. This valve must remain closed and the cylinder disconnected while the appliance is not in use, even though the gas flow is stopped by a safety feature when the coupler is disconnected.

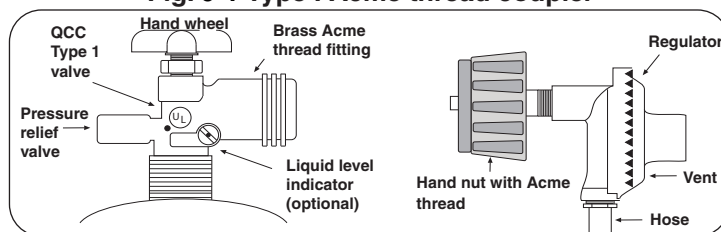
Carefully inspect the hose assembly each time before the gas is turned on. A cracked or frayed hose must be replaced immediately.

If the appliance is stored indoors, the cylinder must be disconnected and removed. Disconnected cylinders must be stored outdoors, out of the reach of children, with threaded valve plugs tightly installed, and must not be stored in a building, garage, or any other enclosed area.

FOR YOUR SAFETY

- DO NOT store a spare propane-gas cylinder under or near this appliance.
- NEVER fill the cylinder beyond 80-percent full.
- IF THE INFORMATION IN a. AND b. IS NOT FOLLOWED EXACTLY, A FIRE CAUSING DEATH OR SERIOUS INJURY MAY OCCUR.

Fig. 9-1 Type I Acme thread coupler



GAS SAFETY INFORMATION

WHEN OPERATING THE R.H.P. GAS APPLIANCE, ALL INSTRUCTIONS AND WARNINGS MUST BE OBSERVED. FAILURE TO DO SO MAY RESULT IN A FIRE OR EXPLOSION CAUSING PROPERTY DAMAGE, BODILY INJURY, OR DEATH.

WARNING

The R.H.P. gas appliance **MUST** be installed and operated according to the information found in this manual and the manual included with the appliance.

If applicable, the propane cylinder enclosure **MUST** be constructed and vented in accordance with local building and safety codes and should be approved by local code enforcement officials.

FAILURE TO PROPERLY VENT THE CYLINDER ENCLOSURE AND/OR UNIT MAY RESULT IN A FIRE OR EXPLOSION CAUSING PROPERTY DAMAGE, BODILY INJURY, OR DEATH.

A leaking gas connection or valve unintentionally left open will create a hazard.

WHEN USING PROPANE GAS

- **Propane gas** (also known as **L.P. gas**) is heavier than air and will accumulate or pool in an inadequately vented enclosure or recessed area.
- If a pool of **propane gas** is ignited, an explosion will occur. Adequate venting at the floor level, or the lowest point where gas could accumulate, eliminates this danger.
For propane cylinder enclosures, refer to the **PROPANE CYLINDER ENCLOSURE REQUIREMENTS** section. Observe all local codes.
- DO NOT store a spare propane-gas cylinder in or near the cylinder enclosure or the unit.

WHEN USING NATURAL GAS

- **Natural gas** is lighter than air and will accumulate at the top of an inadequately vented enclosure.
- If an accumulation of **natural gas** is ignited, an explosion will occur. Adequate venting at the top of the unit eliminates this danger.

INSTALLATION SAFETY GUIDELINES

THIS UNIT MUST BE INSTALLED SO THAT THE VENT OPENINGS AND SURROUNDING AREA OF THE CYLINDER ENCLOSURE AND/OR UNIT REMAIN CLEAR AND FREE AT ALL TIMES. For propane cylinder enclosures, refer to the **PROPANE CYLINDER ENCLOSURE REQUIREMENTS** section for details.

CAUTION: FOR YOUR SAFETY, FOR PROPANE CYLINDER ENCLOSURES: you must provide openings in the enclosure for replacement air and ventilation (in case of possible leakage from the cylinder). Failure to do so may result in a fire or explosion causing property damage, bodily injury, or death. See the **PROPANE CYLINDER ENCLOSURE REQUIREMENTS** section for details.

The gas cylinder, regulator, and rubber hose must be in a location not subject to temperatures above 125° F (51° C).

IF A PROPANE CYLINDER IS INSTALLED: THE GUIDELINES FOUND IN THE **SAFE USE & MAINTENANCE OF PROPANE GAS CYLINDERS SECTION - AND IF APPLICABLE THE **PROPANE CYLINDER ENCLOSURE REQUIREMENTS** SECTION - MUST BE FOLLOWED.**

OPERATION SAFETY GUIDELINES

Every time you use the unit, **make sure that:**

1. The area around the cylinder enclosure and/or unit is clear and free from combustible materials, gasoline and flammable vapors/liquids.
2. The required vent openings and surrounding area of the enclosure and/or unit are clear and free at all times.
3. The hose is inspected (if applicable). See **SAFE USE & MAINTENANCE OF PROPANE-GAS CYLINDERS** section.

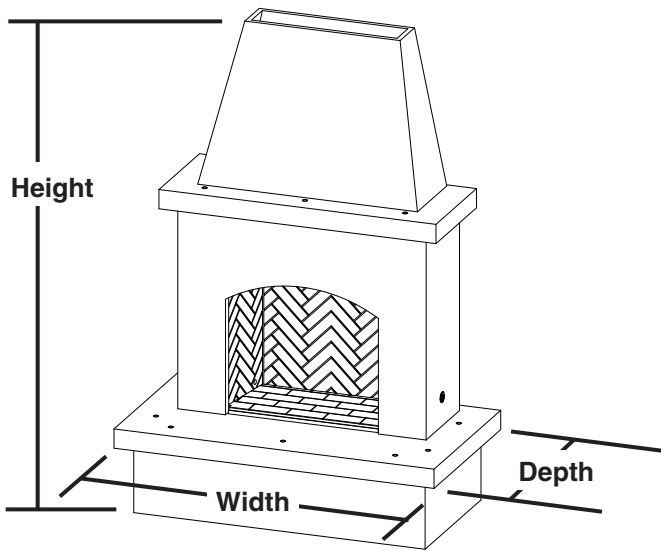
DO NOT store any combustible materials, gasoline, and any other flammable vapors/liquids in the vicinity of the enclosure and/or unit. Provide adequate clearance for servicing and operation.

SPECIFICATIONS AND DIMENSIONS

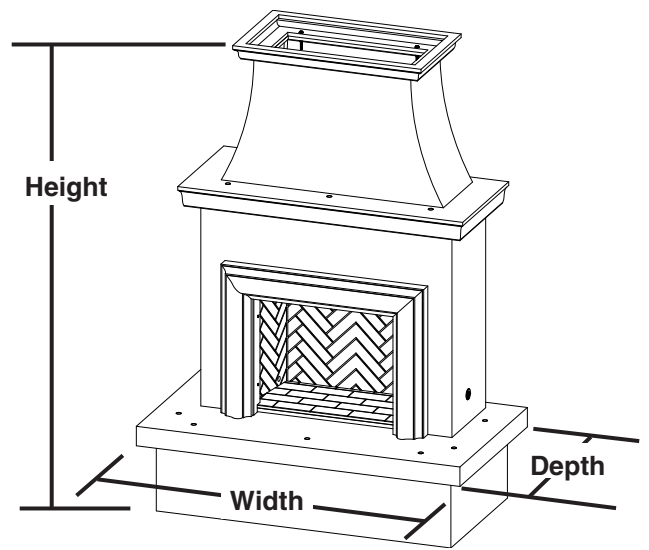
| Style | Dimensions | Weight / Pieces |
|--|-----------------------|-------------------|
| Contractor's Model Fireplace (040 & 140) | 67" w x 37" d x 96" h | 1220 lbs / 9 pcs |
| Contractor's Model With Moulding Fireplace (045 & 145) | 67" w x 37" d x 91" h | 1230 lbs / 11 pcs |

Table 1 - Product Specifications

The Contractor's fireplaces are not designed as finished products. They are unfinished products that allow for the fireplace to be customized with a finishing substrate (i.e. tiles/stonework).



Contractor's Model Fireplace



Contractor's Model with Moulding Fireplace

SPECIFICATIONS AND DIMENSIONS (cont.)

This fireplace is designed to be installed with an R.H.P. vented/unvented gas appliance. Below is a list of the options available for each fireplace type. The gas appliance is purchased separately. Contact your local American Fyre Designs dealer when ordering.

| Style | Vented Burner Options | Unvented Burner Options |
|---|---|--|
| Contractor's Model (040), Contractor's Model w/ Moulding (045) | <p style="text-align: center;"><u>G52 STAINLESS STEEL</u></p> <p>Match-Lit or Valve Models: up to 18/20" burners</p> <p style="text-align: center;"><u>G45 STAINLESS STEEL</u> (Log Set or Glass Models)</p> <p>Match-Lit Models: up to 24" burners Valve Models: up to 18/20" burners</p> <p style="text-align: center;"><u>G22 STAINLESS STEEL</u></p> <p>Match-Lit Models: up to 24" burners Valve Models: up to 18" burners</p> | <p style="text-align: center;"><u>G10 STAINLESS STEEL</u></p> <p>up to 24/30" burners with <u>24"</u> log set</p> <p style="text-align: center;"><u>G21 STAINLESS STEEL</u></p> <p>up to 24" burners</p> |
| Contractor's Model (140), Contractor's Model w/ Moulding (145) | N/A | <p style="text-align: center;"><u>G10 STAINLESS STEEL</u></p> <p>up to 24/30" burners with <u>24"</u> log set</p> <p style="text-align: center;"><u>G21 STAINLESS STEEL</u></p> <p>up to 24" burners</p> |

Table 2 - Fireplace Burner Options

The unit's marking label plate is located in the interior of the firebox. It hangs from a chain on the front inner wall (valve side). Ensure the plate is placed behind the side liner during installation. To view, simply reach in, access, then return once done.

PROPANE CYLINDER ENCLOSURE REQUIREMENTS (IF APPLICABLE)

If a propane cylinder is being used as the gas source, the fireplace does not accommodate a cylinder, and a separate propane cylinder enclosure is required. See the following information.

American Fyre Designs tank/end tables are available. They meet all propane cylinder enclosure and ventilation requirements. Contact your local dealer. For requirements regarding custom-built cylinder enclosures, see below.

To ensure proper operation and safety the propane cylinder enclosure **MUST** comply with the following:

- Proper construction - see PROPANE CYLINDER ENCLOSURE PARAMETERS section.
- Proper ventilation and drainage - see PROPANE CYLINDER ENCLOSURE VENTILATION AND DRAINAGE section.
- Proper clearances from combustibles - see MINIMUM CLEARANCES section.

You **MUST** read and follow these sections for complete propane cylinder enclosure requirement details.

PROPANE CYLINDER ENCLOSURE PARAMETERS

The cylinder enclosure can be constructed according to your individual preference, while following all guidelines found in this manual. **The enclosure MUST (see Fig. 13-1):**

- be installed in a safe location and on a hard and level surface
- be constructed of non-combustible materials
- be properly vented, and provide for water drainage (see PROPANE CYLINDER ENCLOSURE VENTILATION AND DRAINAGE section)
- have minimum dimensions as illustrated in Fig. 13-1
- use an L.P. regulator hose assembly (not included) to connect the unit to the propane cylinder:
 - single stage: maximum BTU capacity 95k / 2 stage: maximum BTU capacity 150k
 - above ground
 - maximum 10 feet in length
 - Propane extension hoses are available from American Fyre Design. Contact your local dealer for ordering information.
- provide a 1" x 1" minimum cutout for the hose assembly
- be constructed so that the cylinder is properly secured, and sits at least 2" above the floor (use mechanical means to secure the cylinder to prevent it from tipping over - see below for an example)

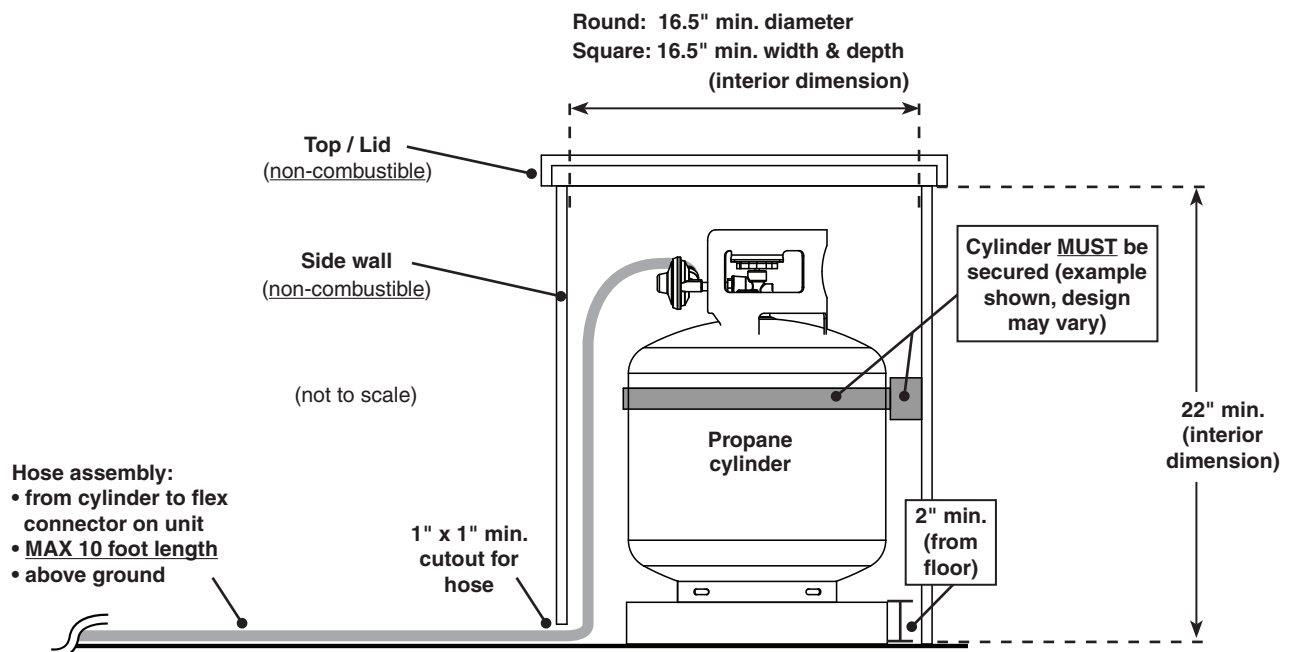


Fig. 13-1 Propane cylinder enclosure specifications (side view)

PROPANE CYLINDER ENCLOSURE REQUIREMENTS (IF APPLICABLE) (cont.)

PROPANE CYLINDER ENCLOSURE VENTILATION AND DRAINAGE

FOR YOUR SAFETY, you must provide the openings listed below for replacement air and ventilation of the enclosure (in case of possible leakage from gas connections or propane cylinders). Failure to do so may result in a fire or explosion causing property damage, bodily injury, or death. The openings also allow for water drainage.

Ventilation

One side of the enclosure shall be left completely open to the outside; OR 4 (minimum) ventilation openings MUST be created (reference Fig. 14-1 and Fig. 14-2):

- Each opening must have a minimum of 10 sq. in. of free area. The openings must be equally sized. (Total of 40 sq. in. free area.)
- Two openings must be in the side walls of the enclosure, at the top level, and spaced at a minimum of 90 degrees. The openings must begin 1" or less below the top level and end no more than 5" below the top level.
- Two openings must be in the side walls of the enclosure, at the floor level, and spaced at a minimum of 90 degrees. The openings must begin 1" or less above the floor level and end no more than 5" above floor level.
- **The openings must remain unobstructed:**

The clearance between the openings and any items outside of the enclosure is a minimum of 6". The clearance between the openings and cylinder within the enclosure is a minimum of 2". See Fig. 14-2.

It is acceptable to use RHP venting panels (PN 5510-01). Contact your dealer.

Water Drainage

Two additional openings (1" x 4") must be created at the floor level (and spaced at 180 degrees) to allow for water drainage. The openings must be equally sized and unobstructed. See Fig. 14-2.

KEEP THE REQUIRED VENT OPENINGS, DRAIN OPENINGS, AND SURROUNDING AREA OF THE ENCLOSURE CLEAR AND FREE AT ALL TIMES.

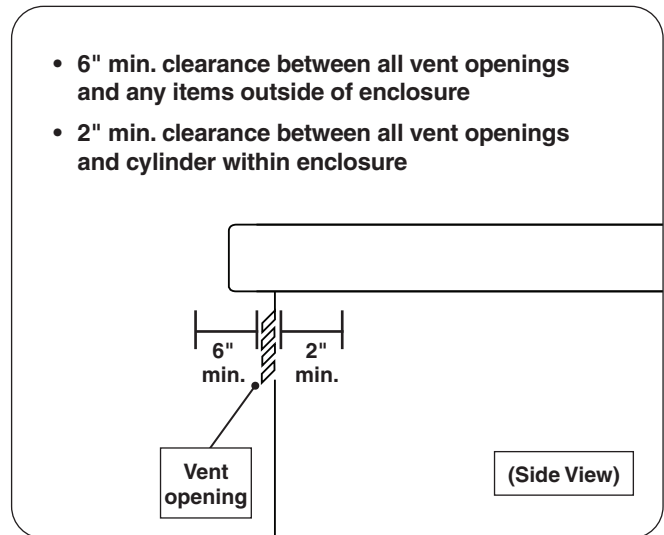


Fig. 14-1 Vent openings clearance

Ventilation Requirements:

- Minimum 4 openings (2 per side wall - spaced at min. 90 degrees)
- Top openings: within 5" of top
- Bottom openings: within 5" of floor
- Each vent opening: min. 10 sq. in. of free area (Total = 40 sq. in. free area)

Drainage Requirements:

- Minimum 2 openings (1 per side wall - spaced at 180 degrees)
- At floor level, 1" x 4"

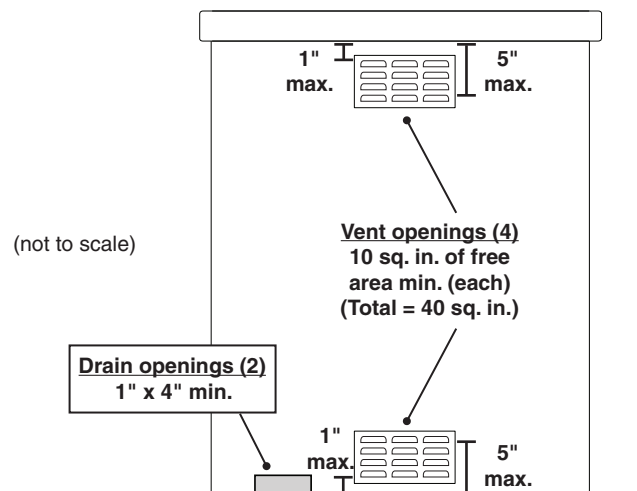


Fig. 14-2 Ventilation and drainage specifications (propane cylinder enclosure side view)

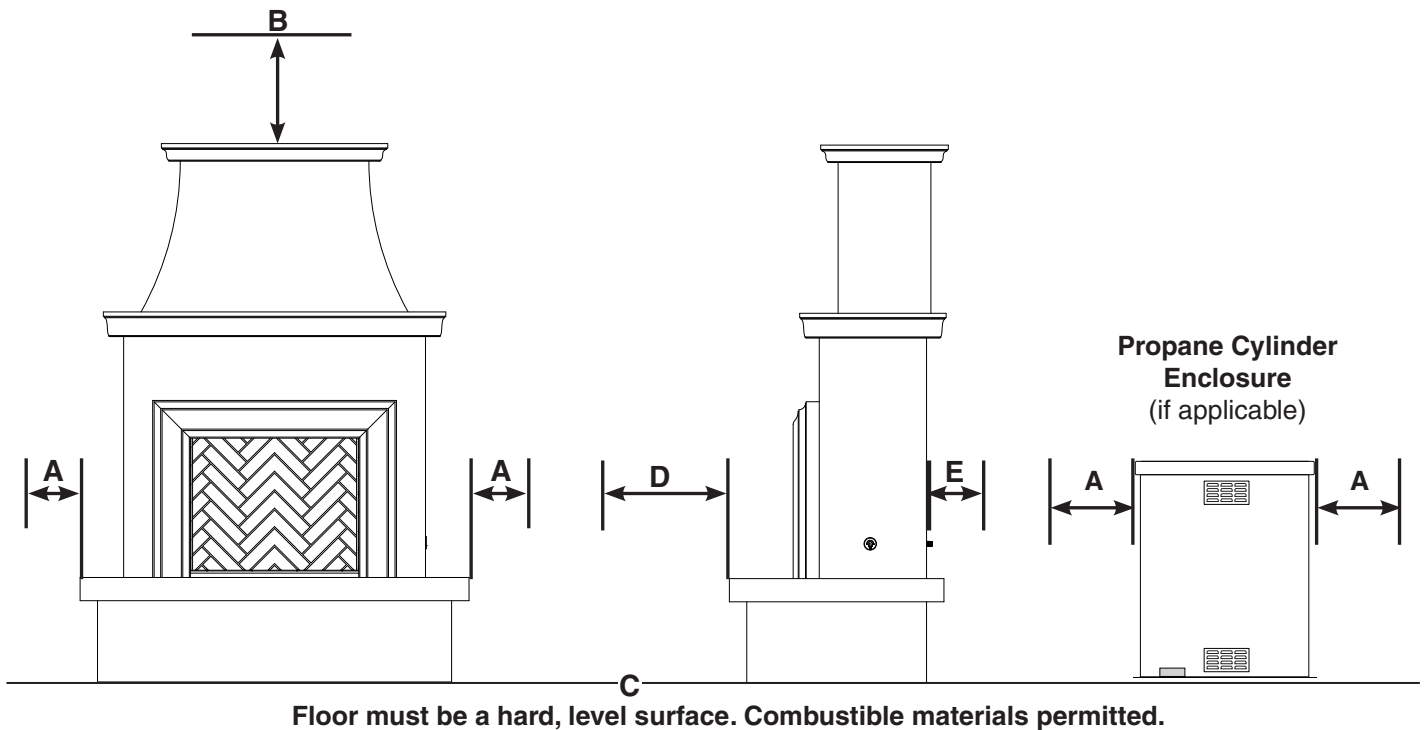
MINIMUM CLEARANCES

The dimensions shown below are **MINIMUM CLEARANCES** to maintain when you install the unit.

ALL CLEARANCES AND INFORMATION STATED HERE MUST BE MAINTAINED AND FOLLOWED.

| Description | Dimension | | |
|--|----------------------|--------------------|--|
| | Vented Fireplace | Unvented Fireplace | Propane Cylinder Enclosure (if applicable) |
| A. Side clearance (from hearth extension/edge to combustible construction) | 6" | 6" | 6" |
| B. Clearance above unit | Not permitted | 36" | 0" |
| C. Clearance below unit | 0" | 0" | 0" |
| D. Front clearance (from hearth extension to combustible construction) | 36" | 36" | N/A |
| E. Rear clearance | 6" | 6" | N/A |

Table 3- Minimum Clearances



TOOLS REQUIRED

The following are the minimum tools required for the installation of your unit. Additional tools may be required for your individual installation.

- 2 (or more) assemblers recommended
- appropriate tools for gas supply install
- 1/2" & 3/4" open-end wrenches (2) (or equivalent)
- Phillips screwdriver
- cordless drill
- drill bits and drivers

PARTS LIST

- Your fireplace is packaged onto 1 pallet.
- R.H.P. gas appliances are purchased and packaged separately. Various models are available.
- R.H.P. gas appliances and replacement parts can be ordered from your local American Fyre Designs dealer.
- Select models are illustrated (your model may vary)

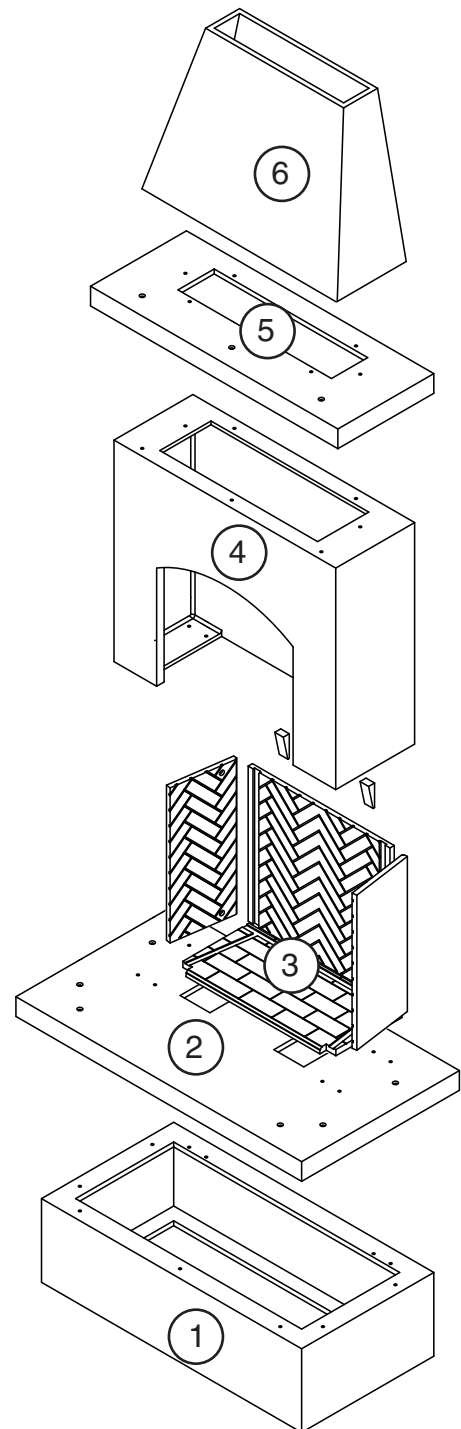
IMPORTANT
Remove all packing material (including any protective coatings) and discard prior to use.



IDENTIFICATION PARTS LIST Contractor's Model (040, 140)

| Item | Description | Qty. |
|------|--|------|
| 1. | Hearth | 1 |
| 2. | Shelf | 1 |
| 3. | Firebox liners w/ shims - Vented (set of 4 liners and 2 shims) or Firebox liners w/ shims - Unvented (set of 5 liners and 2 shims) | 1 |
| 4. | Body | 1 |
| 5. | Mantel | 1 |
| 6. | Chimney - Vented or Chimney - Unvented * | 1 |
| 7. | Hardware kit - Interior * † | 14 |
| 8. | Hardware kit - Exterior * ‡ | 10 |

* not shown
 † each kit contains: (1) 1/2"-13 x 3.5" bolt, (1) nut, (2) washers
 ‡ each kit contains: (1) 1/2"-13 x 3.5" plow bolt, (1) nut, (1) washer



Contractor's Model Vented Fireplace shown
(design of your model may slightly vary)

PARTS LIST (cont.)

| Item | Description | Qty. |
|------|--|------|
| 1. | Hearth | 1 |
| 2. | Shelf | 1 |
| 3. | Firebox liners w/ shims - Vented (set of 4 liners and 2 shims) or Firebox liners w/ shims - Unvented (set of 5 liners and 2 shims) | 1 |
| 4. | Body | 1 |
| 5. | Body moulding | 1 |
| 6. | Mantel | 1 |
| 7. | Chimney | 1 |
| 8. | Chimney top | 1 |
| 9. | Hardware kit - interior * † | 14 |
| 10. | Hardware kit - exterior * ‡ | 10 |
| 11. | Hardware kit - body moulding * ▲ | 4 |
| 12. | Hardware kit - chimney top * ○ | 4 |

* not shown

† each kit contains: (1) 1/2"-13 x 3.5" bolt, (1) nut, (2) washers

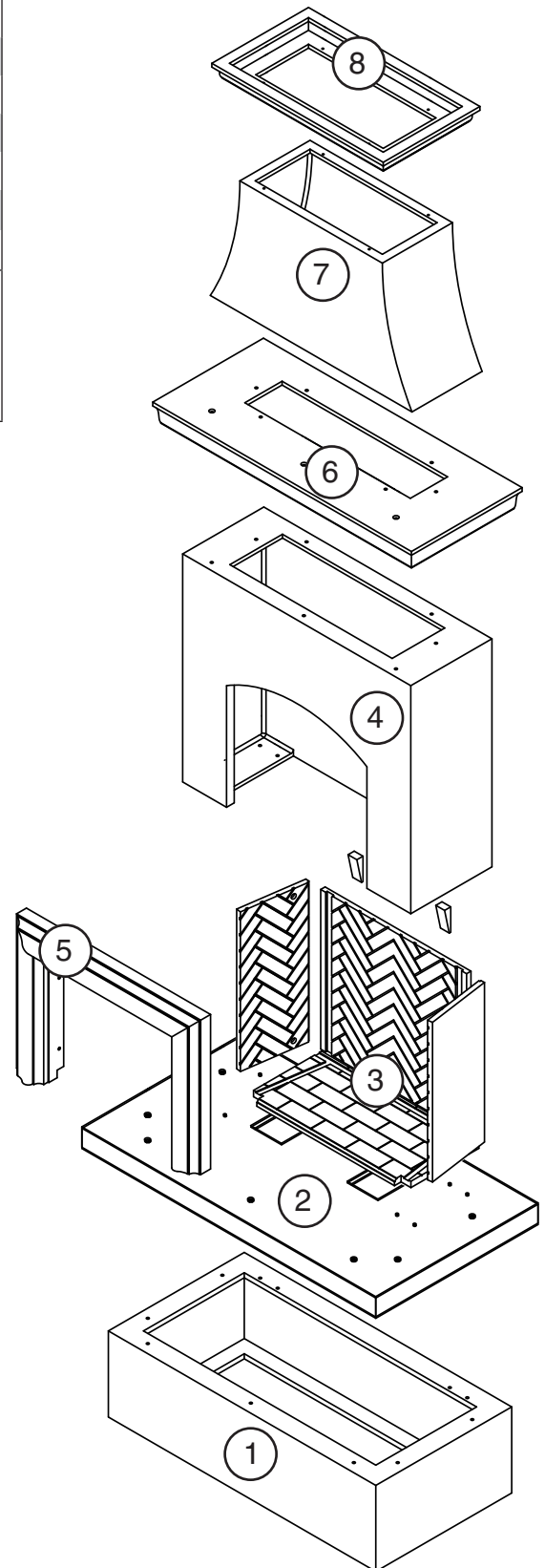
‡ each kit contains: (1) 1/2"-13 x 3.5" plow bolt, (1) nut, (1) washer

▲ each kit contains: (1) 1/4"-20 x 3" phillips bolt, (1) nut, (1) washers

○ each kit contains: (1) 5/16"-18 x 3.5" bolt, (1) nut, (2) washer

IDENTIFICATION PARTS LIST

Contractor's Model with Molding (045, 145)



Contractor's Model with Molding Vented Fireplace (design of your model may slightly vary)

IMPORTANT SAFETY INFORMATION

BE CAREFUL

If not installed and used correctly per these instructions, this product can cause serious injury.

CAUTION: Installation and maintenance must be done by an NFI Certified or other qualified professional service technician. Read these instructions before installing this fireplace and the R.H.P. gas appliance. Be sure you understand all safety precautions and warnings contained in this manual and the appliance owner's manual.

A. FOR OUTDOOR USE ONLY.

B. When shutting the gas appliance down—be sure to **TURN THE CONTROL VALVE OR KEY FULLY OFF.**

C. WARNING: CARBON MONOXIDE POISONING MAY LEAD TO DEATH. DO NOT MODIFY THIS FIREPLACE OR THE GAS APPLIANCE, EXCEPT AS PROVIDED FOR IN THE MANUALS. Any other change may be dangerous. Improper installation or use of the fireplace and R.H.P. gas appliance can cause serious injury or death from fire, burns, explosions, or carbon monoxide poisoning.

D. Check state and local codes to determine if the fireplace and R.H.P. gas appliance are permitted in your locality before installation.

E. Manual models allow for an adjustable flame height. THESE SETTINGS MUST ALWAYS BE HIGH ENOUGH FOR THE FLAME TO BE CLEARLY VISIBLE. WHEN LIGHTING THE APPLIANCE, ALWAYS LIGHT ON HIGH.

FIREPLACE INSTALLATION

BEFORE YOU BEGIN

Important: Prior to installation ensure that all specifications, dimensions, propane cylinder enclosure requirements (if applicable), and minimum clearances stated in this manual are observed. You must read all warnings and safety information, and understand all of the information in this manual. All installation requirements must be observed and met.

WARNING: Failure to position the parts in accordance with these diagrams or failure to use only parts specifically approved with this unit may result in property damage or personal injury.

- Confirm the installation site accommodates the fireplace per the requirements in this manual.
- Be sure the gas supply (propane or natural) is turned off at its source.
- Remove all packing material (including any protective coatings) and discard prior to installation.

LOCATION

While following all requirements and safety information in this manual (see MINIMUM CLEARANCES section); determine and prepare the location of the fireplace (a hard and level surface).

Note: For fireplaces, a combustible surface is permitted.

Important: The gas supply must be considered when determining the location of the unit. See GAS SUPPLY SETUP section for details.

ASSEMBLY REQUIRES TWO OR MORE PEOPLE.

EXERCISE EXTREME CARE DURING ASSEMBLY AND INSTALLATION.

FIREPLACE INSTALLATION (cont.)

FIREPLACE ASSEMBLY - OVERVIEW

CAUTION: Fireplace components are heavy. **CAREFULLY** handle all components during assembly.

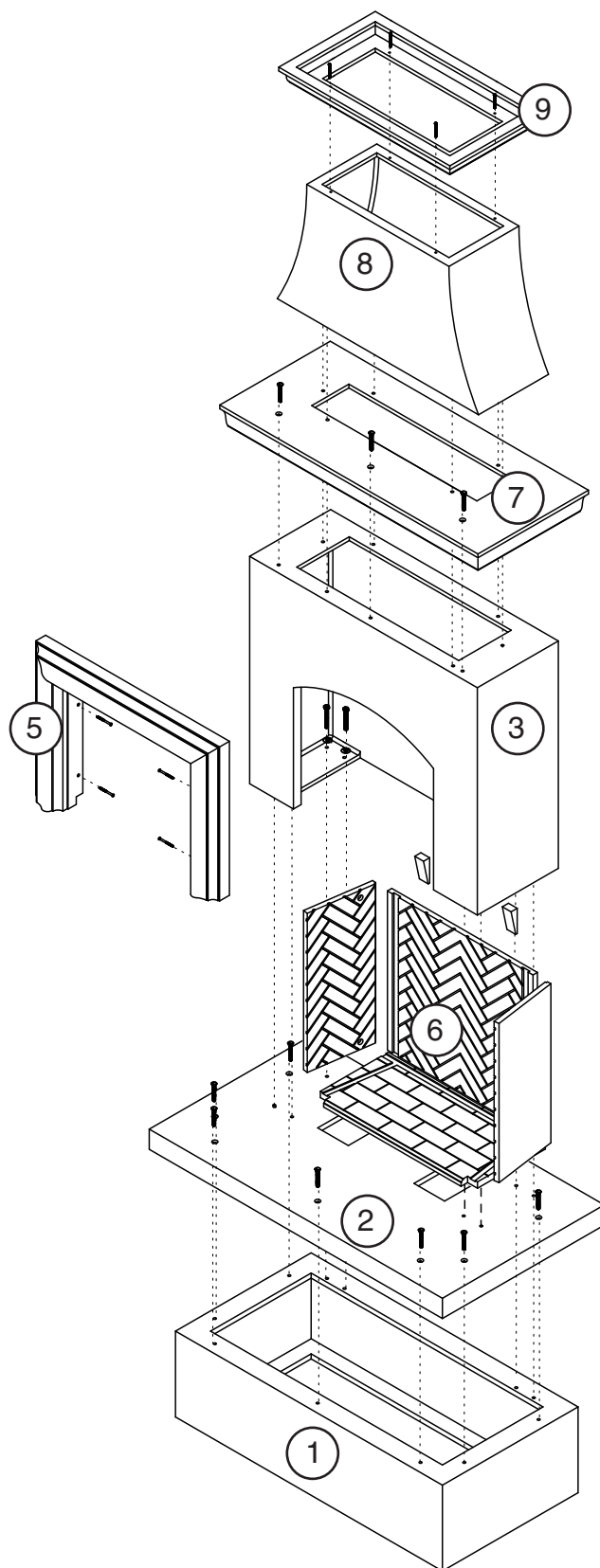
- Fig. 19-1 provides an overall orientation and bolt assembly detail for the fireplace.
(Contractor's Model with Molding shown. Assembly may slightly vary depending on model selected.)
- The Contractor's Model with Molding has the addition of a body molding and chimney top pieces.
- **This section is just an overview, refer to the following step-by-step section for complete assembly and installation details.**

ASSEMBLY / INSTALL OVERVIEW

1. Place hearth
2. Assemble shelf
3. Assemble body
4. Connect gas (not shown)
5. Assemble body moulding (if applicable)
6. Install firebox liners and shims
7. Assemble mantel
8. Assemble chimney
9. Assemble chimney top (if applicable)
10. Install finish substrate (not shown)
11. Install burner (not shown)

Contractor's Model with
Moulding Fireplace shown

Fig. 19-1
Overall Orientation



GAS SUPPLY SETUP (if applicable)

For Natural or Household Propane Gas Supply:

The gas supply is to be brought up from beneath the hearth or directly behind it. Your individual installation may vary.

Observe the National Fuel Gas Code and all local codes.

1. Ensure the gas supply is properly routed into the area that the unit will rest over.

Important: Locate the gas supply line out of pathways where people may trip over it or in areas where the line may be subject to accidental damage (if applicable).

Note: A shut-off valve (not included) in the gas line is optional. It can be installed within 6 feet of the unit and must be easily accessible. Use a pipe joint compound resistant to all gasses on all NPT fittings **except flare fittings.**

CONSTRUCT L.P. CYLINDER ENCLOSURE (if applicable)

If a propane cylinder is being used as the gas source, the fireplace does not accommodate a cylinder, and a separate propane cylinder enclosure is required. American Fyre Designs tank/end tables are available. They meet all propane cylinder enclosure and ventilation requirements. Contact your local dealer.

Alternatively, a custom-built cylinder enclosure can be constructed. Construct the enclosure according to your individual install preference, while following the guidelines found in the PROPANE CYLINDER ENCLOSURE REQUIREMENTS section.

- Construct the enclosure in an appropriate location (refer back to the LOCATION section if needed).
- **Follow all information regarding enclosure parameters, ventilation, drainage, and clearances listed in the PROPANE CYLINDER ENCLOSURE REQUIREMENTS and MINIMUM CLEARANCES sections.** Failure to do so will prevent proper operation and can cause property damage or personal injury.

Installation continued on next page

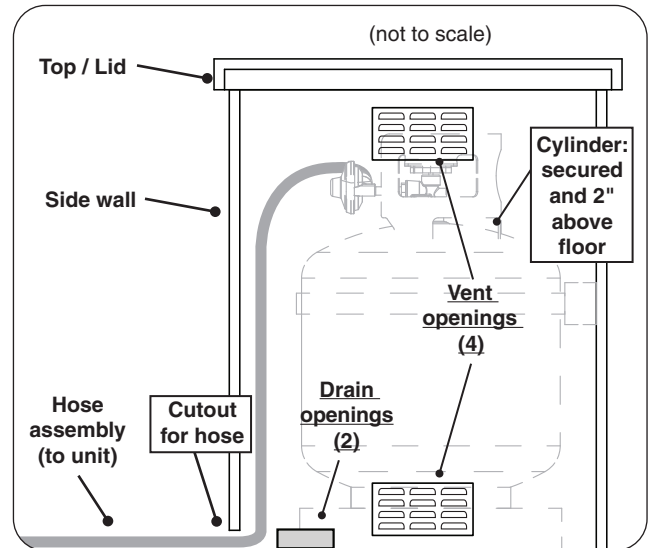


Fig. 20-1 L.P. Cylinder enclosure construction overview (if applicable)

FIREPLACE INSTALLATION (cont.)

FIREPLACE ASSEMBLY - STEP BY STEP

CAUTION: Fireplace components are heavy. **CAREFULLY** handle all components during assembly.

Important: **DO NOT** overtighten (to avoid damage to the unit).

A Contractor's Model with Molding is primarily depicted here. Your assembly may slightly vary depending on model.

Hearth and Body

1. **CAREFULLY** place the hearth piece in an appropriate location (refer back to the LOCATION section if needed). See Fig. 15-1.

2. Place the shelf piece on top of the hearth. Carefully align the pilot holes, and insert the hardware (exterior hardware kits) in the order shown in Fig. 21-2. Hand tighten, then use a 3/4" open end wrench (or equivalent) to fasten.

Note: The shelf piece has access openings that allow for assembly.

3. Place the body piece on top of the shelf. Carefully align the pilot holes, and insert the hardware (interior hardware kits) in the order shown in Fig. 21-3. Hand tighten, then use two 3/4" open end wrenches (or equivalent) to fasten.

Note: It is recommended to rest cardboard on the hearth when positioning the body (to prevent damage to the shelf surface). Remove once positioned.

Installation continued on next page

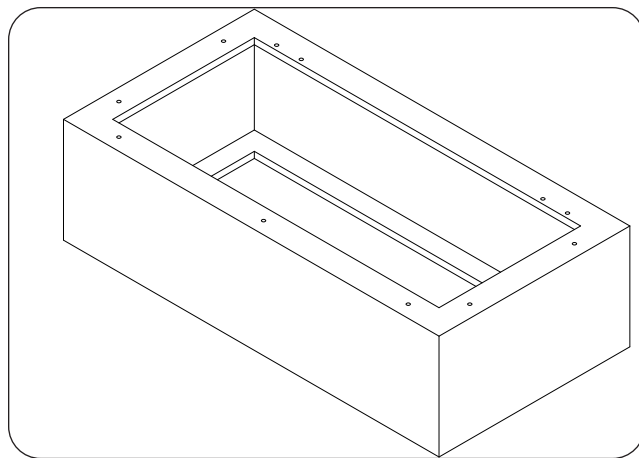


Fig. 21-1 Place hearth

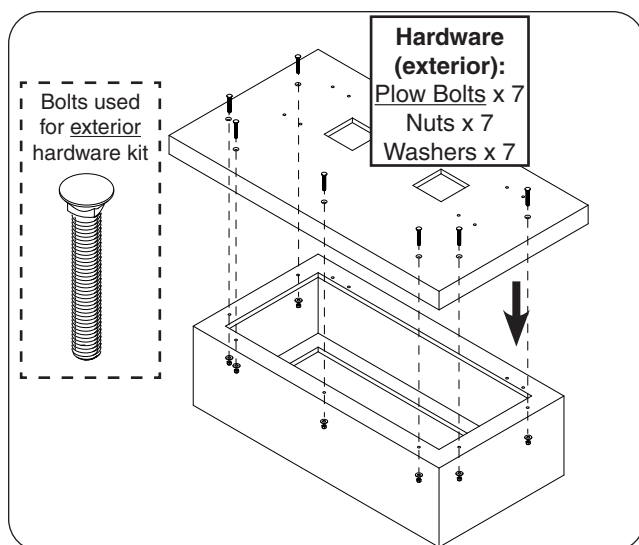


Fig. 21-2 Assemble shelf

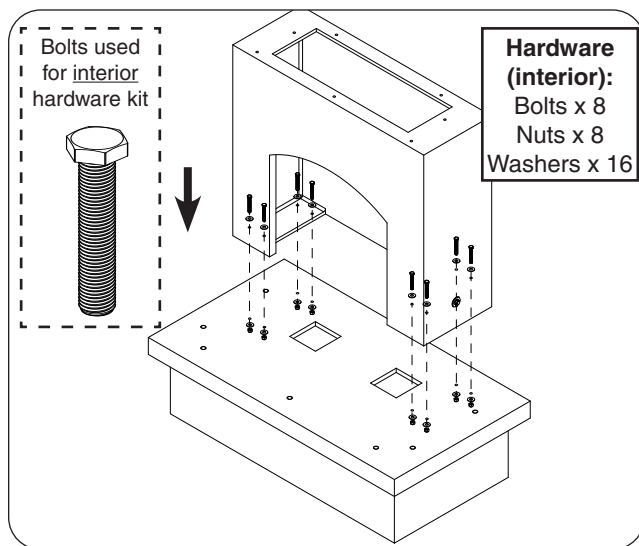


Fig. 21-3 Assemble body

FIREPLACE INSTALLATION (cont.)

Connect Gas Supply

Important: Before installation, be sure the gas supply (propane or natural) is turned off at its source.

If a propane cylinder is being used as the gas source, the unit does not accommodate a cylinder, and a separate propane cylinder enclosure is required. See the PROPANE CYLINDER ENCLOSURE REQUIREMENTS for details on American Fyre Designs tank/end tables, or custom-built enclosures. Then proceed to the steps below.

The fireplace has a key valve pre-installed on the right side of the fireplace. The fireplace has a rear gas line; a 1/2" rigid gas pipe is pre-installed to the valve and protrudes out of the rear of the unit. Additional gas components will be required. Consult a qualified professional service technician, and your local dealer. **Observe the National Fuel Gas Code and all local codes, and leak test at all connections.** Follow the guidelines below.

(A flex connector is pre-attached to the key valve on the interior of the fireplace. An R.H.P. burner is to be connected to it at a later time.)

1. Route the gas supply (natural gas, household propane, or from an L.P. Cylinder) to the unit as applicable (see Fig. 22-1).

Observe all codes and ensure all appropriate connections are used to properly connect the gas supply. Apply only joint compounds that are resistant to all gasses to all NPT fittings **except flare fittings. Make sure to tighten every joint securely and properly leak test at all connections.**

Body Moulding (if applicable)

1. Locate the moulding for the fireplace opening. Carefully mount the moulding into the opening. See Fig. 22-2.
2. Carefully align the pilot holes, and insert the hardware (body moulding hardware kits) in the order shown in Fig. 22-3. Hand tighten, then use a Phillips screwdriver to fasten.

Installation continued on next page

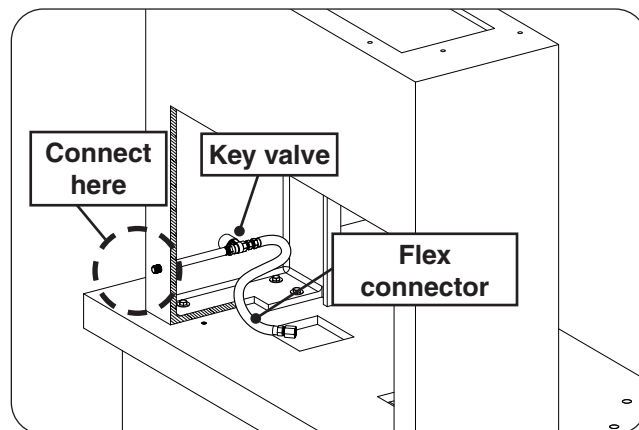


Fig. 22-1 Route gas supply

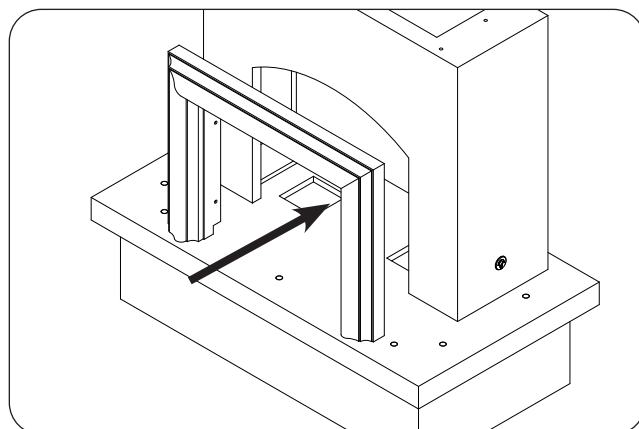


Fig. 22-2 Mount body moulding (if applicable)

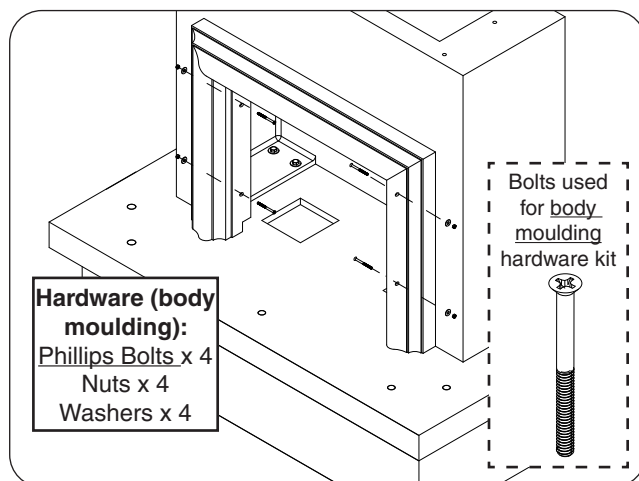


Fig. 22-3 Fasten body moulding (if applicable)

FIREPLACE INSTALLATION (cont.)

Liners

1. Install the firebox liners into the interior of the firebox in the order shown in Fig. 23-1.
 - The bottom and rear liners have grooves to assist in placement.
 - The two shims "D" are to be wedged between liner "B" and the rear wall by hand as shown. The shims secure the liner set in place.
 - Be sure to pull the flex connector inside of the fireplace body through the liner and into the open interior of the firebox (for later R.H.P. burner installation).
 - Ensure the unit's marking label plate is placed behind the side liner during installation. It is located in the interior of the firebox, and hangs from a chain on the front inner wall (valve side).
 - For Unvented Fireplaces: An additional liner / panel "E" exists and is to be installed onto the top of the firebox (through the top of the body piece).

Note: The liners rest in place. No hardware is required.

Mantel

1. Place the mantel on top of the body piece (see Fig. 23-2).
2. Carefully align the pilot holes, and insert the hardware (exterior hardware kits) in the order shown in Fig. 23-2. Hand tighten, then use a 3/4" open end wrench (or equivalent) to fasten.

Installation continued on next page

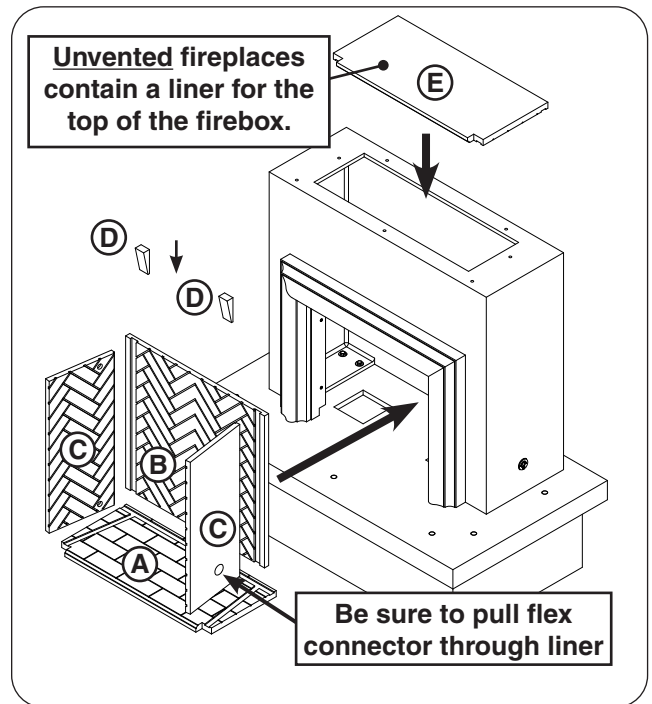


Fig. 23-1 Install firebox liners

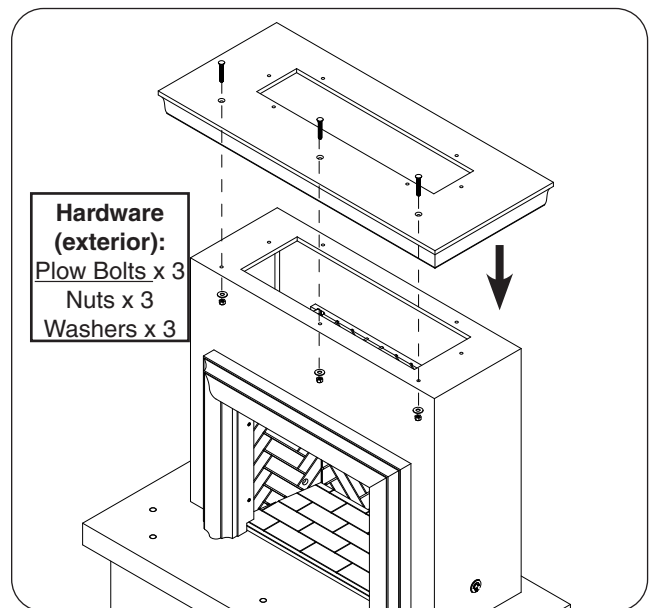


Fig. 23-2 Assemble mantel

Chimney

1. Place the chimney piece on top of the mantel piece. Carefully align the pilot holes, and insert the hardware (interior hardware kits) in the order shown in Fig. 24-1. Hand tighten, then use two $\frac{3}{4}$ " open end wrenches (or equivalent) to fasten.
2. Place the chimney top piece (if applicable) on top of the chimney piece. Carefully align the pilot holes, and insert the hardware (chimney top hardware kits) in the order shown in Fig. 24-2. Hand tighten, then use two $\frac{1}{2}$ " open end wrenches (or equivalent) to fasten.

Install Finishing Substrate

Install the finishing substrate as appropriate. CONSULT A PROFESSIONAL CONTRACTOR FOR YOUR INDIVIDUAL SETUP.

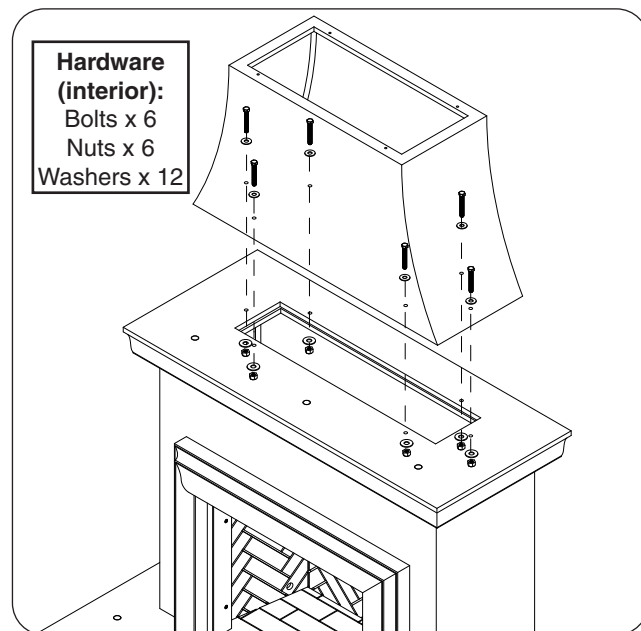


Fig. 24-1 Assemble chimney

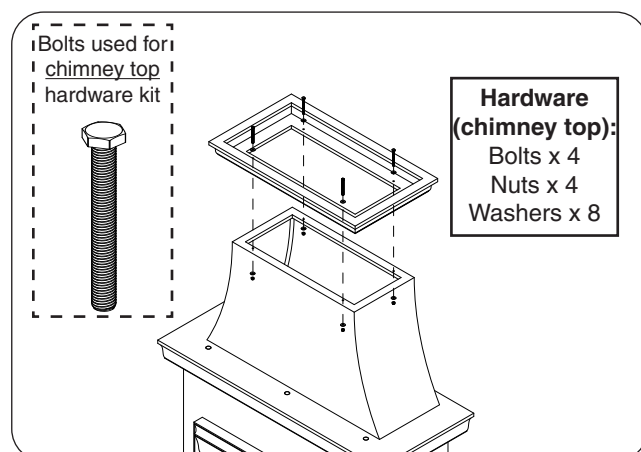


Fig. 24-2 Assemble chimney top (if applicable)

BURNER INSTALLATION GUIDELINES

This fireplace is designed to be installed with an R.H.P. vented/unvented gas appliance. The gas appliance is purchased separately. Follow all owner's manuals included with the appliance and decorative media to complete installation.

Important: When installing the gas appliance to a propane gas supply, the appliance must have a valve and pilot assembly attached/installed. Propane burners may not be installed as a match-lit unit.

Note: The gas appliance will come equipped with a flex connector. Remove that connector, and connect the existing fireplace flex connector to the appliance.

Make sure to tighten every joint securely.

LEAK TEST

REFER TO THE BURNER OWNER'S MANUAL FOR DETAILS ON LEAK TESTING. If a leak persists, turn off the gas supply and contact the local gas company or dealer. **NEVER USE A FLAME TO CHECK FOR LEAKS.**

DIRECTIVES DE L'ÉCLAIRAGE

POUR VOTRE SÉCURITÉ, LIRE AVANT D'ALLUMER

AVERTISSEMENT: SI VOUS NE SUIVEZ PAS CES INSTRUCTIONS À LA LETTRE, UN INCENDIE OU UNE EXPLOSION POURRAIENT S'ENSUIVRE, CAUSANT DES DOMMAGES MATÉRIELS, DES BLESSURES OU DES PERTES DE VIE.

- A. AVANT D'ALLUMER**, sentez tout autour de l'unité de surface pour le gaz. Assurez-vous de sentir près du plancher, car certains gaz sont plus lourds que l'air et se déposent sur le sol.
- B. QUE FAIRE SI UNE ODEUR DE GAZ**
1. Coupez le gaz à l'appareil.
 2. Éteindre toute flamme nue.
 3. Si l'odeur persiste, appelez immédiatement votre fournisseur de gaz ou le service des incendies.
- C.** Utilisez seulement votre main pour enfoncer ou tourner le bouton de commande de gaz sur l'appareil. Ne jamais utiliser d'outils. Si le bouton ne sera pas enfoncer ou à tourner à la main, NE PAS essayer de le réparer. Appelez un technicien de service qualifié. Force ou une tentative de réparation pourrait provoquer un incendie ou une explosion.

D'ALLUMER L'APPAREIL

1. **ARRÊT!** Lisez les consignes de sécurité ci-dessus.
2. Suivez les instructions d'allumage figurant dans le manuel du propriétaire fourni avec votre RHP Dispositif à gaz.

POUR ARRÊTER LE GAZ À L'APPAREIL

Pour éteindre votre appareil à gaz, suivez les instructions d'arrêt figurant dans le manuel du propriétaire fourni avec votre appareil à gaz RHP.

Si nécessaire, le gaz peut être immédiatement arrêté en insérant la clé dans la valve clé (qui se trouve sur le côté gauche ou à droite de la cheminée) et en tournant la vanne dans le sens horaire $\frac{1}{4}$ " se tourner vers la position OFF (ÉTEINDRE). Assurez-vous que le bouton de commande est tourné complètement éteint pour éviter toute fuite de gaz.

LIGHTING GUIDELINES

FOR YOUR SAFETY, READ BEFORE LIGHTING

WARNING: IF YOU DO NOT FOLLOW THESE INSTRUCTIONS EXACTLY, A FIRE OR EXPLOSION MAY RESULT, CAUSING PROPERTY DAMAGE, PERSONAL INJURY, OR LOSS OF LIFE.

- A. BEFORE LIGHTING**, smell all around the unit area for gas. Be sure to smell next to the floor, because some gas is heavier than air and will settle on the floor.
- B. WHAT TO DO IF YOU SMELL GAS**
1. Shut off the gas to the appliance.
 2. Extinguish any open flame.
 3. If odor continues, immediately call your gas supplier or the fire department.
- C.** Use only your hand to push in or turn the gas control knob on the appliance. Never use tools. If the knob will not push in or turn by hand, **DO NOT** try to repair it. Call a qualified professional service technician. Force or attempted repair may result in fire or explosion.
-

TO LIGHT THE APPLIANCE

1. **STOP!** Read the safety information above.
2. Follow the lighting instructions found in the owner's manual provided with your R.H.P. gas appliance.

TO SHUT OFF GAS TO THE APPLIANCE

To extinguish your gas appliance, follow the shut-off instructions found in the owner's manual provided with your R.H.P. gas appliance.

If required, the gas can be immediately shut-off by inserting the key into the key valve (found on the left or right side of the fireplace) and turning the valve clockwise a $\frac{1}{4}$ " turn to the OFF position. Be sure the control knob is turned fully off to avoid any gas leakage.

SERVICING AND CLEANING

Each installation site for any unit presents its own unique combustion environment. Specific factors such as weather, wind currents, yard debris, altitude, drafts, the size of the surrounding area, all have an influence on the proper operation of the gas appliance. A normally operating appliance will demonstrate the following characteristics:

- A lively, realistic yellow flame
- Odor-free

If the flame is not clean (identifiable by excessive sooting on the decorative media), refer to the information below. Some soot on the media may occur and should not be a concern unless excessive.

- Cover your fireplace opening whenever it is not in use, and follow the guidelines below at least annually.

ANNUAL CLEAN / INSPECTION GUIDELINES

The fireplace, gas appliance, and installation must be inspected annually. Refer to these instructions and the appliance owner's manual for details. Performing these procedures will ensure proper operation, appearance, and safety. WEAR GLOVES.

If maintenance is required, it must be done by a qualified professional service technician.

- Always shut off the gas to the appliance while performing service work.
- Allow the appliance to cool before servicing.
- The entire appliance should be inspected regularly:

Excessive debris can build up on the fireplace or appliance from leaves, dirt, or other debris. It is critical that all control components, burners, vent openings, and the surrounding area be kept clear and free at all times.

Examine that all components are properly assembled / installed as instructed in this manual and the appliance owner's manual.

Ensure that all decorative media is properly placed as instructed in the appliance owner's manual.

Ensure that all gas lines, burner tubes, burner ports, and the orifice are clear of insects, insect nests, spiderwebs, and any debris.

- The appliance must be replaced prior to being put into operation if it is evident that the appliance is damaged. Contact your local dealer for replacement parts.
- DO NOT use substitute materials when replacing any components of the fireplace or appliance.
- **Keep the vent openings and surrounding area of the fireplace clear and free at all times.**
- Periodically perform visual checks of the burner flames. The burner flames should be blue at the base with a combination of blue/yellow at the body and tips. Contact a qualified professional service technician for maintenance.
- **To maintain the concrete components**, see the CONCRETE CARE section for details.
- Any guard or other protective device removed for servicing the appliance shall be replaced prior to operating the appliance.
- Verify proper operation after servicing.

CAUTION: HOT DURING OPERATION AND AFTER USE. Children must be supervised when in the vicinity of this fireplace. Serious injury may occur! Children must be alerted to the hazard of high surface temperatures and should stay away to avoid burns or clothing ignition.

CONCRETE CARE

As with any surface, concrete components require regular maintenance and care. Certain guidelines must be followed to preserve the concrete's appearance and structural integrity.

- **Scratches may occur due to usage.** To minimize, avoid striking or dragging heavy, rough, or sharp objects across the unit.
- **Spotting and hairline cracks may occur due to nature of product and are not considered a manufacturing defect.**
- **Concrete products are porous and susceptible to discoloration from liquids (especially oils and acidic substances).** During use, clean up any spills immediately to prevent any possible staining or damage to the finish. Avoid allowing water (or any liquid / substance) to stand on the surface.
- **To clean the concrete, first wash with a mild soap and water solution. For stubborn stains, a vinyl brush may be used. Allow to dry. Annually, follow up with a masonry sealer in order to preserve the finish.**
- It should be noted that, like natural stone, concrete products will develop a patina when left outside. No two concrete products are identically the same and the finish will vary.

TROUBLESHOOTING

If you have trouble with your gas appliance, please refer to the owner's manual provided with it. By trying one or more of the solutions to the probable cause, you should be able to solve the problem. If the manual does not address your present problem, or if you have other technical difficulties with your appliance, please contact your local dealer or visit our web site at www.rhpeterson.com.

WARRANTY

AMERICAN FYRE DESIGNS BY R. H. PETERSON CO. LIMITED WARRANTY

Robert H. Peterson Co. ("RHP") warrants your American Fire Designs product to be free from defects in material and workmanship. American Fyre Designs ("AFD") exterior Glass Fiber Reinforced Concrete (GFRC) fire features ("products"), burners, logs, and stainless steel firepit burners for outdoor installation are warranted for **THREE (3) YEARS**.

All AFD valves, electrical components, accessories and controls are warranted for **ONE (1) YEAR** (excluding batteries, wind guards and screens).

This warranty **does not** apply to: product damage caused by burning wood or any fuel other than natural gas or propane; or damage or discoloration to product used in high wind conditions.

A COPY OF YOUR SALES SLIP FOR PROOF OF PURCHASE IS REQUIRED

This warranty applies to the original purchaser for products which are installed in the United States or Canada and which are operated and maintained as intended. This warranty is valid only with proof of purchase, commence on the date of purchase, and terminates (both as to original and any replacement products) on the anniversary date of the original purchase of the product per the above schedules.

This warranty covers defects in material and workmanship. This warranty **does not** cover parts which become defective as a result of negligence, misuse, use not in compliance with the Installation and Owner's Manual, accidental damage, improper handling, improper storage, improper installation, **lack of required routine maintenance** (as specified in the Installation and Owner's Manual), electrical damage, local gas impurities or failure to protect against combustibles. Product must be installed (and gas must be connected) as specified in the Installation and Owner's Manual by a **qualified professional installer**. Modifications to products which are not specifically authorized will void this warranty. Accessories, parts, valves, remotes, etc. when used must be Peterson products or this warranty is void. Warrantied items will be repaired or replaced at Peterson's sole discretion. This warranty **does not** apply to rust, corrosion, oxidation, or discoloration unless the affected part becomes inoperable.

This warranty **does not** cover labor or labor related charges, except as provided by separate specific written programs from the Peterson Co. All repair work must be performed by a qualified professional service person and requires prior approval of Peterson.

Peterson may require the defective product or part to be returned to the factory to determine the cause of failure. Peterson will pay freight charges if the product or part is determined to be defective. This warranty does not cover breakage in shipment from our (Independent) distributor to its customer if the damage is determined to have occurred during that shipment.

This warranty specifically excludes liability for **indirect, incidental**, or consequential damages. Some states and provinces do not allow the exclusion or limitation of incidental or consequential damages, so the above exclusion may not apply to you. This warranty gives you specified legal rights, and you may have other rights that vary from state to state or province.

For additional information regarding this warranty, or to place a warranty claim, contact the R. H. Peterson dealer where the product was purchased.

When contacting your Peterson dealer or the R. H. Peterson Co., please provide the following information:

- Your name, address, telephone number, e-mail
- Sales receipt showing where purchased and date purchased
- Model number, serial number of product, date code
- Relevant information: installer, additions, repairs, when defect was first noted

**TO REGISTER YOUR PRODUCT ONLINE GO TO: WWW.RHPETERSON.COM,
AND CLICK ON PRODUCT REGISTRATION. THANK YOU FOR YOUR PURCHASE.**

| | |
|-------------------------|--------------------|
| Quality Check | Date: _____ |
| Model#: _____ | |
| Serial#: _____ | |
| Inspector: _____ | |